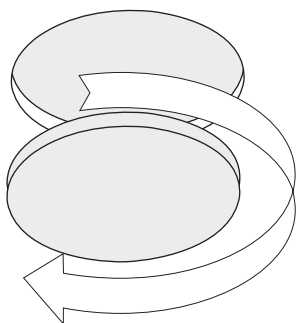


EVAC 50 Voice evacuation metal ceiling loudspeakers

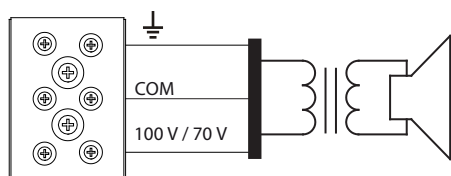
INSTALLATION MANUAL

①



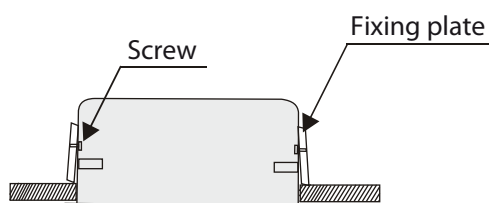
1. Cut out Ø 159 mm hole

②



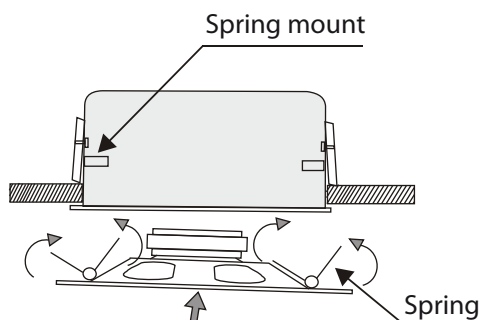
2. Connect the speaker to the speaker line

③



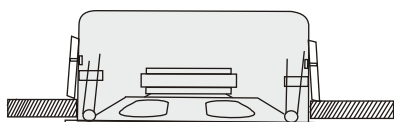
3. Loosen the screw, push the fire dome into the ceiling.
Tighten the screw

④



4. Attach the spring to the mount

⑤



5. Push the speaker into the fire dome