

BTX-SKYRAN

DESCRIPTION

Impressive hexagonal eye candy multi effect fixture, combining powerful blinders with pixel-controlled strobe and RGB-lines to create amazing effects. Developed for use on concert stages, TV-studios,...

FEATURES

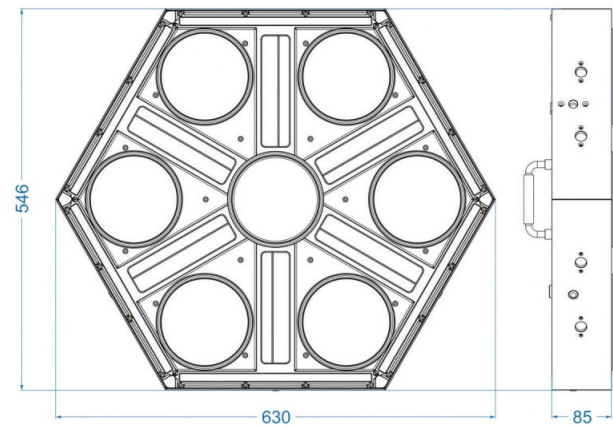
- > This impressive new projector is developed for use on concert stages, TV-studios, ...
- > Hexagonal eye candy multi effect fixture: Blinder, strobe and RGB pixel mapping effects: all-in-1:
 - > 7 powerful 80W WW+A COB LEDs, behind beautiful flower lenses, emulate powerful classic tungsten blinders
 - > 6 powerful strobe lines with totally 120 individual addressable high efficiency 3W white LEDs
 - > Extensive RGB section with 604 individually addressable 0.5W RGB LEDs divided into 3 zones:
 - > RGB LEDs behind the blinder lenses create stunning and dynamic aura effects
 - > 6 dynamic RGB pixel lines mark the contours of the effect projector
 - > 6 additional RGB pixel lines create amazing star-shaped effects
- > Full pixel control via Art-Net or sACN or through the internal, DMX-controlled, effects engine.
- > Uses 12, 15, 31, 36, 37, 130, 169, 196 or 1952 DMX channels + RDM-functionality for easy remote setup.
- > Led refresh rate selectable between 1200Hz and 25000Hz.
- > Quick lock system for easily mounting multiple units together in an attractive grid.
- > OLED with touch buttons for easy navigation.
- > 3 and 5pin DMX in/out + RJ45 in/out.
- > Seetronic IP65 True1 compatible power in/outputs.
- > Easy software upgrades can be done using the RJ45 network input.
- > Designed for use with optional Briteq omega brackets (B02677) for quick installation.



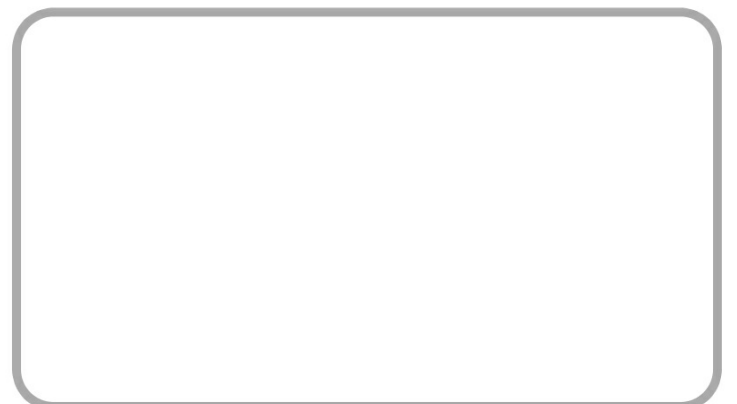
Note: registered model design

TECHNICAL SPECIFICATIONS

General : Dimensions (cm)	63 x 54.6 x 8.5
General : Weight (kg)	13.8
General : Powerinput	AC 100 - 240V, 50/60Hz
General : Energy Label	No
General : Power consumption W	1400
General : Color	black
General : Display	OLED
General : Fixation	optional omega bracket
General : IP rating	indoor
Control : Modes	DMX
Control : Protocol	Art-Net, sACN, DMX, RDM
Control : programmable	No
Control : upgradable software	Yes
Control : minimum DMX channels	12
Control : maximum DMX channels	1952
Light : lamp socket	No
Light : lamp	LED
Light : min. color temperature (K)	1800
Light : max. color temperature (K)	3200
Light : colors	Amber, RGBWA
Light : mix colors	Yes
Light : max. refresh rate (kHz)	25
Connections : input	3 pin XLR, 5 pin XLR, artnet, RJ45, rdm, PowerCon® TRUE1 or compatible
Connections : output	3 pin XLR, 5 pin XLR, artnet, RJ45, rdm, PowerCon® TRUE1 or compatible
Brand	BRITEQ
EANCode	5420025655774
SKU	B05577



YOUR DEALER



WWW.BRITEQ-LIGHTING.COM | WWW.FACEBOOK.COM/BRITEQ

BEGLEC NV HAS THE RIGHT TO CHANGE PRODUCTS AND SPECIFICATIONS WITH AND WITHOUT NOTICE. MAJOR AS WELL AS MINOR CHANGES CAN BE INVOLVED. THIS LEAFLET CAN CONTAIN ERRORS, THEREFORE WE ADVISE TO CONSULT YOUR LOCAL DEALER TO ENSURE THAT ACTUAL FEATURES AND SPECIFICATIONS MATCH YOUR REQUIREMENTS. COPYRIGHT © 2024 BY BEGLEC NV. ALL RIGHTS RESERVED.