

# 19" DYNAmic Basic

## Free Standing Cabinets

Width: 600 mm  
Depth: 800 mm

**Load Capacity: 600 kgs.**

**U Height: 22U, 26U, 32U  
36U, 42U, 47U**

### Standards and Compliances:



**ISO 9001**  
Quality Management System

EN 61587-1  
Mechanical Structures for  
Electronic Equipment

EN IEC 60297, 19" Mounting  
EN IEC 60917 Overall Cabinet  
Dimensions

EN/IEC 60529 - IP20 Ingress Protection  
performance

EN/IEC 62262 - IK07 Mechanical  
Impact Resistance

EIA/ ECA-310 (D/E) 19" 482,6 mm  
and U 44,45 mm Height Sizing



**CE conform to**  
EN 60950-1  
Information Technology  
Equipment, Safety,  
Part-1: General Requirement

EN IEC 62368-1 Audio/Video, Information  
and Communication Technology  
Equipment  
Part 1: Safety requirements



**UL listed to**  
UL 2416, Outline of Investigation for  
Audio/Video, Information and  
Communication Technology Equipment  
Cabinet, Enclosure and Rack  
Systems; UL 60950-1 and CSA C22.2  
NO. 60950-1-07, Information Technology  
Equipment Safety  
Part 1: General Requirements



**Environment Friendly;**  
ISO 14001 Environmental  
Management System  
RoHS compliancy  
%100 Recyclable Material

### Standard Color:



RAL 7035 Light Grey



RAL 9005 Black



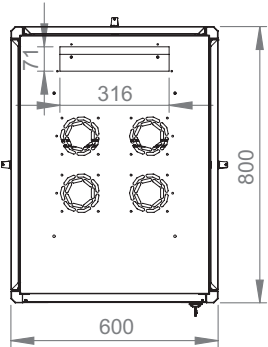
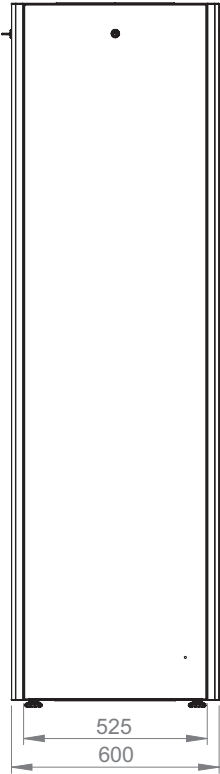
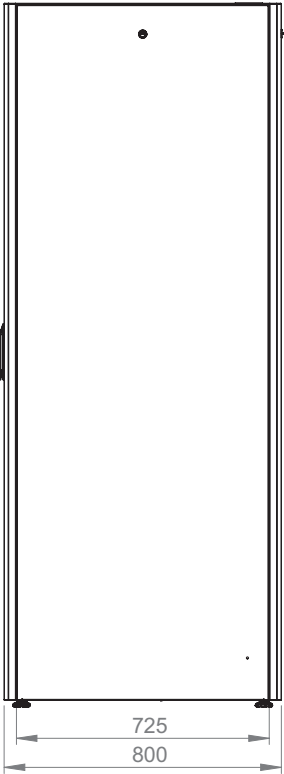
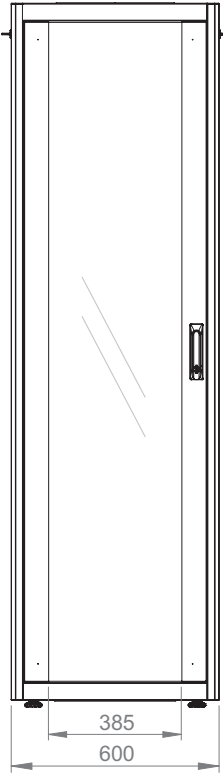
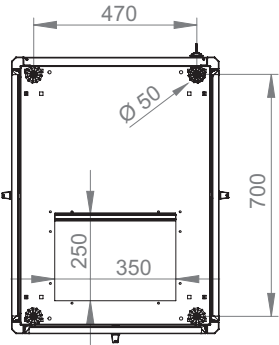
DYNAmic Series Networking Enclosures, with 19" w:600 mm and d:800 mm physical sizes, with max internal usable depth and 6 different height, gives a wide selection for users.

# 19" DYNAmic Basic

## Free Standing Cabinets

Width: 600 mm  
Depth: 800 mm

### Construction Drawings

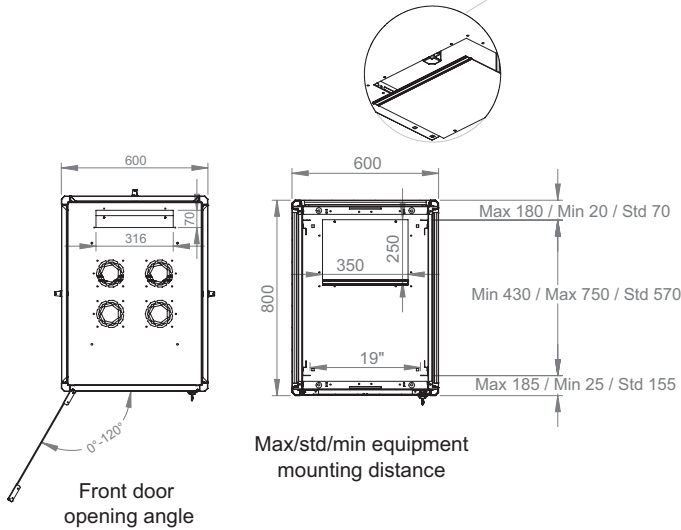
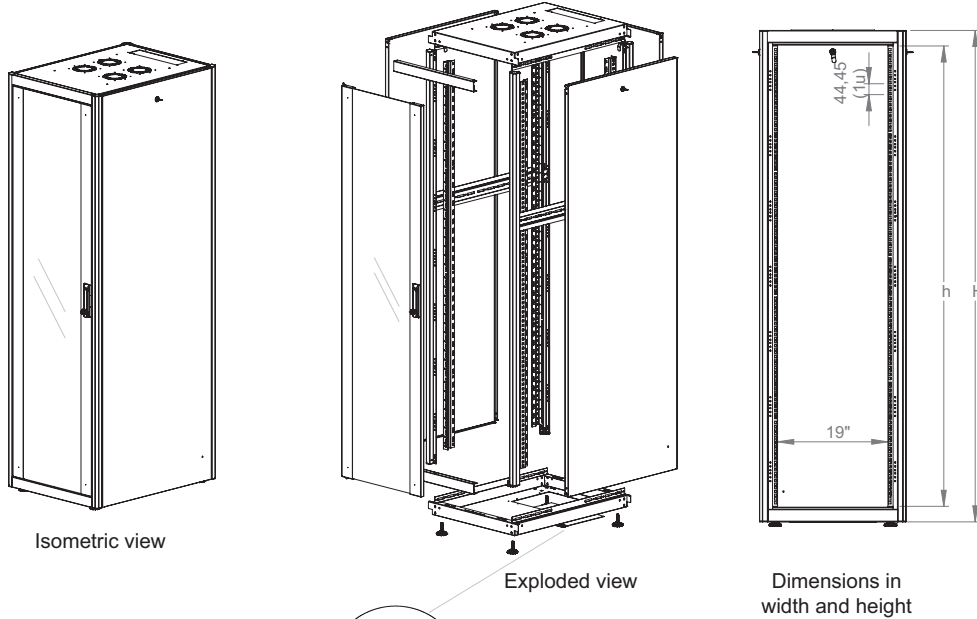


# 19" DYNAmic Basic

## Free Standing Cabinets

**Width: 600 mm**  
**Depth: 800 mm**

### Construction Drawings



	h	H
22U	978 mm	1125 mm
26U	1155 mm	1300 mm
32U	1422 mm	1560 mm
36U	1600 mm	1744 mm
42U	1867 mm	2010 mm
47U	2089 mm	2236 mm

### 19" DYNAmic Basic Series Free Standing Cabinets W=600 mm D=800 mm

Product Number***	Product Description	Size WxDxH mm	h Size in U	h in mm	*H mm, overall without feet and/or castor	Width Overall mm	Width Rail to Rail	Depth Overall mm	**Depth Shipping Conf. Rail to Rail mm	QTY IN PACKAGE	PACKING DIMENSIONS WxDxH mm	Standard NET Weight of Product kgs	Gross Weight of Product kgs	QTY IN PALLET	PALLET DIMENSIONS WxDxH mm	Pallet Weight kgs
LN-DB22U6080-CC	22U 19" free standing cabinet W=600 mm D=800 mm	600x800x1125	22U	978	1125	600	19"	800	570	1	680x880x1265	51	53,6	1	680x880x15	61,6
LN-DB26U6080-CC	26U 19" free standing cabinet W=600 mm D=800 mm	600x800x1300	26U	1155	1300	600	19"	800	570	1	680x880x1440	59	62	1	680x880x15	70
LN-DB32U6080-CC	32U 19" free standing cabinet W=600 mm D=800 mm	600x800x1560	32U	1422	1560	600	19"	800	570	1	680x880x1700	68	70	1	680x880x15	78
LN-DB36U6080-CC	36U 19" free standing cabinet W=600 mm D=800 mm	600x800x1744	36U	1600	1744	600	19"	800	570	1	680x880x1850	78	80	1	680x880x15	86
LN-DB42U6080-CC	42U 19" free standing cabinet W=600 mm D=800 mm	600x800x2010	42U	1867	2010	600	19"	800	570	1	680x880x2150	81,6	85	1	680x880x15	93
LN-DB47U6080-CC	47U 19" free standing cabinet W=600 mm D=800 mm	600x800x2236	47U	2089	2236	600	19"	800	570	1	680x880x2410	89	91	1	680x880x15	99

\* Please add 30 mm to H mm if used with adjustable feet, add 80 mm to H mm if castor set are used.

\*\* See min and max adjustable depth variations on drawings.

\*\*\* CC= LG for Light Grey RAL 7035 & BL for Black RAL 9005 for customers to define while ordering.

\*\*\*\* Unless defined delivery is in flat pack, please add A notation to the part number for assembled delivery ie. LN-DB22U6080-CC-A

\*\*\*\*\* The logistical information provided in above chart is based on assembled product since packing details of flat-pack is changing based on transport vehicle and the delivery location.

Please consider delivery notes, packing lists and recent data provided with the logistics services of Lande.