



AIR06T



2-way passive loudspeaker, 120W AES, 116dB SPL

LOUDSPEAKERS

- System type: passive 2 way

COMPONENTS

- Low frequency: 6" woofer/1.5"v.c.
- High frequency: 1" driver/1"v.c.

FEATURES

- AES/program power: 120/240W
- Input 100 V: 30/60/120W
- SPL max: 116dB @1m (free field)

ACOUSTICAL SPECIFICATIONS

- Sensitivity: 89dB
- Impedance: 16
- SPL cont/peak: 110/116dB
- Frequency response: 60-18.000Hz
- Coverage angle HxV: 90x60°
- Cross over frequency: 2400Hz
- Protection: H.F. signal compression
- Suggest HPF range: 140/180Hz
- Recommended amplifier up to: 480W

INPUT/OUTPUT CONNECTORS

- Screw terminal IN/OUT: phoenix
- Input signal: Phoenix IN/OUT

CABINET CONSTRUCTION

- Cabinet material: polypropilene
- Sospension system: wall brackets (included)

PHYSICAL

- IP rating: 46 for outdoor events
- Dimensions (WxHxD): 182x362x224mm
- Weight: 7.2kg



AIR06X



2-way passive loudspeaker, 120W AES, 116dB SPL

LOUDSPEAKERS

- System type: passive 2 way

COMPONENTS

- Low frequency: 6" woofer/1.5"v.c.
- High frequency: 1" driver/1"v.c.

FEATURES

- AES/program power: 120/240W
- SPL max: 116dB @1m (free field)

ACOUSTICAL SPECIFICATIONS

- Sensitivity: 89dB
- Impedance: 16
- SPL cont/peak: 110/116dB
- Frequency response: 60-18.000Hz
- Coverage angle HxV: 90x60°
- Cross over frequency: 2400Hz
- Protection: H.F. signal compression
- Suggest HPF range: 140/180Hz
- Recommended amplifier up to: 480W

INPUT/OUTPUT CONNECTORS

- Screw terminal IN/OUT: phoenix

CABINET CONSTRUCTION

- Cabinet material: polypropilene
- Sospension system: wall brackets (included)

PHYSICAL

- IP rating: 46 for outdoor events
- Dimensions (WxHxD): 182x362x224mm
- Weight: 6.2kg



AIR08T



2-way passive loudspeaker, 180W AES, 122dB SPL

LOUDSPEAKERS

- System type: passive 2 way

COMPONENTS

- Low frequency: 8" woofer/2"v.c.
- High frequency: 1" driver/1"v.c.

FEATURES

- AES/program power: 180/360W
- Input 100 V: 45/90/180W
- SPL max: 122dB @1m (free field)

ACOUSTICAL SPECIFICATIONS

- Sensitivity: 94dB
- Impedance: 16
- SPL cont/peak: 116/122dB
- Frequency response: 60-18.000Hz
- Coverage angle HxV: 90x50°
- Cross over frequency: 2300Hz
- Protection: H.F. signal compression
- Suggest HPF range: 140/180Hz
- Recommended amplifier up to: 720W

INPUT/OUTPUT CONNECTORS

- Screw terminal IN/OUT: phoenix
- Input signal: Phoenix IN/OUT

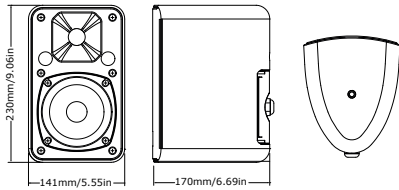
CABINET CONSTRUCTION

- Cabinet material: polypropilene
- Sospension system: wall brackets (included)

PHYSICAL

- IP rating: 46 for outdoor events
- Dimensions (WxHxD): 241x450x285mm
- Weight: 10.8kg

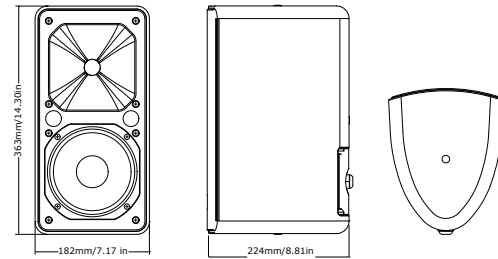
AIR04T / AIR04X - Technical Drawings



Optional accessories

AIRWB46: Wall-mount ABS support for AIR04/AIR06 acoustic speakers.

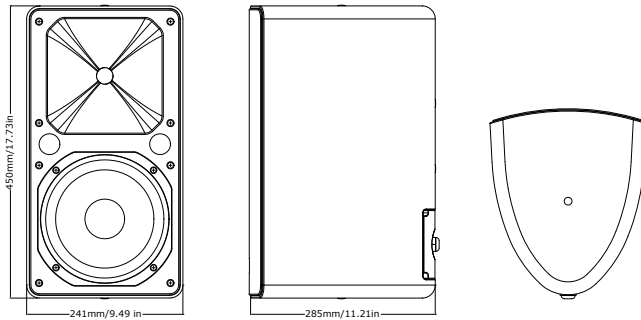
AIR06T / AIR06X - Technical Drawings



Optional accessories

AIRWB46: Wall-mount ABS support for AIR04/AIR06 acoustic speakers.

AIR08T / AIR08X - Technical Drawings



Optional accessories

AIRWB80: Wall-mount metal support for AIR08 acoustic speakers.

AIR08TCOAX - Technical Drawings

