

COMPACT series

Compact series of speakers have been designed for audio installations requiring clear reproduction of music and speech, featuring compact and sturdy cases, elegant design and easy installation. Two-way speakers with constant directivity, compact series are suitable for constant-voltage (70/100V) or constant-impedance (8 Ohm) systems. Woofers are made of polypropylene, high-excursion. Tweeters, equipped with Mylar domes diaphragm, are mounted on constant-directivity horns, providing natural and smooth sound reproduction. Available in white or black colour, compact speakers allow easy and quick installation by using the included adjustable mounting brackets.

- Built-in, multi-tap constant voltage transformer.
- Switch to select constant-voltage (70/100V) or constant-impedance (8 Ohm) modes.
- Built-in low-inductance passive crossover.
- Semispherical body made of high-density polyurethane, scratch-proof, lightweight and UV resistant.
- Protective perforated steel grille.
- Connections by terminals with screw fixing.
- Available colours: black, white.
- Adjustable wall bracket included.



COMPACT44T



2-way Loudspeaker with bracket, 15W/8ohm or 20-10-5W/100V

LOUDSPEAKERS

- System type: passive 2 way

COMPONENTS

- Low frequency: 4"
- High frequency: 1.5"

FEATURES

- AES/program power: 20/40W
- Input 100 V: 5-10-20W

ACOUSTICAL SPECIFICATIONS

- Sensitivity: 87dB @1W/1m (free field)
- Impedance: Low impedance 8 Ohm
- Constant voltage: 70/100 V
- Frequency response: 80÷18.000Hz (±3dB)

INPUT/OUTPUT CONNECTORS

- Input signal: screw terminal

PHYSICAL

- Dimensions (WxHxD): 145x250x165mm
- Weight: 1.45kg



COMPACT55T



2-way Loudspeaker with bracket, 20W/8ohm or 40-20-10W/100V

LOUDSPEAKERS

- System type: passive 2 way

COMPONENTS

- Low frequency: 5.2"
- High frequency: 1.5"

FEATURES

- AES/program power: 40/80W
- Input 100 V: 10-20-40W

ACOUSTICAL SPECIFICATIONS

- Sensitivity: 89dB @1W/1m (free field)
- Impedance: Low impedance 8 Ohm
- Constant voltage: 70/100 V
- Frequency response: 80÷18.000Hz (±3dB)

INPUT/OUTPUT CONNECTORS

- Input signal: screw terminal

PHYSICAL

- Dimensions (WxHxD): 165x302x172mm
- Weight: 3.40kg



COMPACT66T



2-way Loudspeaker with bracket, 30W/8ohm or 60-30-15W/100V

LOUDSPEAKERS

- System type: passive 2 way

COMPONENTS

- Low frequency: 6.5"
- High frequency: 1.5"

FEATURES

- AES/program power: 60/120W
- Input 100 V: 15-30-60W

ACOUSTICAL SPECIFICATIONS

- Sensitivity: 90dB @1W/1m (free field)
- Impedance: Low impedance 8 Ohm
- Constant voltage: 70/100 V
- Frequency response: 65÷18.000Hz (±3dB)

INPUT/OUTPUT CONNECTORS

- Input signal: screw terminal

PHYSICAL

- Dimensions (WxHxD): 205x344x202mm
- Weight: 3.80kg



COMPACT88T



2-way loudspeaker with bracket, 60W/8ohm or 80-40-20W/100V

LOUDSPEAKERS

- System type: passive 2 way

COMPONENTS

- Low frequency: 8"
- High frequency: 1.5"

FEATURES

- AES/program power: 80/160W
- Input 100 V: 20-40-80W

ACOUSTICAL SPECIFICATIONS

- Sensitivity: 91dB @1W/1m (free field)
- Impedance: Low impedance 8 Ohm
- Constant voltage: 70/100 V
- Frequency response: 60÷18.000Hz (±3dB)

INPUT/OUTPUT CONNECTORS

- Input signal: screw terminal

PHYSICAL

- Dimensions (WxHxD): 261x445x275mm
- Weight: 7.46kg



DS40T

Micro speaker, ideal for high-fidelity sound reproduction designed for ceiling mounting.

LOUDSPEAKERS

- System type: ceiling speaker

COMPONENTS

- Full range: 4"

FEATURES

- AES/program power: 3/6W
- Input 100 V: 1.5/3W

ACOUSTICAL SPECIFICATIONS

- Sensitivity: 90dB @1W/1m (free field)
- Constant voltage: 70/100 V
- Frequency response: 160÷20.000Hz (±3dB)

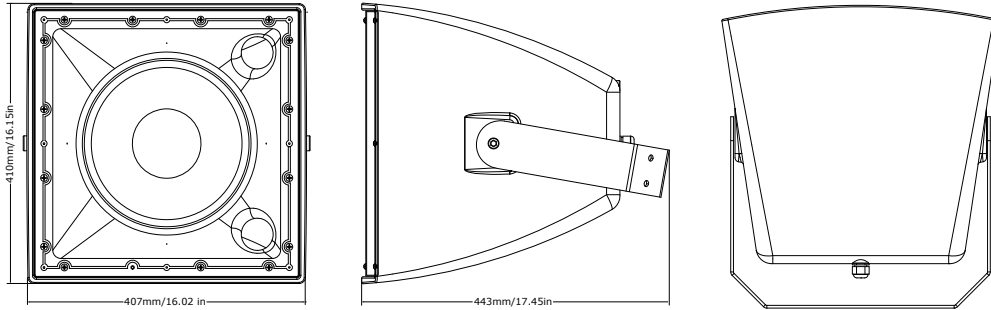
INPUT/OUTPUT CONNECTORS

- Input signal: terminal with wire

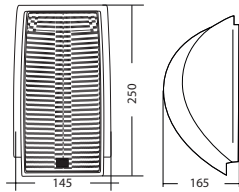
PHYSICAL

- Weight: 0.35kg

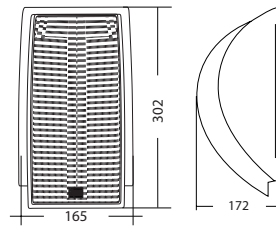
AIR12TCOAX - Technical Drawings



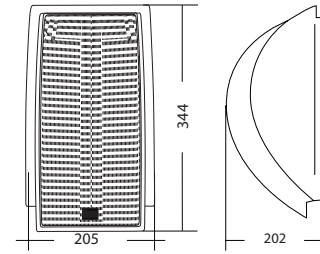
COMPACT44T - Technical Drawings



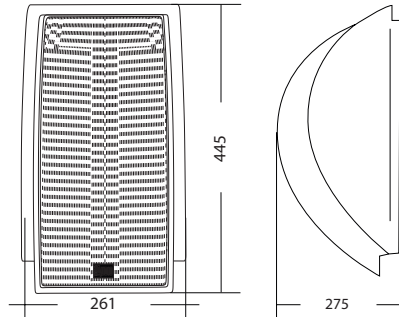
COMPACT55T - Technical Drawings



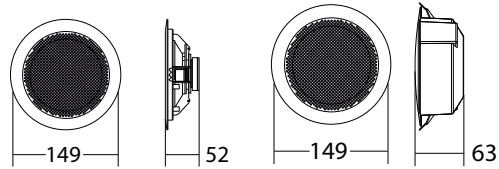
COMPACT66T - Technical Drawings



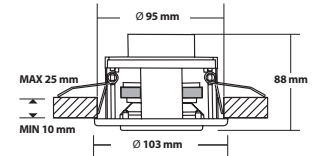
COMPACT88T - Technical Drawings



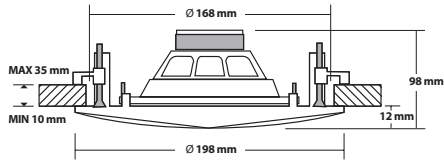
DS40T / DS40TC - Technical Drawings



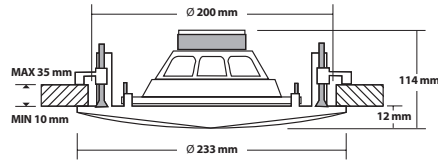
DS62T - Technical Drawings



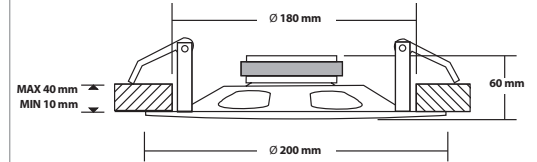
DS45T - Technical Drawings



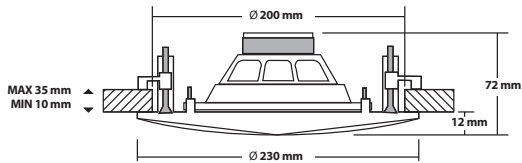
DS46T - Technical Drawings



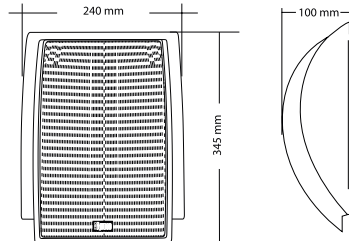
DS66T - Technical Drawings



DS67T - Technical Drawings



DP50T - Technical Drawings



DP65T / DP66T - Technical Drawings

