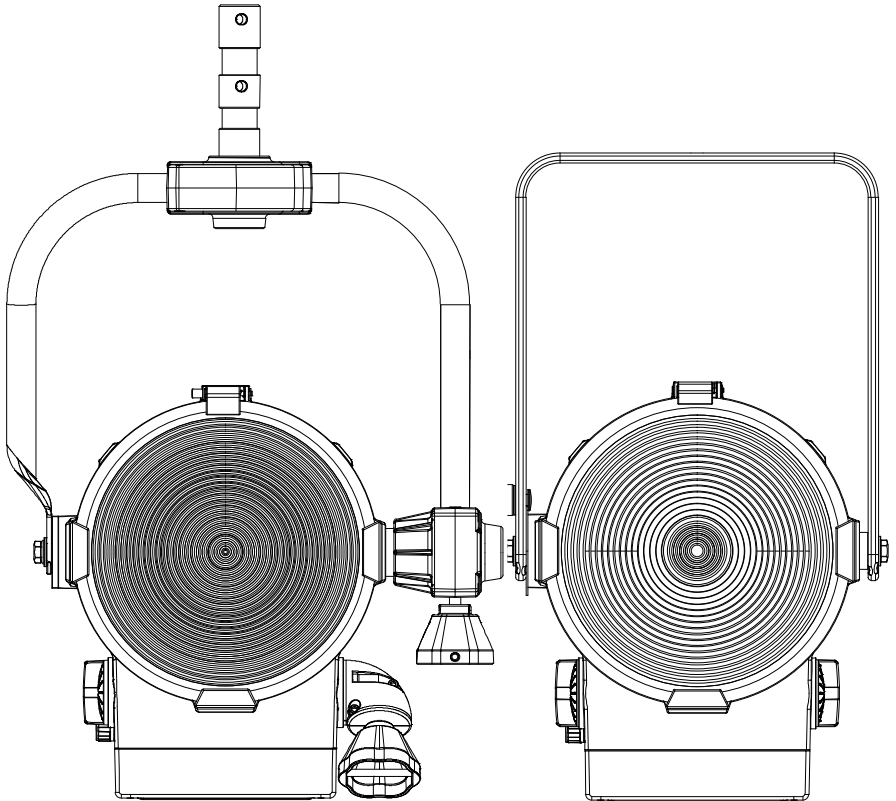


ECLIPSEFRESNELPTU-DY ECLIPSEFRESNELTU-DY

MINI LED ELLIPSOIDAL



USER MANUAL
MANUALE UTENTE

All rights reserved by Music & Lights S.r.l. No part of this instruction manual may be reproduced in any form or by any means for any commercial use.

In order to improve the quality of products, Music&Lights S.r.l. reserves the right to modify the characteristics stated in this instruction manual at any time and without prior notice.
All revisions and updates are available in the 'manuals' section on site www.musiclights.it

TABLE OF CONTENTS**Safety**

General instructions	2
Warnings and installation precautions	2

1 Introduction

1.1 Description and specifications	3
1.2 Operating elements and connections	6

2 Installation

2.1 Mounting	8
--------------------	---

3 Functions and settings

3.1 Operation	9
3.2 Basic	9
3.3 Menu structure	8
3.4 DMX mode	9
3.5 DMX configuration	9
3.6 Setting	9
3.7 Channels DMX	10
3.8 Fixture settings	11
..... Dimmer	11
..... Led frequency	11
..... Factory Reload	11
3.9 Fixture Information	11
3.10 Operations in automatic mode	11
..... Master/Slave	11
..... Effects	11

4 Maintenance

4.1 Maintenance and cleaning the unit	13
4.2 Trouble shooting	13

Packing content	• ECLIPSEFRESNEL/P
	• User manual




WARNING! Before carrying out any operations with the unit, carefully read this instruction manual and keep it with care for future reference. It contains important information about the installation, usage and maintenance of the unit.



SAFETY

General instruction

- The products referred to in this manual conform to the European Community Directives and are therefore marked with **CE**.
- The unit is supplied with hazardous network voltage (230V~). Leave servicing to skilled personnel only. Never make any modifications on the unit not described in this instruction manual, otherwise you will risk an electric shock.
- Connection must be made to a power supply system fitted with efficient earthing (Class I appliance according to standard EN 60598-1). It is, moreover, recommended to protect the supply lines of the units from indirect contact and/or shorting to earth by using appropriately sized residual current devices.
- The connection to the main network of electric distribution must be carried out by a qualified electrical installer. Check that the main frequency and voltage correspond to those for which the unit is designed as given on the electrical data label.
- This unit is not for home use, only professional applications.
- Never use the fixture under the following conditions:
 - in places subject to vibrations or bumps;
 - in places with a temperature of over 45 °C.
- Make certain that no inflammable liquids, water or metal objects enter the fixture.
- Do not dismantle or modify the fixture.
- All work must always be carried out by qualified technical personnel. Contact the nearest sales point for an inspection or contact the manufacturer directly.
- If the unit is to be put out of operation definitively, take it to a local recycling  plant for a disposal which is not harmful to the environment.

Warnings and installation precautions

- If this device will be operated in any way different to the one described in this manual, it may suffer damage and the guarantee becomes void. Furthermore, any other operation may lead to dangers like short circuit, burns, electric shock, etc.
- Before starting any maintenance work or cleaning the projector, cut off power from the main supply.
- Always additionally secure the projector with the safety rope. When carrying out any work, always comply scrupulously with all the regulations (particularly regarding safety) currently in force in the country in which the fixture's being used.
- Install the fixture in a well ventilated place.
- Keep any inflammable material at a safe distance from the fixture.
- Shields, lenses or ultraviolet screens shall be changed if they have become damaged to such an extent that their effectiveness is impaired.
- The lamp (LED) shall be changed if it has become damaged or thermally deformed.
- Never look directly at the light beam. Please note that fast changes in lighting, e. g. flashing light, may trigger epileptic seizures in photosensitive persons or persons with epilepsy.
- Do not touch the product's housing when operating because it may be very hot.

- 1 - INTRODUCTION

1.1 ECLIPSEFRESNEL - DESCRIPTION AND TECHNICAL SPECIFICATIONS

ECLIPSE FRESNEL is the LED replacement for a standard tungsten 1K fresnel. Featuring the output characteristics of a traditional Fresnel but with beam control, functional barn doors and a powerful source that focuses on outstanding colour rendition. The ECLIPSEFRESNEL adds all the advantages of LED to the Fresnel.

LIGHT SOURCE

- Source: 1x230W high-power white LED
- CT: (TU) 3200 K - (DY) 5600K
- CRI: (TU) 97 Ra - (DY) 95
- R9: >90
- Luminous flux: (TU) (45°) 12300 lm (15°) 10520 lm - (DY) (45°) 13530 lm (15°) 11492lm
- Lux: (TU) - (15°) 11166 lux - (45°) 3250 - (DY) - (15°) 12600 lux - (45°) 3330lux @3m
- Lux: (TU) - (15°) 4020 lux - (45°) 1170 - (DY) - (15°) 4536 lux - (45°) 1178lux @5m
- Source life expectancy: >50.000 h
- Other: TLCI: (TU - 15°) 98.1, (TU - 45°) 98

OPTICS

- Zoom: 15°~45° manual
- Beam angle: 15°~45°
- Field angle: 28°~65°
- Lens diameter: 8"-200mm
- Lens type: Fresnel zoom lens from 15° to 45°
- Other: Barn door and gel frame included

COLOUR SYSTEM

- Colour mixing: white

DYNAMIC EFFECTS

- Static colour mode: selection of static dimmer
- Manual colour mode: manual adjust of dimmer through menu and knob
- Auto mode: built-in programs with execution speed adjustment

BODY

- Hardware on-board: filter frame, 8 doors barndoor, omega bracket spigot
- Body: sturdy die-cast aluminium body conceived for long-time durability
- Body colour: black
- Other: Pan/Tilt infinite for pole operated version

CONTROL

- Protocols: DMX512, RDM, Local knob
- DMX channels: 1 / 2 ch1 / 2 ch2 / 3 / 5channel
- RDM: RDM ready for fixture remote monitor and settings
- Display: LCD high resolution colour display with autoflip
- Firmware upgrade: yes, via USB-DMX interface (UPBOX1) not included
- Master/Slave: for synchronized operation of more units linked in a chain
- Other: 16bit control of dimmer and colour

ELECTRONICS

- Dimmer: linear 0~100%, manual knob dimmer
- Dimmer curves: different dimming curves available
- Strobe / shutter: 0~30 Hz, electronic
- Operating temperature: -10° ~ +45°
- Flicker: flicker free frequency with adjustable PWM
- Selectable PWM: 600~25K Hz

ELECTRICAL

- Power supply: 100-240V – 50/60Hz
- Power consumption (at 230V): 214W
- Power consumption (at 120V): 215W
- Output (at 230V): 17 units on a single power line
- Output (at 120V): 9 units on a single power line
- Power factor: 0,95

PHYSICAL

- Cooling: combination of heat pipe cooling system and low noise fan
- Suspension and fixing: hanging bracket suitable for safe hanging and positioning
- Signal connection: Amphenol XLR 5p IN/OUT connectors
- Power connection: Neutrik powerCON TRUE1 IN/OUT connectors
- IP rating: 20
- Dimensions (WxHxD): for standard version 343x539x283 mm, for pole operated version 545x341x343mm
- Weight: for standard version 7.5 kg, for pole operated version 9.2kg

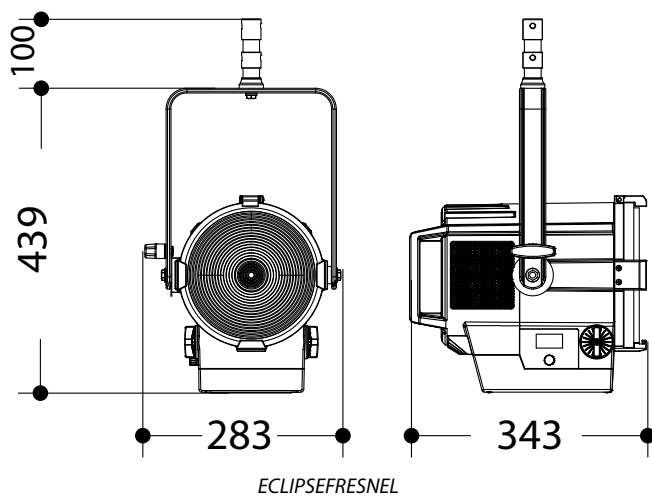
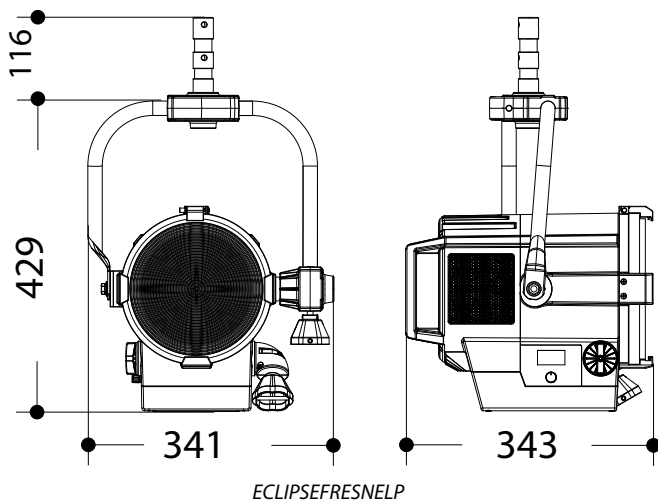
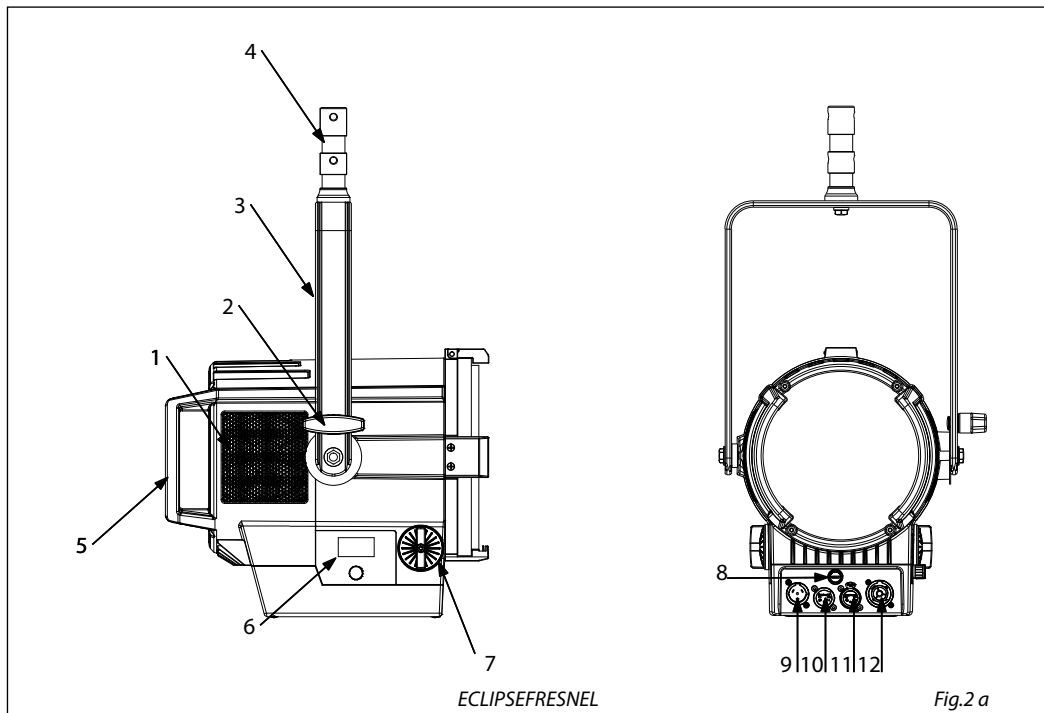


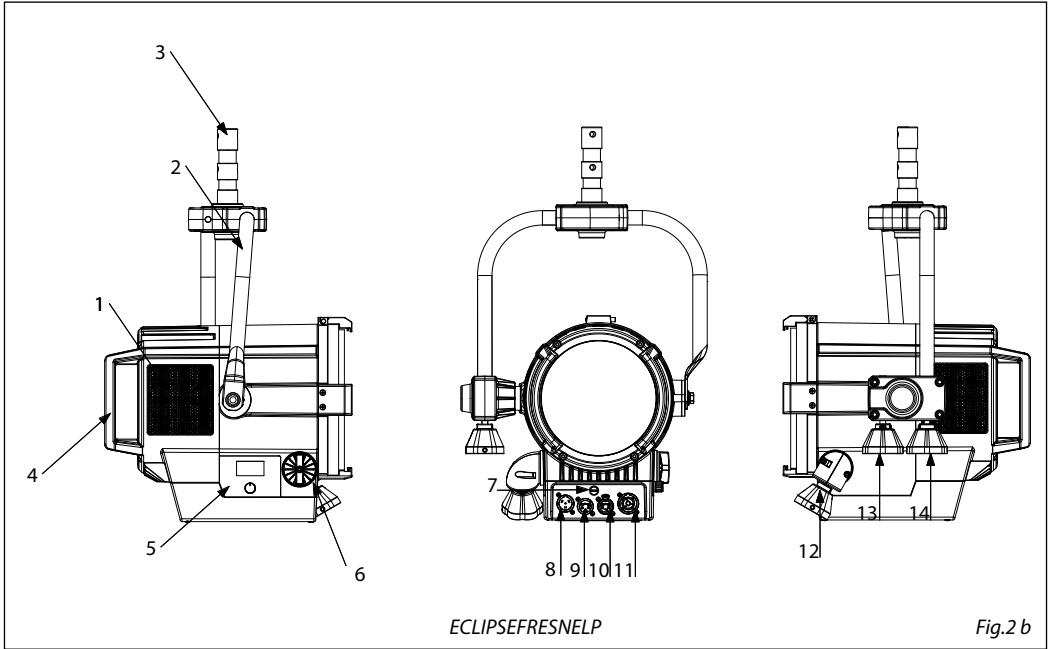
Fig.1 - Technical drawing



1.2 OPERATING ELEMENTS AND CONNECTIONS



1. AIR OPENING
2. LOCKING KNOB for mounting bracket
3. MOUNTING BRACKET
4. TRACK-ADAPTER(optional)
5. HANDLE
6. CONTROL PANEL with display and 1 button used to access the control panel functions and manage them
7. FOCUS AND ZOOM ADJUSTING SCREW to zoom the projected image clearly
8. MAIN FUSE HOLDER: replace a burnt-out fuse by one of the same type only
9. POWER IN (PowerCON IN): for connection to a socket (100-240V~/50-60Hz) via the supplied mains cable.
10. DMX IN (5-pole XLR): 1 = ground, 2 = DMX-, 3 = DMX+, 4 N/C, 5 N/C
11. DMX OUT (5-pole XLR): 1 = ground, 2 = DMX-, 3 = DMX+, 4 N/C, 5 N/C
12. POWER OUT (PowerCON OUT): power output for connection of multiple units in series.



1. AIR OPENING
2. MOUNTING BRACKET
3. TRACK-ADAPTER
4. HANDLE
5. CONTROL PANEL with display and 4 button used to access the control panel functions and manage them
6. FOCUS AND ZOOM ADJUSTING SCREW to zoom the projected image clearly
7. MAIN FUSE HOLDER: replace a burnt-out fuse by one of the same type only
8. POWER IN (PowerCON IN): for connection to a socket (100-240V~/50-60Hz) via the supplied mains cable.
9. DMX IN (5-pole XLR): 1 = ground, 2 = DMX-, 3 = DMX+, 4 N/C, 5 N/C
10. DMX OUT (5-pole XLR): 1 = ground, 2 = DMX-, 3 = DMX+, 4 N/C, 5 N/C
11. POWER OUT (PowerCON OUT): power output for connection of multiple units in series.
12. YELLOW POLE OPERATOR: Zoom pole operator.
13. WHITE POLE OPERATOR: Tilt pole operator.
14. BLUE POLE OPERATOR: Pan pole operator

- 2 - INSTALLATION

2.1 MOUNTING

ECLIPSEFRESNEL is designed for applications in exhibition areas, commercial spaces, museums, restaurant, churches, and any other installation where size is an important factor. For fixing, stable mounting clips are required. The mounting place must be of sufficient stability and be able to support a weight of 10 times of the unit's weight.

When carrying out any installation, always comply scrupulously with all the regulations (particularly regarding safety) currently in force in the country in which the fixture's being used.

- Install the projector at a suitable location.
- Always additionally secure the projector with the safety rope from falling down. For this purpose, fasten the safety rope at a suitable position so that the maximum fall of the projector will be 20 cm. Then adjust the projector and use the knobs.

NOTE - For the installation of the ECLIPSEFRESNELDY make sure that the ridge of the adaptor is in with the groove of the track. Turn knobs 90° to connect the adaptor to the circuit. Please see the figure 4.

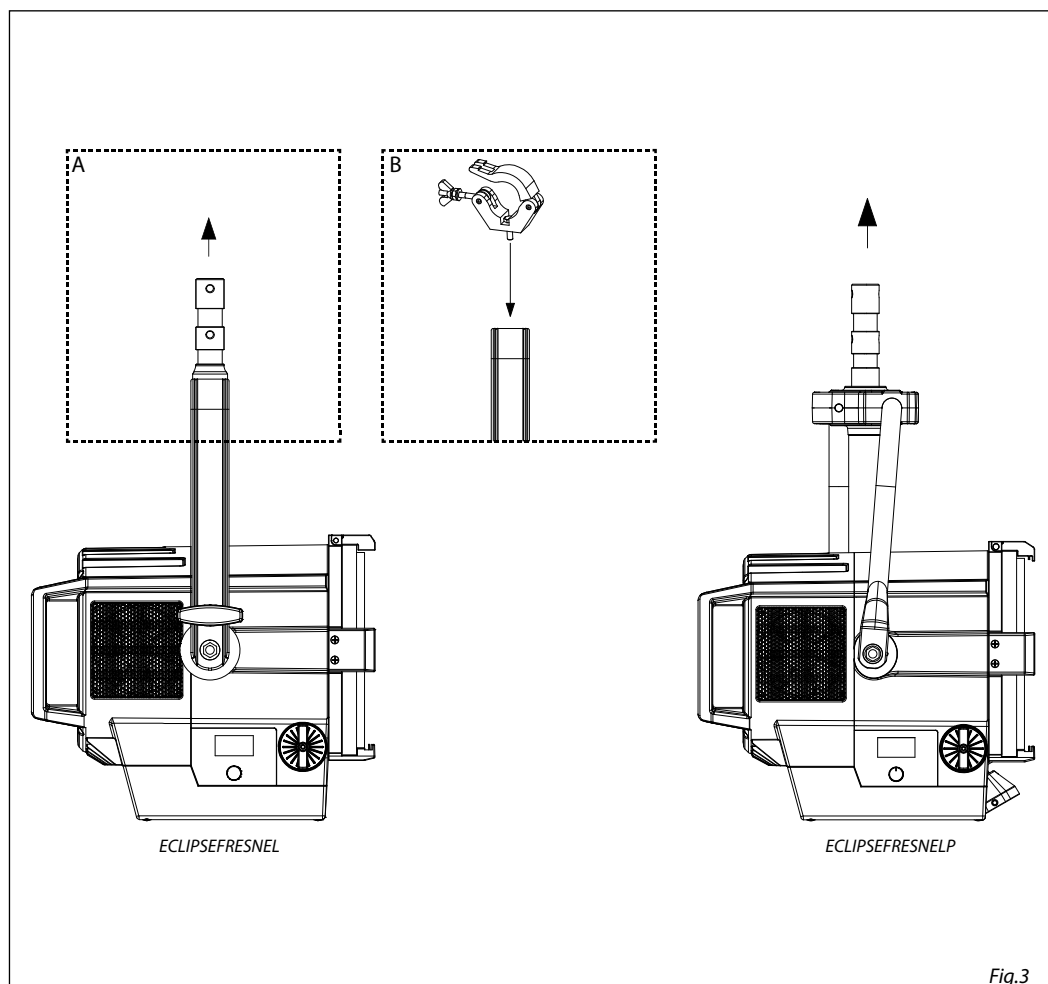


Fig.3

- 3 - FUNCTIONS AND SETTINGS

3.1 OPERATION

To turn on the ECLIPSEFRESNEL connect the supplied main cable to a socket (100-240 VAC-50/60 Hz). Then the unit is ready for operation. You can also adjust the dimmer and zoom using the knobs.

To switch off, disconnect the mains plug from the socket. For a more convenient operation it is recommended to connect the unit to a socket which can be switched on and off via a light switch.

NOTE - To operate the projector ECLIPSEFRESNEL you need a system track. The track system must be installed and maintained by a suitably qualified person in compliance with latest construction and relevant legislation. It is the responsibility of the installer to ensure the electrical, mechanical and thermal compatibility of the track system and the fittings. The connection to the main network of electric distribution must be carried out by a qualified electrical installer.

ATTENTION - Mains voltage must be switched off before mounting; maintenance; insert and replace Adaptors; spots and luminaires.

3.2 BASIC

Access control panel functions using the four panel buttons located directly underneath the LED Display (fig.5).

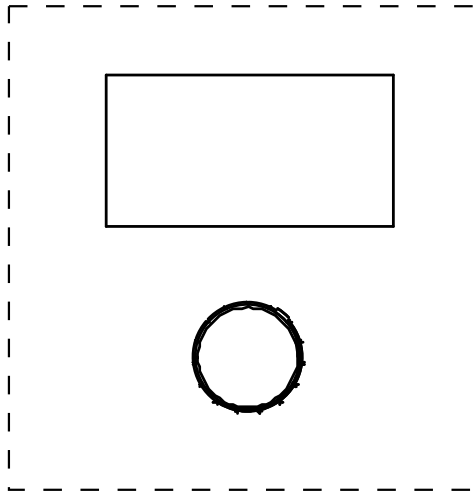


Fig.4- Functions of the buttons

3.3 MENU STRUCTURE

MENU	
1	CONNECT <ul style="list-style-type: none"> ⇒ DMX Address ⇒ Value (001-512) DMX Mode ⇒ <ul style="list-style-type: none"> EASY 1CH BASIC 2CH 1 BASIC 2CH 2 BASIC 3CH STANDARD 5CH
2	SETUP <ul style="list-style-type: none"> ⇒ Screen ⇒ Back Light ⇒ <ul style="list-style-type: none"> On 10S 20S 30S Flip Display ⇒ NO-Yes
3	ADVANCED <ul style="list-style-type: none"> ⇒ Dimmer Mode ⇒ <ul style="list-style-type: none"> Off Dimmer 1 Dimmer 2 Dimmer 3 Led Frequency ⇒ <ul style="list-style-type: none"> 600Hz 1200 Hz 2000 Hz 4000 Hz 6000Hz 25kHz Fan Mode ⇒ <ul style="list-style-type: none"> Auto On Factory Reload ⇒ NO-Yes
4	INFORMATION <ul style="list-style-type: none"> ⇒ Fixture Hours ⇒ 0-9999 Version ⇒ V1.0 UID ⇒ 15D00217****
5	STANDALONE <ul style="list-style-type: none"> ⇒ Master/Slave ⇒ Master/Slave Effects ⇒ <ul style="list-style-type: none"> Effect 1 Speed 1~100 Effect 2 Effect 3 Effect 4 Static ⇒ <ul style="list-style-type: none"> Dimmer Strobe

3.4 DMX MODE

- Press the button MENU so many times until the display shows **DMX ADDRESS**, and press the button ENTER to confirm.
- Press UP/DOWN button to select the desired value (**001-512**). Press and hold to scroll quickly.
- Press ENTER button to store.
- Press the MENU button to go back or to meet the waiting time to exit the setup menu.

To able to operate the ECLIPSEFRESNEL/TRWD with a light controller, adjust the DMX start address for the first a DMX channel. If e. g. address 33 on the controller is provided for controlling the function of the first DMX channel, adjust the start address 33 on the ECLIPSEFRESNEL. The other functions of the light effect panel are then automatically assigned to the following addresses.

An example with the start address 33 is shown below:

3.5 DMX CONFIGURATION

ECLIPSEFRESNEL/TRWD is equipped with different DMX configuration.

- Press the button MENU so many times until shows **DMX CHANNEL**, and press the button ENTER to confirm.
- Select the desired DMX configuration (**EASY 1CH - BASIC 2CH 1 - BASIC 2CH 2 - BASIC 3CH - STANDARD 5CH**) through the buttons UP/DOWN.

3.6 SETTINGS

You can change the parameters for the device by following these steps:

SCREEN

You can change the following parameters related to the display, following the same procedure:

- Press the ENTER button to access the main menu.
- Press the UP / DOWN keys to scroll the menu, select the **Set Up** icon, then press the ENTER button to enter the next menu.
- Press UP / DOWN to scroll through the menu, then select **Screen**, and press the ENTER button to enter the next menu.
- Press UP / DOWN to scroll through the menu, and then select one of the following settings for the display and press the ENTER key to display it.
 - **Back Light** - Backlight display Auto Off. This feature allows you to automatically turn off the backlight after a specified time that you can set using the arrow buttons. To have the display always on select **Always On** or choose another value to turn off the display after the amount of time you choose.
 - **Flip Display** - Orientation of the display. This function allows you to rotate the display 180° to get a better view of the display when the unit is hanging upside down. Select **YES** to activate or **NO** to disable this function.
- Press the ENTER button to confirm your choice.
- Press the LEFT button repeatedly to exit the menu and save changes.

Numero canali DMX	Indirizzo di start (esempio)	Indirizzo DMX occupati	Prossimo indirizzo di start possibile per unità n°1	Prossimo indirizzo di start possibile per unità n°2	Prossimo indirizzo di start possibile per unità n°3
5	33	33 - 37	38	43	48

3.7 CHANNELS DMX

1 CHANNELS

MODE 1 Ch	FUNCTION	DMX Value
1	DIMMER 0~100%	000 - 255

2 CHANNELS 1

MODE 2 Ch	FUNCTION	DMX Value
1	DIMMER 0~100%	000 - 255
2	DIMMER FINE 0~100%	000 - 255

2 CHANNELS 2

MODE 2 Ch	FUNCTION	DMX Value
1	DIMMER 0~100%	000 - 255
2	STROBE NO Function Strobe Slow to Fast	000 - 010 011 - 255

3 CHANNELS

MODE 3 Ch	FUNCTION	DMX Value
1	DIMMER 0~100%	000 - 255
2	DIMMER FINE 0~100%	000 - 255
3	STROBE NO Function Strobe Slow to Fast	000 - 010 011 - 255

5 CHANNELS

MODE 5 Ch	FUNCTION	DMX Value
1	DIMMER 0~100%	000 - 255
2	STROBE NO Function Strobe Slow to Fast	000 - 010 011 - 255
3	AUTO PROGRAMS No Function Auto Program 1 Auto Program 2 Auto Program 3 Auto Program 4	000 - 010 011 - 070 071 - 130 131 - 190 191 - 255
4	AUTO SPEED Auto speed slow to fast	000 - 255
5	DIMMER SPEED MODE Preset dimmer speed from display menu Dimmer speed mode off Dimmer speed mode1 (fast speed) Dimmer speed mode2 (middle speed) Dimmer speed mode3 (slow speed)	000 - 051 052 - 101 102 - 152 153 - 203 204 - 255

3. 8 FIXTURE SETTINGS

It is possible to change the parameter value in the following way:

DIMMER

- Enter in Dimmer mode to select specific dimming curve, press the button MENU so many times until shows **DIM MODE**, and press the button ENTER to confirm.
- Press the button UP/DOWN to select **OFF - DIM1 - DIM2 - DIM3**.
- Press ENTER button to store.
- Press the MENU button to go back or to meet the waiting time to exit the setup menu.

LED FREQUENCY

- To adjust the frequency of the LEDs, press the MENU button repeatedly until the display shows **LED Frequency**, and then press the ENTER button.
- Select the frequency (**600Hz - 1200Hz - 2000Hz - 4000Hz - 6000Hz - 25kHz**) using the UP/DOWN buttons.
- To confirm, press the ENTER key.
- Press the MENU button to go back or wait a few seconds to exit the setup menu.

FACTORY RELOAD

Selezionare questa funzione per ripristinare l'unità alle impostazioni di fabbrica:

- To activate **Reset Factory** display press the button MENU so many times until shows **Factory Reload**, and press the button ENTER to confirm.
- Press ENTER button to confirm the selection.
- Press the MENU button to go back or to meet the waiting time to exit from the setup menu automatically.

3. 9 FIXTURE INFORMATION

To view all the information on the device, proceed as follows:

- Press the ENTER button to access the main menu.
- Press the UP/DOWN button to scroll the menu, select the icon Information, then press the ENTER button to enter the next menu.
- Press the UP/DOWN button to scroll through the menu, then select one of the following information and press the ENTER button to display it.
 - **Fixture Time** - Through the **Fixture Time** function you can display the operating time of the projector.
 - **Software Version** - Through **Version** function you can display the currently installed software version.
- Press the LEFT button repeatedly to exit the menu.

3. 10 OPERATIONS IN AUTOMATIC MODE

MASTER SLAVE

Press the UP/DOWN button to scroll through the menu, select **Master/Slave** and press ENTER to confirm your choice.

- Press the UP/DOWN button to select the mode of operation:
 - **Master**, if the unit is connected in series with other units and it acts as the Master;
 - **Slave**, if the unit is not connected to other units.
- Press the ENTER button to confirm your choice.

EFFECTS

The unit independently runs through its show. Before you send an automatic program you need to set the drive as Master/Alone:

- Press the ENTER button to access the main menu.
- Press the UP/DOWN button to scroll the menu, select the **Effects** icon, then press the ENTER button to

enter the next menu.

- Press the UP/DOWN button to select the mode of operation: **Effects 1, Effects 2, Effects 3, Effects 4**
- Press the ENTER button to confirm your choice.
- Press the LEFT button repeatedly to exit the menu and save changes.

The unit will go into automatic mode by executing the program automatically.

- 4 - MAINTENANCE

4.1 MAINTENANCE AND CLEANING THE UNIT

- Make sure the area below the installation place is free from unwanted persons during setup.
- Switch off the unit, unplug the main cable and wait until the unit has cooled down.
- All screws used for installing the device and any of its parts should be tightly fastened and should not be corroded.
- Housings, fixations and installation spots (ceiling, trusses, suspensions) should be totally free from any deformation.
- The main cables must be in impeccable condition and should be replaced immediately even when a small problem is detected.
- It is recommended to clean the front at regular intervals, from impurities caused by dust, smoke, or other particles to ensure that the light is radiated at maximum brightness. For cleaning, disconnect the main plug from the socket. Use a soft, clean cloth moistened with a mild detergent. Then carefully wipe the part dry. For cleaning other housing parts use only a soft, clean cloth. Never use a liquid, it might penetrate the unit and cause damage to it.

4.2 TROUBLESHOOTING

Problems	Possible causes	Checks and remedies
Fixture does not light up	<ul style="list-style-type: none"> • No mains supply • Dimmer fader set to 0 • Faulty LED 	<ul style="list-style-type: none"> • Check the power supply voltage • Increase the value of the dimmer channels • Replace the LED board
General low light intensity	<ul style="list-style-type: none"> • Dirty lens assembly • Misaligned lens assembly 	<ul style="list-style-type: none"> • Clean the fixture regularly • Install lens assembly properly
Fixture does not power up	<ul style="list-style-type: none"> • No power • Loose or damaged power cord 	<ul style="list-style-type: none"> • Check for power on power outlet • Check power cord

Contact an authorized service center in case of technical problems or not reported in the table can not be resolved by the procedure given in the table.

Music & Lights S.r.l. si riserva ogni diritto di elaborazione in qualsiasi forma delle presenti istruzioni per l'uso.
La riproduzione - anche parziale - per propri scopi commerciali è vietata.

Al fine di migliorare la qualità dei prodotti, la Music&Lights S.r.l. si riserva la facoltà di modificare, in qualunque momento e senza preavviso, le specifiche menzionate nel presente manuale di istruzioni. Tutte le revisioni e gli aggiornamenti sono disponibili nella sezione 'Manuali' sul sito www.musiclights.it

INDICE**Sicurezza**

Avvertenze generali	4
Attenzioni e precauzioni per l'installazione	4

1 Introduzione

1. 1 Descrizione e specifiche tecniche	5
1. 2 Elementi di comando e di collegamento	7

2 Installazione

2. 1 Montaggio	8
----------------------	---

3 Funzioni e impostazioni

3. 1 Funzionamento	9
3. 2 Impostazione base	9
3. 3 Struttura menù	10
3. 4 Modalità DMX	11
3. 5 Configurazione canali	11
3. 6 Canali DMX	12
3. 7 Impostazioni del proiettore	11
3. 8 Funzioni del dispositivo	13
..... Dimmer	13
..... Frequenza led	13
..... Factory Reload	13
3. 9 Informazioni sul dispositivo	13
3. 11 Modalità Automatica	13
..... Master/Slave	13
..... Effects	14

4 Manutenzione

4. 1 Manutenzione e pulizia del sistema ottico	15
4. 2 Risoluzione dei problemi	15

Contenuto dell'imballo:

- ECLIPSEFRESNEL/P
- Manuale utente




ATTENZIONE! Prima di effettuare qualsiasi operazione con l'unità, leggere con attenzione questo manuale e conservarlo accuratamente per riferimenti futuri. Contiene informazioni importanti riguardo l'installazione, l'uso e la manutenzione dell'unità.



SICUREZZA

Avvertenze generali

- I prodotti a cui questo manuale si riferisce sono conformi alle Direttive della Comunità Europea e pertanto recano la sigla **CE**.
- Il dispositivo funziona con pericolosa tensione di rete 230V~. Non intervenire mai al suo interno al di fuori delle operazioni descritte nel presente manuale; esiste il pericolo di una scarica elettrica.
- È obbligatorio effettuare il collegamento ad un impianto di alimentazione dotato di un'efficiente messa a terra (apparecchio di Classe I secondo norma EN 60598-1). Si raccomanda, inoltre, di proteggere le linee di alimentazione delle unità dai contatti indiretti e/o cortocircuiti verso massa tramite l'uso di interruttori differenziali opportunamente dimensionati.
- Le operazioni di collegamento alla rete di distribuzione dell'energia elettrica devono essere effettuate da un installatore elettrico qualificato. Verificare che frequenza e tensione della rete corrispondono alla frequenza ed alla tensione per cui l'unità è predisposta, indicate sulla targhetta dei dati elettrici.
- L'unità non per uso domestico, solo per uso professionale.
- Evitare di utilizzare l'unità:
 - in luoghi soggetti a vibrazioni, o a possibili urti;
 - in luoghi a temperatura superiore ai 45°C.
- Evitare che nell'unità penetrino liquidi infiammabili, acqua o oggetti metallici.
- Non smontare e non apportare modifiche all'unità.
- Tutti gli interventi devono essere sempre e solo effettuati da personale tecnico qualificato. Rivolgersi al più vicino centro di assistenza tecnica autorizzato.
- Se si desidera eliminare il dispositivo definitivamente, consegnarlo  per lo smaltimento ad un'istituzione locale per il riciclaggio.

Attenzioni e precauzioni per l'installazione

- Se il dispositivo dovesse trovarsi ad operare in condizioni differenti da quelle descritte nel presente manuale, potrebbero verificarsi dei danni; in tal caso la garanzia verrebbe a decadere. Inoltre, ogni altra operazione potrebbe provocare cortocircuiti, incendi, scosse elettriche, rotture etc.
- Prima di iniziare qualsiasi operazione di manutenzione o pulizia sull'unità togliere la tensione dalla rete di alimentazione.
- È assolutamente necessario proteggere l'unità per mezzo di una fune di sicurezza. Nell'eseguire qualsiasi intervento attenersi scrupolosamente a tutte le normative (in materia di sicurezza) vigenti nel paese di utilizzo.
- Installare l'unità in un luogo ben ventilato.
- Mantenere i materiali infiammabili ad una distanza di sicurezza dall'unità.
- I filtri, le lenti o gli schermi ultravioletti se danneggiati possono limitare la loro efficienza.
- I LED devono essere sostituiti se danneggiati o termicamente deformati.
- Non guardare direttamente il fascio luminoso. Tenete presente che i veloci cambi di luce possono provocare attacchi d'epilessia presso persone fotosensibili o epilettiche.
- Non toccare l'alloggiamento del prodotto quando è in funzione perché potrebbe essere molto caldo.

- 1 - INTRODUZIONE

1.1 ECLIPSEFRESNEL - DESCRIZIONE E SPECIFICHE TECNICHE

ECLIPSEFRESNEL è una sostituzione avanzata a LED per le tradizionali lampade Fresnel da 1 K. Grazie alle caratteristiche di output di un Fresnel tradizionale, al controllo del fascio, alle bandiere e ad una potente sorgente con straordinaria resa colore, ECLIPSEFRESNEL aggiunge tutti i vantaggi del LED al Fresnel.

SORGENTE LUMINOSA

- Sorgente: 1x230W LED bianco ad alta potenza
- CT: (TU) 3200 K - (DY) 5600K
- CRI: (TU) 97 Ra - (DY) 95
- R9: >90
- Flusso luminoso: (TU) (45°) 12300 lm (15°) 10520 lm - (DY) (45°) 13530 lm (15°) 11492lm
- Lux: (TU) - (15°) 11166 lux - (45°) 3250 - (DY) - (15°) 12600 lux - (45°) 3330lux @3m
- Lux: (TU) - (15°) 4020 lux - (45°) 1170 - (DY) - (15°) 4536 lux - (45°) 1178lux @5m
- Durata media sorgente: >50.000 h
- Altro: TLCl: (TU - 15°) 98.1, (TU - 45°) 98

OTTICA

- Zoom: 15°~45° manuale
- Angolo di proiezione: 15°~45°
- Angolo di campo: 28°~65°
- Diametro: 8"-200mm
- Tipo lente: Fresnel zoom lens from 15° to 45°
- Altro: Barn door and gel frame included

SISTEMA COLORE

- Miscelazione del colore: bianco

EFFETTI DINAMICI

- Modalità colore statico: selezione statica del dimmer
- Modalità colore manuale: regolazione manuale del dimmer tramite menu o manopola
- Auto mode: programmi integrati con regolazione della velocità di esecuzione

CORPO

- Hardware a bordo: telaio del filtro, barndoor ad 8 porte e attacco per mensola OMEGA inclusi
- Corpo: corpo in alluminio pressofuso ad alta resistenza
- Colore: nero
- Altro: Pan/Tilt infinite for pole operated version

CONTROLLO

- Protocolli: DMX512, RDM, Local Knob
- Canali DMX: 1 / 2 ch1 / 2 ch2 / 3 / 5channel
- RDM: RDM ready per controllo e impostazioni remote della fixture
- Display: display a colori LCD ad alta risoluzione con rotazione automatica
- Aggiornamento firmware: sì, con interfaccia USB-DMX (UPBOX1) non inclusa
- Master/Slave: per il controllo di più unità collegate in catena
- Altro: 16bit control of dimmer and Color

ELETRONICA

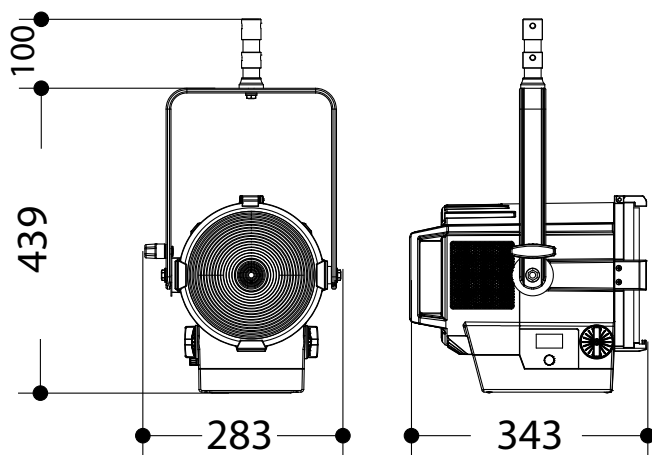
- Dimmer: 0~100%, dimmer manuale su manopola
- Curve dimmer: curve dimmer regolabili
- Strobo / shutter: 0~30 Hz, elettronico
- Temperatura d'esercizio: -10° ~ +45°
- Flicker: frequenza libera dello sfarfallio con PWM regolabile
- PWM selezionabile: 600~25K Hz

ALIMENTAZIONE

- Alimentazione elettrica: 100-240V – 50/60Hz
- Potenza assorbita (a 230V): 214W
- Potenza assorbita (a 120V): 215W
- Output (a 230V): 17 unità connesse in serie
- Output (a 120V): 9 unità connesse in serie
- Fattore di potenza: 0,95

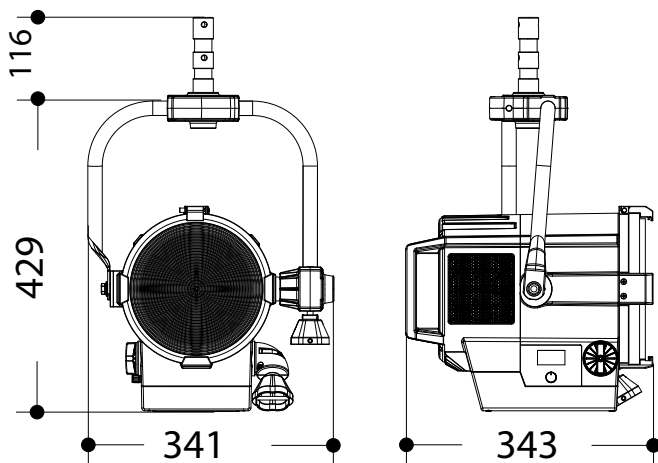
CARATTERISTICHE FISICHE

- Raffreddamento: sistema di dissipazione a con heating-pipe
- Sospensione e fissaggio: staffa per il fissaggio in sospensione e per il posizionamento del proiettore con qualsiasi orientamento
- Connessione di segnale: Amphenol XLR 5p IN/OUT connectors
- Connessione di alimentazione: Neutrik powerCON TRUE1 IN/OUT connectors
- Grado IP: 20
- Dimensioni (LxAxP): for standard version 343x539x283 mm, for pole operated version 545x341x343mm
- Peso: for standard version 7.5 kg, for pole operated version 9.2kg



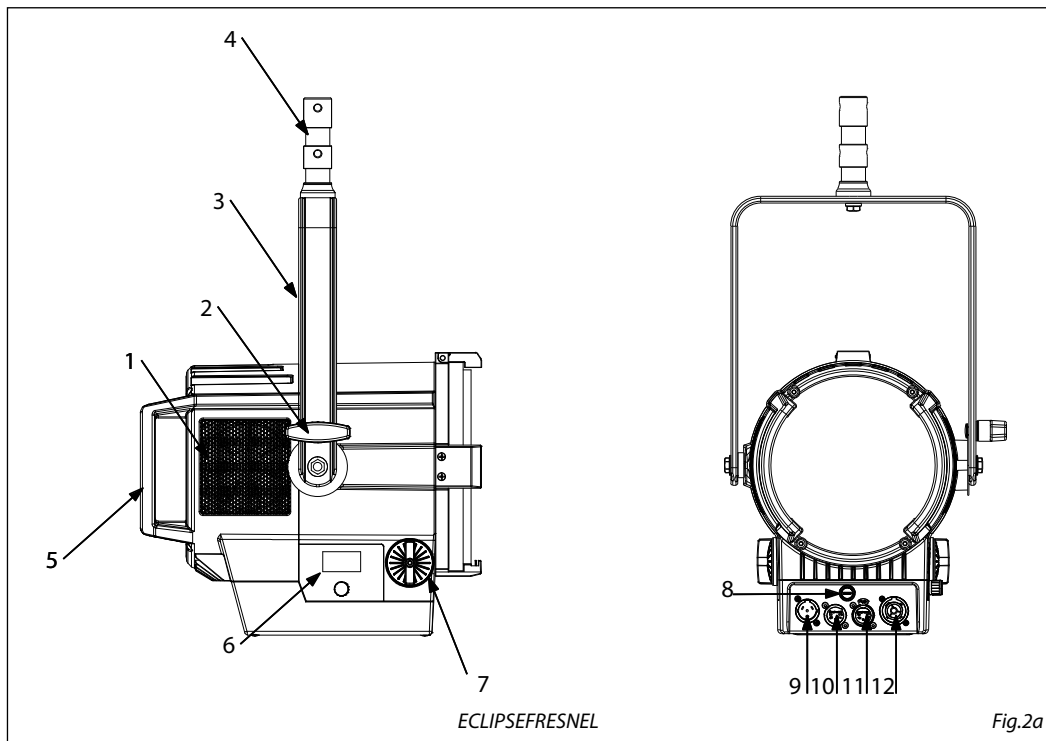
ECLIPSEFRESNEL

Fig.1 - Disegno tecnico

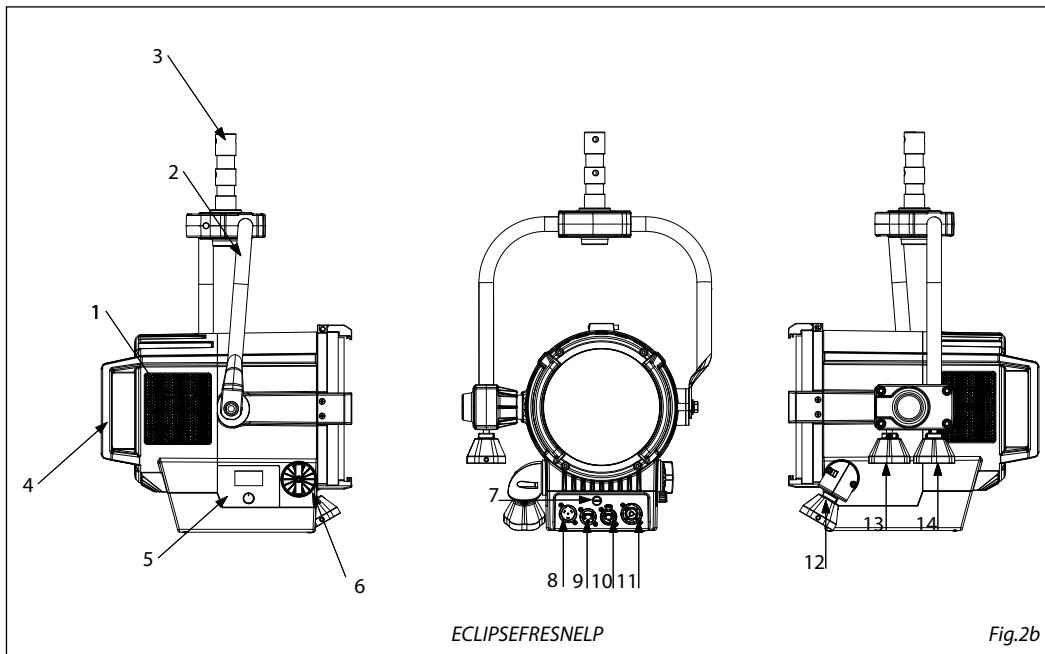


ECLIPSEFRESNELP

1.2 ELEMENTI DI COMANDO E COLLEGAMENTI



1. PRESA DI VENTILAZIONE apertura per uscita flusso d'aria da non ostruire
2. VITE DI FISSAGGIO SAGOMATORE
3. BRACCIO GIREVOLE
4. STAFFA DI MONTAGGIO
5. MANIGLIE
6. PANNELLO DI CONTROLLO con display e 1 pulsante per accesso e gestione delle funzioni.
7. VITE DI REGOLAZIONE ZOOM E MESSA A FUOCO per zoommare l'immagine proiettata in modo chiaro
8. PORTAFUSIBILE: sostituire un fusibile difettoso solo con uno dello stesso tipo
9. POWER IN (PowerCON IN): per il collegamento ad una presa di rete (100-240V~/50-60Hz) tramite il cavo rete in dotazione.
10. DMX IN (XLR a 5 poli): 1= massa, 2 = DMX -, 3 = DMX +, 4 N/C, 5 N/C
11. DMX OUT (XLR a 5 poli): 1 = massa, 2 = DMX -, 3 = DMX +, 4 N/C, 5 N/C CONNETTORI EtherCON segnale IN/OUT
12. POWER OUT (PowerCON OUT): collegamento per l'alimentazione all'unità successiva



ECLIPSEFRESNELP

Fig.2b

1. PRESA DI VENTILAZIONE apertura per uscita flusso d'aria da non ostruire.
2. BRACCIO GIREVOLE.
3. STAFFA DI MONTAGGIO.
4. MANIGLIE.
5. PANNELLO DI CONTROLLO con display e 4 pulsante per accesso e gestione delle funzioni.
6. VITE DI REGOLAZIONE ZOOM E MESSA A FUOCO per zoommare l'immagine proiettata in modo chiaro.
7. PORTAFUSIBILE: sostituire un fusibile difettoso solo con uno dello stesso tipo.
8. POWER IN (PowerCON IN): per il collegamento ad una presa di rete (100-240V~/50-60Hz) tramite il cavo rete in dotazione.
9. DMX IN (XLR a 5 poli): 1= massa, 2 = DMX -, 3 = DMX +, 4 N/C, 5 N/C.
10. DMX OUT (XLR a 5 poli): 1 = massa, 2 = DMX -, 3 = DMX +, 4 N/C, 5 N/C CONNETTORI EtherCON segnale IN/OUT.
11. POWER OUT (PowerCON OUT): collegamento per l'alimentazione all'unità successiva.
12. POLE OPERATOR GIALLO: Pole operator per lo zoom.

13. POLE OPERATOR BIANCO: Pole operator per Tilt.

14. POLE OPERATOR BLU: Pole operator per PAN.

- 2 - INSTALLAZIONE

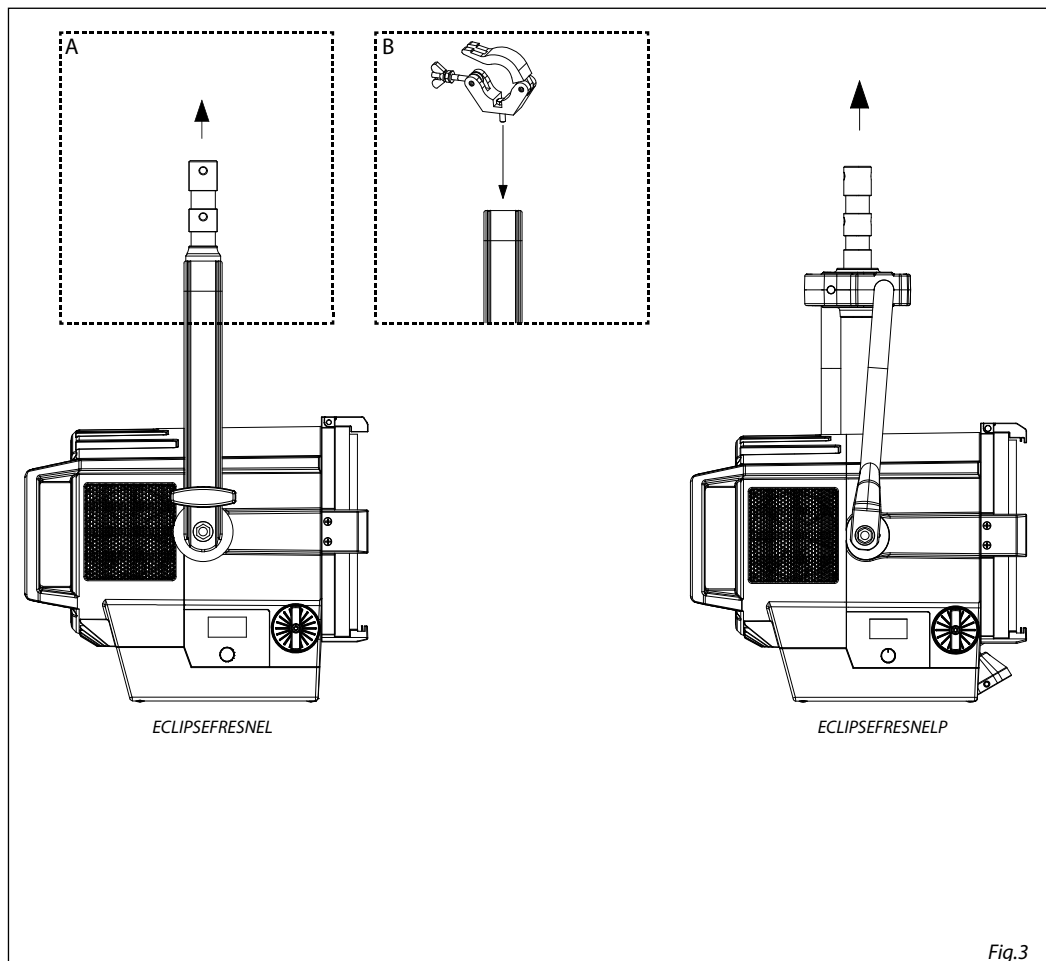
2.1 MONTAGGIO

ECLIPSEFRESNEL è stato progettato per applicazioni in campo commerciale, musei, ristoranti, chiese, teatri educativi e qualsiasi altro ambito in cui le dimensioni rappresentano un fattore importante.

Per il fissaggio occorrono dei supporti robusti per il montaggio. L'area di collocazione deve avere una stabilità sufficiente e supportare almeno 10 volte il peso dell'unità. Inoltre assicurarsi di rispettare tutte le avvertenze in materia di sicurezza.

- Fissare il proiettore ad una collocazione idonea.
- È assolutamente necessario assicurare il proiettore contro la caduta utilizzando un cavo di sicurezza: in particolare collegare il cavo in un punto adatto in modo che la caduta del proiettore non possa superare i 20 cm. Quindi orientare il proiettore.

NOTA - Per l'installazione del proiettore ECLIPSEFRESNEL inserire il gancio (incluso) o un morsetto idoneo per fissarlo ad un sistema sospeso.



- 3 - FUNZIONI E IMPOSTAZIONI

3.1 FUNZIONAMENTO

Per accendere il ECLIPSEFRESNEL, inserire la spina del cavo di alimentazione in una presa di rete (100-240V~/50-60Hz). Effettuare le regolazioni del dimmer e dello zoom mediante le relative manopole. Dopo l'utilizzo spegnere il dispositivo, staccare la spina dalla presa di rete. Per maggiore comodità è consigliabile collegare l'unità con una presa comandata da un interruttore.

NOTA - Per il funzionamento del proiettore ECLIPSEFRESNEL è necessario realizzare invece un sistema track. Il sistema di binari deve essere installato e gestito da personale qualificato in conformità con le relative normative vigenti nel paese di utilizzo. È responsabilità dell'installatore garantire la compatibilità elettrica, meccanica e termica del sistema. In particolare, le operazioni di collegamento alla rete di distribuzione dell'energia elettrica devono essere effettuate da un installatore elettrico qualificato.

ATTENZIONE - Assicurarasi di togliere la tensione di alimentazione prima di iniziare qualsiasi intervento di manutenzione, inserimento e sostituzione di track-adpater (optional) e dispositivi di illuminazione.

3.2 IMPOSTAZIONE BASE

Il ECLIPSEFRESNEL dispone di un display e 1 pulsante per accesso alle funzioni del pannello di controllo (fig.5).

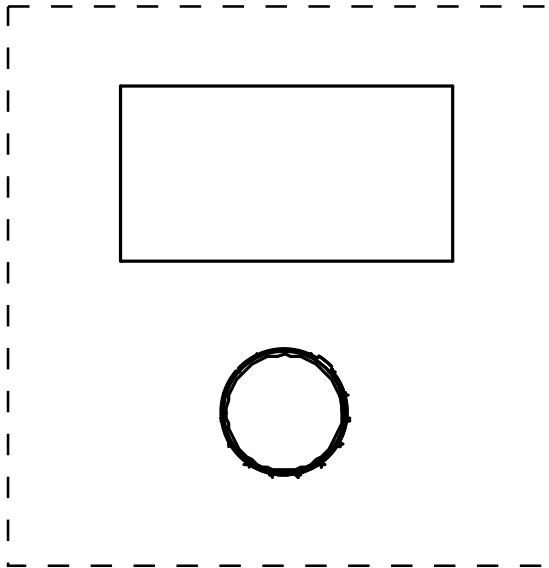


Fig.4- Funzione dei tasti

3.3 STRUTTURA MENU

MENU	
1	CONNECT <ul style="list-style-type: none"> ⇒ DMX Address ⇒ Value (001-512) DMX Mode ⇒ EASY 1CH BASIC 2CH 1 BASIC 2CH 2 BASIC 3CH STANDARD 5CH
2	SETUP <ul style="list-style-type: none"> ⇒ Screen ⇒ Back Light ⇒ On 10S 20S 30S Flip Display ⇒ NO-Yes
3	ADVANCED <ul style="list-style-type: none"> ⇒ Dimmer Mode ⇒ Off Dimmer 1 Dimmer 2 Dimmer 3 Led Frequency ⇒ 600Hz 1200 Hz 2000 Hz 4000 Hz 6000Hz 25KHZ Fan Mode ⇒ Auto On Factory Reload ⇒ NO-Yes
4	INFORMATION <ul style="list-style-type: none"> ⇒ Fixture Hours ⇒ 0-9999 Version ⇒ V1.0 UID ⇒ 15D00217****
5	STANDALONE <ul style="list-style-type: none"> ⇒ Master/Slave ⇒ Master/Slave Effects ⇒ Effect 1 Speed 1~100 Effect 2 Effect 3 Effect 4 Static ⇒ Dimmer Strobe

3.4 MODALITÀ DMX

- Per impostare l'indirizzo DMX, premere il tasto MENU fino a quando sul display non appare **DMX ADDRESS**, quindi premere il tasto ENTER.
- Premere il tasto UP/DOWN per selezionare il valore desiderato (**001-512**); tenere premuto invece il tasto UP/DOWN per lo scorrimento veloce. Premere il tasto ENTER per confermare l'impostazione.

Per poter comandare il ECLIPSEFRESNEL con un'unità di comando luce, occorre impostare l'indirizzo di start DMX per il primo canale DMX. Se, per esempio, sull'unità di comando è previsto l'indirizzo 33 per comandare la funzione del primo canale DMX, si deve impostare sul ECLIPSEFRESNEL/TRWD l'indirizzo di start 33. Le altre funzioni del pannello saranno assegnate automaticamente agli indirizzi successivi. Segue un esempio con indirizzo 33 di start:

3.5 CONFIGURAZIONE CANALI DMX

Il ECLIPSEFRESNEL dispone di diverse configurazioni dei canali DMX a cui si può accedere dal pannello di controllo.

- Premere il tasto MENU fino a quando sul display non appare **DMX CHANNEL**, quindi premere il tasto ENTER.
- Attraverso i tasti UP/DOWN selezionare la configurazione dei canali DMX che si desidera (**EASY 1CH - BASIC 2CH 1 - BASIC 2CH 2 - BASIC 3CH - STANDARD 5CH**). Premere il tasto ENTER per confermare.

Le tabelle a pagina indicano le modalità di funzionamento e i relativi valori DMX.

3.6 IMPOSTAZIONI DEL PROIETTORE

È possibile modificare i parametri relativi al dispositivo procedendo nel seguente modo:

SCREEN

È possibile modificare i seguenti parametri, relativi al display, seguendo la medesima procedura:

- Premere il tasto ENTER per accedere al menu principale.
- Premere il tasto UP/DOWN per scorrere nel menu, selezionare **Set Up**, quindi premere il tasto ENTER per accedere al menu successivo.
- Premere il tasto UP/DOWN per selezionare **Screen** e premere il tasto ENTER per procedere.
- Selezionare l'opzione proposta con il tasto UP/DOWN e premere il tasto ENTER per confermare.
 - **Backlight** - Retroilluminazione display Auto Off. Questa funzione permette di spegnere automaticamente la retroilluminazione del display dopo un determinato tempo che può essere impostato tramite i tasti direzionali. Per avere il display sempre acceso seleziona **Always On** oppure impostare un valore tra quelli indicati per far spegnere il display una volta trascorso il tempo scelto, dopo l'uscita dal menu.
 - **Flip Display** - Orientamento del display. Questa funzione permette di ruotare il display di 180° per ottenere una migliore visualizzazione del display quando l'unità è appesa a testa in giù. Selezionare **YES** per attivare la funzione oppure **NO** per disattivarla.
- Premere il tasto ENTER per confermare la scelta.
- Premere il tasto MENU più volte per uscire dal menu e per salvare le modifiche apportate.

Numero canali DMX	Indirizzo di start (esempio)	Indirizzo DMX occupati	Prossimo indirizzo di start possibile per unità n°1	Prossimo indirizzo di start possibile per unità n°2	Prossimo indirizzo di start possibile per unità n°3
5	33	33 - 37	38	43	48

3.7 CANALI DMX

1 CHANNELS

MODE 1 Ch	FUNCTION	DMX Value
1	DIMMER 0~100%	000 - 255

2 CHANNELS 1

MODE 2 Ch	FUNCTION	DMX Value
1	DIMMER 0~100%	000 - 255
2	DIMMER FINE 0~100%	000 - 255

2 CHANNELS 2

MODE 2 Ch	FUNCTION	DMX Value
1	DIMMER 0~100%	000 - 255
2	STROBE NO Function Strobe Slow to Fast	000 - 010 011 - 255

3 CHANNELS

MODE 3 Ch	FUNCTION	DMX Value
1	DIMMER 0~100%	000 - 255
2	DIMMER FINE 0~100%	000 - 255
3	STROBE NO Function Strobe Slow to Fast	000 - 010 011 - 255

5 CHANNELS

MODE 5 Ch	FUNCTION	DMX Value
1	DIMMER 0~100%	000 - 255
2	STROBE NO Function Strobe Slow to Fast	000 - 010 011 - 255
3	AUTO PROGRAMS No Function Auto Program 1 Auto Program 2 Auto Program 3 Auto Program 4	000 - 010 011 - 070 071 - 130 131 - 190 191 - 255
4	AUTO SPEED Auto speed slow to fast	000 - 255
5	DIMMER SPEED MODE Preset dimmer speed from display menu Dimmer speed mode off Dimmer speed mode1 (fast speed) Dimmer speed mode2 (middle speed) Dimmer speed mode3 (slow speed)	000 - 051 052 - 101 102 - 152 153 - 203 204 - 255

3.8 FUNZIONI DISPOSITIVO

Per il ECLIPSEFRESNEL è possibile accedere alle seguenti funzioni dispositivo:

DIMMER

- Per entrare nella modalità dimmer e scegliere e simulare diverse curve dimming, scorrere nel menu, selezionare l'icona **Advanced**, scorrere nel MENU fino a quando sul display non compare **DIM MODE**, quindi premere il tasto ENTER.
- Premere il tasto UP/DOWN per selezionare (**OFF - DIM1 - DIM2 - DIM3**).
- Premere il tasto ENTER per confermare la scelta.
- Premere il tasto MENU per tornare indietro o attendere alcuni secondi per uscire dal menu di impostazione.

FREQUENZA LED

- Per regolare la frequenza dei LED, premere il tasto MENU ripetutamente fino a quando sul display non compare **LED FREQUENCY**, quindi premere il tasto ENTER.
- Selezionare il valore della frequenza (**600Hz - 1200Hz - 2000Hz - 4000Hz - 6000Hz - 25kHz**) attraverso i tasti UP/DOWN.
- Per confermare premere il tasto ENTER.
- Premere il tasto MENU per tornare indietro o attendere alcuni secondi per uscire dal menu di impostazione.

FACTORY RELOAD

Selezionare questa funzione per ripristinare l'unità alle impostazioni di fabbrica:

- Premere il tasto ENTER per accedere al menu principale.
- Premere il tasto UP/DOWN per selezionare **Factory Reload** e premere il tasto ENTER per procedere.
- Premere i tasti UP/DOWN per selezionare **Yes** oppure **No**, quindi premere il tasto ENTER per confermare.

3.9 INFORMAZIONI SUL DISPOSITIVO

Per visualizzare tutte le informazioni sul dispositivo procedere nel seguente modo:

- Premere il tasto ENTER per accedere al menu principale.
- Premere il tasto UP/DOWN per selezionare l'icona **Information**, quindi premere il tasto ENTER per accedere al menu successivo.
- Premere il tasto UP/DOWN per scorrere nel menu, quindi selezionare una delle seguenti informazioni e premere il tasto ENTER per visualizzarla.
 - **Fixture Time** - Attraverso la funzione **Fixture Time** è possibile visualizzare sul display il tempo di funzionamento del proiettore.
 - **Software Version** - Attraverso la funzione **Version** è possibile visualizzare sul display la versione del software installata.
- Premere il tasto MENU più volte per uscire dal menu.

3.10 OPERAZIONI IN MODALITÀ AUTOMATICA

MASTER/SLAVE

Master/Slave muoversi con il tasto UP/DOWN, quindi confermare la scelta con il tasto ENTER.

- **Master**, se l'unità è collegata in serie ad altre unità ed essa svolge la funzione di Master;
 - **Slave**, se l'unità non è collegata ad altre unità.
- Premere il tasto ENTER per confermare la scelta.

EFFECTS

L'unità può svolgere il suo programma Show autonomamente. Prima di inviare un programma automatico in esecuzione è necessario impostare l'unità come Master/Alone:

- Premere il tasto ENTER per accedere al menu principale.
- Premere il tasto UP/DOWN per scorrere nel menu, selezionare **Effects**, quindi premere il tasto ENTER per accedere al menu successivo :
- Premere il tasto UP/DOWN per selezionare la modalità di funzionamento: **Effects 1, Effects 2, Effects 3, Effects 4**
- Premere il tasto ENTER per confermare la scelta e successivamente selezionare la velocità.
- Premere il tasto LEFT più volte per uscire dal menu e per salvare le modifiche apportate.

L'unità entrerà in modalità automatica mandando in esecuzione il programma automatico.

- 4 - MANUTENZIONE

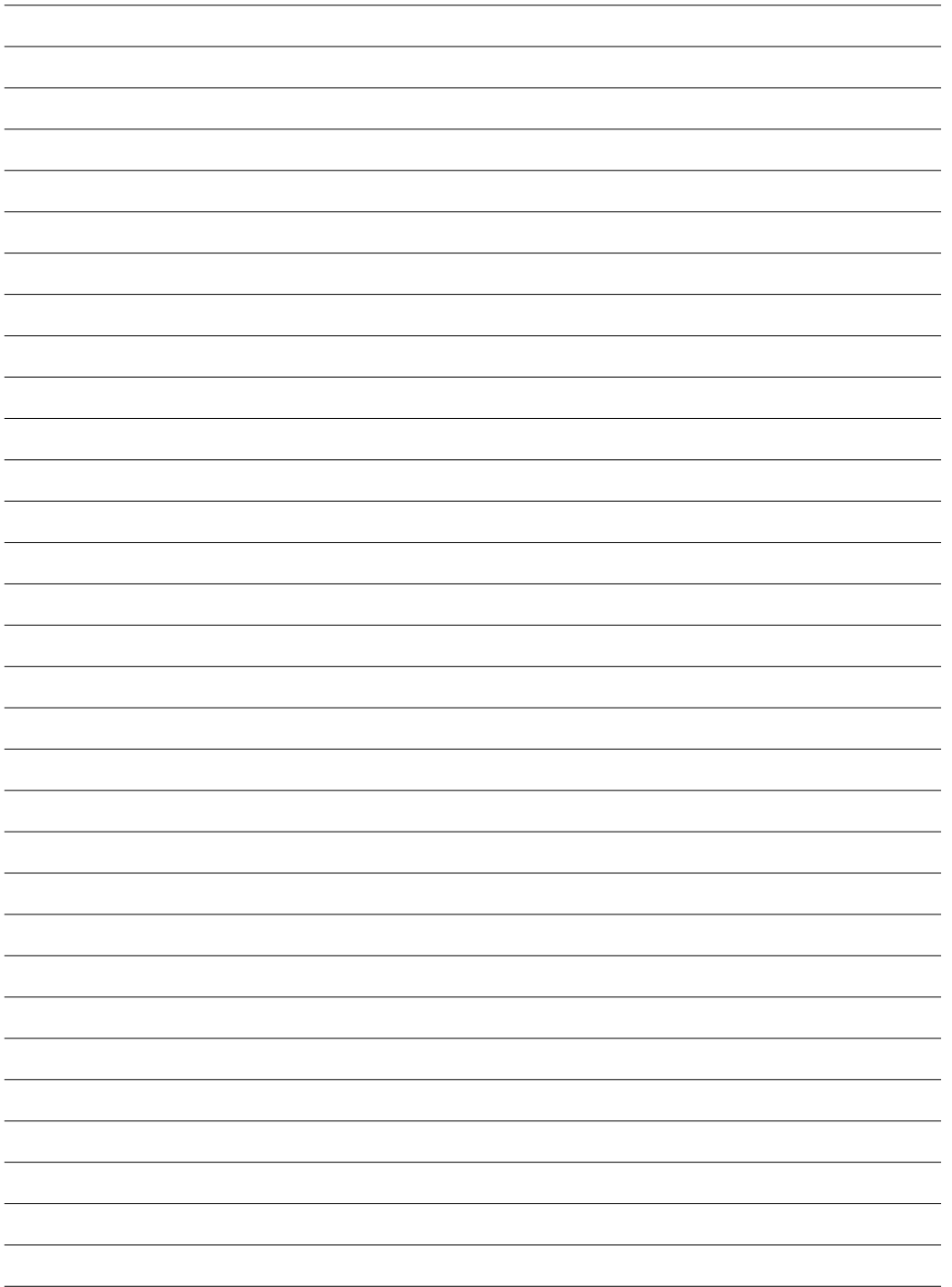
4.1 MANUTENZIONE E PULIZIA DEL SISTEMA OTTICO

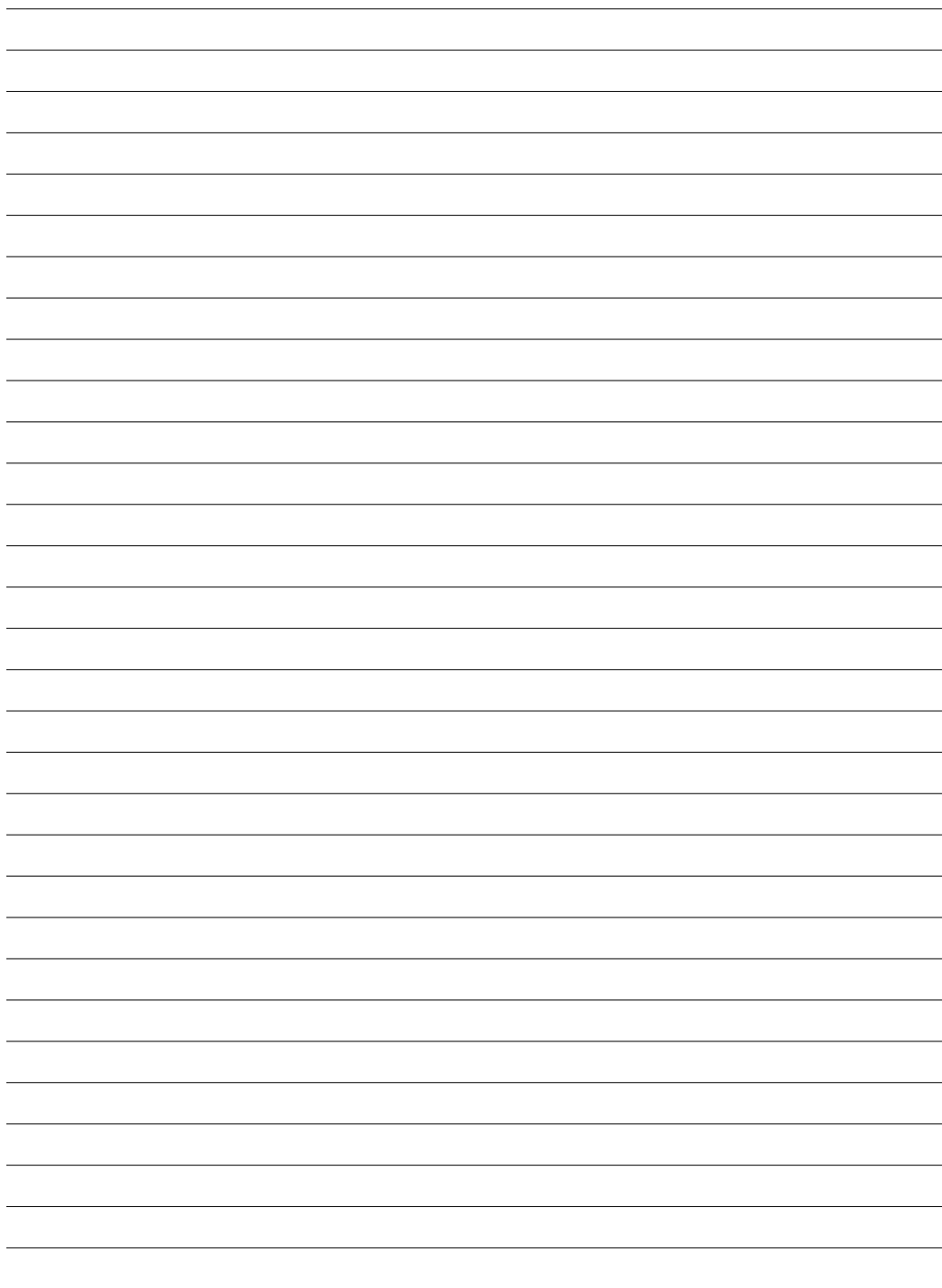
- Durante gli interventi, assicurarsi che l'area sotto il luogo di installazione sia libera da personale non qualificato.
- Spegnerne l'unità, scollegare il cavo di alimentazione ed aspettare finché l'unità non si sia raffreddata.
- Tutte le viti utilizzate per l'installazione dell'unità e le sue parti devono essere assicurate saldamente e non devono essere corrose.
- Alloggiamenti, elementi di fissaggio e di installazione (soffitto, truss, sospensioni) devono essere totalmente esenti da qualsiasi deformazione.
- I cavi di alimentazione devono essere in condizione impeccabile e devono essere sostituiti immediatamente nel momento in cui anche un piccolo problema viene rilevato.
- Si dovrebbe procedere, ad intervalli regolari, alla pulizia della parte frontale per asportare polvere, fumo e altre particelle. Solo così, la luce può essere irradiata con la luminosità massima. Per la pulizia usare un panno morbido, pulito e un detergente per vetri come si trovano in commercio. Quindi asciugare le parti delicatamente.

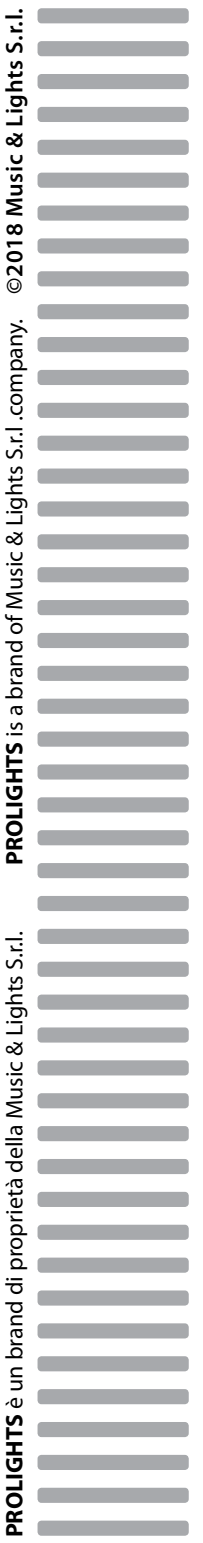
4.2 RISOLUZIONE DEI PROBLEMI

Anomalie	Possibili cause	Controlli e rimedi
Il proiettore non illumina	<ul style="list-style-type: none"> • Mancanza di alimentazione di rete • Dimmer impostato a 0 • LED difettoso/i 	<ul style="list-style-type: none"> • Verificare la presenza della tensione alimentazione • Incrementare i valori del canale dimmer • Sostituire scheda LED
Bassa intensità di luce generale	<ul style="list-style-type: none"> • Lenti sporche • Lente disallineata 	<ul style="list-style-type: none"> • Pulire il dispositivo regolarmente • Installare il gruppo ottico correttamente
Il proiettore non è alimentato	<ul style="list-style-type: none"> • Mancanza di alimentazione di rete • Cavo di alimentazione danneggiato 	<ul style="list-style-type: none"> • Verificare la presenza della tensione alimentazione • Controllare il cavo di alimentazione

Rivolgersi a un centro di assistenza tecnico autorizzato nel caso in cui il problema non sia riportato in tabella.







PROLIGHTS è un brand di proprietà della Music & Lights S.r.l.

PROLIGHTS is a brand of Music & Lights S.r.l. company.

©2018 Music & Lights S.r.l.