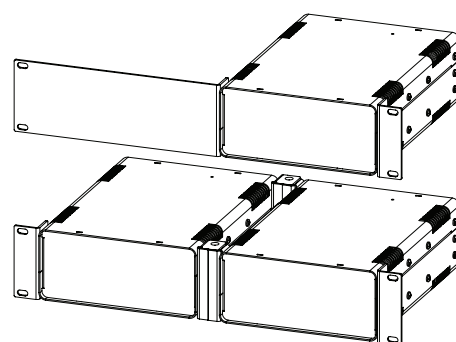


6-way Bidirectional ArtNet/sACN-DMX Node with TWO EtherCon Ports and PoE power in!



2U RackMount Kits available

- High-power processor for glitch-free data conversion, patching and merging of up to six universes
- Powerful yet intuitive feature set, control, management, via on-board LCD, Browser Interface, or ProPlex Software
- Dual EtherCon ports allow very low latency linking of units and, with GBS and EZ-LAN, ring topology for speed and redundancy
- PoE power-in option for convenience or dual-power redundancy
- Merge ArtNet or Streaming ACN from multiple sources
- Full bi-directional RDM functionality. Input or output on any DMX connector.
- Rugged "BSH" PortableMount enclosure with removable truss yoke. Single and Dual RackMount Kits available



BUILT FOR THE ROAD!
DATA DISTRIBUTION YOU CAN DEPEND ON

ProPlex®
DATA DISTRIBUTION

Worldwide Exclusive Distribution

sales@tmb.com

Los Angeles
+1 818.899.8818

London
+44 (0)20.8574.9700

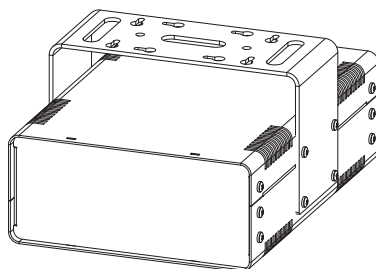
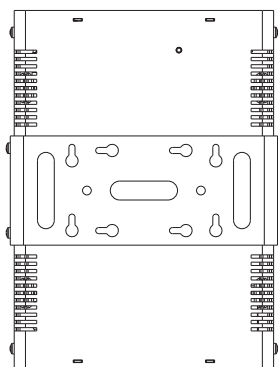
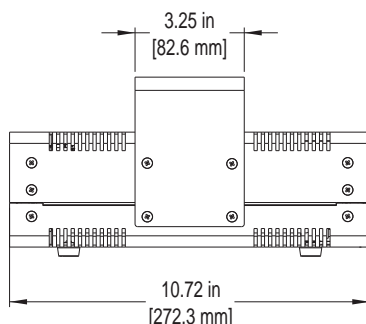
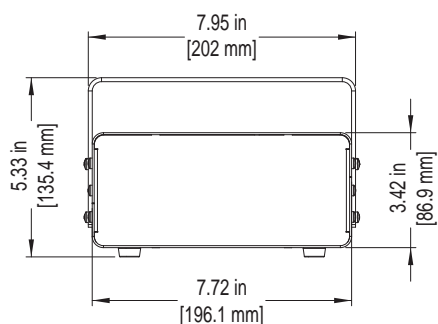
tmb
www.tmb.com

New York
+1 201.896.8600

Beijing
+86 10.8492.1587

Toronto
+1 519.538.0888

Technical Specifications	
Part Number	PPIQB625PR
Ethernet Ports	2
ArtNet/sACN Universes	6 max.
DMX Ports	6
DMX Connectors	Neutrik XLR5 Female
DMX Port Isolation	Optical, up to 1000V
Ethernet Connector	Neutrik EtherCon RJ45
Network Protocols	ArtNet, sACN (E1.31)
Power	100-240V, 50-60 Hz / PoE In (802.3af)
Power Connector	Neutrik PowerCon NAC3MPA
Power Consumption	48 W
Fuse	1 A, 250 V
Operating Temp.	-20° to +40° C
Unit Dimensions (WxHxD)	8.15 x 5.33 x 10.72 in [207 x 136 x 273 mm]
Unit Weight (unpacked)	9.03 lb [4.1 kg]
Shipping Dimensions (WxHxD)	10.25 x 7.3 x 13.5" [261 x 186 x 343 mm]
Shipping Weight	10.20 lbs [4.64 kg]



2U RackMount Kits

