



# YAMAHA QL Editor Installation Guide

## ATTENTION

### SOFTWARE LICENCING AGREEMENT

PLEASE READ THIS SOFTWARE LICENSE AGREEMENT ("AGREEMENT") CAREFULLY BEFORE USING THIS SOFTWARE. YOU ARE ONLY PERMITTED TO USE THIS SOFTWARE PURSUANT TO THE TERMS AND CONDITIONS OF THIS AGREEMENT. THIS AGREEMENT IS BETWEEN YOU (AS AN INDIVIDUAL OR LEGAL ENTITY) AND YAMAHA CORPORATION ("YAMAHA").

BY DOWNLOADING, INSTALLING, COPYING, OR OTHERWISE USING THIS SOFTWARE YOU ARE AGREEING TO BE BOUND BY THE TERMS OF THIS LICENSE. IF YOU DO NOT AGREE WITH THE TERMS, DO NOT DOWNLOAD, INSTALL, COPY, OR OTHERWISE USE THIS SOFTWARE. IF YOU HAVE DOWNLOADED OR INSTALLED THE SOFTWARE AND DO NOT AGREE TO THE TERMS, PROMPTLY DELETE THE SOFTWARE.

#### 1. GRANT OF LICENSE AND COPYRIGHT

Yamaha hereby grants you the right to use the software program(s) and data ("SOFTWARE") accompanying this Agreement. The term SOFTWARE shall encompass any updates to the accompanying software and data. The SOFTWARE is owned by Yamaha and/or Yamaha's licensor(s), and is protected by relevant copyright laws and all applicable treaty provisions. While you are entitled to claim ownership of the data created with the use of SOFTWARE, the SOFTWARE will continue to be protected under relevant copyrights.

- **You may** use the SOFTWARE on **your computer(s).**
- **You may** make one or reasonable copies of the SOFTWARE in machine-readable form for backup purposes only, if the SOFTWARE is on media where such backup copy is permitted. On the backup copy, you must reproduce Yamaha's copyright notice and any other proprietary legends that were on the original copy of the SOFTWARE.
- **You may** permanently transfer to a third party all your rights in the SOFTWARE, provided that you do not retain any copies and the recipient reads and agrees to the terms of this Agreement.

#### 2. RESTRICTIONS

- **You may not** engage in reverse engineering, disassembly, decompilation or otherwise deriving a source code form of the SOFTWARE by any method whatsoever.
- **You may not** reproduce, modify, change, rent, lease, or distribute the SOFTWARE in whole or in part, or create derivative works of the SOFTWARE.
- **You may not** electronically transmit the SOFTWARE from one computer to another or share the SOFTWARE in a network with other computers.
- **You may not** use the SOFTWARE to distribute illegal data or data that violates public policy.
- **You may not** initiate services based on the use of the SOFTWARE without permission by Yamaha Corporation.

Copyrighted data, including but not limited to MIDI data for songs, obtained by means of the SOFTWARE, are subject to the following restrictions which you must observe.

- Data received by means of the SOFTWARE may not be used for any commercial purposes without permission of the copyright owner.
- Data received by means of the SOFTWARE may not be duplicated, transferred, or distributed, or played back or performed for listeners in public without permission of the copyright owner.
- The encryption of data received by means of the SOFTWARE may not be removed nor may the electronic watermark be modified without permission of the copyright owner.

#### 3. TERMINATION

This Agreement becomes effective on the day that you receive the SOFTWARE and remains effective until terminated. If any copyright law or provisions of this Agreement is violated, the Agreement shall terminate automatically and immediately without notice from Yamaha. Upon such termination, you must immediately destroy the licensed SOFTWARE, any accompanying written documents and all copies thereof.

#### 4. DISCLAIMER OF WARRANTY ON SOFTWARE

You expressly acknowledge and agree that use of the SOFTWARE is at your sole risk. The SOFTWARE and related documentation are provided "AS IS" and without warranty of any kind. NOTWITHSTANDING ANY OTHER PROVISION OF THIS AGREEMENT, YAMAHA EXPRESSLY DISCLAIMS ALL WARRANTIES AS TO THE SOFTWARE, EXPRESS, AND IMPLIED, INCLUDING BUT NOT LIMITED TO THE IMPLIED WARRANTIES OF MERCHANTABILITY, FITNESS FOR A PARTICULAR PURPOSE AND NON-INFRINGEMENT OF THIRD PARTY RIGHTS. SPECIFICALLY, BUT WITHOUT LIMITING THE FOREGOING, YAMAHA DOES NOT WARRANT THAT THE SOFTWARE WILL MEET YOUR REQUIREMENTS, THAT THE OPERATION OF THE SOFTWARE WILL BE UNINTERRUPTED OR ERROR-FREE, OR THAT DEFECTS IN THE SOFTWARE WILL BE CORRECTED.

## 5. LIMITATION OF LIABILITY

YAMAHA'S ENTIRE OBLIGATION HEREUNDER SHALL BE TO PERMIT USE OF THE SOFTWARE UNDER THE TERMS HEREOF. IN NO EVENT SHALL YAMAHA BE LIABLE TO YOU OR ANY OTHER PERSON FOR ANY DAMAGES, INCLUDING, WITHOUT LIMITATION, ANY DIRECT, INDIRECT, INCIDENTAL OR CONSEQUENTIAL DAMAGES, EXPENSES, LOST PROFITS, LOST DATA OR OTHER DAMAGES ARISING OUT OF THE USE, MISUSE OR INABILITY TO USE THE SOFTWARE, EVEN IF YAMAHA OR AN AUTHORIZED DEALER HAS BEEN ADVISED OF THE POSSIBILITY OF SUCH DAMAGES. In no event shall Yamaha's total liability to you for all damages, losses and causes of action (whether in contract, tort or otherwise) exceed the amount paid for the SOFTWARE.

## 6. THIRD PARTY SOFTWARE

Third party software and data ("THIRD PARTY SOFTWARE") may be attached to the SOFTWARE. If, in the written materials or the electronic data accompanying the Software, Yamaha identifies any software and data as THIRD PARTY SOFTWARE, you acknowledge and agree that you must abide by the provisions of any Agreement provided with the THIRD PARTY SOFTWARE and that the party providing the THIRD PARTY SOFTWARE is responsible for any warranty or liability related to or arising from the THIRD PARTY SOFTWARE. Yamaha is not responsible in any way for the THIRD PARTY SOFTWARE or your use thereof.

- Yamaha provides no express warranties as to the THIRD PARTY SOFTWARE. IN ADDITION, YAMAHA EXPRESSLY DISCLAIMS ALL IMPLIED WARRANTIES, INCLUDING BUT NOT LIMITED TO THE IMPLIED WARRANTIES OF MERCHANTABILITY AND FITNESS FOR A PARTICULAR PURPOSE, as to the THIRD PARTY SOFTWARE.
- Yamaha shall not provide you with any service or maintenance as to the THIRD PARTY SOFTWARE.
- Yamaha is not liable to you or any other person for any damages, including, without limitation, any direct, indirect, incidental or consequential damages, expenses, lost profits, lost data or other damages arising out of the use, misuse or inability to use the THIRD PARTY SOFTWARE.

## 7. GENERAL

This Agreement shall be interpreted according to and governed by Japanese law without reference to principles of conflict of laws. Any dispute or procedure shall be heard before the Tokyo District Court in Japan. If for any reason a court of competent jurisdiction finds any portion of this Agreement to be unenforceable, the remainder of this Agreement shall continue in full force and effect.

## 8. COMPLETE AGREEMENT

This Agreement constitutes the entire agreement between the parties with respect to use of the SOFTWARE and any accompanying written materials and supersedes all prior or contemporaneous understandings or agreements, written or oral, regarding the subject matter of this Agreement. No amendment or revision of this Agreement will be binding unless in writing and signed by a fully authorized representative of Yamaha.

# Special Notices

- The software and this manual are the exclusive copyrights of Yamaha Corporation.
- Please read carefully the Software Licensing Agreement at the front of this manual before installing the application.
- Copying of the software or reproduction of this manual in whole or in part by any means is expressly forbidden without the written consent of the manufacturer.
- Yamaha makes no representations or warranties with regard to the use of the software and documentation and cannot be held responsible for the results of the use of this manual and the software.
- Future upgrades of application and system software and any changes in specifications and functions will be announced at the following website. <http://www.yamahaproaudio.com/>
- The screen displays as illustrated in this manual are for instructional purposes, and may appear somewhat different from the screens which appear on your computer.
- Copying of the commercially available musical data including but not limited to MIDI data and/or audio data is strictly prohibited except for your personal use.
- Windows is a registered trademark of Microsoft® Corporation in the United States and other countries.
- Apple, Mac, Macintosh and iPad are trademarks of Apple Inc., registered in the U.S. and other countries.
- The company names and product names in this manual are the trademarks or registered trademarks of their respective companies.

# QL Editor

The QL Editor enables you to prepare the QL mixing console (QL5 and QL1: subsequently called QL) settings beforehand by editing the parameters offline, and also remotely monitor/control the QL online.

## Installing the Software

Procedures		
<b>1</b>	Verify that your system meets the operating requirements of each software program.	<a href="#">page 4</a>
<b>2</b>	Install the Editor.	<a href="#">page 4</a>
<b>3</b>	Configure the network settings.	<a href="#">page 6</a>

For subsequent operations, refer to the PDF manual from the [HELP] menu in software program.

# Software installation

## Minimum System Requirements

The system requirements below may differ slightly depending on the particular operating system.

OS	Windows 7 SP1 : Ultimate/Professional/Home Premium Windows 8 : /Pro Windows 8.1 : /Pro Mac OS X : 10.7.x/10.8.x/10.9.x
Hard Disk	100MB or more
Display	1024 x 768 pixels or higher (recommend 1440 x 900 pixels or higher); High Color (16-bit) or higher
Other	Pointing device such as a mouse, Ethernet (100BASE-TX/10BASE-T) port

### Windows

CPU	32bit: 2GHz or higher Intel Core/Pentium/Celeron family processor 64bit: Intel 64 compatible processor (however the software program runs at 32bit)
Available Memory	1GB or more (2GB or more on 64-bit Version)

### Mac OS X

CPU	Intel Core family processor
Available Memory	2GB or more

**NOTE** The Minimum System Requirements described above are applied to the QL Editor version 1.0.0. Keep in mind that the software is often updated and the system requirements are subject to change. You can check the latest version information of each program and its system requirements at the following website  
<http://www.yamahaproaudio.com/>

The system requirements may differ slightly depending on the particular computer.  
However, operation using a touch panel is not guaranteed.

## Installing software

To use QL Editor, you'll not need to install the other software program besides QL Editor. Follow the appropriate instructions below.

### QL Editor Installation

Follow the instructions below to install the software programs.

#### 1 Double-click “setup.exe” (Windows) or “Install QL Editor V\*\*\*.pkg” (Mac) in the compressed file (you have downloaded).

A setup dialog of QL Editor is displayed.

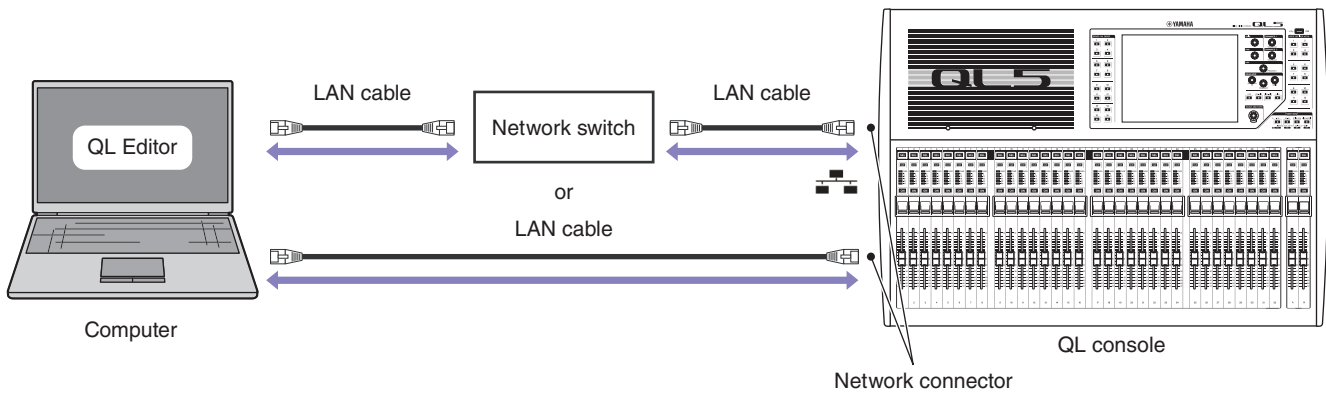
**NOTE** When using Windows, if the “User Account Control” window appears, click [Continue] or [Yes].  
\*\*\* indicates the version number.

#### 2 Follow the on-screen instructions to install the software.

**NOTE** For specific instructions on using the software, refer to the PDF manual from the [HELP] menu in program.

## Connecting the computer to the QL

The following diagram shows how to connect the computer to the QL through a dedicated network.



**NOTE** You cannot simultaneously control one QL unit from two computers running QL Editor. However, you can control the QL unit using QL Editor on a computer along with the QL StageMix application installed on an iPad that is connected via WiFi.

# Network Settings

## When you connect the computer to the QL through a dedicated network

---

- **Settings of the QL**

You can use the following initial settings.

IP address	192.168.0.128
Subnet mask	255.255.255.0
Gateway address	192.168.0.1

- **Settings of the computer**

We recommend that you make the following settings.

IP address	192.168.0.100
Subnet mask	255.255.255.0
Default gateway (Router)	192.168.0.1

## When you connect the computer to the QL in the existing network

---

Make the network settings of the QL and your computer in accordance with your LAN. Please contact your network administrator for further details. For specific instructions and caution for connecting the QL to LAN, please refer to the following web site:

<http://www.yamahaproaudio.com/>

- **Settings of the QL**

IP address	Set the IP address so that it does not conflict with the IP address of any other device on the network.
Gateway address	Set the IP address of the gateway when the gateway exists. Set the vacant address when the gateway does not exist. The address should be set in the same subnet as IP address within LAN in which the subnet is set.
Subnet mask	Set the subnet mask of the subnet connected to the QL.

## Accessing the Control Panel (Windows)

---

The method of accessing the control panel will depend on your operating system.

### When using Windows 7

Select [Start] → [Control Panel].

### When using Windows 8

#### 1 From the Start screen, click [Desktop].

The desktop appears.

#### 2 Move the cursor to the upper right or lower right of the desktop.

The charms bar appears.

#### 3 Select [Settings] → [Control Panel].

## TCP/IP Settings

---

### When using Windows

#### 1 Select [Control Panel], then click or double-click [Network and Sharing Center] or [View network status and tasks].

The “Network and Sharing Center” is displayed.

#### 2 Click [Manage network connection] or [Change Adapter settings] from the “Tasks” list located in the left side of “Network and Sharing Center” window, then double-click [Local Area Connection].

The “Local Area Connection Status” dialog box will be displayed.

**NOTE** The “User Account Control” dialog box may appear. Click [Continue].

**NOTE** If the “Local Area Connection properties” dialog box appears, skip ahead to step 4.

#### 3 Click [Properties].

The “Local Area Connection properties” dialog box will be displayed.

**NOTE** The “User Account Control” dialog box may appear. Click [Continue].

#### 4 Select [Internet Protocol Version 4(TCP/IPv4)], then click [Properties].

The “Internet Protocol Version 4(TCP/IPv4) Protocol” dialog box will be displayed.

#### 5 Click [Use the following IP address].

#### 6 Enter your computer’s IP address into [IP address], the Gateway’s IP address into [Default gateway], and “255.255.255.0” into [Subnet mask].

**NOTE** Please contact your network administrator for these settings when you connect the computer to the QL in the existing network.

#### 7 Click [OK].

#### 8 Restart your computer.

## When using Mac OS X

### 1 Click the [System Preferences] icon on Dock.

The “System Preferences” window appears.

### 2 Click the [Network] icon.

The “Network” window appears.

### 3 Click [Ethernet].

The Ethernet settings appears.

**NOTE** If there are multiple Ethernet choices, select the one that is connected to the device.

### 4 Select [Manually] in [Configure IPv4] or [Configuration]. Input the IP address of the computer in [IP Address], “255.255.255.0” in [Subnet Mask], and the IP address of the router (gateway) in [Router] individually.

**NOTE** Please contact your network administrator for these settings when you connect the computer to the QL in the existing network.

### 5 Click [Apply].

The network settings are applied.



## Uninstall (removing the installed application)

To remove the installed Editor:

### When using Windows

Use the [Control Panel](#) to uninstall an application.

Select [Control Panel] → [Programs and Features] or [Uninstall a program], then select the application to be removed and click [Uninstall/Change].

Follow the on-screen instructions to uninstall the application.

If the “User Account Control” window appears, click [Continue] or [Yes].

### When using Mac OS X

Double-click “Uninstall QL Editor.app” in the downloaded folder. After a dialog opens, follow the on-screen instructions to uninstall the application.

## Troubleshooting

### When controlling the QL from your computer via LAN, the QL does not operate correctly.

- **Is the LAN cable connected correctly?**
  - Connect the computer to the QL by using a LAN cable via a network switch.
  - Or connect the computer to the QL directly using a LAN cable.
  - Check whether you may have mistakenly connected the cable to the Dante jack. .... [page 5](#)
- **Are the network settings correct on the QL unit and on the computer?**
  - Check the network settings (IP address, gateway address, subnet mask) of the QL unit and of your computer. .... [page 6](#)
- **In QL Editor's System setup window, is the IP address of the QL unit correctly specified in the Network field?**
  - ..... QL Editor Owner's Manual
- **Is the firewall / an anti-virus software (security function) enabled?**
  - In that case, you might experience problems controlling QL console.



Yamaha Pro Audio Global Web Site  
<http://www.yamahaproaudio.com/>  
Yamaha Manual Library  
<http://www.yamaha.co.jp/manual/>

C.S.G., PA Development Division  
© 2014 Yamaha Corporation

402IP-A0