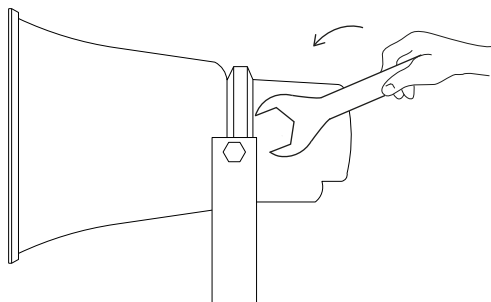
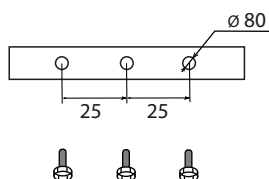


## INSTALLATION MANUAL

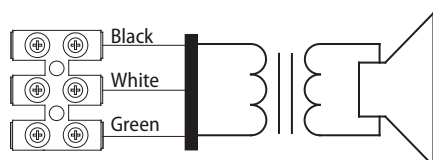
- ① Remove mounting bracket from horn loudspeaker.



- ② Fix mounting bracket on the flat surface.



- ③ Connect speaker to signal line via block terminal.



Wire color	Power taps
Black	COM
White	20 W
Green	10 W

- ④ Place loudspeaker in mounting bracket, set necessary corner and tighten the screws.

