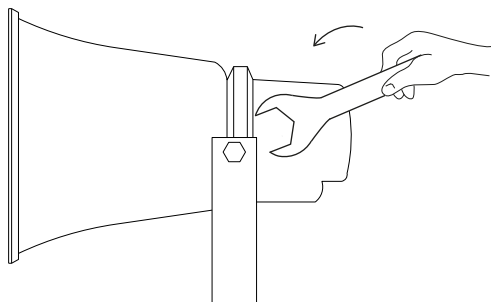
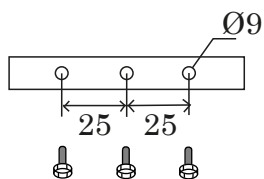


## INSTALLATION MANUAL

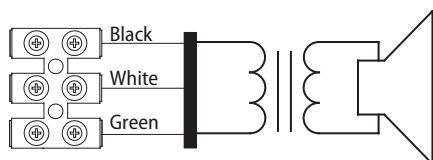
- ① Remove mounting bracket from horn loudspeaker.



- ② Fix mounting bracket on the flat surface.



- ③ Connect speaker to signal line via block terminal.



COLOR	HQ 15
Black	COM
White	15 W
Green	7.5 W

- ④ Place loudspeaker in mounting bracket.

