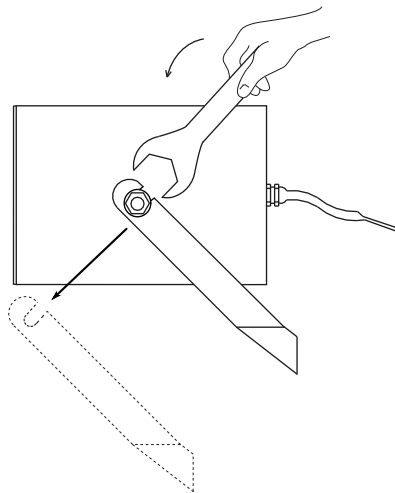
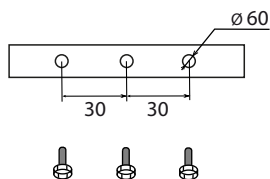


INSTALLATION MANUAL

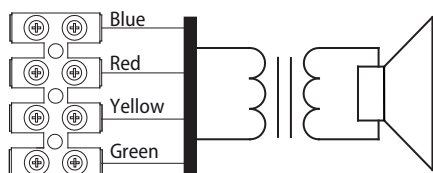
- ① Loosen the screws and remove mounting bracket from loudspeaker.



- ② Fix mounting bracket on the flat surface.



- ③ Connect speaker to signal line via block terminal.



Wire color	Power taps
Blue	COM
Red	20 W
Yellow	10 W
Green	5 W

- ④ Place loudspeaker in mounting bracket, set necessary corner and tighten the screws.

