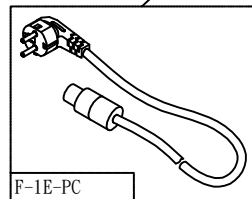
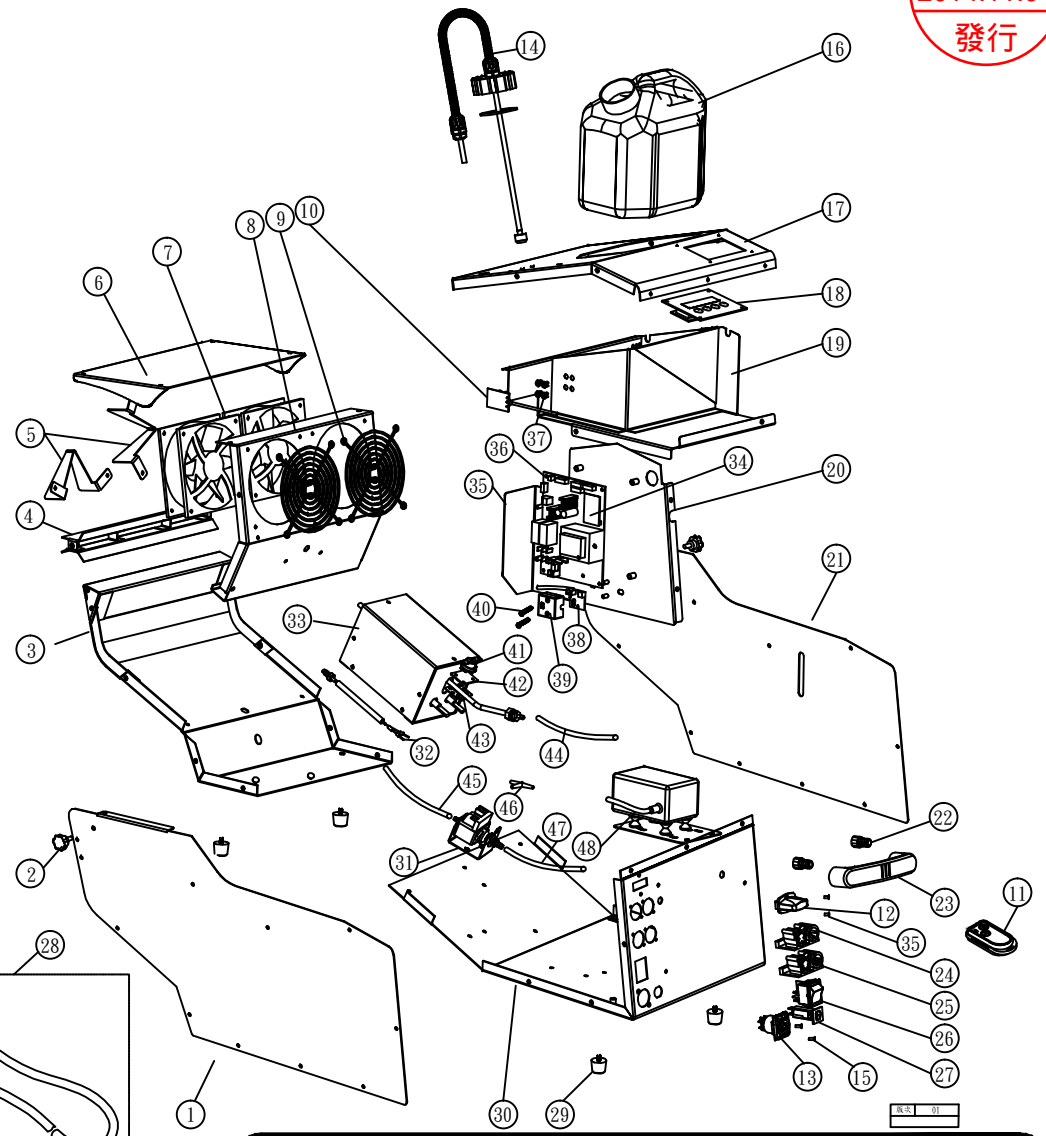


# SPARE PARTS OF F-1E (230V)

- ① F0010LH01 Side Panel/Left
- ② C01015001 M5x12L Screw
- ③ AH1500500-ATR Handle/Front
- ④ X31001201-ML Air Guide Plate
- ⑤ Z03500600 Deflector
- ⑥ AH1500400-ATR Steel Case/Front Cover
- ⑦ C042042E0 Fan
- ⑧ AH1500601-ATR Fan Base
- ⑨ C04205200 Guardrail
- ⑩ B06515000 P.C Board(LED Indicator)
- ⑪ W-1E W-1 Wireless Controller
- ⑫ W-1RWE W-1 Wireless Receiver(WDMX)
- ⑬ C04312600 Power socket
- ⑭ F-1-TKC Tank's Cap(Group)
- ⑮ D01034B00 SCREW/M3\*10
- ⑯ F-1-TK Tank
- ⑰ F00100H00 Steel Case/Back Cover
- ⑱ F-1-PCBC Control P.C Board (LCD PANEL)
- ⑲ F00100100 Tank Base
- ⑳ F00100200 Binder
- ㉑ F0010RH01 Side Panel/Right
- ㉒ C01013000 M8x12L Screw
- ㉓ C02014300 Handle
- ㉔ F-1-PCBD3 P.C Board(DMX)include 3pin Socket
- ㉕ F-1-PCBD5 P.C Board(DMX)include 5pin Socket
- ㉖ C04000100 Rocker Switch/Power
- ㉗ C04101500 Breaker (T4A250V/230V)
- ㉘ F-1E-PC Power Cord & Plug
- ㉙ C02003500 Foot
- ㉚ F0010LL00 Steel Case/Back Base
- ㉛ F-1E-P Pump (Group)
- ㉜ C045E0610 Temperature Sensor
- ㉝ F-1E-H Heater (Group)
- ㉞ C049198A0 W-DMX Board
- ㉟ D01030A00 SCREW/M3\*6-F-BLACK
- ㊱ F-1E-PCB Main P.C Board
- ㊲ D04022000 Ring Bushing
- ㊳ F-1-PCBS Infrared Ray Liquid Sensor PC Board
- ㊴ C02005801 Sensor Plastic Cap
- ㊵ D01013A00 M3x15L Screw
- ㊶ C041073B0 Thermostat(220°C)(手動)
- ㊷ C00007500 Upper Plate for Sensor
- ㊸ C00007601 Lower Plate for Sensor
- ㊹ C02014911 PU Tube(6X3.3)
- ㊺ C02014901 PU Tube(5X2.6)
- ㊻ C02030200 Air Connection
- ㊼ C02017501 PU Tube(4X8)
- ㊽ F-1E-PA Air Pump

文管中心  
 2014.11.04  
 發行



**Antari** Fog Machine  
 Antari Lighting And Effects Ltd.  
 育安照明企業股份有限公司