



**ArcShine S9-18FC**  
9/18x2W IP66 RGB + Warm White architectural linear fixture, 50/100 cm

**ArcShine S9-18VW**  
9/18x2W IP66 Variable White architectural linear bar, 50/100 cm



---

# USER MANUAL

---

## Thank you for choosing PROLIGHTS

Please note that every PROLIGHTS product has been designed in Italy to meet quality and performance requirements for professionals and designed and manufactured for the use and application as shown in this document.

Any other use, if not expressly indicated, could compromise the good condition/operation of the product and/or be a source of danger.

This product is meant for professional use. Therefore, commercial use of this equipment is subject to the respectively applicable national accident prevention rules and regulations.

Features, specifications and appearance are subject to change without notice. Music & Lights S.r.l. and all affiliated companies disclaim liability for any injury, damage, direct or indirect loss, consequential or economic loss or any other loss occasioned by the use of, inability to use or reliance on the information contained in this document.

Product user manual can be downloaded from the website [www.prolights.it](http://www.prolights.it), or can be inquired to the official PROLIGHTS distributors of your territory ([https://www.prolights.it/sales\\_network.html](https://www.prolights.it/sales_network.html)).

Scanning the below **QR Code**, you will access the download area of the product page, where you can find a broad set of always updated technical documentation: specifications, user manual, technical drawings, photometrics, personalities, fixture firmware updates.



ARCSHINES9FC



ARCSHINES9VW

Visit the download area  
of the product page



ARCSHINES18FC



ARCSHINES18VW



The PROLIGHTS Logo, PROLIGHTS names and all other trademark in this document pertaining to PROLIGHTS services or PROLIGHTS product are trademarks OWNED or licensed by Music & Lights S.r.l., its affiliates, and subsidiaries. PROLIGHTS is a registered trademark by Music & Lights S.r.l. All right reserved. Music & Lights – Via A. Olivetti, snc - 04026 - Minturno (LT) ITALY.

# INDEX

<b>SAFETY INFORMATION</b>	<b>02</b>
<b>1 - PACKAGING</b>	<b>05</b>
PACKAGE CONTENT .....	05
OPTIONAL ACCESSORIES .....	05
<b>2 - TECHNICAL DRAWING</b>	<b>06</b>
<b>3 - INSTALLATION</b>	<b>07</b>
MOUNTING .....	07
<b>4 - PRODUCT OVERVIEW</b>	<b>08</b>
<b>5 - CONNECTION TO THE MAINS SUPPLY</b>	<b>09</b>
<b>6 - DMX CONNECTION</b>	<b>10</b>
CONNECTION OF THE CONTROL SIGNAL: DMX LINE .....	10
INSTRUCTIONS FOR A RELIABLE DMX CONNECTION .....	10
CONNECTION DAISY CHAIN OF THE DMX LINE .....	10
CONSTRUCTION OF THE DMX TERMINATION .....	11
DMX ADDRESSING .....	11
<b>7 - RDM FUNCTIONS</b>	<b>12</b>
<b>8 - OPERATION VIA DATAMASTER</b>	<b>14</b>
RDM SETTING .....	14
STAND ALONE FUNCTION .....	14
<b>9 - MENU STRUCTURE</b>	<b>15</b>
<b>10 - DMX CHARTS</b>	<b>19</b>
RDM Personality ID List .....	19
FC Variant - DMX Chart Summary .....	19
RDM Model ID .....	19
Product Variant .....	19
ID .....	19
VW Variant - DMX Chart Summary .....	23
<b>11 - ACCESSORIES INSTALLATION</b>	<b>25</b>
LIGHT DIFFUSION FILTER (ARCSS18FILTER20/40/60/1060/3060, ARCSS9FI TER20/40/60/1060/3060 - OPTIONAL) .....	25
BARNDOR (ARCS18FIXBD, ARCS9FIXBD - OPTIONAL) .....	26
<b>12 - MAINTENANCE</b>	<b>27</b>
MAINTENANCE AND CLEANING THE PRODUCT .....	27
VISUAL CHECK OF PRODUCT HOUSING .....	27
TROUBLESHOOTING .....	28

# SAFETY INFORMATION



## WARNING!

- Please read carefully the instruction reported in this section before installing, powering, operating or servicing the product and observe the indications also for its future handling.



**This unit is not for household and residential use, only professional applications.**



## Connection to mains supply

- The Connection to the mains supply must be carried out by a qualified electrical installer.
- Use only AC supplies 100-240V 50-60 Hz, the fixture must be electrically connected to ground (earth).
- Select the cable cross section in according with the maximum current draw of the product and the possible number of products connected at the same power line.
- The AC mains power distribution circuit must be equipped with magnetic+residual current circuit breaker protection.
- Do not connect it to a dimmer system; doing so may damage the product.



## Protection and Warning against electrical shock

- Do not remove any cover from the product, always disconnect the product from AC power before servicing.
- Ensure that the fixture is electrically connected to ground (earth). And use only a source of AC power that complies with local building and electrical codes and has both overload and ground-fault (earth-fault) protection.
- Before using the fixture, check that all power distribution equipment and cables are in perfect condition and rated for the current requirements of all connected devices.
- Isolate the fixture from power immediately if the power plug or any seal, cover, cable, or other components are damaged, defective, deformed or showing signs of overheating.
- Do not reapply power until repairs have been completed.
- Refer any service operation not described in this manual to PROLIGHTS Service team or an authorized PROLIGHTS service center.



## Installation

- Make sure that all visible parts of the product are in good visible condition before its use or installation.
- Make sure the point of anchorage is stable before positioning the projector.
- When suspending the fixture above ground level, secure it against failure of primary attachments by attaching a safety cable that is approved as a safety attachment for the weight of the fixture to the attachment point on the main frame of the product. In case the safety cable, enter in action, it needs to be replaced with a new one.
- Install the product only in well ventilated places.
- For non temporary installations, ensure that the fixture is securely fastened to a load-bearing surface with suitable corrosion-resistant hardware.
- For a temporary installation with clamps, ensure that the quarter-turn fastener and/or screws are turned fully, and secured with a suitable safety cable.



## Minimum distance of illuminated objects

- The projector needs to be positioned so that the objects hit by the beam of light are at least 0.5 meters (1.64 ft) from the lens of the projector.

**T<sub>a</sub> 45°C**

## Max operating ambient temperature (T<sub>a</sub>)

- Do not operate the fixture if the ambient temperature (T<sub>a</sub>) exceeds 45 °C (113 °F).

**T<sub>a</sub> -20°C**

### Minimum operating ambient temperature (T<sub>a</sub>)

- Do not operate the fixture if the ambient temperature (T<sub>a</sub>) is below -20 °C (-4 °F).



### Protection from burns and fire

- The exterior of the fixture becomes hot during use. Avoid contact by persons and materials.
- Ensure that there is free and unobstructed airflow around the fixture.
- Keep flammable materials well away from the fixture.
- Do not expose the front glass to sunlight or any other strong light source from any angle. Lenses can focus the sun's rays inside the fixture, creating a potential fire hazard.
- Do not attempt to bypass thermostatic switches or fuses.

**IP66**

### Permanent Outdoor use

- This product is rated with an IP (Ingress protection) for permanent outdoor use when used and serviced according to the instruction contained in this document.
- Never use the fixture in places subject to vibrations or bumps.
- Make certain that no inflammable liquids, water or metal objects enter the fixture.
- Excessive dust, smoke fluid, and particle build up degrades performance, causes overheating and will damage the fixture.
- Damages caused by inadequate cleaning or maintenance are not covered by the product warranty.

**T<sub>c</sub> 60°C**

### Temperature of the external surface

- The surface of the fixture can reach up to 60 °C (140 °F) during operation. Avoid contact with people and materials.



### Maintenance

- Warning! Disconnect the fixture from AC mains power and allow to cool for at least 10 minutes before handling.
- Only technicians who are authorized by PROLIGHTS or Authorised service partners are permitted to open the fixture.
- Users may carry out external cleaning, following the warnings and instructions provided, but any service operation not described in this manual must be referred to a qualified service technician.
- Important! Excessive dust, smoke fluid, and particle build up degrades performance, causes overheating and will damage the fixture. Damages caused by inadequate cleaning or maintenance is not covered by the product warranty.



### Photobiological safety

- This device emits potentially dangerous optical radiation and is identified in the category of Risk Group 0 according to EN 62471.



### Do not stare at the operating light source

- Do not look directly at the LED source during operation. It can be harmful to the eyes and skin.
- During Installation, operation and maintenance, be prepared for the fixture to light and move suddenly when connected to power.



### Disposal

- This product is supplied in compliance with European Directive 2012/19/EU – Waste Electrical and Electronic Equipment. (WEEE). To preserve the environment please dispose/ recycle this product at the end of its life according to the local regulation.



**The products to which this manual refers comply with:**

- 2014/35/EU - Safety of electrical equipment supplied at low voltage (LVD);
- 2014/30/EU - Electromagnetic Compatibility (EMC);
- 2011/65/EU - Restriction of the use of certain hazardous substances (RoHS);
- 2014/53/EU - Radio Equipment Directive (RED).



**The products to which this manual refers comply with:**

- UL 1573 + CSA C22.2 No. 166 - Stage and Studio Luminaires and Connector Strips.
- UL 1012 + CSA C22.2 No. 107.1 - Standard for power units other than class 2.



**FCC Compliance:**

- This device complies with Part 15 of the FCC Rules. Operation is subject to the following two conditions:
  1. This device may not cause harmful interference, and
  2. This device must accept any interference received, including interference that may cause undesired operation.



**Other approvals**

- The product meets the safety requirements of the certification procedures of the market in which it is placed and sold.

# 1 - PACKAGING

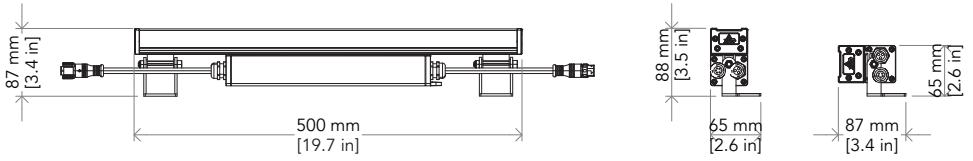
## PACKAGE CONTENT

- 1x ARCSHINES9FC / ARCSHINES18FC / ARCSHINES9VW / ARCSHINES18VW
- 1x BARE END - IP connection adapter
- 1x 5p XLR - IP connection male adapter
- 1x 5p XLR - IP connection female adapter
- User Manual

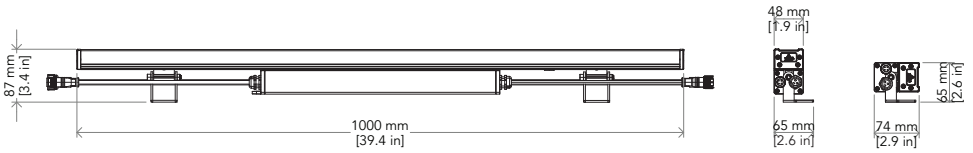
## OPTIONAL ACCESSORIES

- AWEXAC2L03: extension IP67 power cable, IPpowercon-F -> IPpowercon-M, 3m.
- AWEXAC2L05: extension IP67 power cable, IPpowercon-F -> IPpowercon-M, 5m.
- AWEXAC2L10: extension IP67 power cable, IPpowercon-F -> IPpowercon-M, 10m.
- AWEXAC2L20: extension IP67 power cable, IPpowercon-F -> IPpowercon-M, 20m.
- AWEXDC2L03: extension IP67 signal cable, IPdataCON-F -> IPdataCON-M, 3m.
- AWEXDC2L05: extension IP67 signal cable, IPdataCON-F -> IPdataCON-M, 5m.
- AWEXDC2L10: extension IP67 signal cable, IPdataCON-F -> IPdataCON-M, 10m.
- AWEXDC2L20: extension IP67 signal cable, IPdataCON-F -> IPdataCON-M, 20m.
- ARCS9FIXBD: barndoor to adjust the light beam for ARCSHINES9 and ARCSHINEM9.
- ARCS18FIXBD: barndoor to adjust the light beam for ARCSHINES18 and ARCSHINEM18.
- ARCSS9FILTER20: light diffusion filter for ARCSHINES9, 20°.
- ARCSS9FILTER40: light diffusion filter for ARCSHINES9, 40°.
- ARCSS9FILTER60: light diffusion filter for ARCSHINES9, 60°.
- ARCSS9FILTER1060: light diffusion filter for ARCSHINES9, 10°x60°.
- ARCSS9FILTER3060: light diffusion filter for ARCSHINES9, 30°x60°.
- ARCSS18FILTER20: light diffusion filter for ARCSHINES18, 20°.
- ARCSS18FILTER40: light diffusion filter for ARCSHINES18, 40°.
- ARCSS18FILTER60: light diffusion filter for ARCSHINES18, 60°.
- ARCSS18FILTER1060: light diffusion filter for ARCSHINES18, 10°x60°.
- ARCSS18FILTER3060: light diffusion filter for ARCSHINES18, 30°x60°.
- ARCSSM9OUTERCASE: outercase box for ground installation for ARCSHINES9 and ARCSHINEM9 series.
- ARCSSM18OUTERCASE: outercase box for ground installation for ARCSHINES18 and ARCSHINEM18 series.
- UPBOX1UP5: firmware uploader kit, USB IN, 5pin XLR DMX OUT, USB OUT.

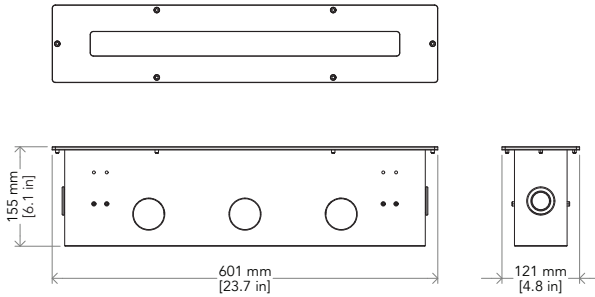
## 2 - TECHNICAL DRAWING



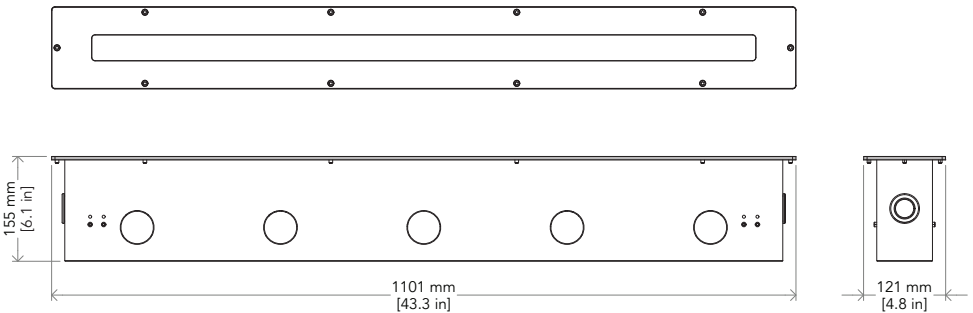
ARCSHINES9 weight: 1.95 kg - 4.29 lbs



ARCSHINES18 weight: 3.5 kg - 7.71 lbs



ARCSSM9OUTERCASE weight: 5 kg - 11,02 lbs



ARCSSM18OUTERCASE weight: 10 kg - 22,04 lbs

Fig. 01



# 3 - INSTALLATION

## MOUNTING

Check that the supporting structure can safely bear the weight of all installed fixtures, clamps, cables, auxiliary equipment, etc. and complies with locally applicable regulations.

When suspending the fixture above ground level, secure it against failure of primary attachments by attaching a safety wire that is approved as a safety attachment for the weight of the fixture to an anchor point on the product main frame.

Do not use removable parts or weak anchors for secondary attachment.

Warning! When clamping the fixture to a truss or other structure at any angle, use clamps of half-coupler type. Do not use any type of clamp that does not completely encircle the structure when fastened.

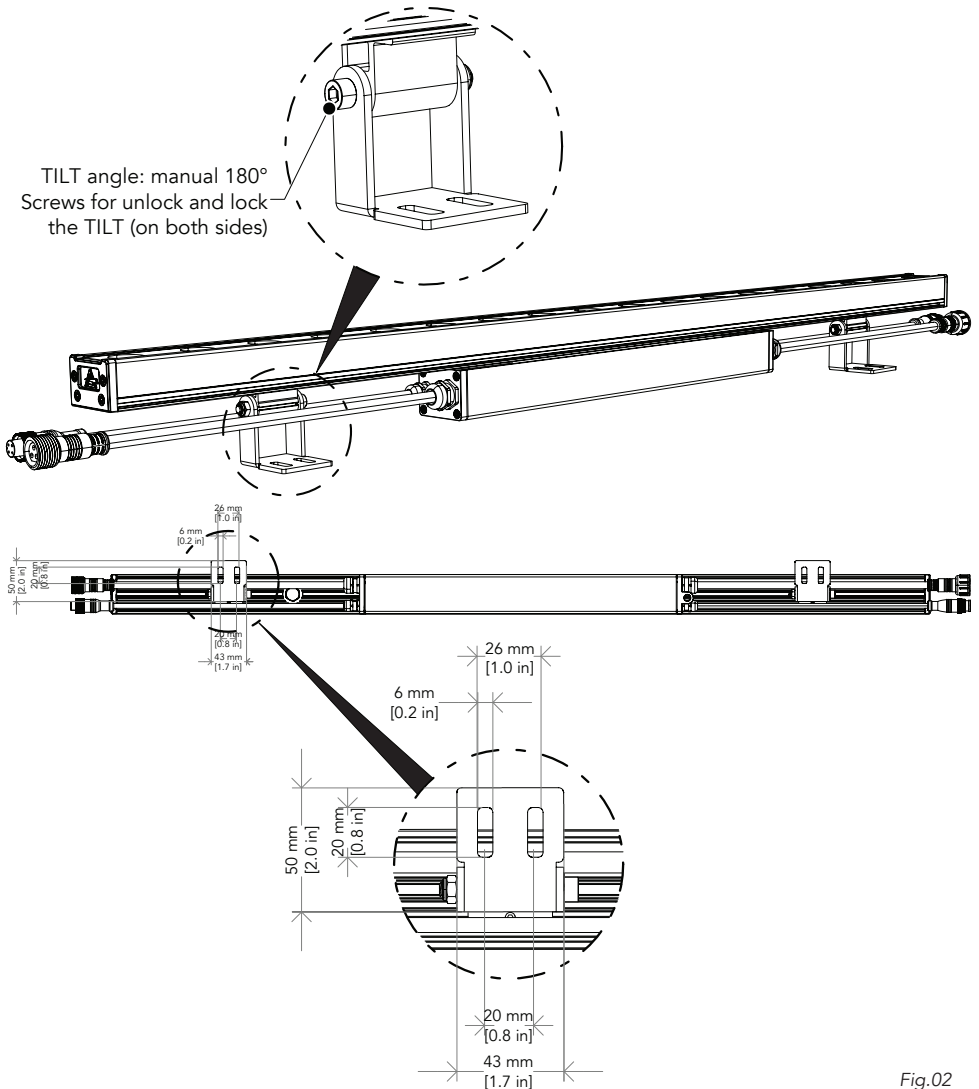


Fig.02

## 4 - PRODUCT OVERVIEW

1. POWER IN: for connection to the Mains 100-240V~/50-60Hz.
2. DMX IN (5-p XLR): 1 = GND, 2 = sign-, 3 = sign+, 4 N/C, 5 N/C.
3. DMX OUT (5-p XLR): 1 = GND, 2 = sign-, 3 = sign+, 4 N/C, 5 N/C.
4. POWER OUT: power output for connection of multiple units in series.
5. BRACKET for fastening.
6. GORE VALVE;
7. SAFETY EYE to attach safety cable.

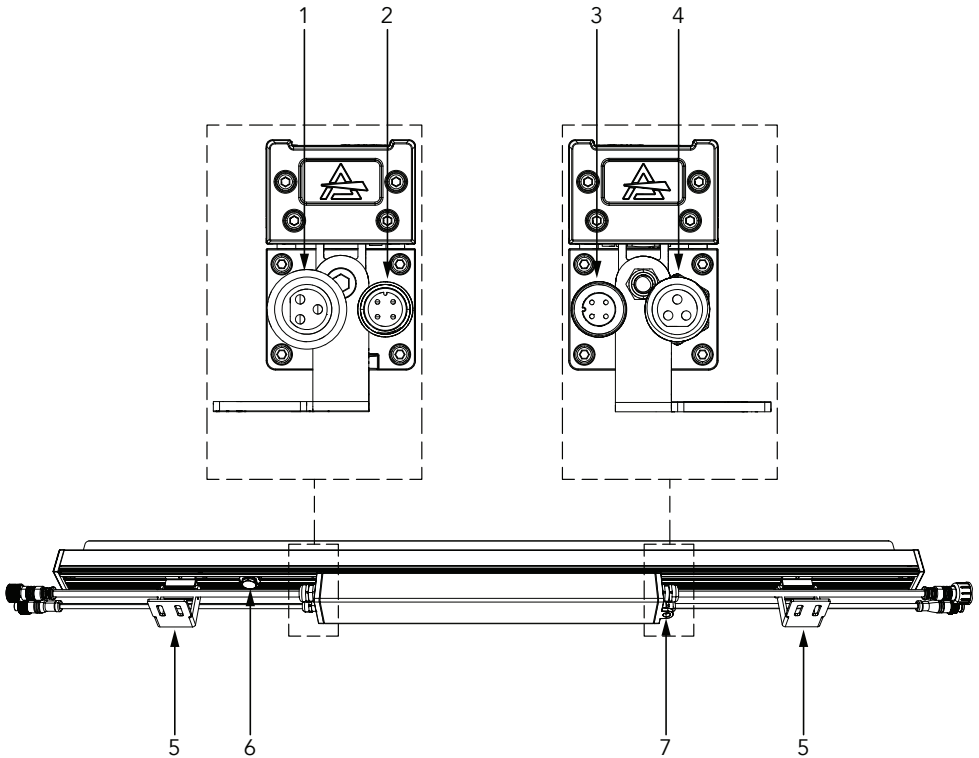


Fig. 03

## 5 - CONNECTION TO THE MAINS SUPPLY

**WARNING:** For protection from electric shock, the fixture must be earthed!

The product is equipped with auto-switching power supply that automatically adjusts to any 50-60Hz AC power source from 100-240 Volts.

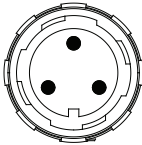
If you need to install a power plug on the power cable to allow connection to power outlets, install a grounding-type (earthed) plug, following the plug manufacturer's instructions. If you have any doubts about proper installation, consult a qualified electrician.

The max power consumption is 17,5 W for ARCSHINES9 while it is 40 W ARCSHINES18.

You can link up to 30 at 230 V ARCSHINES9, 15 for ARCSHINES18. Never exceed this number. Power linking cords can be purchased separately.

Core (EU)	Core (US)	Connection	Plug terminal marking
Brown	Black	Live	L
Blue	White	Neutral	N
Yellow+green	Green	Earth	E

### MALE POWER IP67 CONNECTOR



### FEMALE POWER IP67 CONNECTOR

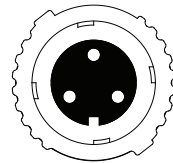
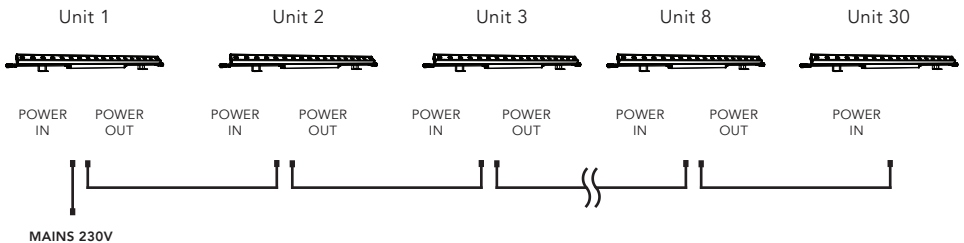


Fig. 04



**NOTE:** when not using the Power output connectors, you must seal the cable ends with the supplied caps.

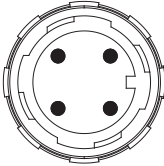
Fig. 05 - Example configuration (Output at 230 V)

## 6 - DMX CONNECTION

### CONNECTION OF THE CONTROL SIGNAL: DMX LINE

The product has connectors for DMX input and output.  
The default pin-out on both connectors is as the following diagram:

#### DMX - INPUT IP67 CONNECTOR



Pin1 : GND - Shield  
Pin2 : - Signal  
Pin3 : + Signal

#### DMX - OUTPUT IP67 CONNECTOR

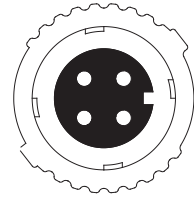


Fig. 06

### INSTRUCTIONS FOR A RELIABLE DMX CONNECTION

Use shielded twisted-pair cable designed for RS-485 devices: standard microphone cable cannot transmit control data reliably over long runs. 24 AWG cable is suitable for runs up to 300 meters (1000 ft). Heavier gauge cable and/or an amplifier is recommended for longer runs.  
To split the data link into branches, use splitter-amplifiers in the connection line.  
Do not overload the link. **Up to 32 devices may be connected on a serial link.**

**NOTE:** To connect the unit to your DMX network, it is necessary to use the adapters XLR 5 pin-IP67 signal connector, supplied with this product.

### CONNECTION DAISY CHAIN OF THE DMX LINE

Connect the DMX data output from the DMX source to the product DMX input (male connector).  
Run the data link from the product DMX output (female connector) connector to the DMX input of the next fixture.  
Terminate the data link by connecting a 120 Ohm signal termination.  
The termination is prepared by 120Ω 1/4 W resistor between pins 2 and 3 of the male DMX connector.  
Install a DMX termination plug on the last fixture on the link. If a splitter is used, terminate each branch of the link.

**NOTE:** when not using the DMX input or DMX output connectors, you must seal the cable ends with the supplied caps.

The following diagram shows the DMX connection:

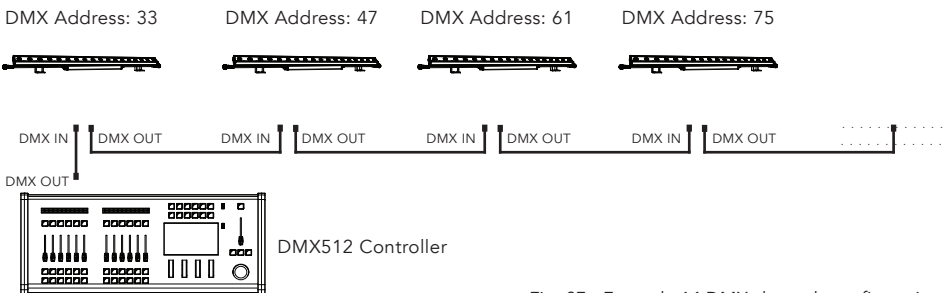


Fig. 07 - Example 14 DMX channels configuration

## CONSTRUCTION OF THE DMX TERMINATION

The termination is prepared by soldering a  $120\Omega$  1/4 W resistor between pins 2 and 3 of the male XLR connector, as shown in figure.

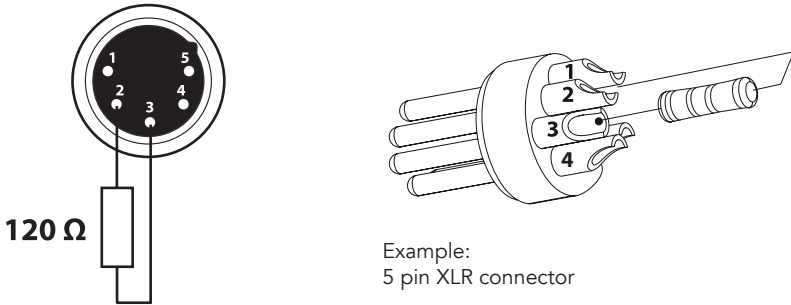


Fig. 07

## DMX ADDRESSING

In order to start controlling the product via DMX, the first step is to select a DMX address, also known as the start channel, this is the first channel used to receive instructions from a DMX controller. If you wish to control the product individually, it is necessary to assign a different starting address channel to each fixture.

The number of channels occupied from the product depends on the DMX mode selected, so always verify the DMX Mode in the MENU before start addressing.

If you assign two fixtures the same address, they will be executing the same behaviour. Selecting the same address to multiple fixtures can be useful for diagnostic purposes and symmetrical control.

DMX addressing is limited to make it impossible to set the DMX address so high that you are left without enough control channels for the product.

To set the fixture's DMX address:

1. Press ENTER to open the main menu.
2. Reach the addressing menu, then select the DMX ADDRESS settings.
3. Select the address from 1 to 512 using the navigation arrows/buttons and confirm by pressing ENTER.
4. Press Menu to exit and return to the Home screen.

## 7 - RDM FUNCTIONS

The product can communicate using RDM (Remote Device Management) protocol over a DMX512 Networks.

RDM is a bi-directional communications protocol for use in DMX512 control systems, it is the open standard for DMX512 device configuration and status monitoring.

The RDM protocol allows data packets to be inserted into a DMX512 data stream without affecting existing non-RDM equipment. It allows a console or dedicated RDM controller to send commands to and receive messages from specific fixtures.

The PIDs in the following tables are supported in the product.

Category	Parameter	PID	GET	SET
<b>Product Information</b>	DEVICE_INFO	0x0060	x	
	PRODUCT_DETAIL_ID_LIST	0x0070	x	
	DEVICE_MODEL_DESCRIPTION	0x0080	x	
	MANUFACTURER_LABEL	0x0081	x	
	DEVICE_LABEL	0x0082	x	x
	FACTORY_DEFAULTS	0x0090	x	x
	SOFTWARE_VERSION_LABEL	0x00C0	x	
	BOOT_SOFTWARE_VERSION_ID	0x00C1	x	
<b>DMX512 Setup</b>	DMX_PERSONALITY	0x00E0	x	x
	DMX_PERSONALITY_DESCRIPTION	0x00E1	x	
	DMX_START_ADDRESS	0x00F0	x	x
	SLOT_INFO	0x0120	x	
	SLOT_DESCRIPTION	0x0121	x	
	DEFAULT_SLOT_VALUE	0x0122	x	
	DMX_BLOCK_ADDRESS	0x0140	x	x
	DMX_FAIL_MODE	0x0141	x	x
<b>Dimmer Settings</b>	DMX_STARTUP_MODE	0x0142	x	x
	DIMMER_INFO	0x0340	x	
	MINIMUM_LEVEL	0x0341	x	x
	MAXIMUM_LEVEL	0x0342	x	x
	CURVE	0x0343	x	x
	CURVE_DESCRIPTION	0x0344	x	x
	OUTPUT_RESPONSE_TIME	0x0345	x	x
	OUTPUT_RESPONSE_TIME_DESCRIPTION	0x0346	x	
<b>Sensors</b>	MODULATION_FREQUENCY	0x0347	x	x
	MODULATION_FREQUENCY_DESCRIPTION	0x0348	x	
	SENSOR_DEFINITION	0x0200	x	
	SENSOR_VALUE	0x0201	x	x
	RECORD_SENSORS	0x0202		x
	BURN_IN	0x0440	x	x

<b>Category</b>	<b>Parameter</b>	<b>PID</b>	<b>GET</b>	<b>SET</b>
<b>Power/Lamp Settings</b>	DEVICE_HOURS	0x0400	x	x
	LAMP_HOURS	0x0401	x	x
	LAMP_STRIKES	0x0402	x	x
	LAMP_STATE	0x0403	x	x
	LAMP_ON_MODE	0x0404	x	x
	DEVICE_POWER_CYCLES	0x0405	x	x
<b>Control</b>	IDENTIFY_DEVICE	0x1000	x	x
	RESET_DEVICE	0x1001		x
	POWER_STATE	0x1010	x	x
	PERFORM_SELFTEST	0x1020	x	x
	SELF_TEST_DESCRIPTION	0x1021	x	
	CAPTURE_PRESET	0x1030	x	x
	PRESET_PLAYBACK	0x1031	x	x
	IDENTIFY_MODE	0x1040	x	x
	PRESET_INFO	0x1041	x	
	PRESET_STATUS	0x1042	x	x
	PRESET_MERGEMODE	0x1043	x	x
	POWER_ON_SELF_TEST	0x1044	x	x

## 8 - OPERATION VIA DATAMASTER

The unit uses a DATAMASTER for configuration purposes. The diagram below shows how to connect the DATAMASTER to this product. This connection will control multiple products at the same time.

To set different Stand Alone mode on different product, you must connect the DATAMASTER to each product, individually.

However, by using the DATAMASTER, you may address each product in the daisy chain to a different DMX address by using the RDM function without the need connect to each individual product.

Important: The DATAMASTER must be used to configure this product.

MUSIC & LIGHTS suggests that you connect no more than 11 units in this mode and keep the total distance to less than 60 m (197 ft). Otherwise, you might need to use an RDM optically isolated signal amplifier.

### RDM SETTING

To set the RDM functions with the DATAMASTER follow these steps:

- Turn on the DATAMASTER;
- Select the "RDM" function;
- Wait the discovering of all units;
- Select the desired unit and press ENTER button;
- Change the value of the desired function.

The following chart describes the RDM menu tree of the product, the terms shown in **BOLD** indicates the default settings.

### STAND ALONE FUNCTION

- To set Standalone Mode please refer to the Menu Structure

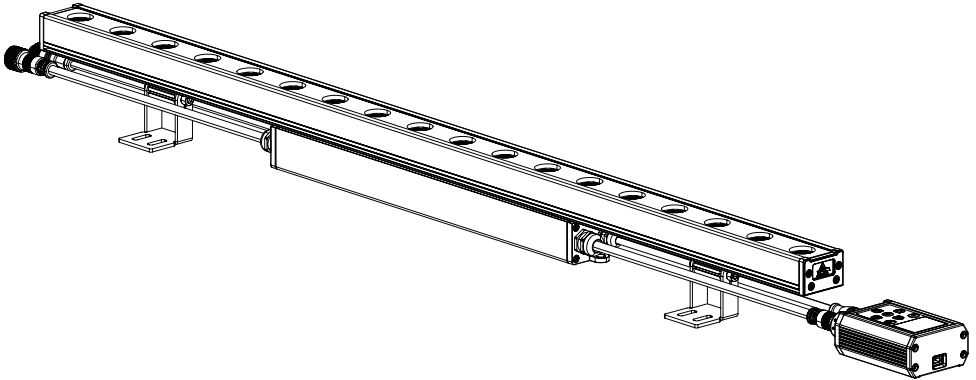


Fig. 08

---



## 9 - MENU STRUCTURE

The following chart describes the MENU tree of the product, the terms shown in **BOLD** indicates the default settings.

MENU*			
1	DMX_START_ADDRESS	001 - 512	
2	DMX_PERSONALITY	<b>FC Variant Mode</b>	
		1CH	
		2CH	
		5CH	
		9CH	
		12CH	
		<b>available only on S18 variant</b>	
		14CH	
3	CURVE	0:LINEAR	
		1:S-CURVE	
		<b>2:SQUARE LAW</b>	
		3:INVERSE SQUARE LAW	
4	OUTPUT_RESPONSE_TIME	<b>0:AUTO</b>	
		1:FAST	
		2:MEDIUM	
		3:SLOW	
5	MODULATION_FREQUENCY	0:600Hz	
		<b>1:1200Hz</b>	
		2:2000Hz	
		3:4000Hz	
		4:6000Hz	
		5:25kHz	

SPECIAL PIDs**		
1	DMX FAULT	0:BLACKOUT
		1:HOLD
		<b>2:STAND ALONE</b>
2	MASTER/SLAVE	0:MST DMX
		<b>1:MST NO DMX</b>
		2:SLAVE
3	STAND ALONE MODE	<b>0:EFFECTS</b>
		1:STATIC

		2:CCT	To use white presets:
		3:MACRO	To use color gels. Please refer to DMX chart for Gel numbers, listed on DMX value column.
		4:RGBW	To use RAW color mixing. Red, Green, Blue and White channel are available as single custom pid as listed below.
4	UNO/DUO MODE FC VERSION ONLY	0:STATIC	To use static color presets.
		1:CCT	To use white presets:
		2:MACRO	To use color gels. Please refer to DMX chart for Gel numbers, listed on DMX value column.
		3:RGBW	To use RAW color mixing. Red, Green, Blue and White channel are available as single custom pid as listed below.
5	EFFECTS	(0 - 10)	Choose between different effects.
6	EFFECTS SPEED	(0 - 255)	Choose speed of the effects
7	STATIC COLORS	(0 - 14)	To choose between static color presets. 0: R 1: G 2: B 3: W 4: GB 5: RB 6: RG 7: RGB 8: RW 9: GW 10: BW 11: RGW 12: RBW 13: GBW 14: RGBW
8	WHITE PRESETS	(0 - 20)	To choose between cct white preset. 0: 2800K 1: 3000K 2: 3200K 3: 3400K 4: 3600K 5: 3800K 6: 4000K 7: 4200K 8: 4400K 9: 4600K 10: 4800K 11: 5000K 12: 5200K 13: 5400K 14: 5600K 15: 6000K 16: 6500K 17: 7000K 18: 8000K 19: 9000K 20: 10000K
9	COLOR MACROS	(0 - 255)	To choose between color gels. Please refer to DMX chart for Gel numbers, listed on DMX value column.
10	MANUAL RED	(000 ÷ 255)	Raw red channel (used in RGBW stand alone mode).
11	MANUAL GREEN	(000 ÷ 255)	Raw green channel (used in RGBW stand alone mode).
12	MANUAL BLUE	(000 ÷ 255)	Raw blue channel (used in RGBW stand alone mode).
13	MANUAL WHITE	(000 ÷ 255)	Raw white channel (used in RGBW stand alone mode).

14	FULL ON	0:HB MODE	High Brightness Mode, delivering the full output on every primary color
		<b>1:STUDIO MODE</b>	Fixture will reach 6000K white point.
15	STUDIO-RED	(000 ÷ 255)	Max value of red color intensity when all color are at maximum value.
16	STUDIO-GREEN	(000 ÷ 255)	Max value of green color intensity when all color are at maximum value.
17	STUDIO-BLUE	(000 ÷ 255)	Max value of blue color intensity when all color are at maximum value.
18	STUDIO-WHITE	(000 ÷ 255)	Max value of white color intensity when all color are at maximum value.
19	WHITE CALIBRATION-RED	(125 ÷ 255)	Max value of red color intensity.
20	WHITE CALIBRATION GREEN	(125 ÷ 255)	Max value of green color intensity.
21	WHITE CALIBRATION-BLUE	(125 ÷ 255)	Max value of blue color intensity.
22	WHITE CALIBRATION-WHITE	(125 ÷ 255)	Max value of white color intensity.
23	INVERT MAPPING <i>x18 version only</i>	0: OFF - 1:ON	Rotate Section direction
24	CURRENT HOURS	(00000-65535)	Shows fixture hours.
25	POWER CONSUMPTION(AC 220V)		Shows fixture's power consumption.
26	MAINTENANCE TIME	(ALERT PERIOD:10 ÷ <b>300</b> )	To set maintenance time alert period
27	MAINTENANCE TIME	(ELAPSED TIME:00-ALERT PERIOD)	Shows elapsed tiime to alert period.
28	ERROR MESSAGES		Shows error codes.
29	CLEAN ALL DATA	<b>0:NO</b>	Complete reset of the fixture.
		1:YES	

SPECIAL PIDs** for VW version			
1	DMX FAULT	0:BLACKOUT	To choose the behaviour of fixture in case of dmx signal lost.
		1:HOLD	
		<b>2:STAND ALONE</b>	
2	MASTER/SLAVE	0:MST DMX	Outputs dmx signal.
		<b>1:MST NO DMX</b>	Doesn't output dmx signal.
		2:SLAVE	Receive dmx signal.
3	STAND ALONE MODE	<b>0:EFFECTS</b>	To use onboard effects
		1:STATIC	To use static color presets.
		2:CCT	To use white presets:
		3:MAN	To use RAW color mixing. CW and WW are available as single custom pid as listed below.
4	UNO/DUO MODE	0:STATIC	To use static color presets.
		1:CCT	To use white presets:
		2:MAN	To use RAW color mixing. CW and WW are available as single custom pid as listed below.
5	EFFECTS	(0 - 5)	Choose between different effects.
6	EFFECTS SPEED	(0 - <b>255</b> )	Choose speed of the effects
7	FIXED COLOR	(0 - 2)	To choose between static color presets. 0: CW 1: WW 2: CW + WW

8	WHITE PRESETS	(1 - 7)	To choose between cct white preset. 1: 2800K 2: 3000K 3: 3200K 4: 4000K 5: 5600K 6: 6000K 7: 6500K
9	STATIC CW	(000 ÷ 255)	Raw CW channel (used in MAN stand alone mode).
10	STATIC WW	(000 ÷ 255)	Raw WW channel (used in MAN stand alone mode).
11	WHITE CALIBRATION-BLUE	(125 ÷ 255)	Max value of blue color intensity.
12	WHITE CALIBRATION-WHITE	(125 ÷ 255)	Max value of white color intensity.
13	INVERT MAPPING <i>x18 version only</i>	0: OFF - 1:ON	Rotate Section direction
14	CURRENT HOURS	(00000-65535)	Shows fixture hours.
15	POWER CONSUMPTION(AC 220V)		Shows fixture's power consumption.
16	MAINTENANCE TIME	(ALERT PERIOD:10 ÷ <b>300</b> )	To set maintenance time alert period
17	MAINTENANCE TIME	(ELAPSED TIME:00-ALERT PERIOD)	Shows elapsed tiime to alert period.
18	ERROR MESSAGES		Shows error codes.
19	CLEAN ALL DATA	<b>0:NO</b>	Complete reset of the fixture.
		1:YES	

# 10 - DMX CHARTS

**RDM Personality ID List**

ID	FC Variant Mode	VW Variant Mode
1	1CH	1CH
2	2CH	2CH
3	5CH	3CH
4	9CH	4CH
5	12CH	9CH
<b>available only on S18 variant</b>		
6	14CH	9CH2

**RDM Model ID**

Product Variant	ID
ARSCINES18FC	0xD089
ARSCINES18VW	0xD088
ARSCINES9FC	0xD083
ARSCINES9VW	0xD082

**FC Variant - DMX Chart Summary**

Channel	1CH	2CH	5CH	9CH	12CH	Only S18FC
						14CH
1	Dimmer	Dimmer	Red	Dimmer	Dimmer	Dimmer
2		Dimmer Fine	Green	Dimmer Fine	Dimmer Fine	Dimmer Fine
3			Blue	Red	Red	Strobe 1
4			White	Green	Green	Strobe 2
5			Dimmer Fade	Blue	Blue	Red 1
6				White	White	Green 1
7				Strobe	Strobe	Blue 1
8				Dimmer Fade	Color Macro	White 1
9				Control	Effects	Red 2
10					Effects Speed	Green 2
11					Control	Blue 2
12					Dimmer Fade	White 2
13						Control
14						Dimmer Fade

1CH	2CH	5CH	9CH	12CH	Function	DMX Value	Default
1	1		1	1	<b>DIMMER</b> Linear from 0% to 100%	000 ÷ 255	000
	2		2	2	<b>DIMMER FINE</b>	000 ÷ 255	000
		1	3	3	<b>RED</b> Linear from 0% to 100%	000 ÷ 255	255
		2	4	4	<b>GREEN</b> Linear from 0% to 100%	000 ÷ 255	255
		3	5	5	<b>BLUE</b> Linear from 0% to 100%	000 ÷ 255	255
		4	6	6	<b>WHITE</b> Linear from 0% to 100%	000 ÷ 255	255
			7	7	<b>STROBE</b> Open Strobe from slow to fast Open Pulse in from slow to fast Open Pulse out from slow to fast Open Random from slow to fast Open	000 ÷ 001 002 ÷ 062 063 ÷ 064 065 ÷ 125 126 ÷ 127 128 ÷ 188 189 ÷ 190 191 ÷ 251 252 ÷ 255	255
				8	<b>COLOR MACRO</b> Open Red Green Blue Cyan Magenta Yellow Dirty White Alice Bllue Congo Blue Dark Steel Blue Deep Lavender Lilac Ting Daylight Blue Flame Red Bastard Amber Deep Orange Pale Gold Apricot Bright Blue Primary Green Special Lavender Pale Lavender Deep Golden Amber Medium Blue Bright Pink Mauve Dark Green Lee Green Dark Blue Light Blue Steel Blue Medium Blue+Green Peacock Blue Magenta Dark Pink Middle Rose Light Salmon English Rose Light Rose Orange Deep Amber Straw Light Amber Spring Yellow Dark Yellow Green Just Blue Sky Blue Lavender	000 ÷ 001 002 ÷ 003 004 ÷ 005 006 ÷ 007 008 ÷ 009 010 ÷ 011 012 ÷ 013 014 ÷ 015 016 ÷ 017 018 ÷ 019 020 ÷ 021 022 ÷ 023 024 ÷ 025 026 ÷ 027 028 ÷ 029 030 ÷ 031 032 ÷ 033 034 ÷ 035 036 ÷ 037 038 ÷ 039 040 ÷ 041 042 ÷ 043 044 ÷ 045 046 ÷ 047 048 ÷ 049 050 ÷ 051 052 ÷ 053 054 ÷ 055 056 ÷ 057 058 ÷ 059 060 ÷ 061 062 ÷ 063 064 ÷ 065 066 ÷ 067 068 ÷ 069 070 ÷ 071 072 ÷ 073 074 ÷ 075 076 ÷ 077 078 ÷ 079 080 ÷ 081 082 ÷ 083 084 ÷ 085 086 ÷ 087 088 ÷ 089 090 ÷ 091 092 ÷ 093 094 ÷ 095 096 ÷ 097	000

1CH	2CH	5CH	9CH	12CH	Function	DMX Value	Default
					<b>COLOR MACRO</b>		
					Light Lavender	098 ÷ 099	
					Pink Carnation	100 ÷ 101	
					Medium Pink	102 ÷ 103	
					Light Pink	104 ÷ 105	
					Sunset Red	106 ÷ 107	
					Dark Amber	108 ÷ 109	
					Gold Amber	110 ÷ 111	
					Medium Amber	112 ÷ 113	
					Fire	114 ÷ 115	
					Surprise Peach	116 ÷ 117	
					Straw Tint	118 ÷ 119	
					Medium Yellow	120 ÷ 121	
					Lee Minus Green	122 ÷ 123	
					Pale Gold	124 ÷ 125	
					Orange	126 ÷ 127	
					Deep Straw	128 ÷ 129	
					Rose Purple	130 ÷ 131	
					Deep Purple	132 ÷ 133	
					Soft Green	134 ÷ 135	
					Reserved	136 ÷ 211	
					2800K	212 ÷ 213	000
					3000K	214 ÷ 215	
					3200K	216 ÷ 217	
					3400K	218 ÷ 219	
					3600K	220 ÷ 221	
					3800K	222 ÷ 223	
					4000K	224 ÷ 225	
					4200K	226 ÷ 227	
					4400K	228 ÷ 229	
					4600K	230 ÷ 231	
					4800K	232 ÷ 233	
					5000K	234 ÷ 235	
					5200K	236 ÷ 237	
					5400K	238 ÷ 239	
					5600K	240 ÷ 241	
					6000K	242 ÷ 243	
					6500K	244 ÷ 245	
					7000K	246 ÷ 247	
					8000K	248 ÷ 249	
					9000K	250 ÷ 251	
					10000K	252 ÷ 253	
					Full On	254 ÷ 255	
					<b>CONTROL (FC versions)</b>		
					No Function / Safe	000 ÷ 001	
					DIMMER CURVE LINEAR	002 ÷ 003	
					DIMMER CURVE S-CURVE	004 ÷ 005	
					DIMMER CURVE SQUARE LAW	006 ÷ 007	
					DIMMER CURVE INVERSE SQUARE LAW	008 ÷ 009	
					DIMMER SPEED AUTO	010 ÷ 011	
					DIMMER SPEED FAST	012 ÷ 013	
					DIMMER SPEED MEDIUM	014 ÷ 015	
					DIMMER SPEED SLOW	016 ÷ 017	
					LED FREQUENCY 600HZ	018 ÷ 019	
					LED FREQUENCY 1200HZ	020 ÷ 021	
					LED FREQUENCY 2000HZ	022 ÷ 023	
					LED FREQUENCY 4000HZ	024 ÷ 025	
					LED FREQUENCY 6000HZ	026 ÷ 027	
			9	11	LED FREQUENCY 25KHZ	028 ÷ 029	000
					DMX FAULT HOLD	030 ÷ 031	
					DMX FAULT BLACKOUT	032 ÷ 033	
					DMX FAULT STAND ALONE	034 ÷ 035	
					STAND ALONE MASTER DMX	036 ÷ 037	
					STAND ALONE MASTER NO DMX	038 ÷ 039	
					STAND ALONE SLAVE	040 ÷ 041	
					STAND ALONE EFFECTS	042 ÷ 043	
					STAND ALONE STATIC COLORS	044 ÷ 045	
					STAND ALONE WHITE PRESETS	046 ÷ 047	
					STAND ALONE COLOR MACROS	048 ÷ 049	
					STAND ALONE MANUAL COLORS	050 ÷ 051	
					INVERT MAPPING OFF	052 ÷ 053	
					INVERT MAPPING ON	054 ÷ 055	
					Reserved	056 ÷ 253	
					FACTORY DEFAULT OF CONTROL FUNCTIONS	254 ÷ 255	

1CH	2CH	5CH	9CH	12CH	Function	DMX Value	Default
		5	8	12	<b>DIMMER FADE</b> Read by menu Dimmer speed Auto Dimmer speed Fast Dimmer speed Medium Dimmer speed Slow	000 ÷ 051 052 ÷ 101 102 ÷ 152 153 ÷ 203 204 ÷ 255	000
				9	<b>EFFECTS</b> No function Effect 1 Effect 2 Effect 3 Effect 4 Effect 5 (Effects 1-4)	000 ÷ 010 011 ÷ 060 061 ÷ 110 111 ÷ 160 161 ÷ 210 211 ÷ 255	000
				10	<b>EFFECTS SPEED</b> Linear from slow to fast	000 ÷ 255	128

## 14CH

2 Section control

Available only on S18FC model



14CH	Function	DMX Value	Default
1	<b>DIMMER</b> Linear from 0% to 100%	000 ÷ 255	000
2	<b>DIMMER FINE</b>	000 ÷ 255	000
3	<b>STROBE 1</b> Open Strobe from slow to fast Open Pulse in from slow to fast Open Pulse out from slow to fast Open Random from slow to fast Open	000 ÷ 001 002 ÷ 062 063 ÷ 064 065 ÷ 125 126 ÷ 127 128 ÷ 188 189 ÷ 190 191 ÷ 251 252 ÷ 255	255
4	<b>STROBE 2</b> Refer to STROBE 1 channel for ranges	---	---
5	<b>RED 1</b> Linear from 0% to 100%	000 ÷ 255	255
6	<b>GREEN 1</b> Linear from 0% to 100%	000 ÷ 255	255
7	<b>BLUE 1</b> Linear from 0% to 100%	000 ÷ 255	255
8	<b>WHITE 1</b> Linear from 0% to 100%	000 ÷ 255	255
9	<b>RED 2</b> Linear from 0% to 100%	000 ÷ 255	255
10	<b>GREEN 2</b> Linear from 0% to 100%	000 ÷ 255	255
11	<b>BLUE 2</b> Linear from 0% to 100%	000 ÷ 255	255
12	<b>WHITE 2</b> Linear from 0% to 100%	000 ÷ 255	255
13	<b>CONTROL</b> Refer to CONTROL channel of mode 9CH / 12CH for ranges	---	---
14	<b>DIMMER FADE</b> Read by menu Dimmer speed Auto Dimmer speed Fast Dimmer speed Medium Dimmer speed Slow	000 ÷ 051 052 ÷ 101 102 ÷ 152 153 ÷ 203 204 ÷ 255	000



## VW Variant - DMX Chart Summary

Channel	1CH	2CH	3CH	4CH	9CH	Only S18VW
						9CH2
1	Dimmer	Dimmer	Warm White	Dimmer	Dimmer	Dimmer
2		CCT	Cold White	Dimmer Fine	Dimmer Fine	Strobe 1
3			Dimmer Fade	CCT	Strobe	Strobe 2
4				Dimmer Fade	CCT	Warm White 1
5					Crossfade from CCT to WW/CW	Cold White 1
6					Warm White	Warm White 2
7					Cold White	Cold White 2
8					Dimmer Fade	Dimmer Fade
9					Control	Control

1CH	2CH	3CH	4CH	9CH	Function	DMX Value	Default
1	1		1	1	<b>DIMMER</b> Linear from 0% to 100%	000 ÷ 255	000
			2	2	<b>DIMMER FINE</b>	000 ÷ 255	000
				3	<b>STROBE</b> Open Strobe from slow to fast Open Pulse in from slow to fast Open Pulse out from slow to fast Open Random from slow to fast Open	000 ÷ 001 002 ÷ 062 063 ÷ 064 065 ÷ 125 126 ÷ 127 128 ÷ 188 189 ÷ 190 191 ÷ 251 252 ÷ 255	255
	2		3	4	<b>CCT</b> Linear from 2800K to 6500K	000 ÷ 255	000
				5	<b>CROSSFADE from CCT to WW/CW</b> Linear from 0% to 100%	000 ÷ 255	000
		1		6	<b>WARM WHITE</b> Linear from 0% to 100%	000 ÷ 255	255
		2		7	<b>COLD WHITE</b> Linear from 0% to 100%	000 ÷ 255	255
		3	4	8	<b>DIMMER FADE</b> Read by menu Dimmer speed Auto Dimmer speed Fast Dimmer speed Medium Dimmer speed Slow	000 ÷ 051 052 ÷ 101 102 ÷ 152 153 ÷ 203 204 ÷ 255	000

1CH	2CH	3CH	4CH	9CH	Function	DMX Value	Default
				9	<b>CONTROL</b> No Function / Safe DIMMER CURVE LINEAR DIMMER CURVE S-CURVE DIMMER CURVE SQUARE LAW DIMMER CURVE INVERSE SQUARE LAW DIMMER SPEED AUTO DIMMER SPEED FAST DIMMER SPEED MEDIUM DIMMER SPEED SLOW LED FREQUENCY 600HZ LED FREQUENCY 1200HZ LED FREQUENCY 2000HZ LED FREQUENCY 4000HZ LED FREQUENCY 6000HZ LED FREQUENCY 25KHZ DMX FAULT HOLD DMX FAULT BLACKOUT DMX FAULT STAND ALONE STAND ALONE MASTER DMX STAND ALONE MASTER NO DMX STAND ALONE SLAVE STAND ALONE EFFECTS STAND ALONE FIXED COLORS STAND ALONE WHITE PRESETS STAND ALONE MANUAL CW+WW INVERT MAPPING OFF INVERT MAPPING ON Reserved FACTORY DEFAULT OF CONTROL FUNCTIONS	000 ÷ 001 002 ÷ 003 004 ÷ 005 006 ÷ 007 008 ÷ 009 010 ÷ 011 012 ÷ 013 014 ÷ 015 016 ÷ 017 018 ÷ 019 020 ÷ 021 022 ÷ 023 024 ÷ 025 026 ÷ 027 028 ÷ 029 030 ÷ 031 032 ÷ 033 034 ÷ 035 036 ÷ 037 038 ÷ 039 040 ÷ 041 042 ÷ 043 044 ÷ 045 046 ÷ 047 048 ÷ 049 050 ÷ 051 052 ÷ 053 054 ÷ 253 254 ÷ 255	000

## 9CH2

2 Section control

Available only on S18VW model



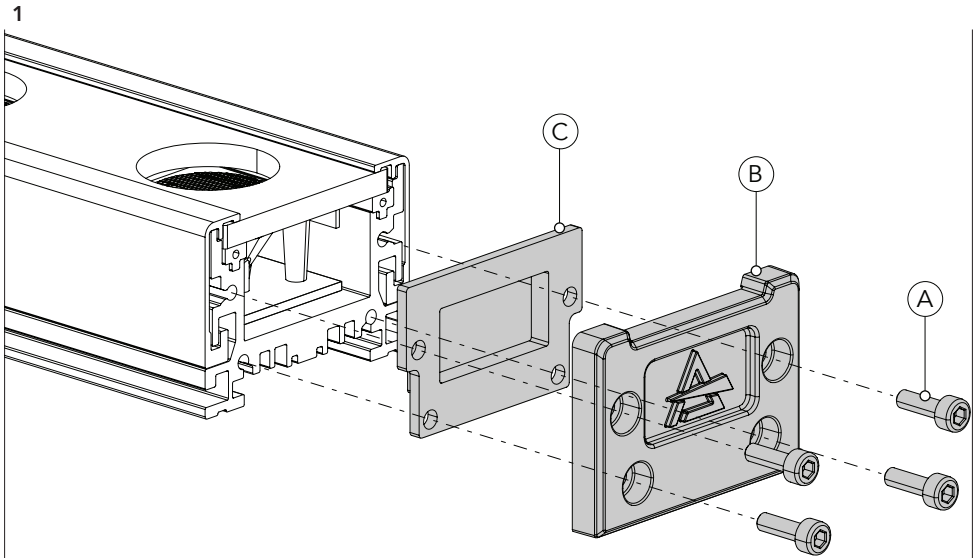
14CH	Function	DMX Value	Default
1	<b>DIMMER</b> Linear from 0% to 100%	000 ÷ 255	000
2	<b>STROBE 1</b> Open Strobe from slow to fast Open Pulse in from slow to fast Open Pulse out from slow to fast Open Random from slow to fast Open	000 ÷ 001 002 ÷ 062 063 ÷ 064 065 ÷ 125 126 ÷ 127 128 ÷ 188 189 ÷ 190 191 ÷ 251 252 ÷ 255	255
3	<b>STROBE 2</b> Refer to STROBE 1 channel for ranges	---	---
4	<b>WARM WHITE 1</b> Linear from 0% to 100%	000 ÷ 255	255
5	<b>COLD WHITE 1</b> Linear from 0% to 100%	000 ÷ 255	255
6	<b>WARM WHITE 2</b> Linear from 0% to 100%	000 ÷ 255	255
7	<b>COLD WHITE 2</b> Linear from 0% to 100%	000 ÷ 255	255
8	<b>DIMMER FADE</b> Read by menu Dimmer speed Auto Dimmer speed Fast Dimmer speed Medium Dimmer speed Slow	000 ÷ 051 052 ÷ 101 102 ÷ 152 153 ÷ 203 204 ÷ 255	000
9	<b>CONTROL</b> Refer to CONTROL channel of mode 9CH for ranges	---	---

# 11 - ACCESSORIES INSTALLATION

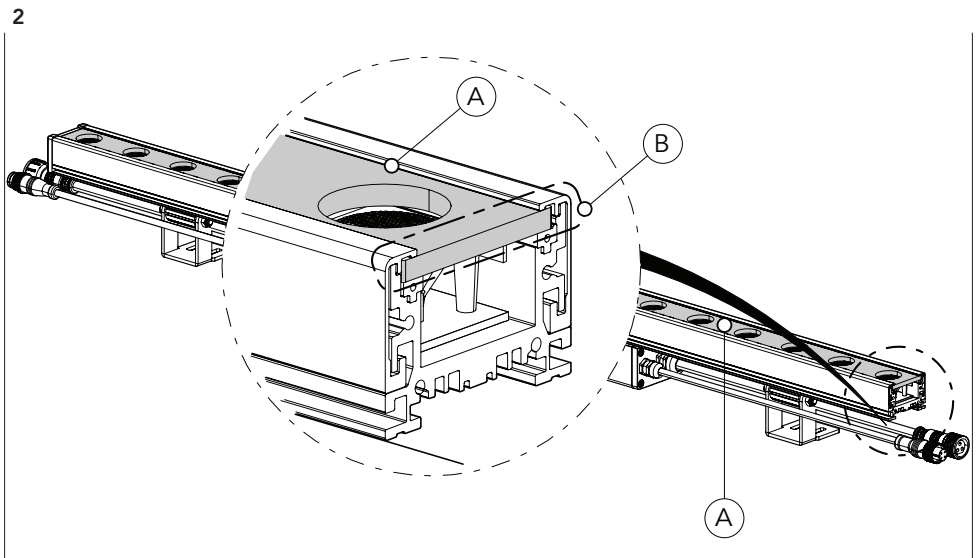
LIGHT DIFFUSION FILTER  
TER20/40/60/1060/3060 - OPTIONAL)

(ARCSS18FILTER20/40/60/1060/3060,

ARCSS9FI

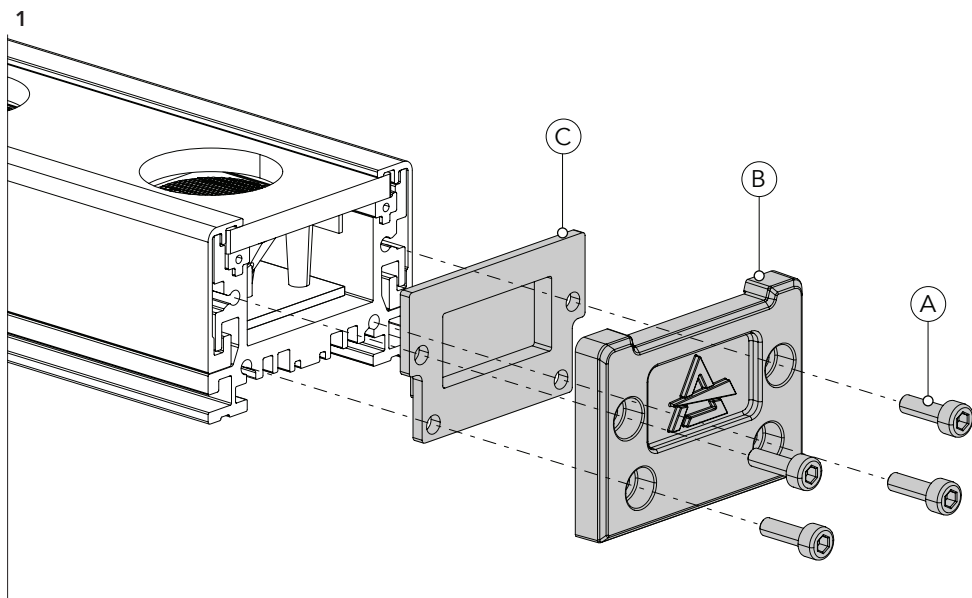


Loosen and remove the marked four screws (A) on one side only. Then remove the side cover (B) and the plastic ring (C).

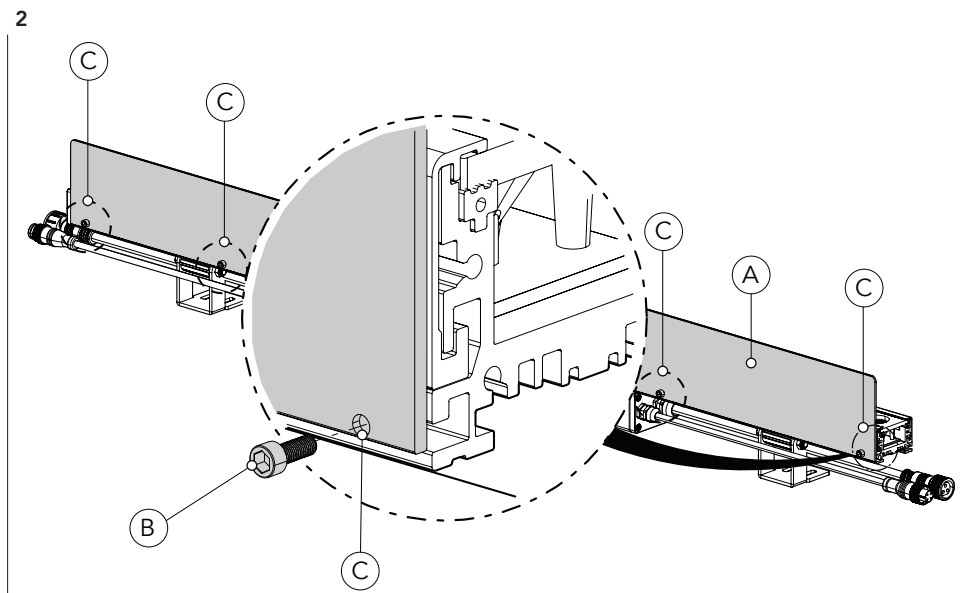


Insert the light diffusion filter accessory (A) into the housing hardware guide (B). Then reassemble the plastic ring, side cover and the four screws (see fig.1).

Fig. 09



Loosen and remove the marked four screws (A) on one side only. Then remove the side cover (B) and plastic ring (C).



Insert the barndoor accessory (A) by mounting the four screws (B) in the four holes of housing (C). Then reassemble the plastic ring, the side cover and the four screws (see fig. 1).

Fig. 10

# 12 - MAINTENANCE

## MAINTENANCE AND CLEANING THE PRODUCT

**WARNING:** Disconnect from the mains before starting any maintenance work

It is recommended to clean the front at regular intervals, from impurities caused by dust, smoke, or other particles to ensure that the light is radiated at maximum brightness.

- For cleaning, disconnect the main plug from the socket. Use a soft, clean cloth moistened with a mild detergent. Then carefully wipe the part dry. For cleaning other housing parts use only a soft, clean cloth. Never use a liquid, it might penetrate the unit and cause damage to it.
- The user must clean the product periodically to maintain optimum performance and cooling. The user may also upload firmware (product software) to the fixture via the DMX signal input port or USB port using firmware and instructions from PROLIGHTS.
- The frequency of such maintenance operations is to be performed according to various factors, such as the amount of the use and the condition of the installation environment (air humidity, presence of dust, salinity, etc.). It is recommended that the product is subject to annual service by a qualified technician for special maintenance involving at least the following procedures:
  - General cleaning of internal parts.
  - For all the parts subject to friction, using lubricants specifically supplied by PROLIGHTS.
  - General visual check of the internal components, cabling, mechanical parts, etc.
  - Electrical, photometric and functional checks; eventual repairs.
  - Cleaning the lenses. Only use neutral soap and water to clean the lenses, then dry it carefully with a soft, non-abrasive cloth.

**WARNING:** the use of alcohol or any other detergent could damage the lenses.

- All other service operations on the product must be carried out by PROLIGHTS, its approved service agents or trained and qualified personnel.
- It is PROLIGHTS policy to apply the strictest possible calibration procedures and use the best quality materials available to ensure optimum performance and the longest possible component lifetimes. However, optical components are subject to wear and tear over the life of the product, resulting in gradual changes in colours over many thousands of hours of use. The extent of wear and tear depends heavily on operating conditions and environment, so it is impossible to specify precisely whether and to what extent performance will be affected. However, you may eventually need to replace optical components if their characteristics are affected by wear and tear after an extended period of use and if you require fixtures to perform within very precise optical and colour parameters.
- Do not apply filters, lenses or other materials on lenses or other optical components. Use only accessories approved by PROLIGHTS.

## VISUAL CHECK OF PRODUCT HOUSING

- The parts of the product cover/housing should be checked for eventual damages and breaking start at least every two months. In addition, especially the parts of the front lens holder have to be checked mechanically (by means of movement by the part) if it is firmly fastened to the fixture. If hint of a crack is found on some plastic part, do not use the product until the damaged part will be replaced.
- Cracks or another damages of the cover/housing parts can be caused by the product transportation or manipulation and also ageing process may influence materials.
- This checking is necessary for both fixed installations and preparing product for renting. Any free moving parts inside of the product, cracked cover/housing or any part of front lens not sitting properly in place need to be immediately replaced.

## TROUBLESHOOTING

Problems	Possible causes	Checks and remedies
Product doesn't power ON.	<ul style="list-style-type: none"> <li>No power to the product.</li> </ul>	<ul style="list-style-type: none"> <li>Check that power is switched ON and cables are plugged in.</li> </ul>
	<ul style="list-style-type: none"> <li>Fuse blown or internal fault.</li> </ul>	<ul style="list-style-type: none"> <li>Check if the Fuse is intact and eventually replace it if necessary.</li> <li>Contact the PROLIGHTS Service or authorized service partner. Do not remove parts and/or covers, or carry out any repairs or service that are not described in this Safety and User Manual unless you have both authorization from PROLIGHTS and the service documentation.</li> </ul>
Product reset correctly but does not respond correctly to the controller.	<ul style="list-style-type: none"> <li>Bad signal connection.</li> </ul>	<ul style="list-style-type: none"> <li>Inspect connections and cables. Fix eventual bad connections. Repair or replace damaged cables.</li> </ul>
	<ul style="list-style-type: none"> <li>Signal connection not terminated.</li> </ul>	<ul style="list-style-type: none"> <li>Insert DMX termination plug in signal output socket of the last product on the signal line.</li> </ul>
	<ul style="list-style-type: none"> <li>Incorrect addressing of the product.</li> </ul>	<ul style="list-style-type: none"> <li>Check the product address and control settings.</li> </ul>
	<ul style="list-style-type: none"> <li>One of the product is defective and is corrupting the signal transmission on the signal line.</li> </ul>	<ul style="list-style-type: none"> <li>Unplug the XLR in and out connectors and connect them directly together to bypass one product at a time until normal operation is regained. Once found the error, have that fixture serviced by a qualified technician.</li> </ul>
Timeout error after fixture reset.	<ul style="list-style-type: none"> <li>One or more hardware components requires mechanical adjustments.</li> </ul>	<ul style="list-style-type: none"> <li>Check product stored error messages for more information. Contact PROLIGHTS Service or an authorized service partner.</li> </ul>
Mechanical effect loses position.	<ul style="list-style-type: none"> <li>Mechanical hardware require cleaning, adjustment or lubrication.</li> </ul>	<ul style="list-style-type: none"> <li>Check product stored error messages for more information. Contact PROLIGHTS Service or an authorized service partner.</li> </ul>
Light output turn OFF Intermittently.	<ul style="list-style-type: none"> <li>Fixture is too hot.</li> </ul>	<ul style="list-style-type: none"> <li>Check product stored error messages.</li> <li>Allow product to cool.</li> <li>Clean the product and airflow filters.</li> <li>Reduce ambient temperature.</li> </ul>
	<ul style="list-style-type: none"> <li>Hardware failure (temperature sensor, fans, Light source...).</li> </ul>	<ul style="list-style-type: none"> <li>Check product stored error messages for more information. Contact PROLIGHTS Service or an authorized service partner.</li> </ul>
General low light intensity.	<ul style="list-style-type: none"> <li>Dirty lens assembly.</li> </ul>	<ul style="list-style-type: none"> <li>Clean the fixture regularly.</li> </ul>
	<ul style="list-style-type: none"> <li>Dirty or damaged filters.</li> </ul>	<ul style="list-style-type: none"> <li>Install lens assembly properly.</li> </ul>

Contact an authorized service center in case of technical problems or not reported in the table can not be resolved by the procedure given in the table.





**PROLIGHTS** is a trademark of  
**MUSIC & LIGHTS S.r.l.**  
**musiclights.it**

Via A.Olivetti snc  
04026 - Minturno (LT) ITALY  
Tel: +39 0771 72190

**prolights.it**  
support@prolights.it