

---

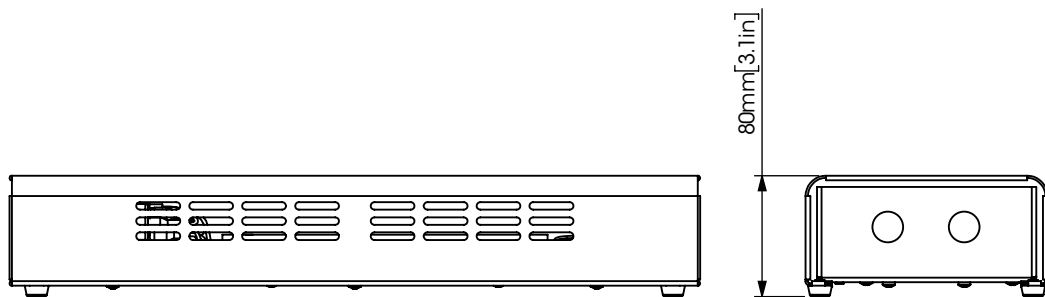
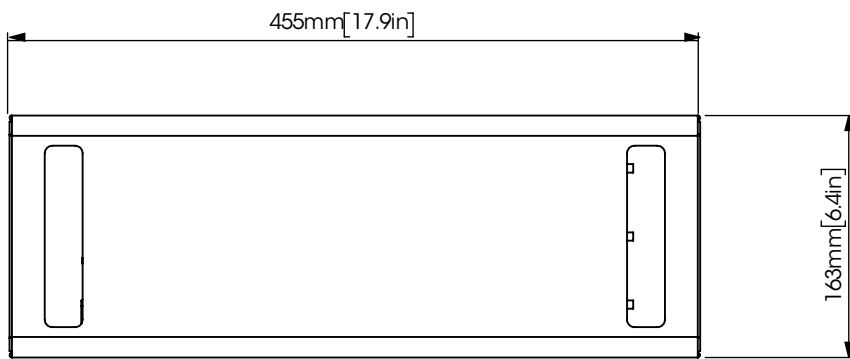
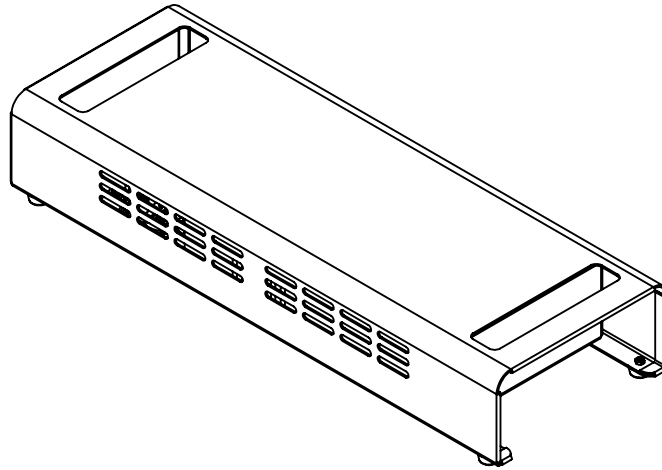
# Trio4 Powerline PSU

The Trio4 Powerline PSU enables up to 17 Trio Lights to be powered from one mains supply and controlled from the lighting desk by DMX. Each PSU has two outlets for two separate daisy chains. Multiple PSUs can be used for a large set up. The PSU offers zone functionality where the Trio4 Lights can be operated in 6 zones independently from each other.

---



# Detailed Specification



# Detailed Specification

## Specifier's description

A low voltage dimmer for 24V DC LED lights, controllable by DMX input. Brightness and colour temperature of up to 17 individual lights controllable in separate groups. Input and output plugs protected from accidental damage. Requires a 24V power supply.

Construction	
Casing material	Steel
Coating	200µm polyester resin

Dimensions	
Length	455mm [17.9in]
Width	163mm [6.4in]
Height	80mm [3.1in]
Weight	3.5kg [7.7lbs]

Physical characteristics	
Mains power input connector type	IEC input plug with lock
Mains power output connector type	IEC output socket with lock
Low voltage output connector type	Customised 2 pin XLR socket
Number of output sockets/ number of daisy chains which can be attached	2
Maximum number of lights which can be connected	17
Built-in protection	Short Circuit, Overload, Over Voltage, Over Temperature
Control modes	DMX control Test Fixed dimming (10%, 20%, 30%, 40%, 50%, 60%, 70%, 80%, 90%)

Electrical characteristics	
Input voltage	100-240V AC
Input current	2A
Insulation class	Class 1
Maximum power consumption	200W
Output voltage	27V DC
SELV (Separated Extra Low Voltage) output	YES

General	
Warranty	2 year
Part number	74Q371
Applicable standards	EN62368-1, EN 55032, EN 55024, EN 61000-3-2
Markings	CE