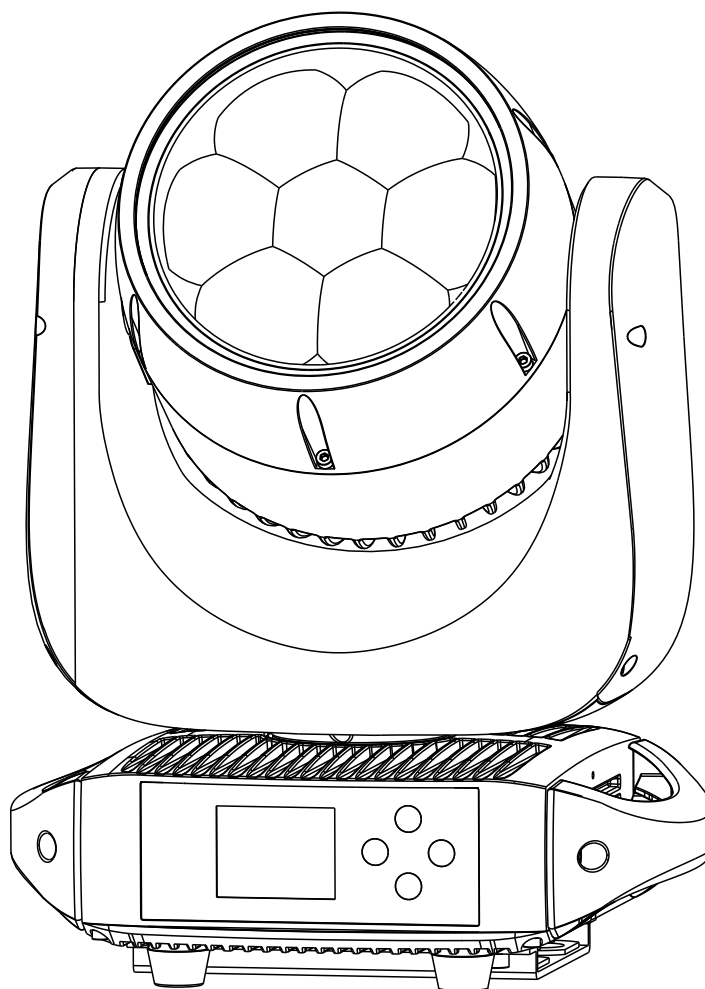


# ***BTX-BLIZZARD WASH1***



## **ENGLISH**

### **Operation Manual**

Other languages can be downloaded from:  
[WWW.BRITEQ-LIGHTING.COM](http://WWW.BRITEQ-LIGHTING.COM)



*Version: 1.0*





### **EN - DISPOSAL OF THE DEVICE**

Dispose of the unit and used batteries in an environment friendly manner according to your country regulations.

### **FR - DÉCLASSER L'APPAREIL**

Débarrassez-vous de l'appareil et des piles usagées de manière écologique conformément aux dispositions légales de votre pays.

### **NL - VERWIJDEREN VAN HET APPARAAT**

Verwijder het toestel en de gebruikte batterijen op een milieuvriendelijke manier conform de in uw land geldende voorschriften.

### **DU - ENTSORGUNG DES GERÄTS**

Entsorgen Sie das Gerät und die Batterien auf umweltfreundliche Art und Weise gemäß den Vorschriften Ihres Landes.

### **ES - DESHACERSE DEL APARATO**

Reciclar el aparato y pilas usadas de forma ecologica conforme a las disposiciones legales de su país.

### **PT - COMO DESFAZER-SE DA UNIDADE**

Tente reciclar a unidade e as pilhas usadas respeitando o ambiente e em conformidade com as normas vigentes no seu país.

# OPERATION MANUAL

Thank you for buying this Briteq® product. To take full advantage of all possibilities and for your own safety, please read these operating instructions very carefully before you start using this unit.

## FEATURES

- Extremely compact and powerful moving wash, equipped with 7x40W OSRAM® RGBL LEDs.
- **IP65 protection and low noise operation:** perfect for both outdoor and indoor use!
- Using LIME instead of WHITE provides a wider color palette and perfect white with high CRI.
- Different “Hi-CRI” CCT presets from 1800K to 10000K
- Motorized zoom from 4° to 40° (3,5° in ultra narrow mode)
- Light output (full on):
  - 16'600 lux @ 5m (3,5° ultra narrow)
  - 286 lux @ 5m (40°)
- 16-Bit dimming and color control
- Ring control: individual control for central pixel and outer ring.
- RGB halo-ring with nice build-in “eye-candy” effects.
- 6 DMX modes: from 18 to 24 Channels
- Seetronic IP65 3pin & 5pin XLR in/outputs for maximum flexibility in a professional environment
- Seetronic IP65 Power in/outputs: up to 16A can be daisy chained for easy installation (PowerCON TRUE-1 compatible)
- Optional omega brackets available for fast installation.
- Very lightweight: only 10kg !
- Optional backup battery: Settings can be made without connecting the unit to mains.
- Optional module for wireless DMX available (W-DMX Sweden)

## BEFORE USE

- Before you start using this unit, please check if there's no transportation damage. Should there be any, do not use the device and consult your dealer first.
- **Important:** This device left our factory in perfect condition and well packaged. It is absolutely necessary for the user to strictly follow the safety instructions and warnings in this user manual. Any damage caused by mishandling is not subject to warranty. The dealer will not accept responsibility for any resulting defects or problems caused by disregarding this user manual.
- Keep this booklet in a safe place for future consultation. If you sell the fixture, be sure to add this user manual.

### Check the contents:

Check that the carton contains the following items:

- BTX-BLIZZARD WASH1
- PowerCON® TRUE-1 compatible mains cable
- Safety cable
- Operating instructions

**Important:** 2 optional omega brackets “SMALL” are needed. These omega brackets can be ordered with order code: B02677 (link: <https://briteq-lighting.com/omega-bracket-small> )

## SAFETY INSTRUCTIONS



**CAUTION**  
RISK OF ELECTRIC SHOCK  
DO NOT OPEN



**CAUTION:** To reduce the risk of electric shock, do not remove the top cover. No user-serviceable parts inside. Refer servicing to qualified service personnel only.



The lightning flash with arrowhead symbol within the equilateral triangle is intended to alert the user or the presence of un-insulated "dangerous voltage" within the product's enclosure that may be of sufficient magnitude to constitute a risk of electric shock.



The exclamation point within the equilateral triangle is intended to alert the user to the presence of important operation and maintenance (servicing) instructions in the literature accompanying this appliance.



This symbol means: indoor use only



This symbol means: Read instructions



This symbol determines: the minimum distance from lighted objects. The minimum distance between light-output and the illuminated surface must be more than 0.2 meters

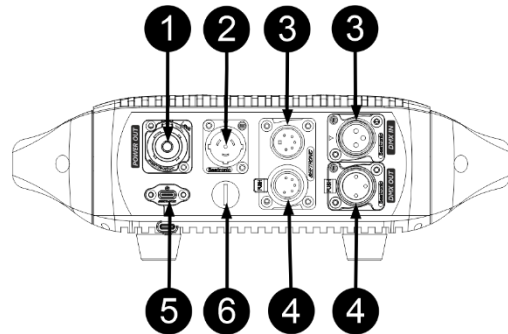
- To protect the environment, please try to recycle the packing material as much as possible.
- A new light effect sometimes causes some unwanted smoke and/or smell. This is normal and disappears after some minutes.
- To prevent fire or shock hazard, do not expose this appliance to rain or moisture.
- To avoid condensation to be formed inside, allow the unit to adapt to the surrounding temperatures when bringing it into a warm room after transport. Condensation sometimes prevents the unit from working at full performance or may even cause damages.
- This unit is for indoor use only.
- Don't place metal objects or spill liquid inside the unit. Electric shock or malfunction may result. If a foreign object enters the unit, immediately disconnect the mains power.
- Locate the fixture in a well ventilated spot, away from any flammable materials and/or liquids. The fixture must be fixed at least 20cm from surrounding walls.
- Don't cover any ventilation openings as this may result in overheating.
- Prevent use in dusty environments and clean the unit regularly.
- Keep the unit away from children.
- Inexperienced persons should not operate this device.
- Maximum safe ambient temperature is 40°C. Don't use this unit at higher ambient temperatures.
- The units' surface temperature may reach up to 85°C. Don't touch the housing with bare hands during its operation.
- Make sure the area below the installation place is free from unwanted persons during rigging, de-rigging and servicing.
- Allow the device about 10 minutes to cool down before replacing the bulb or start servicing.
- Always unplug the unit when it is not used for a longer time or before replacing the bulb or start servicing.
- The electrical installation should be carried out by qualified personal only, according to the regulations for electrical and mechanical safety in your country.
- Check that the available voltage is not higher than the one stated on the rear panel of the unit.
- The power cord should always be in perfect condition. Switch the unit immediately off when the power cord is squashed or damaged. It must be replaced by the manufacturer, its service agent or similarly qualified persons in order to avoid a hazard.
- Never let the power-cord come into contact with other cables!
- This fixture must be earthed in order to comply with safety regulations.
- Don't connect the unit to any dimmer pack.
- Always use an appropriate and certified safety cable when installing the unit.
- In order to prevent electric shock, do not open the cover. Apart from the lamp and mains fuse there are no user serviceable parts inside.
- Never repair a fuse or bypass the fuse holder. Always replace a damaged fuse with a fuse of the same type and electrical specifications!
- In the event of serious operating problems, stop using the fixture and contact your dealer immediately.
- The housing and the lenses must be replaced if they are visibly damaged.
- Please use the original packing when the device is to be transported.
- Due to safety reasons it is prohibited to make unauthorized modifications to the unit.

**Important:** Never look directly into the light source! Don't use the effect in the presence of persons suffering from epilepsy.

## DESCRIPTION:

### REAR PANEL:

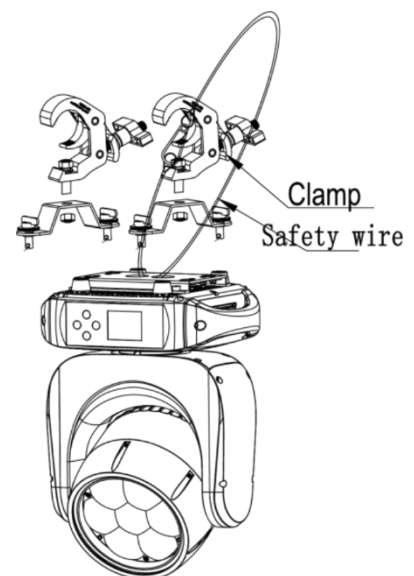
1. Seetronic IP65 power output
2. Seetronic IP65 power input
3. XLR input 5-pin & 3-pin
4. XLR output 5-pin & 3-pin
5. USB-C for updates
6. Fuse slot (20x5mm, T6,3A / 250V)



**Hint:** Please check our website for special cable assemblies that contain both power (3x1.5mm<sup>2</sup> with PowerCON® TRUE-1) and balanced signal (XLR 3pin or 5pin) in one cable. Different lengths are available: 1.5m, 3m and 5m, very convenient!

## OVERHEAD RIGGING

- **Important:** The installation must be carried out by qualified service personal only. Improper installation can result in serious injuries and/or damage to property. Overhead rigging requires extensive experience! Working load limits should be respected, certified installation materials should be used, the installed device should be inspected regularly for safety.
- Make sure the area below the installation place is free from unwanted persons during rigging, de-rigging and servicing.
- Locate the fixture in a well ventilated spot, far away from any flammable materials and/or liquids. The fixture must be fixed **at least 50cm** from surrounding walls.
- The device should be installed out of reach of people and outside areas where persons may walk by or be seated.
- Before rigging make sure that the installation area can hold a minimum point load of 10times the device's weight.
- Always use a certified safety cable that can hold 12 times the weight of the device when installing the unit. This secondary safety attachment should be installed in a way that no part of the installation can drop more than 20cm if the main attachment fails.
- The device should be well fixed; a free-swinging mounting is dangerous and may not be considered!
- Don't cover any ventilation openings as this may result in overheating.
- The operator has to make sure that the safety-relating and machine-technical installations are approved by an expert before using them for the first time. The installations should be inspected every year by a skilled person to be sure that safety is still optimal.



### Installation:

**important:** 2 optional omega brackets "SMALL" are needed. These omega brackets can be ordered with order code: B02677 (link: <https://briteq-lighting.com/omega-bracket-small> )



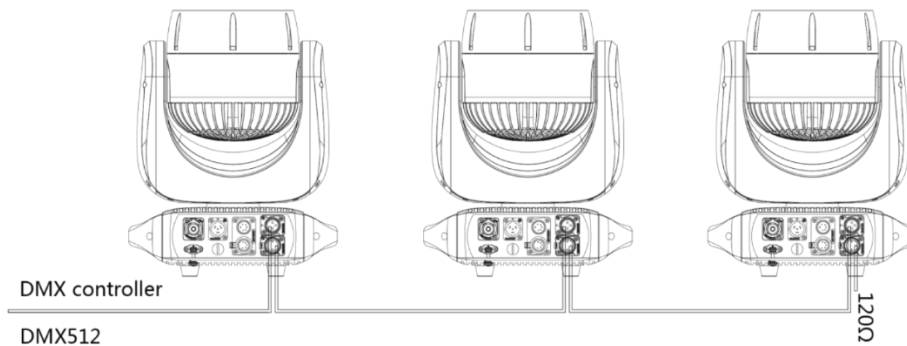
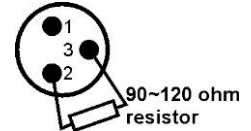
- Fix the Truss hooks to the optional omega brackets with screw and locking nut.
- Fasten the omega brackets on the bottom of the base by inserting quick-lock fasteners into the holes of the base and tighten fully clockwise. (you should hear or feel a 'click')

# ELECTRICAL INSTALLATION

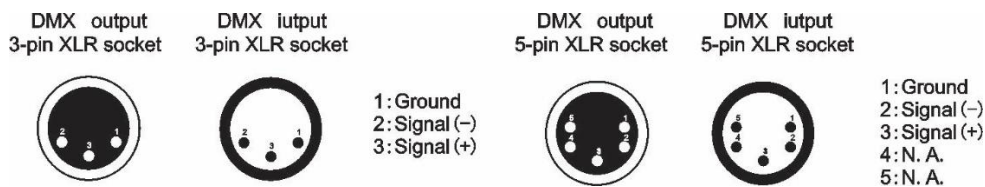
**⚠ Important:** The electrical installation should be carried out by qualified personal only, according to the regulations for electrical and mechanical safety in your country.

## Electrical installation for two or more units in DMX-mode:

- The DMX-protocol is a widely used high speed signal to control intelligent light equipment. You need to “daisy chain” your DMX controller and all the connected units with a good quality balanced cable.
- Both XLR-3pin and XLR-5pin connectors are used, however XLR-3pin is more popular because these cables are compatible with balanced audio cables.  
 Pin layout XLR-3pin: Pin1 = GND ~ Pin2 = Negative signal (-) ~ Pin3 = Positive signal (+)  
 Pin layout XLR-5pin: Pin1 = GND ~ Pin2 = Negative signal (-) ~ Pin3 = Positive signal (+) ~ Pins4+5 not used.
- To prevent strange behavior on the DMX units, due to interferences, you must use a 90Ω to 120Ω terminator at the end of the chain. Never use Y-splitter cables, this simply won't work!
- Make sure that all units are connected to the mains.
- Each unit in the chain needs to have its proper starting address so it knows which commands from the controller it has to decode. In the next section you will learn how to set the DMX addresses.



## Wiring of the DMX connectors:



# OPERATING INSTRUCTIONS

- In the event of serious operating problems, stop using the fixture and contact your dealer immediately.
- **Important:** Never look directly into the light source! Don't use the effect in the presence of persons suffering from epilepsy.

## SETTING MENU

Press [Settings] on the display to open the setup menu. Use the [UP/DOWN], [MODE] and [ENTER] buttons to navigate.

Menu	Sub-menu/Item
Address	001-512
Person	HSIC
	SSP
	Tour *
	TR16
	CMY
	Pixel
Runmode	DMX512 *
	AUTO

		Custom1	
		Custom2	
Option	Pan invert	Normal *	
		Invert	
	Tilt invert	Normal *	
		Invert	
	Perform	Studio	
		Power	
		Live *	
	Blackout	Off *	
		ON	
	Zoom range	Ultra narrow	
		Regular *	
	Dimmer	Dim4 *	
		OFF	
	LED PWM	1200Hz *	
		2400Hz	
		4000Hz	
		6000Hz	
		25000Hz	
	DMX error	Freeze *	
		Black	
	Display Time	ON	
		30s *	
		1min	
		2min	
	Menu Lock	Off	
		On *	
Load Para	Off		
	On		
Setting	Recovery		
	Clean Edit1		
	Clean edit2		
	WDMX Hide	Yes	No
PT encoder	Off		
	On *		
WDMX reset	Yes		
	No		
Signal	only XLRDMX		
	WMX to XLR DMX		
Color Cali	Off *		
	User Calibration	Red	
		Green	
		Blue	
		White	
Factory calibration			
Edit	Edit1-2	Step1-30	Pan
			Tilt
			Zoom
			Red
			Green
			Blue
			Lime
			Strobe
			Preset Color
			CCT
			RedRing

			GreenRing
			BlueRing
			Time
<b>Manual</b>	Autotest		
	Channel	...	
	Debug Hide	Yes	
		No	
	Reset	All reset	
PT Reset			
Other			
<b>Service</b>	Pan		
	Tilt		
<b>Info</b>	Fixture Hours		
	LED use hours		
	Temperature		
	Version		
	RDM	UID	
		Label	
System error			
<b>Update software</b>			
<b>CCT</b>	CCT presets 1800K - 10000K		
<b>Preset Color</b>	Preset Color 1-24		
<b>CMY</b>	CMY presets		

**Note:** menu items with \* are the default values.

**Address**

**Used to set the DMX-starting address.**

- Press the right button to open the menu. (Enter the password if prompted)
- Press the up/down buttons to select the **ADDRESS** option and hit the right button to select.
- Use the up/down buttons to select the correct DMX address
- Press the right button to confirm.

**Person**

**Used to set the channel mode of the unit**

- Press the right button to open the menu. (Enter the password if prompted)
- Press the up/down buttons to select the **PERSON** option and hit the right button to select.
- Use the up/down buttons to select the correct DMX address
  - **HSIC:** 20 Channels
  - **CMY:** 21 Channels
  - **SSP:** 18 Channels
  - **TOUR:** 20 Channels
  - **TR16:** 27 Channels
  - **Pixel:** 24 Channels
- Press the right button to confirm.

**Runmode**

**Used to set the channel mode of the unit**

- Press the right button to open the menu. (Enter the password if prompted)
- Press the up/down buttons to select the **RUNMODE** option and hit the right button to select.
- Use the up/down buttons to select the correct DMX address
  - **DMX512 :** Fixture reacts to DMX
  - **AUTO :** Fixture steps automatically through pre-programmed steps
  - **Custom1/Custom2 :** Fixture steps automatically through user-programmed steps
- Press the right button to confirm.



**Fixture options**

Menu with functions related to the overall settings of the fixture

**PAN INVERT**

Used to invert the pan movement

- Press the right button to open the menu. (Enter the password if prompted)
- Press the up/down buttons to select **OPTION** and hit the right button to select.
- Press the up/down buttons to select the **PAN INVERT** option and hit the right button to select.
- Use the up/down buttons to select **NORMAL/INVERT**
- Press the right button to confirm.

**TILT INVERT**

Used to invert the tilt movement

- Press the right button to open the menu. (Enter the password if prompted)
- Press the up/down buttons to select **OPTION** and hit the right button to select
- Press the up/down buttons to select the **TILT INVERT** option and hit the right button to select.
- Use the up/down buttons to select **NORMAL/INVERT**
- Press the right button to confirm.

**PERFORM**

Used to select the cooling mode

- Press the right button to open the menu. (Enter the password if prompted)
- Press the up/down buttons to select **OPTION** and hit the right button to select
- Press the up/down buttons to select the **PERFORM** option and hit the right button to select.
- Use the up/down buttons to select the correct mode
  - **STUDIO:** Silent mode
  - **POWER:** Full power mode
  - **LIVE:** Temperature controlled mode
- Press the Right button to confirm.

**BLACKOUT**

Used to select the move-in-dark

- Press the right button to open the menu. (Enter the password if prompted)
- Press the up/down buttons to select **OPTION** and hit the right button to select
- Press the up/down buttons to select the **BLACKOUT** option and hit the right button to select.
- Use the up/down buttons to select **ON/OFF**
- Press the right button to confirm.

**ZOOM RANGE**

Used to select the zoom range

- Press the right button to open the menu. (Enter the password if prompted)
- Press the up/down buttons to select **OPTION** and hit the right button to select
- Press the up/down buttons to select the **ZOOM RANGE** option and hit the right button to select.
- Use the up/down buttons to select **Ultra Narrow/Regular**
- Press the right button to confirm.

**DIMMER**

Used to select the dimmer speed

- Press the right button to open the menu. (Enter the password if prompted)
- Press the up/down buttons to select **OPTION** and hit the right button to select
- Press the up/down buttons to select the **DIMMER** option and hit the right button to select.
- Use the up/down buttons to select **DIM4/OFF**
- Press the right button to confirm.

**LED PWM**

Used to select the PWM frequency of the LED

- Press the right button to open the menu. (Enter the password if prompted)
- Press the up/down buttons to select **OPTION** and hit the right button to select
- Press the up/down buttons to select the **LED PWM** option and hit the right button to select.
- Use the up/down buttons to select the correct frequency

- Press the right button to confirm.

### **DMX ERROR**

Used to select the behavior of the fixture when no DMX is received

- Press the right button to open the menu. (Enter the password if prompted)
- Press the up/down buttons to select **OPTION** and hit the right button to select
- Press the up/down buttons to select the **DMX ERROR** option and hit the right button to select.
- Use the up/down buttons to select the correct mode
  - **Freeze:** Fixture holds last received values
  - **Black:** Fixture turns the LED OFF and turns to a base position
- Press the Right button to confirm.

### **DISPLAY TIME**

Used to select the ON time of the display

- Press the right button to open the menu. (Enter the password if prompted)
- Press the up/down buttons to select **OPTION** and hit the right button to select
- Press the up/down buttons to select the **DISPLAY TIME** option and hit the right button to select.
- Use the up/down buttons to select the desired setting
- Press the right button to confirm.

### **MENU LOCK**

Used to lock the menu

- Press the right button to open the menu. (Enter the password if prompted)
- Press the up/down buttons to select **OPTION** and hit the right button to select
- Press the up/down buttons to select the **MENU LOCK** option and hit the right button to select.
- Use the up/down buttons to select **ON/OFF**
- Press the right button to confirm.

### **LOAD PARA**

Used to share menu settings over DMX

- Press the right button to open the menu. (Enter the password if prompted)
- Press the up/down buttons to select **OPTION** and hit the right button to select
- Press the up/down buttons to select the **LOAD PARA** option and hit the right button to select.
- Use the up/down buttons to select
  - **ON:** Download data off the DMX line
  - **OFF:** Share data on the DMX line
- Press the right button to confirm.

### **SETTING**

Used to create and restore settings

- Press the right button to open the menu. (Enter the password if prompted)
- Press the up/down buttons to select **OPTION** and hit the right button to select
- Press the up/down buttons to select the **SETTING** option and hit the right button to select.
- Use the up/down buttons to select
  - **Recovery:** restore factory settings
  - **Clean Edit1/2:** Clear user program 1 or 2
  - **WDMX Hide:** (Un)Hide WDMX settings
- Press the right button to confirm.

### **PT ENCODER**

Used to enable/disable the Pan/Tilt feedback sensor

- Press the right button to open the menu. (Enter the password if prompted)
- Press the up/down buttons to select **OPTION** and hit the right button to select
- Press the up/down buttons to select the **PT ENCODER** option and hit the right button to select.
- Use the up/down buttons to select **ON/OFF**
- Press the right button to confirm.

**WDMX RESET**

Used to unpair the WDMX

- Press the right button to open the menu. (Enter the password if prompted)
- Press the up/down buttons to select **OPTION** and hit the right button to select
- Unhide the WDMX settings as explained in the **SETTING** option
- Press the up/down buttons to select the **WDMX RESET** option and hit the right button to select.
- Use the up/down buttons to select **YES/NO**
- Press the right button to confirm.

**SIGNAL**

Used to enable WDMX operation

- Press the right button to open the menu. (Enter the password if prompted)
- Press the up/down buttons to select **OPTION** and hit the right button to select
- Unhide the WDMX settings as explained in the **SETTING** option
- Press the up/down buttons to select the **SIGNAL** option and hit the right button to select.
- Use the up/down buttons to select
  - **ONLY XLRDMX:** WDMX disabled
  - **WDMX TO XLR DMX:** WDMX enabled and DMX output on XLR output
- Press the right button to confirm.

**Color Cali**

Used to select the LED color calibration settings

- Press the right button to open the menu. (Enter the password if prompted)
- Press the up/down buttons to select **OPTION** and hit the right button to select
- Press the up/down buttons to select the **Color Cali** option and hit the right button to select.
- Use the up/down buttons to select
  - **OFF:** No calibrated white balance
  - **User Calibration:** Set user levels for RGBL colors
  - **Factory Calibration:** Factory calibration of RGBL colors
- Press the right button to confirm.

**EDIT**

Used to edit custom patterns for standalone use

- Press the right button to open the menu. (Enter the password if prompted)
- Press the up/down buttons to select the **EDIT** option and hit the right button to select.
- Use the up/down buttons to select the program to edit (**EDIT1** or **EDIT2**)
- Press the Right button to set the values for step 1
  - **Pan**
  - **Tilt**
  - **...:** Set the desired value for the channel
  - **Time:** duration of the step between 0-25s
  - **Use:** Activate/Disable step
- Press the right button to confirm.
- Continue for step 2-30

**MANUAL**

Menu with functions related to the overall settings of the fixture

**AUTOTEST**

Used to automatically test the fixture

- Press the right button to open the menu. (Enter the password if prompted)
- Press the up/down buttons to select the **MANUAL** option and hit the right button to select.
- Press the up/down buttons to select the **AUTOTEST** option and hit the right button to select.
- Press the Left button to exit autotest.

**CHANNEL**

Used to test individual channels of the fixture

- Press the right button to open the menu. (Enter the password if prompted)
- Press the up/down buttons to select the **MANUAL** option and hit the right button to select.
- Press the up/down buttons to select the **CHANNEL** option and hit the right button to select.

- Press the up/down buttons to select the desired channel and hit the right button to select the channel
- Press the Up/Down buttons to change the value of the channel.
- Press the Left button to exit the channel.

**DEBUG HIDE**

Factory testing mode. This disables all motors, motors can only be activated again with a reset.

**RESET**

Used to manually reset the fixture

- Press the right button to open the menu. (Enter the password if prompted)
- Press the up/down buttons to select the **MANUAL** option and hit the right button to select.
- Press the up/down buttons to select the **RESET** option and hit the right button to select.
- Use the up/down buttons to select
  - **ALL RESET:** Reset the entire fixture
  - **PT RESET:** Reset the pan/tilt motors
  - **OTHER RESET:** Reset the Zoom motor
- Press the right button to confirm.

**SERVICE**

Used to calibrate the base pan/tilt position

- Press the right button to open the menu. (Enter the password if prompted)
- Press the up/down buttons to select the **SERVICE** option and hit the right button to select.
- Enter the password (Up-Down-Up-Down)
- Use the up/down buttons to select the function to calibrate and hit the Right button to select
- Use the Up: Down buttons to edit the base value (-127 to +127) and hit the Right button to confirm

**INFO**

Menu with Information about the fixture

**FIXTURE HOURS**

Displays the total active hours of the fixture

**LED USE HOURS**

Displays the total active hours of the LED

**TEMPERATURE**

Displays the temperature of the LED unit

**VERSION**

Displays the current fixture firmware version

**RDM**

Displays the RDM information of the fixture

RDM UID: 0x21220048xxxx

RDM Label: BTX-BLIZZARD WASH1

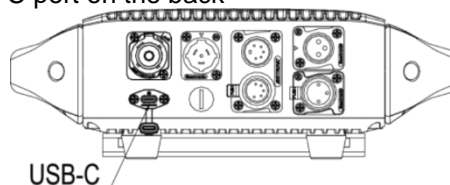
**SYSTEM ERROR**

Displays possible system errors

**UPDATE SOFTWARE**

Used to calibrate the base pan/tilt position

- Insert USB-C drive into the USB-C port on the back



- Press the right button to open the menu. (Enter the password if prompted)
- Press the up/down buttons to select the **UPDATE SOFTWARE** option and hit the right button to select.
- Press the Right button to start the software update.

**CCT****Used to preview the CCT presets**

- Press the right button to open the menu. (Enter the password if prompted)
- Press the up/down buttons to select the **CCT** option and hit the right button to select.
- Use the up/down buttons to select the desired CCT preset

**PRESET COLOR****Used to preview the preset colors**

- Press the right button to open the menu. (Enter the password if prompted)
- Press the up/down buttons to select the **PRESET COLOR** option and hit the right button to select.
- Use the up/down buttons to select the desired preset color

**CMY****Used to preview CMY presets**

- Press the right button to open the menu. (Enter the password if prompted)
- Press the up/down buttons to select the **CMY** option and hit the right button to select.
- Use the up/down buttons to select the desired CMY preset

## **INSTALLING THE OPTIONAL BACK-UP BATTERY**

Installation of optional modules must be performed by certified personnel.

For colored picture download the manual on [www.briteq-lighting.com](http://www.briteq-lighting.com)

**INSTALLING THE BACK-UP BATTERY**

The optional backup battery makes it possible to use the setup menu while it is not connected to the mains.

1. Remove the 8 hex screws holding the bottom plate



2. When the bottom is removed you see the empty battery slot.



3. Insert the battery (**model: 18650 \* 3,7V Li-ion**) into the slot. Pay attention to the correct direction and polarity.
4. Put the bottom plate back and fix screw the 8 hex screws tightly.

## DMX CHANNELS

The unit is equipped with 5 different DMX modes:

- **HSIC:** 20 Channels
- **CMY:** 21 Channels
- **SSP:** 18 Channels
- **TOUR:** 20 Channels
- **TR16:** 27 Channels
- **Pixel:** 24 Channels

### Reduced DMX Chart

HSIC	CMY	SSP	TOUR	TR16	Pixel	Function
1	1	1	1	1	1	Pan
2	2			2	2	Pan fine
3	3	2	2	3	3	Tilt
4	4			4	4	Tilt fine
5	5	3	3	5	5	P/T speed
-	6	-	-	-	-	Cyan
-	7	-	-	-	-	Magenta
-	8	-	-	-	-	Yellow
-	-	4	4	6	17	Red1
-	-	-	-	7	-	Red1 fine
-	-	5	5	8	18	Green1
-	-	-	-	9	-	Green1 fine
-	-	6	6	10	19	Blue1
-	-	-	-	11	-	Blue1 fine
-	-	7	7	12	20	Lime1
-	-	-	-	13	-	Lime1 fine
-	-	-	-	-	21	Red2
-	-	-	-	-	22	Green2
-	-	-	-	-	23	Blue2
-	-	-	-	-	24	Lime2
6	9	8	8	14	15	Dimmer
-	-	-	-	15	-	Dimmer fine
7	-	-	-	-	-	Hue
8	-	-	-	-	-	Hue fine
9	-	-	-	-	-	Saturation
11	10	9	9	16	16	Strobe
-	11	-	10	17	-	Color preset
10	12	-	11	18	-	CCT
12	13	10	12	19	6	Zoom
13	14	11	13	20	7	Halo Red
14	15	12	14	21	8	Halo Green
15	16	13	15	22	9	Halo Blue
16	17	14	16	23	10	Halo color presets
17	18	15	17	24	11	Halo FX
18	19	16	18	25	12	FX speed
19	20	17	19	26	13	Halo Dimmer
20	21	18	20	27	14	Control

Full DMX Chart

HSIC	CMY	SSP	TOUR	TR16	Pixel	Function	Values	Remarks
1	1	1	1	1	1	Pan	000-255	
2	2			2	2	Pan fine	000-255	
3	3	2	2	3	3	Tilt	000-255	
4	4			4	4	Tilt fine	000-255	
5	5	3	3	5	5	P/T speed	000-255	Fast to slow
-	6	-	-	-	-	Cyan	000-255	
-	7	-	-	-	-	Magenta	000-255	
-	8	-	-	-	-	Yellow	000-255	
-	-	4	4	6	17	Red1	000-255	
-	-	-	-	7	-	Red1 fine	000-255	
-	-	5	5	8	18	Green1	000-255	
-	-	-	-	9	-	Green1 fine	000-255	
-	-	6	6	10	19	Blue1	000-255	
-	-	-	-	11	-	Blue1 fine	000-255	
-	-	7	7	12	20	Lime1	000-255	
-	-	-	-	13	-	Lime1 fine	000-255	
-	-	-	-	-	21	Red2	000-255	
-	-	-	-	-	22	Green2	000-255	
-	-	-	-	-	23	Blue2	000-255	
-	-	-	-	-	24	Lime2	000-255	
6	9	8	8	14	15	Dimmer	000-255	
-	-	-	-	15	-	Dimmer fine	000-255	
7	-	-	-	-	-	Hue	000-255	
8	-	-	-	-	-	Hue fine	000-255	
9	-	-	-	-	-	Saturation	000-255	
11	10	9	9	16	16	Strobe	000-009	Open
							010-099	Strobe
							100-109	Open
							110-179	Burst
							180-189	Open
							190-255	Random strobe
-	11	-	10	17	-	Color preset	000-010	Open
							011-255	Preset Color
10	12	-	11	18	-	CCT	000-009	No function
							010-024	1800K
							025-039	2200K
							040-054	2700K
							055-069	3000K
							070-084	3200K
							085-099	4000K
							100-114	4500K
							115-129	5000K
							130-144	5600K
							145-159	6000K
							160-174	6500K
							175-189	7000K
							190-204	8000K
205-255	10000K							
12	13	10	12	19	6	Zoom	000-255	
13	14	11	13	20	7	Halo Red	000-255	
14	15	12	14	21	8	Halo Green	000-255	
15	16	13	15	22	9	Halo Blue	000-255	
16	17	14	16	23	10	Halo color presets	000-009	Open
							010-174	Color preset
							175-179	Open
							180-248	No function
							249-255	Open

17	18	15	17	24	11	<b>Halo FX</b>	000-009	Open
							010-023	FX1
							024-037	FX2
							038-051	FX3
							052-065	FX4
							066-079	FX5
							080-093	FX6
							094-107	FX7
							108-121	FX8
							122-135	FX9
							136-149	FX10
							150-163	FX11
							164-178	FX12
							179-191	FX13
							192-205	FX14
							206-219	FX15
							220-233	FX16
234-247	FX17							
248-255	Open							
18	19	16	18	25	12	<b>FX speed</b>	000-255	Speed 0-100
19	20	17	19	26	13	<b>Halo Dimmer</b>	000-255	
20	21	18	20	27	14	<b>Control</b>	000-010	No Function
							011-020	Blackout on P/T On
							021-030	Blackout on P/T Off
							031-040	Pan invert
							041-050	Tilt invert
							051-060	Pan/Tilt invert off
							061-070	Fan: Live
							071-080	Fan: Studio
							081-090	Fan: Power
							091-100	No function
							101-110	Dimmer Off
							111-120	Dimmer Dim4
							121-150	No function
							151-160	PWM: 1200Hz
							161-170	PWM: 2400Hz
							171-180	PWM: 4000Hz
							181-190	PWM: 6000Hz
191-200	PWM: 25000Hz							
201-210	Reset All							
211-220	Reset pan/tilt							
221-230	Reset Zoom							
231-255	No function							

**MAINTENANCE**

- Make sure the area below the installation place is free from unwanted persons during servicing.
- Switch off the unit, unplug the mains cable and wait until the unit has been cooled down.

**During inspection the following points should be checked:**

- All screws used for installing the device and any of its parts should be tightly fastened and may not be corroded.
- Housings, fixations and installations spots (ceiling, truss, suspensions) should be totally free from any deformation.
- When an optical lens is visibly damaged due to cracks or deep scratches, it must be replaced.
- The mains cables must be in impeccable condition and should be replaced immediately when even a small problem is detected.
- In order to protect the device from overheat the cooling fans (if any) and ventilation openings should be cleaned monthly.
- The interior of the device should be cleaned annually using a vacuum cleaner or air-jet.



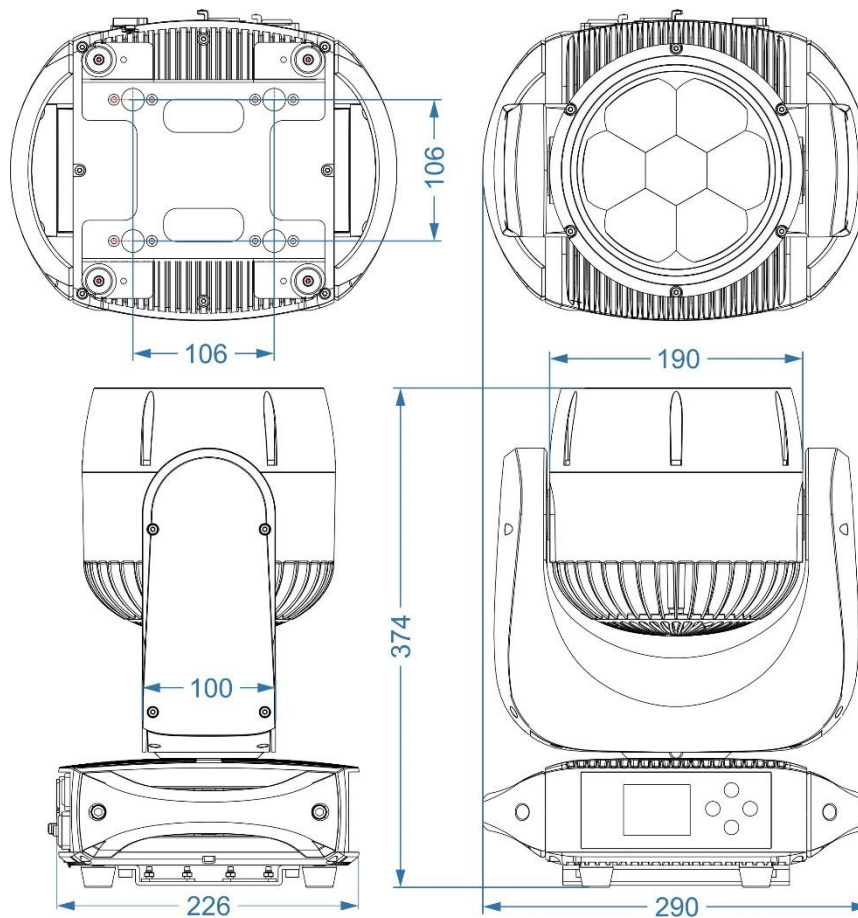
- The cleaning of internal and external optical lenses and/or mirrors must be carried out periodically to optimize light output. Cleaning frequency depends on the environment in which the fixture operates: damp, smoky or particularly dirty surroundings can cause greater accumulation of dirt on the unit's optics.
  - Clean with a soft cloth using normal glass cleaning products.
  - Always dry the parts carefully.
  - Clean the external optics at least once every 30 days.
  - Clean the internal optics at least every 90 days.

**Attention:** We strongly recommend internal cleaning to be carried out by qualified personnel!

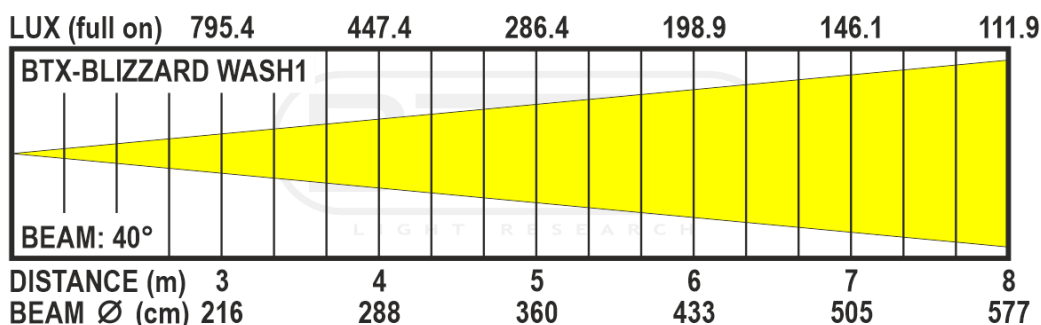
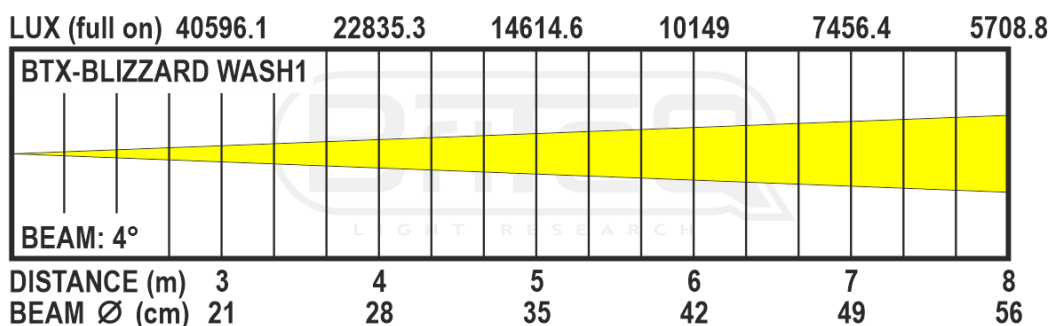
## **SPECIFICATIONS**

This device carries the prescribed CE marking. It was tested for this purpose in a specialized CE lab and fully complies with all currently valid European and national standards. The corresponding CE conformity declarations can be found on the product page of this product on our website.

<b>Mains Input:</b>	AC 100~240V, 50/60Hz
<b>Power consumption:</b>	320Watt (max.)
<b>Fuse:</b>	6,3A / 250V slow.
<b>Optional backup battery:</b>	model 18650 * 3,7V Li-ion
<b>Sound Control:</b>	none
<b>DMX connections:</b>	3pin & 5pin XLR IN/OUT, RDM compatible, (W-DMX optional)
<b>Movement:</b>	Pan: 540° Tilt: 210°
<b>Beam angle:</b>	4°→ 40° (3,5°→ 40° in ultra narrow mode)
<b>DMX channels used:</b>	20-18-20-27-21-24 Channels
<b>Lamp:</b>	7x 40W OSRAM® RGLB LEDs
<b>Size:</b>	290 x 227 x 375 mm
<b>Weight:</b>	10 kg



**All the information is subject to change without prior notice**  
 You can download the latest version of this user manual on our website: [www.briteq-lighting.com](http://www.briteq-lighting.com)

**LUX CHART (REGULAR MODE)****WASH PRESET COLORS**

Value	Preset color		Color names	x	y
000-015			No function		
016-020	Color 1	R20	Light Salmon	0,499	0,321
021-025	Color 2	L024	Scarlet	0,561	0,296
026-030	Color 3	L164	Flame Red	0,659	0,302
031-040			No function		
041-045	Color 4	L008	Dark Salmon	0,498	0,347
046-050	Color 5	L025	Sunset Red	0,566	0,359
051-055			No function		
056-060	Color 6	L237	CIP (to Tungsten)	0,43	0,365
061-065	Color 7	R321	Soft Gold Amber	0,477	0,406
066-070	Color 8	L652	Urban Sodium	0,535	0,399
071-075			No Function		
076-080	Color 9	L765	LEE Yellow	0,389	0,412
081-085	Color 10	L513	Ice And A Slice	0,38	0,447
086-105			No Function		
106-110	Color 11	L090	Dark Yellow Green	0,184	0,641
111-115			No Function		
116-120	Color 12	R92	Turquoise	0,235	0,36
121-135			No Function		
136-140	Color 13	L728	Steel Green	0,256	0,302
141-145	Color 14	L117	Steel Blue	0,223	0,278
146-150	Color 15	L354	Special Steel Blue	0,173	0,265
151-155			No function		

**ANNEX**

156-160	Color 16	L501	New Colour Blue	0,246	0,249
161-165	Color 17	L174	Dark Steel Blue	0,204	0,205
166-180			No Function		
181-185	Color 18	L142	Pale Violet	0,209	0,148
186-195			No Function		
196-200	Color 19	L794	Pretty'n Pink	0,335	0,251
201-205	Color 20	L238	Follies Pink	0,335	0,18
206-215			No Function		
216-220	Color 21	L127	Smokey Pink	0,397	0,265
221-225	Color 22	L192	Flesh Pink	0,41	0,237
226-235			No Function		
236-240	Color 23	L157	Pink	0,457	0,272
241-245	Color 24	R332	Cherry Rose	0,489	0,295
246-255			No Function		

**RING PRESET COLORS**

Value	Preset color	Color names
000-009		No function
010-014	Color1	Red
015-019	Color2	Green
020-024	Color3	Blue
025-029	Color4	Yellow
030-034	Color5	Magenta
035-039	Color6	Cyan
040-044	Color7	White
045-049	Color8	Violet blue
050-054	Color9	Light blue
055-059	Color10	Wine red
060-064	Color11	May green
065-069	Color12	Reseda green
070-074	Color13	Blue lilac
075-079	Color14	Moss green
080-084	Color15	Signal violet
085-089	Color16	Red lilac
090-094	Color17	Purple red
095-099	Color18	Green brown
100-104	Color19	Pale green
105-109	Color20	Ruby red
110-114	Color21	Flame red
115-119	Color22	Red orange
120-124	Color23	Rose
125-129	Color24	Honey yellow
130-134	Color25	Light pin
135-139	Color26	Deep orange
140-144	Color27	Lemmon
145-149	Color28	Golden yellow
150-154	Color29	Pastel orange
155-159	Color30	Cream
160-164	Color31	Melon yellow
165-169	Color32	Luminous orange
170-174	Color33	Luminous yellow



## MAILING LIST

**EN: Subscribe today to our mailing list for the latest product news!**

**FR: Inscrivez-vous à notre liste de distribution si vous souhaitez suivre l'actualité de nos produits!**

**NL: Abonneer je vandaag nog op onze mailinglijst en ontvang ons laatste product nieuws!**

**DE: Abonnieren Sie unseren Newsletter und erhalten Sie aktuelle Produktinformationen!**

**ES: Suscríbete hoy a nuestra lista de correo para recibir las últimas noticias!**

**PT: Inscreva-se hoje na nossa mailing list para estar a par das últimas notícias!**

**[WWW.BRITEQ-LIGHTING.COM](http://WWW.BRITEQ-LIGHTING.COM)**

**Copyright © 2023 by BEGLEC NV**

't Hofveld 2C ~ B1702 Groot-Bijgaarden ~ Belgium

Reproduction or publication of the content in any manner, without express permission of the publisher, is prohibited.