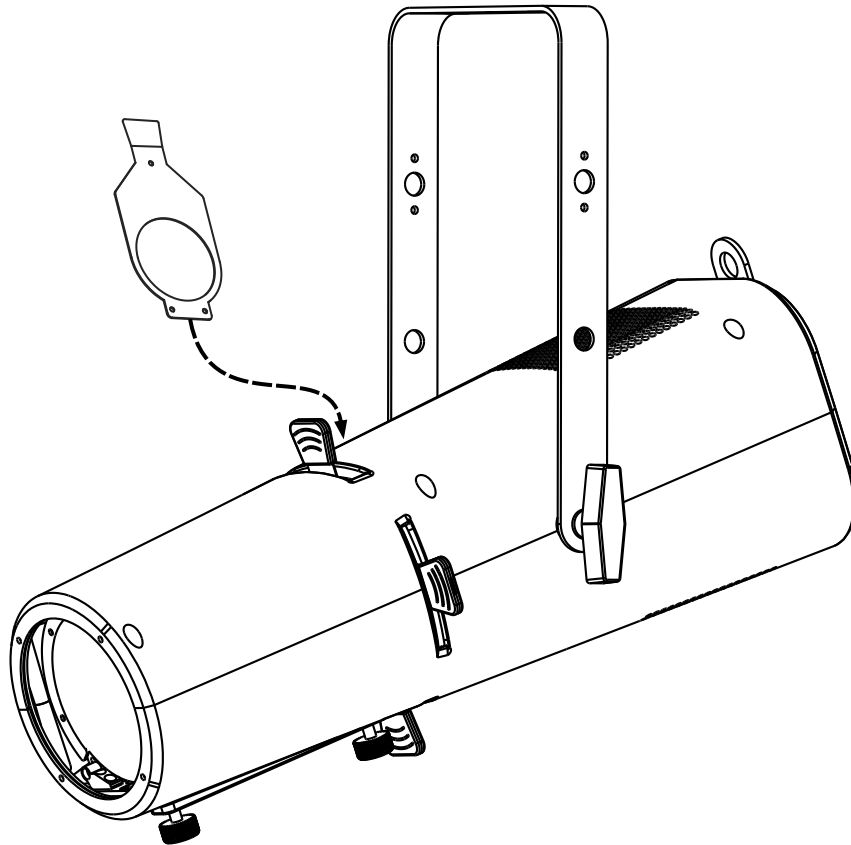


BT-PROFILE WW

WARM WHITE
3200K



ENGLISH Operation Manual

Other languages can be downloaded from:
WWW.BRITEQ-LIGHTING.COM



Version: 1.0





EN - DISPOSAL OF THE DEVICE

Dispose of the unit and used batteries in an environment friendly manner according to your country regulations.

FR - DÉCLASSER L'APPAREIL

Débarrassez-vous de l'appareil et des piles usagées de manière écologique Conformément aux dispositions légales de votre pays.

NL - VERWIJDEREN VAN HET APPARAAT

Verwijder het toestel en de gebruikte batterijen op een milieuvriendelijke manier conform de in uw land geldende voorschriften.

DU - ENTSORGUNG DES GERÄTS

Entsorgen Sie das Gerät und die Batterien auf umweltfreundliche Art und Weise gemäß den Vorschriften Ihres Landes.

ES - DESHACERSE DEL APARATO

Reciclar el aparato y pilas usadas de forma ecologica conforme a las disposiciones legales de su país.

PT - COMO DESFAZER-SE DA UNIDADE

Tente reciclar a unidade e as pilhas usadas respeitando o ambiente e em conformidade com as normas vigentes no seu país.

OPERATION MANUAL

Thank you for buying this Briteq® product. To take full advantage of all possibilities and for your own safety, please read these operating instructions very carefully before you start using this unit.

FEATURES

- A very compact but powerful “ALL-IN-1” white LED profile with:
 - Integrated manual 25° ~ 50° zoom.
 - 4 blade shutter framing system to make sharp beam cuts.
 - The **included gobo holder** guarantees crisp gobo projections.
- High quality white with extremely high CRI > 96
- Based on a 150watt WHITE LED 3200K
- Very silent operation with low noise cooling fan and different presets (live, studio, ...)
- Can be used in full standalone mode without any need for DMX (museums, exhibition booths, ...)
- DMX-controlled: 3 different channel modes for maximum flexibility
- RDM-functionality for easy remote setup: DMX addressing, channel mode, ...
- Flicker free TV-recordings thanks to the adjustable high LED-refresh rate!
- Four dimmer settings with different behavior & speed.
- Manual control for dimming, strobe & zoom.
- OLED-display to navigate easily through the setup menu!
- In case of DMX failure, you can choose between blackout and freeze mode.
- Lock function to avoid unwanted altering of the settings.
- Lightweight but rugged housing.
- 5pin DMX in/outputs + PowerCON TRUE1 compatible in/outputs for easy daisy chaining.

BEFORE USE

- Before you start using this unit, please check if there's no transportation damage. Should there be any, do not use the device and consult your dealer first.
- **Important:** This device left our factory in perfect condition and well packaged. It is absolutely necessary for the user to strictly follow the safety instructions and warnings in this user manual. Any damage caused by mishandling is not subject to warranty. The dealer will not accept responsibility for any resulting defects or problems caused by disregarding this user manual.
- Keep this booklet in a safe place for future consultation. If you sell the fixture, be sure to add this user manual.

Check the contents:

Check that the carton contains the following items:

- BT-PROFILE WW
- GOBO HOLDER
- Power cable
- Safety cable
- English operating instructions, other languages can be downloaded from our website.

SAFETY INSTRUCTIONS:

CAUTION
RISK OF ELECTRIC SHOCK
DO NOT OPEN



CAUTION: To reduce the risk of electric shock, do not remove the top cover. No user-serviceable parts inside. Refer servicing to qualified service personnel only.



The lightning flash with arrowhead symbol within the equilateral triangle is intended to alert the user to the presence of un-insulated "dangerous voltage" within the product's enclosure that may be of sufficient magnitude to constitute a risk of electric shock.



The exclamation point within the equilateral triangle is intended to alert the user to the presence of important operation and maintenance (servicing) instructions in the literature accompanying this appliance.



This symbol means: indoor use only



This symbol means: Read instructions



This symbol determines: the minimum distance from lighted objects. The minimum distance between light-output and the illuminated surface must be more than 1 meters

RISK GROUP 2
CAUTION:
Do not stare at operating lamp

CAUTION: Do not stare at operating lamp.
May be harmful to the eyes.

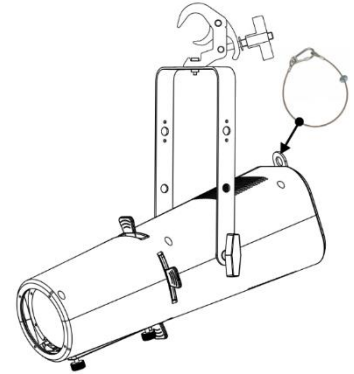
- To protect the environment, please try to recycle the packing material as much as possible.
- To prevent fire or shock hazard, do not expose this appliance to rain or moisture.
- To avoid condensation to be formed inside, allow the unit to adapt to the surrounding temperatures when bringing it into a warm room after transport. Condense sometimes prevents the unit from working at full performance or may even cause damages.
- This unit is for indoor use only.
- Don't place metal objects or spill liquid inside the unit. Electric shock or malfunction may result. If a foreign object enters the unit, immediately disconnect the mains power.
- Locate the fixture in a well-ventilated spot, away from any flammable materials and/or liquids. The fixture must be fixed at least 50cm from surrounding walls.
- Don't cover any ventilation openings as this may result in overheating.
- Prevent use in dusty environments and clean the unit regularly.
- Keep the unit away from children.
- Inexperienced persons should not operate this device.
- Maximum safe ambient temperature is 40°C. Don't use this unit at higher ambient temperatures.
- Make sure the area below the installation place is free from unwanted persons during rigging, de-rigging and servicing.
- Allow the device about 10 minutes to cool down before to start servicing.
- Always unplug the unit when it is not used for a longer time or before to start servicing.
- The electrical installation should be carried out by qualified personal only, according to the regulations for electrical and mechanical safety in your country.
- Check that the available voltage is not higher than the one stated on the unit.
- The power cord should always be in perfect condition. Switch the unit immediately off when the power cord is squashed or damaged. It must be replaced by the manufacturer, its service agent or similarly qualified persons in order to avoid a hazard.
- Never let the power-cord come into contact with other cables!
- This fixture must be earthed in order to comply with safety regulations.
- Don't connect the unit to any dimmer pack.
- Always use an appropriate and certified safety cable when installing the unit.
- In order to prevent electric shock, do not open the cover. Apart from the mains fuse there are no user serviceable parts inside.
- **Never** repair a fuse or bypass the fuse holder. **Always** replace a damaged fuse with a fuse of the same type and electrical specifications!
- In the event of serious operating problems, stop using the fixture and contact your dealer immediately.
- The housing and the lenses must be replaced if they are visibly damaged.
- Please use the original packing when the device is to be transported.
- Due to safety reasons it is prohibited to make unauthorized modifications to the unit.

Important: Never look directly into the light source! Don't use the effect in the presence of persons suffering from epilepsy.

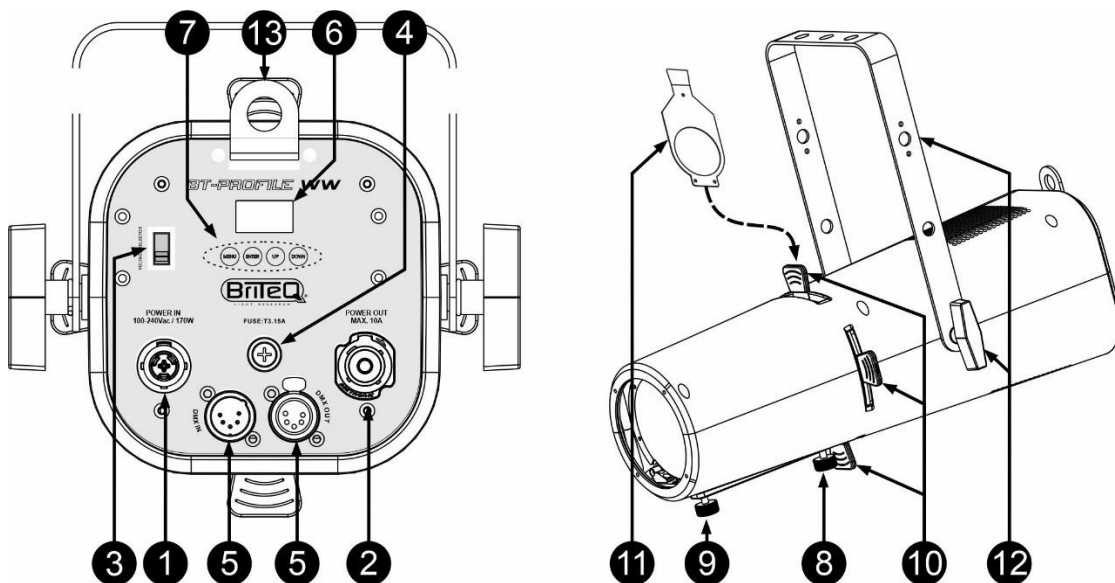
OVERHEAD RIGGING

Important: The installation must be carried out by qualified service personal only. Improper installation can result in serious injuries and/or damage to property. Overhead rigging requires extensive experience! Working load limits should be respected, certified installation materials should be used, the installed device should be inspected regularly for safety.

- Make sure the area below the installation place is free from unwanted persons during rigging, de-rigging and servicing.
- Locate the fixture in a well-ventilated spot, far away from any flammable materials and/or liquids. The fixture must be fixed **at least 50cm** from surrounding walls.
- The device should be installed out of reach of people and outside areas where persons may walk by or be seated.
- Before rigging make sure that the installation area can hold a minimum point load of 10times the device's weight.
- Always use a certified safety cable that can hold 12times the weight of the device when installing the unit. This secondary safety attachment should be installed in a way that no part of the installation can drop more than 20cm if the main attachment fails.
- The device should be well fixed; a free-swinging mounting is dangerous and may not be considered!
- Don't cover any ventilation openings as this may result in overheating.
- The operator has to make sure that the safety-relating and machine-technical installations are approved by an expert before using them for the first time. The installations should be inspected every year by a skilled person to be sure that safety is still optimal.

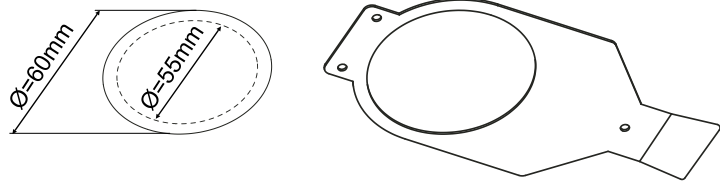


DESCRIPTION:



- 1. MAINS INPUT:** equipped with PowerCON® TRUE1 compatible connectors. Connect the supplied mains cable or any PowerCON® extension cable here.
- 2. MAINS OUTPUT:** used to daisy chain the power to several other projectors. Always pay attention to the maximum load while adding projectors! Special Multi cables (PowerCON® TRUE1 + DMX XLR combined cables are optionally available: see our website!)
- 3. VOLTAGE SELECTOR:** used to select between 110Vac and 230Vac, please check this switch before the projector is switched on.
- 4. MAINS FUSE:** protects the unit in case of electrical problems, always use the prescribed fuse!
- 5. DMX IN/OUT:** 5pin in/outputs are available to daisy chain the projector with other units that will be controlled by a DMX-controller.
- 6. DISPLAY:** shows the various menus and the selected functions.
- 7. CONTROL buttons:** used to navigate the setup menu to adapt settings and values. If the setup menu is locked, press the following button combination to unlock: ▲, ▼, ▲, ▼, [ENTER]
- 8. ZOOM KNOB:** used to adjust the size of the light beam or projected gobo, please secure it after use.
- 9. FOCUS KNOW:** used to focus the beam / projected gobo after the size was adjusted, secure it after use.

- 10.FRAMING SHUTTERS:** a set of 4 shutter blades that can be used to manually define the shape of the beam.
- 11.GOBO HOLDER:** to install a standard or custom-made gobo. Open the gobo holder gently and slide the gobo inside. The gobo should have an outside diameter of 60mm, while the maximum pattern size can be 55mm. The gobo holder is inserted on the top of the projector, just in front of the upper shutter blade.
- 12.HANGING BRACKET:** with a knob on both sides to fasten the unit in the desired position. You can use the holes of the bracket to fix a hook or truss clamp.
- 13.SAFETY EYE:** used to attach a safety cable when the unit is rigged, see paragraph “overhead rigging”.



SETUP MENU / HOW TO SETUP

With the setup menu you can fully configure the projector. All settings are preserved when the unit is disconnected from the mains.

- [MENU] button: press to enter / leave the setup menu.
- ▶ [ENTER] button: press to select / confirm or store the current menu option or value.
- ▲/▼ [UP/DOWN] button: press to navigate the setup menu or change a value.

MAIN MENU	SUB MENU	VALUES	REMARKS	
STATIC	WHITE	0 → 255	Master dimmer while working in STATIC mode (0 → 255)	
	STROBE	0 → 25	Set the value of the [STROBE] (0 → 25Hz).	
ADDRESS		001 - 512	Set the DMX ADDRESS (default 001)	
RUN MODE	DMX		Sets the mode to DMX control (default mode)	
	STATIC		Projector in Stand-alone mode: use the settings in STATIC	
	SLAVE		Sets the mode to master/slave	
	DIMMER PACK		The projector can be dimmed using an external dimmer pack	
	AUTO DIM/DMX		Automatically chooses between DIMMER PACK and DMX	
PERSONALITY	UNO		1CH-mode: 8bit dimmer	
	DOS		2CH-mode: 16bit dimmer	
	STD. P		4CH-mode: 16bit dimer + strobe + control channel	
SETTING	RESET	[PASSWORD]	Restore factory settings (extra password to confirm)	
	DIMMER	DIM4		Dimming curves OFF(fast) to DIM4(slow) (DIM4 = default)
		DIM3		
		DIM2		
		DIM1		
		OFF		
	DMX ERROR	FREEZE		Hold after loss of DMX signal (default)
		BLACKOUT		Blackout after loss of DMX signal
	PWM_RATE	1200Hz		Sets the PWM frequency (1200Hz = default)
		2400Hz		
		4000Hz		
		6000Hz		
		25000Hz		
	FAN MODE	LIVE		Fan speed is temperature controlled (default)
		POWER		Fast fan rotation for maximum light output
STUDIO			Lowest fan noises, output reduced with high temperature.	
DISP LOCK	ON		Locks ALL setup menus (default)	
	OFF		Only the SETTINGS menu (SUB MENU 2) is locked	
DISP TIME	ON		Display backlight always on	
	10s		Turns off display backlight after 10s	
	30s		Turns off display backlight after 30s (default)	
	2min		Turns off display backlight after 120s (default)	
INFO	FIXTURE HOURS	** HOURS	Shows the number of hours the fixture was used.	
	VERSION	V*.* 20**-**-**	Software version + date of publication	
	RDM UID	0x2122004Bxxxx	Check fixture's ID	
	RDM LABEL	BT-PROFILE-WW	Check fixture's LABEL	

All passwords of this product are: <UP>, <DOWN>, <UP>, <DOWN>, <ENTER>

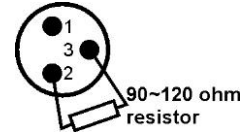
ELECTRICAL INSTALLATION



Important: The electrical installation should be carried out by qualified personal only, according to the regulations for electrical and mechanical safety in your country.

Electrical installation for two or more units in DMX-mode:

- The DMX-protocol is a widely used high speed signal to control intelligent light equipment. You need to “daisy chain” your DMX controller and all the connected units.
- Pin layout XLR-3pin: Pin1 = GND ~ Pin2 = Negative signal (-) ~ Pin3 = Positive signal (+)
- To prevent strange behavior of the light effects, due to interferences, you must use a 90Ω to 120Ω terminator at the end of the chain. Never use Y-splitter cables, this simply won't work!
- Make sure that all units are connected to the mains.
- Each unit in the chain needs to have its proper starting address so it knows which commands from the controller it has to decode.



USE IN STAND-ALONE (STATIC) MODE

The projector can be used without the need for a DMX controller. The last used setting is preserved when the projector is switched off.

- In the setup menu: select [RUN MODE] and choose the option [STATIC]
- Now you can set the desired output manually.
- Choose the option [DIMMER] and set the desired light output.
- If needed, you can also adapt the strobe speeds, leave it to zero if no strobe is needed.

RDM FUNCTIONS / REMOTE SETUP

RDM means “Remote Device Management”. This projector works with a brief set of RDM-functions which means that it can setup a bi-directional communication with an RDM-compatible DMX-controller. Some of these functions are briefly explained below, others will be added in the future.

- The DMX-controller sends out a “discovery command”, all RDM devices respond and send their unique device ID.
- The DMX-controller asks each RDM device for some basic data so it knows which devices are connected. The projector will respond:
 - **Device name:** BT-PROFILE WW
 - **Manufacturer:** Briteq®
 - **Category:** LED Dimmer
 - **Firmware:** x.x.x.x (firmware version of the projector)
 - **DMX address:** xxx (current DMX start address of the projector)
 - **DMX footprint:** xx (number of DMX-channels used by the projector)
 - **Personality:** xx (current personality [or DMX-working mode] used by the projectors)
- The DMX-controller can send certain commands to each RDM device which allow remote setup of the units. Thanks to this the projector can be setup remotely.

The following functions can be managed remotely:

No more need to take a ladder and set all units one by one!

- **DMX START ADDRESS:** The start address can be set remotely from 001 to xxx.
- **PERSONALITY:** The DMX working mode (DMX-chart) can be set remotely.
- **DIMMER CURVE:** choose DIM4 (slow) or ODD (fast)
- **PWM FREQ:** choose the desired refresh rate for the LED

These functions make it possible to prepare a complete DMX-patch of all projectors on the DMX-controller and send these data to all projectors at once. More functions will be added later.

Also the LED-temperature can be monitored through RDM.

DMX CHARTS

UNO	DOS	STD.P	Value	Function
1	1	1	000-255	DIMMER
	2	2	000-255	DIMMER FINE
				STROBE
			000-009	NO FUNCTION
			010-099	STROBE FROM (SLOD TO FAST, 0-25Hz)
		3	100-109	NO FUNCTION
			110-179	LIGHTNING STROBE
			180-189	NO FUNCTION
			190-255	RANDOM STROBE
				CONTROL (3s before activation)
			000-010	NO FUNCTION
			011-060	RESERVED
			061-070	LIVE
			071-080	STUDIO
			081-090	POWER
			091-100	RESERVED
			101-110	DIMMER OFF (fast)
		4	111-120	DIMMER DIM4 (slow)
			121-150	RESERVED
			151-160	PWM: 1200Hz
			161-170	PWM: 2400Hz
			171-180	PWM: 4000Hz
			181-190	PWM: 6000Hz
			191-200	PWM: 25000Hz
			201-210	ALL RESET
			211-255	RESERVED

MAINTENANCE

- Make sure the area below the installation place is free from unwanted persons during servicing.
- Switch off the unit, unplug the mains cable and wait until the unit has been cooled down.

During inspection the following points should be checked:

- All screws used for installing the device and any of its parts should be tightly fastened and may not be corroded.
- Housings, fixations and installations spots (ceiling, truss, suspensions) should be totally free from any deformation.
- When an optical lens is visibly damaged due to cracks or deep scratches, it must be replaced.
- The mains cables must be in impeccable condition and should be replaced immediately when even a small problem is detected.
- In order to protect the device from overheat the cooling fans (if any) and ventilation openings should be cleaned monthly.
- The interior of the device should be cleaned annually using a vacuum cleaner or air-jet.
- The cleaning of internal and external optical lenses and/or mirrors must be carried out periodically to optimize light output. Cleaning frequency depends on the environment in which the fixture operates: damp, smoky or particularly dirty surroundings can cause greater accumulation of dirt on the unit's optics.
 - Clean with a soft cloth using normal glass cleaning products.
 - Always dry the parts carefully.

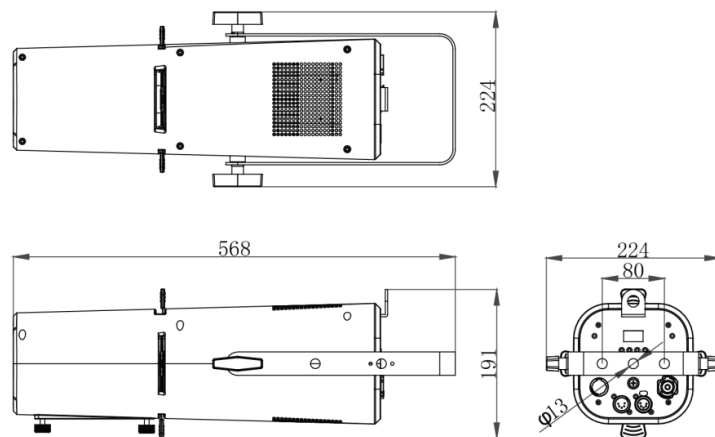
Attention: We strongly recommend internal cleaning to be carried out by qualified personnel!

SPECIFICATIONS

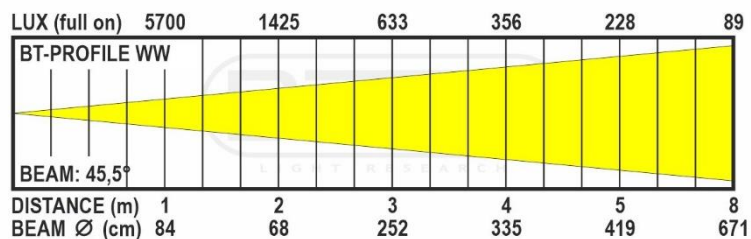
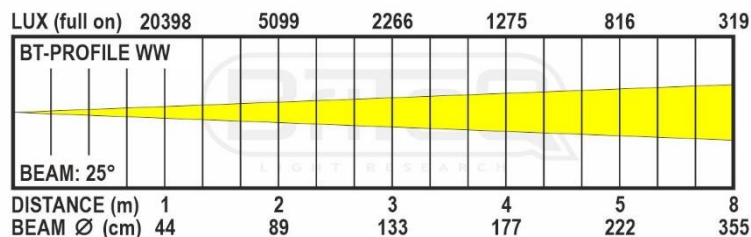
This unit is radio-interference suppressed. This product meets the requirements of the current European and national guidelines. Conformity has been established and the relevant statements and documents have been deposited by the manufacturer.

Mains Input:	AC 100 - 240V, 50/60Hz
Fuse:	T3.15A / 250V (20x5mm)
Power consumption (max):	170 Watts
Power connections:	PowerCON TRUE1 compatible connector, input / output
Power Linking capacity:	10A @ 240V
DMX connections:	5 pin-XLR male / female inputs + outputs
Lamp:	WHITE LED 170W
Color Temperature:	3200K
CRI:	>96
Beam Angle:	manual zoom 25° ~ 50°
IP-Rating:	IP20
Operating Temperature:	0°C – 45°C
Size:	See drawing
Weight:	6,2 kg

DIMENSIONS:



LUX CHARTS



The information might be modified without prior notice

You can download the latest version of this user manual on our website: www.briteq-lighting.com



MAILING LIST

EN: Subscribe today to our mailing list for the latest product news!

FR: Inscrivez-vous à notre liste de distribution si vous souhaitez suivre l'actualité de nos produits!

NL: Abonneer je vandaag nog op onze mailinglijst en ontvang ons laatste product nieuws!

DE: Abonnieren Sie unseren Newsletter und erhalten Sie aktuelle Produktinformationen!

ES: Suscríbete hoy a nuestra lista de correo para recibir las últimas noticias!

PT: Inscreva-se hoje na nossa mailing list para estar a par das últimas notícias!

WWW.BRITEQ-LIGHTING.COM

Copyright © 2023 by BEGLEC NV

't Hofveld 2C ~ B1702 Groot-Bijgaarden ~ Belgium

Reproduction or publication of the content in any manner, without express permission of the publisher, is prohibited.