

Photometric Test Report



MOSAICOFX100

100W IP66 modular LED image projector
with dual effect wheel and gobo slot

CONTENTS

Table of contents	2
Testing process	3
Preset Full on	
Water effect and Gobo Narrow Optic 15° (LWGN)	4
Water effect Medium Optic 30° (LWTM)	7
Water effect Wide Optic 50° (LWTW)	10
Water effect and Gobo Super Wide Optic 70° (LWGVW)	13
Gobo projection Medium Optic 30° (LGBM)	16
Gobo projection Wide Optic 50° (LGBW)	19

TESTING PROCESS

Prolights has its own optical testing laboratory in order to provide accurate photometric reports for its lighting products. The testing laboratory contains certain variety of precise lighting measurement systems that ensure an optimal reading of all the characteristic parameters of the lighting devices. All measurements are made at a controlled room temperature of 20°C without any external light sources. This photometric report is obtained through the data measured by a high precision measurement system and analyzed by a dedicate software.

Prolights measurement instrument

Prolights measurement instrument is a complete measurement system for any light source. It's equipped with two-axis goniometer, that enables to measure the full 3D distribution field of the light source. This instrument measures the light intensity, the beam angle and the most significative colors parameters, like color temperature, spectral distribution, CRI, CQS, TM-30 with a very high accuracy rate.

Please Note: All measurements are made with light source at operating temperature. Before starting the measurement, the instrument analyzes the process of the light source during the heating phase. The measuring process of all the parameters begins only when the light emission is stable, that is with a variation of less than 0.5% in a 15 minutes time frame.

Prolights measurement software

The software provides user friendly interface for the operator who does the measurements, and it also analyzes and processes all the collected data by the instrument. With this software it is possible to see the measured data in real-time and it is possible to examine all the measured data and graphics afterwards as well. All information is collected in a specific Prolights template, and the software creates also IES and LDT files, which are widely used to transfer the photometric data, and to develop lighting system.

Additionally, the fixtures are rechecked using various hand-held instruments like Sekonic C-700 and Gossen Mavospec Base, this is done to ensure, that the data in the photometric report are as accurate as possible.



Total lumen output:

3174 lm

Peak candela output:

40294 cd

PRODUCT NAME:

Mosaico FX100

MEASUREMENT CONDITIONS:

Beam angle:

Optic 15° LWGN

Target:

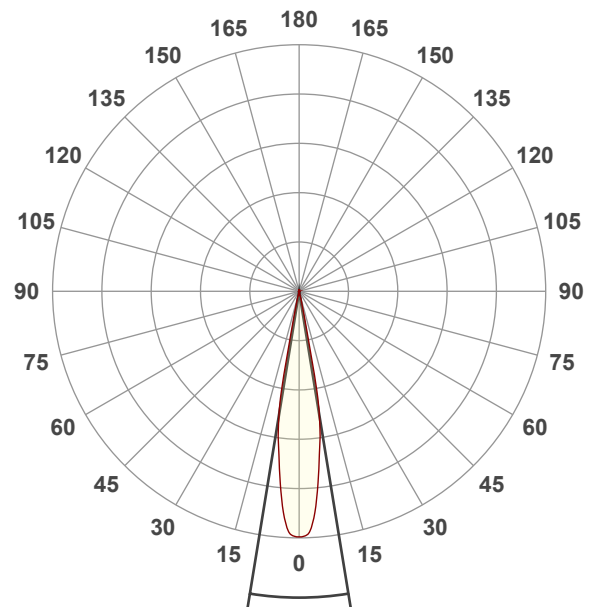
Full on

Operator:

Salvatore Giglio

Date and time:

11/01/2023 10:38:43

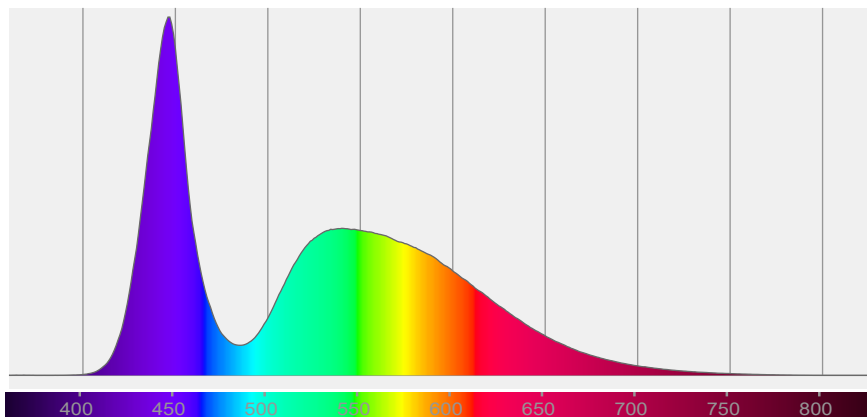


Beam angle 50%: 18,5°

Field angle 10%: 23,4°

Cut off angle 2.5%: 25,5°

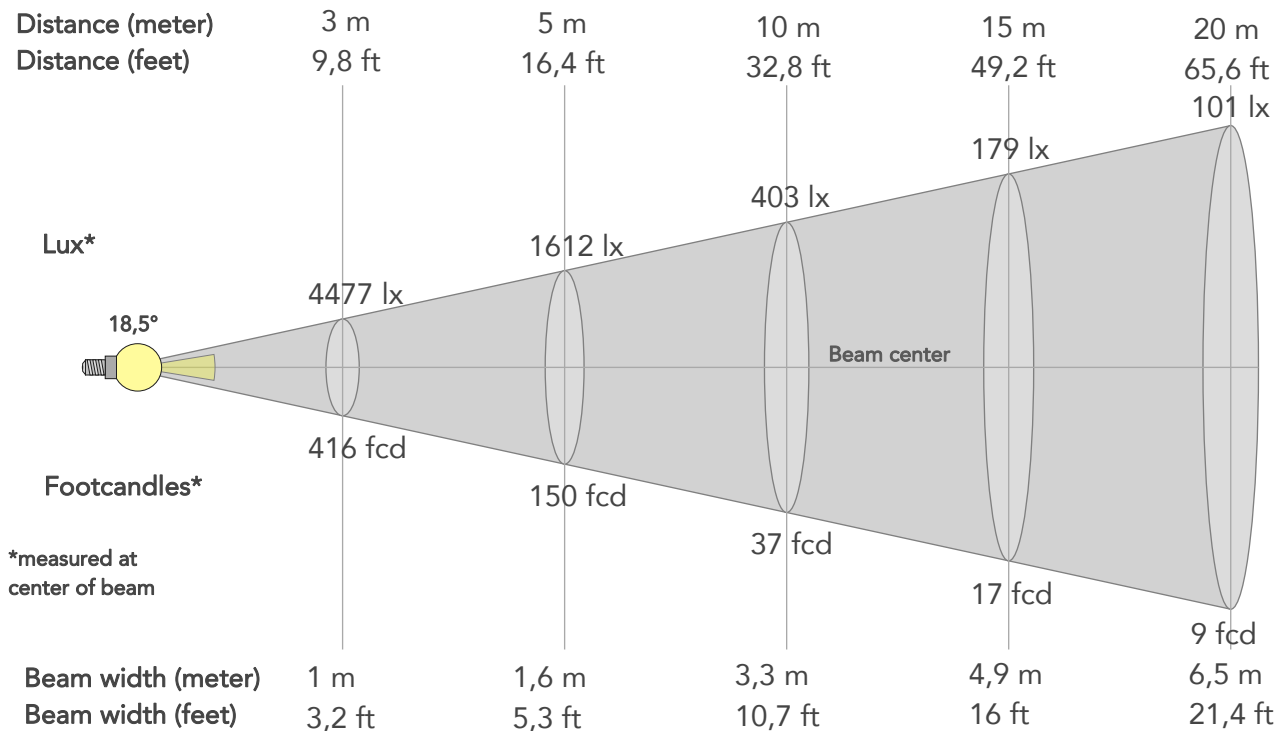
Spectra



BEAM DETAILS



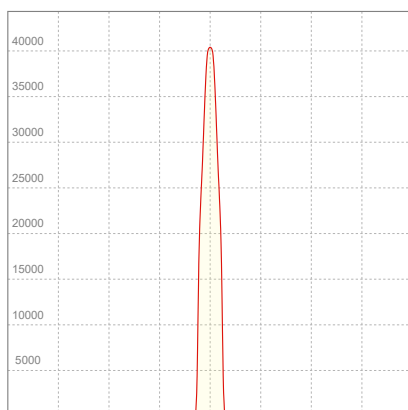
Beam angle 50%	Field angle 10%	Cut off angle 2,5%	Intensity ratio in 120° cone	Intensity ratio in 90° cone
18,5°	23,4°	25,5°	97,4%	97,4%



BEAM INTENSITIES AND WIDTHS

Distance	1m	2m	3m	4m	5m	7,5m	10m	15m	20m	25m	30m	40m	50m
Distance	3,3ft	6,6ft	9,8ft	13,1ft	16,4ft	24,6ft	32,8ft	49,2ft	65,6ft	82ft	98,4ft	131,2ft	164ft
Lux	40294lx	10074lx	4477lx	2518lx	1612lx	716lx	403lx	179lx	101lx	64lx	45lx	25lx	16lx
Footcand.	3743fcd	936fcd	416fcd	234fcd	150fcd	67fcd	37fcd	17fcd	9fcd	6fcd	4fcd	2fcd	1fcd
Beam wid.	0,3m	0,7m	1m	1,3m	1,6m	2,4m	3,3m	4,9m	6,5m	8,1m	9,8m	13m	16,3m
Beam wid.	1,1ft	2,2ft	3,2ft	4,3ft	5,3ft	8ft	10,7ft	16ft	21,4ft	26,7ft	32,1ft	42,7ft	53,4ft

LINEAR DISTRIBUTION DIAGRAM

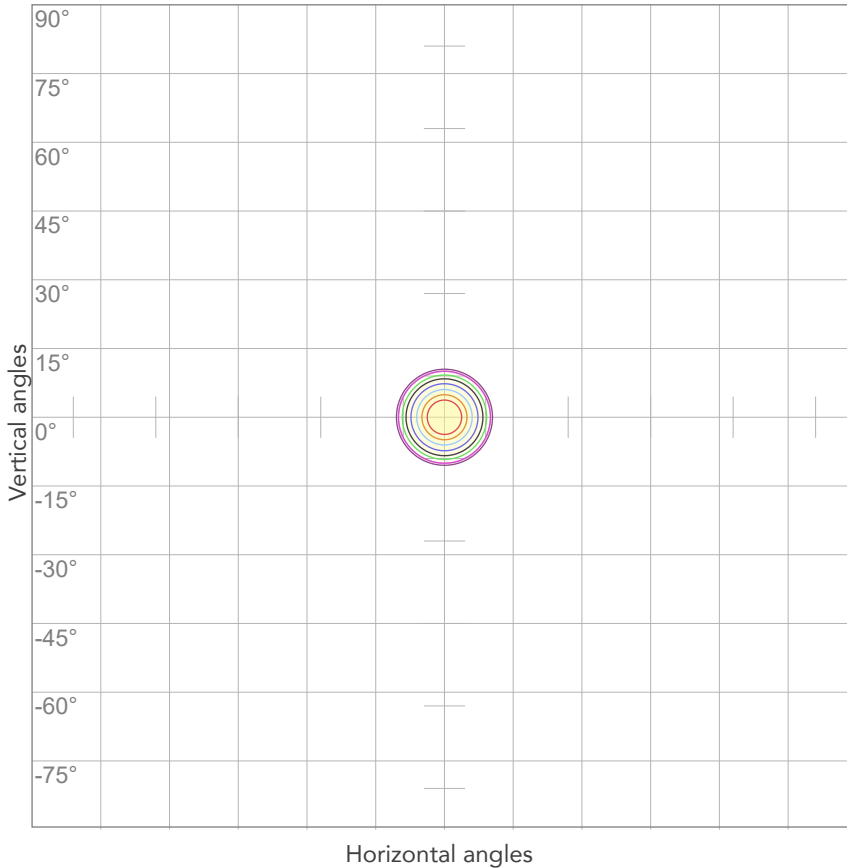


ELECTRICAL SPECIFICATIONS

Input voltage	Input current	Input power	Effeciency
225V	0,506A	108,8W	29lm/W

Power FC
0,95

ISO CANDELA DIAGRAM



10%	4029 cd
20%	8059 cd
30%	12088 cd
40%	16118 cd
50%	20147 cd
60%	24176 cd
70%	28206 cd
80%	32235 cd

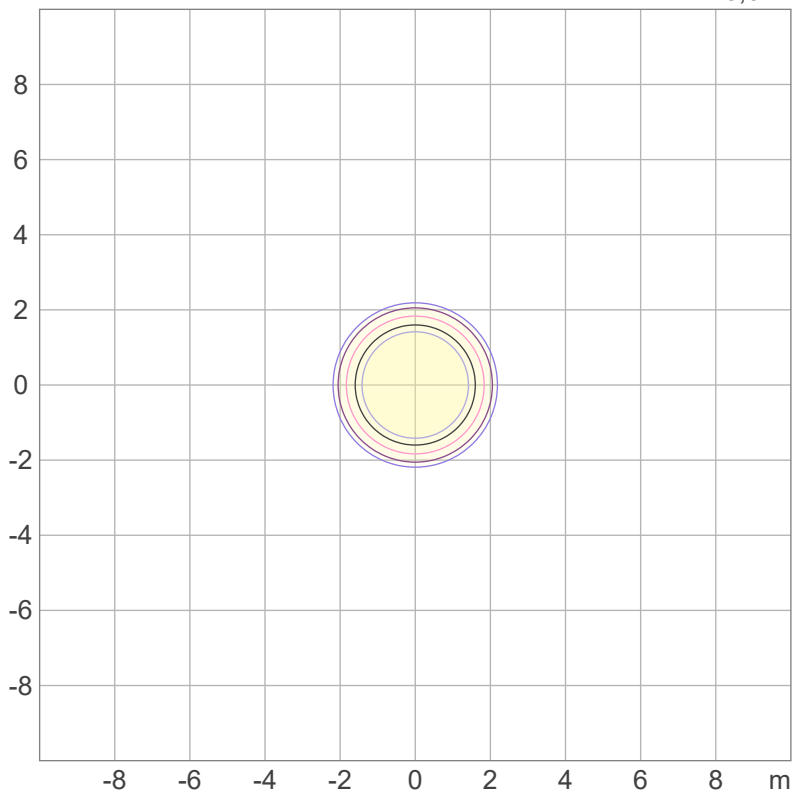
Conditions:

Number of c-planes: 2

Candela at center: 40294 cd

ISO LUX DIAGRAM

MH: 10,0 m



Mounting height: 10 meters (33 feet)

3%	12,1 lx
5%	20,1 lx
10%	40,3 lx
30%	121 lx
50%	201 lx

Conditions:

Number of c-planes: 2

Lux at center: 403 lx

Lux distribution on a surface when lamp is mounted at 10 meters from the surface.



Total lumen output:

3246 lm

Peak candela output:

23854 cd

PRODUCT NAME:

Mosaico FX100

MEASUREMENT CONDITIONS:

Beam angle:

Optic 30° LWTM

Target:

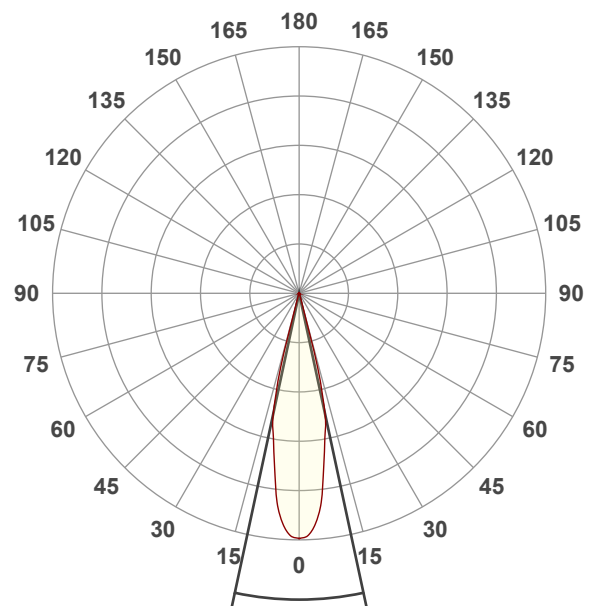
Full on

Operator:

Salvatore Giglio

Date and time:

11/01/2023 12:44:14

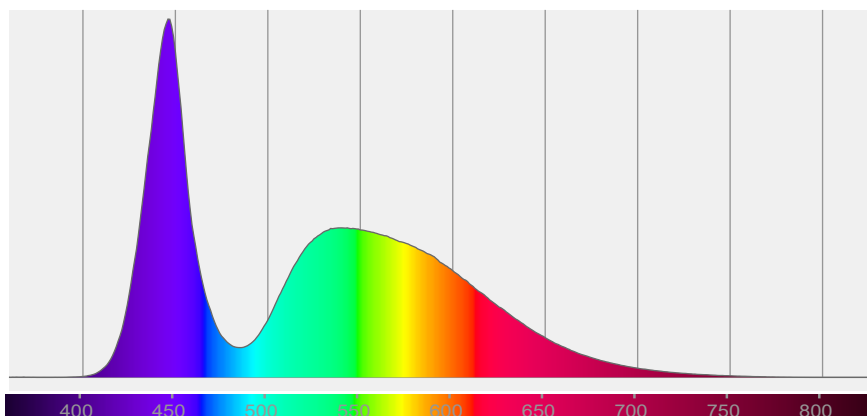


Beam angle 50%: 24,2°

Field angle 10%: 31,1°

Cut off angle 2.5%: 33,3°

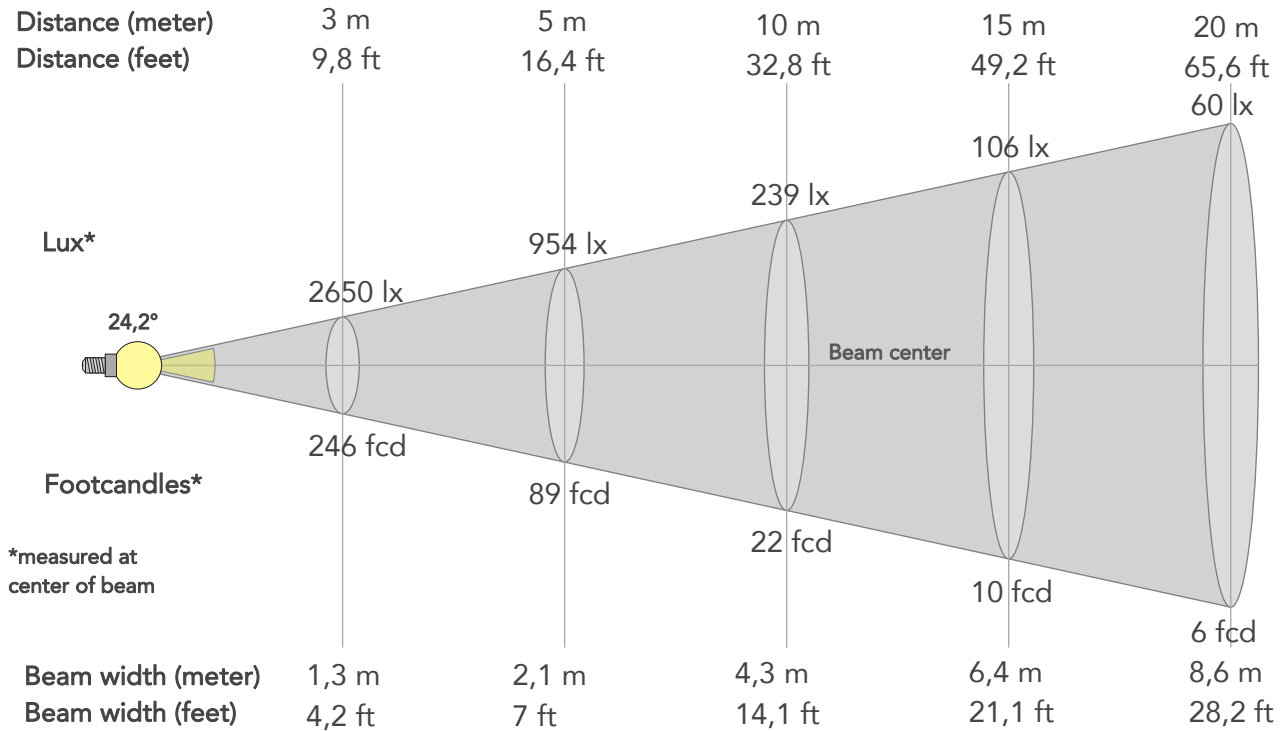
Spectra



BEAM DETAILS



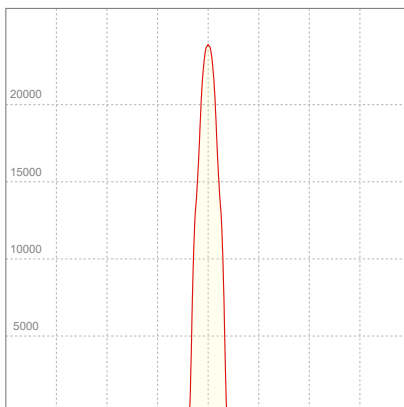
Beam angle 50%	Field angle 10%	Cut off angle 2,5%	Intensity ratio in 120° cone	Intensity ratio in 90° cone
24,2°	31,1°	33,3°	95,5%	95,5%



BEAM INTENSITIES AND WIDTHS

Distance	1m	2m	3m	4m	5m	7,5m	10m	15m	20m	25m	30m	40m	50m
Distance	3,3ft	6,6ft	9,8ft	13,1ft	16,4ft	24,6ft	32,8ft	49,2ft	65,6ft	82ft	98,4ft	131,2ft	164ft
Lux	23854lx	5964lx	2650lx	1491lx	954lx	424lx	239lx	106lx	60lx	38lx	27lx	15lx	10lx
Footcand.	2216fcd	554fcd	246fcd	139fcd	89fcd	39fcd	22fcd	10fcd	6fcd	4fcd	2fcd	1fcd	1fcd
Beam wid.	0,4m	0,9m	1,3m	1,7m	2,1m	3,2m	4,3m	6,4m	8,6m	10,7m	12,9m	17,2m	21,5m
Beam wid.	1,4ft	2,8ft	4,2ft	5,6ft	7ft	10,6ft	14,1ft	21,1ft	28,2ft	35,2ft	42,3ft	56,4ft	70,4ft

LINEAR DISTRIBUTION DIAGRAM

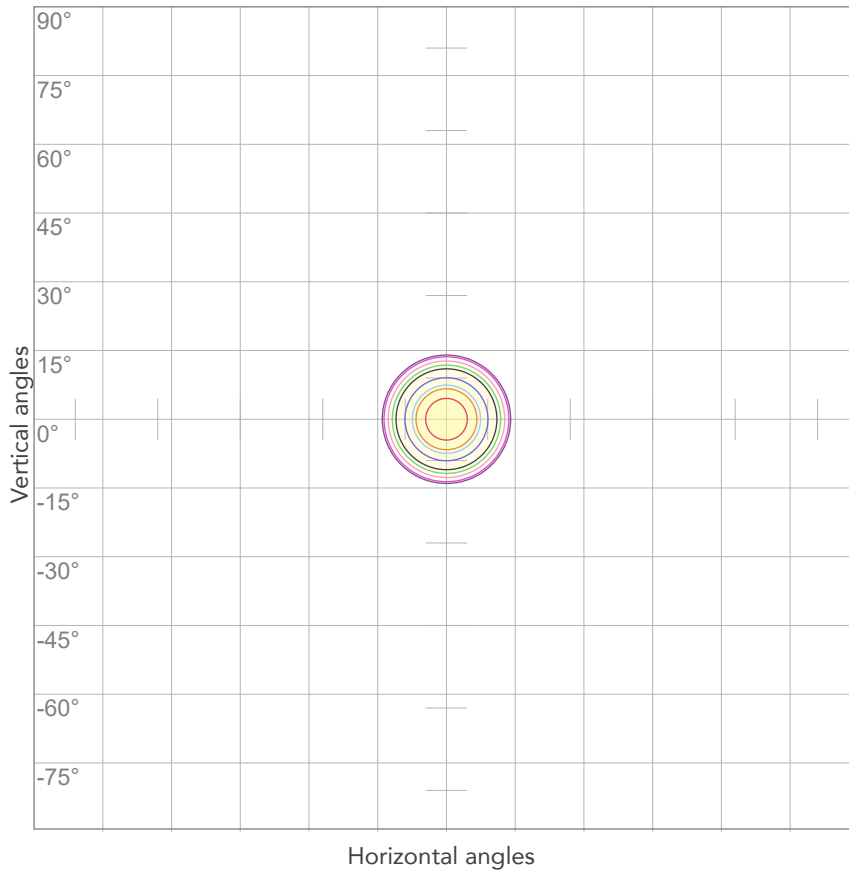


ELECTRICAL SPECIFICATIONS

Input voltage	Input current	Input power	Effeciency
226V	0,501A	108,2W	30lm/W

Power FC
0,95

ISO CANDELA DIAGRAM



10%	2385 cd
20%	4771 cd
30%	7156 cd
40%	9542 cd
50%	11927 cd
60%	14312 cd
70%	16698 cd
80%	19083 cd

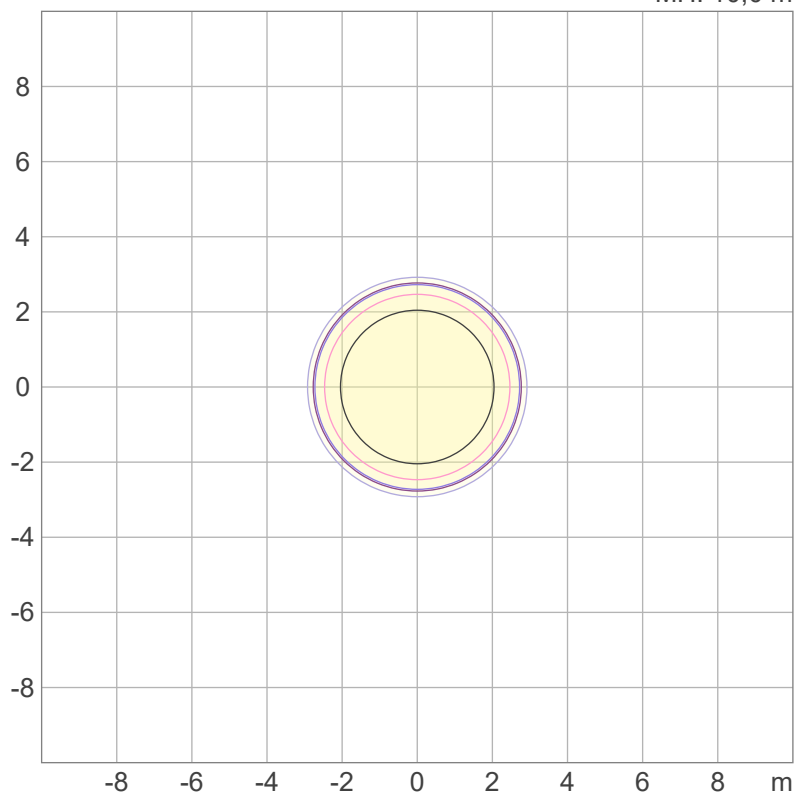
Conditions:

Number of c-planes: 2

Candela at center: 23854 cd

ISO LUX DIAGRAM

MH: 10,0 m



3%	7,16 lx
5%	11,9 lx
10%	23,9 lx
30%	71,6 lx
50%	119 lx

Conditions:

Number of c-planes: 2

Lux at center: 239 lx

Lux distribution on a surface when lamp is mounted at 10 meters from the surface.



Total lumen output:

3645 lm

Peak candela output:

9876 cd

PRODUCT NAME:

Mosaico FX100

MEASUREMENT CONDITIONS:

Beam angle:

Optic 50° LWTW

Target:

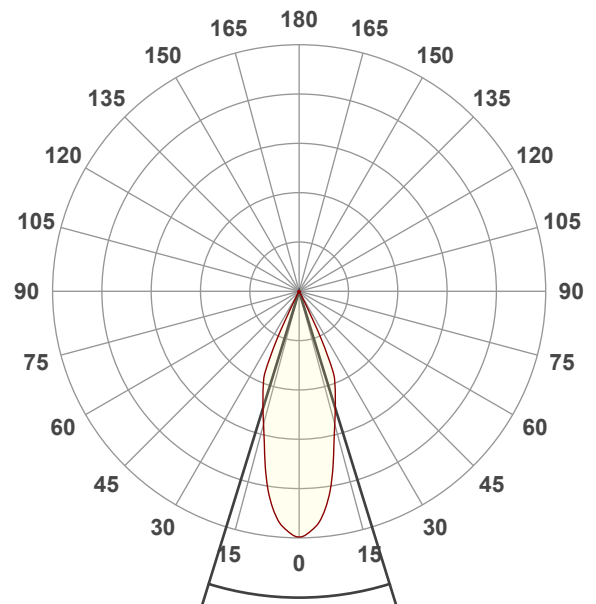
Full on

Operator:

Salvatore Giglio

Date and time:

11/01/2023 14:05:31

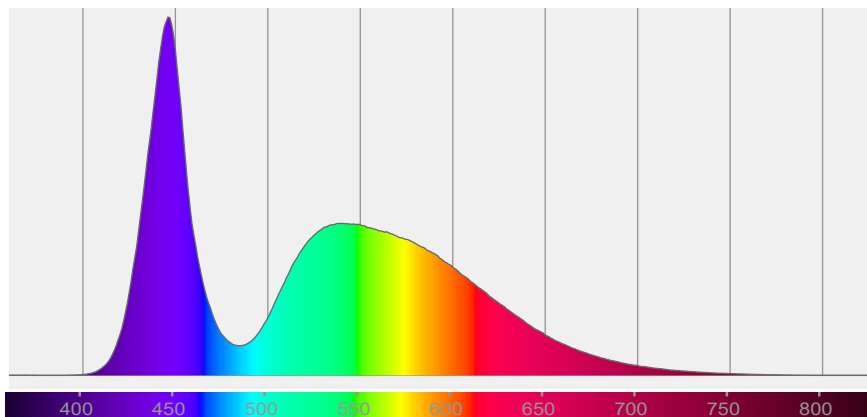


Beam angle 50%: 34,4°

Field angle 10%: 52,7°

Cut off angle 2.5%: 56,1°

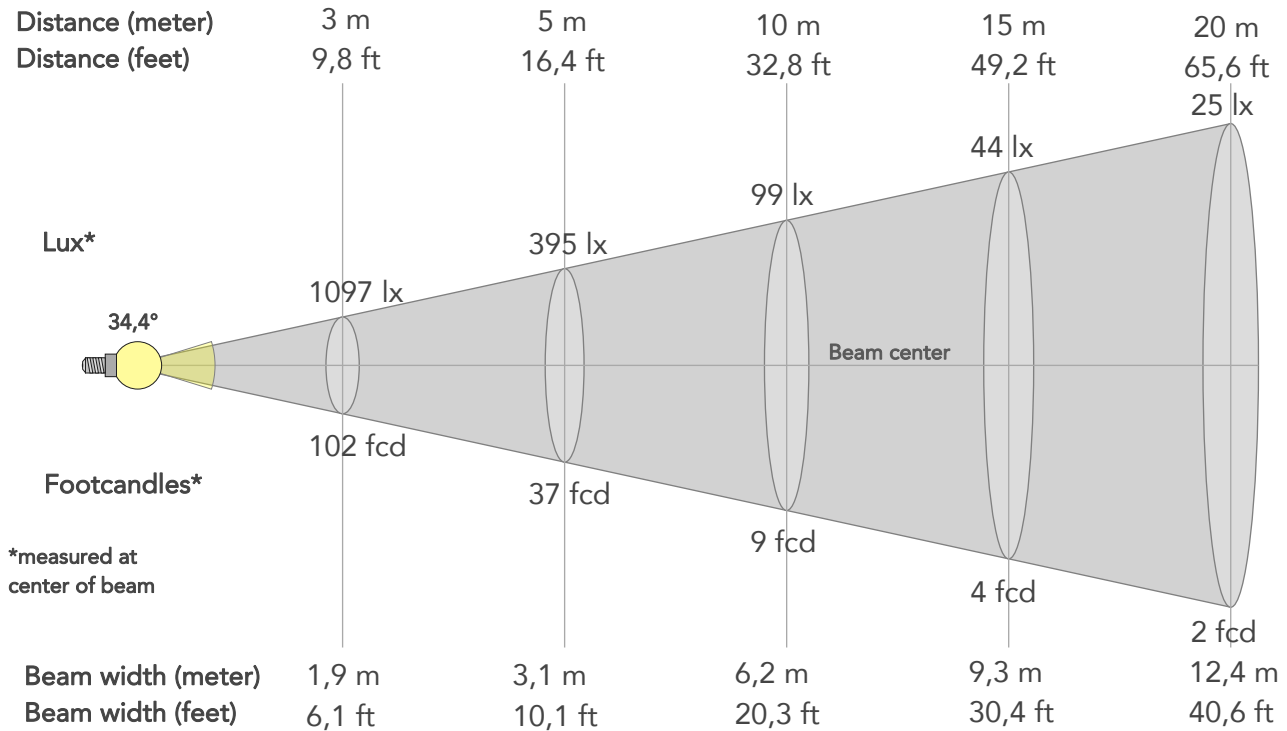
Spectra



BEAM DETAILS



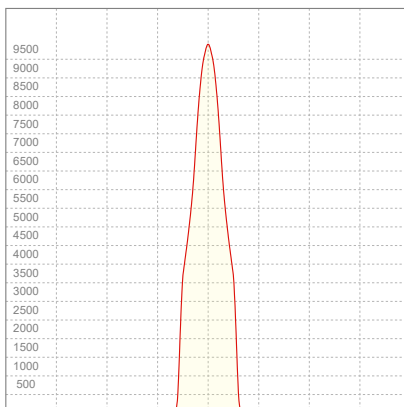
Beam angle 50%	Field angle 10%	Cut off angle 2,5%	Intensity ratio in 120° cone	Intensity ratio in 90° cone
34,4°	52,7°	56,1°	89,4%	89,1%



BEAM INTENSITIES AND WIDTHS

Distance	1m	2m	3m	4m	5m	7,5m	10m	15m	20m	25m	30m	40m	50m
Distance	3,3ft	6,6ft	9,8ft	13,1ft	16,4ft	24,6ft	32,8ft	49,2ft	65,6ft	82ft	98,4ft	131,2ft	164ft
Lux	9876lx	2469lx	1097lx	617lx	395lx	176lx	99lx	44lx	25lx	16lx	11lx	6lx	4lx
Footcand.	918fcd	229fcd	102fcd	57fcd	37fcd	16fcd	9fcd	4fcd	2fcd	1fcd	1fcd	1fcd	0fcd
Beam wid.	0,6m	1,2m	1,9m	2,5m	3,1m	4,6m	6,2m	9,3m	12,4m	15,5m	18,6m	24,7m	30,9m
Beam wid.	2ft	4,1ft	6,1ft	8,1ft	10,1ft	15,2ft	20,3ft	30,4ft	40,6ft	50,7ft	60,8ft	81,1ft	101,4ft

LINEAR DISTRIBUTION DIAGRAM

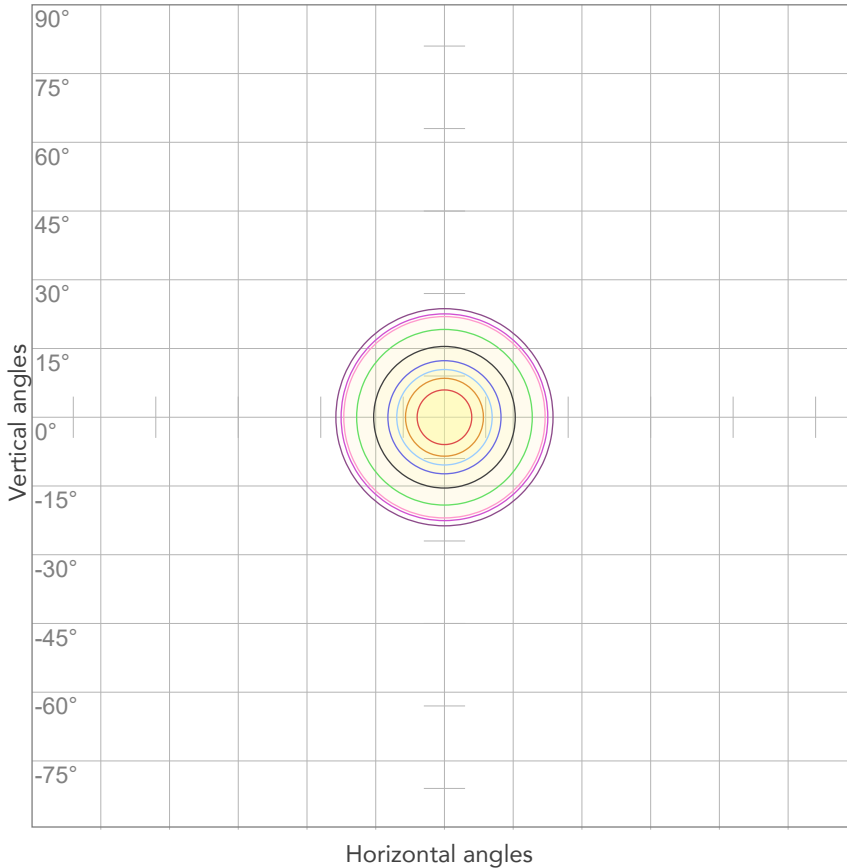


ELECTRICAL SPECIFICATIONS

Input voltage	Input current	Input power	Effeciency
226V	0,504A	108,5W	34lm/W

Power FC
0,95

ISO CANDELA DIAGRAM



10%	988 cd
20%	1975 cd
30%	2963 cd
40%	3951 cd
50%	4938 cd
60%	5926 cd
70%	6913 cd
80%	7901 cd

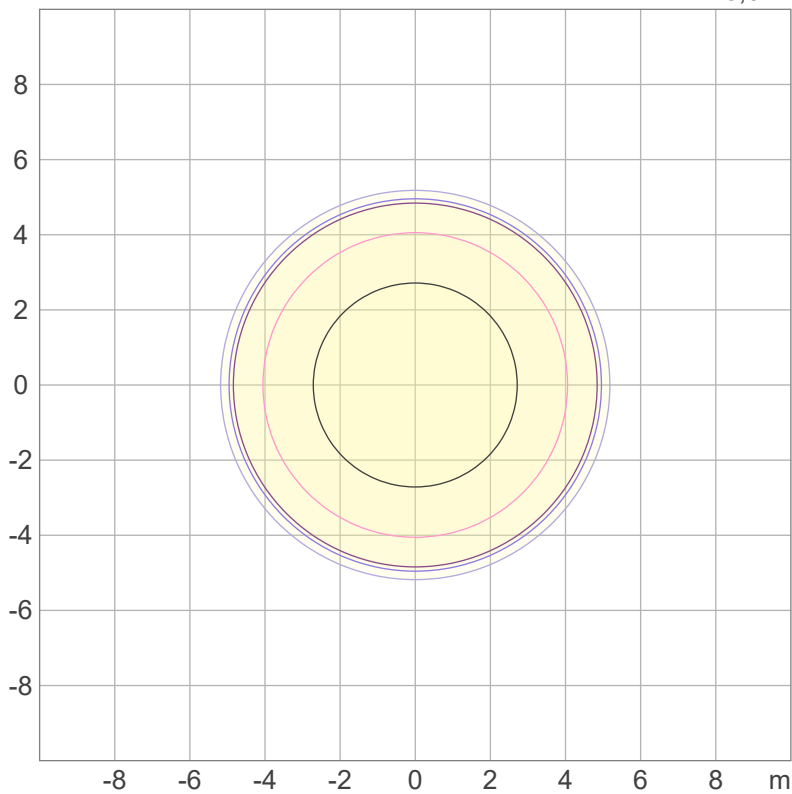
Conditions:

Number of c-planes: 2

Candela at center: 9876 cd

ISO LUX DIAGRAM

MH: 10,0 m



3%	2,96 lx
5%	4,94 lx
10%	9,88 lx
30%	29,6 lx
50%	49,4 lx

Conditions:

Number of c-planes: 2

Lux at center: 98,8 lx

Lux distribution on a surface when lamp is mounted at 10 meters from the surface.



Total lumen output:

2367 lm

Peak candela output:

4412 cd

PRODUCT NAME:

Mosaico FX100

MEASUREMENT CONDITIONS:

Beam angle:

Optic 70° LWGVW

Target:

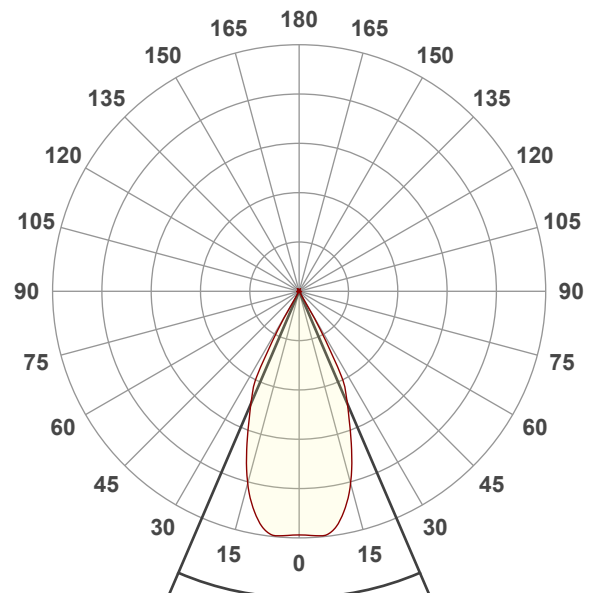
Full on

Operator:

Salvatore Giglio

Date and time:

11/01/2023 14:18:28

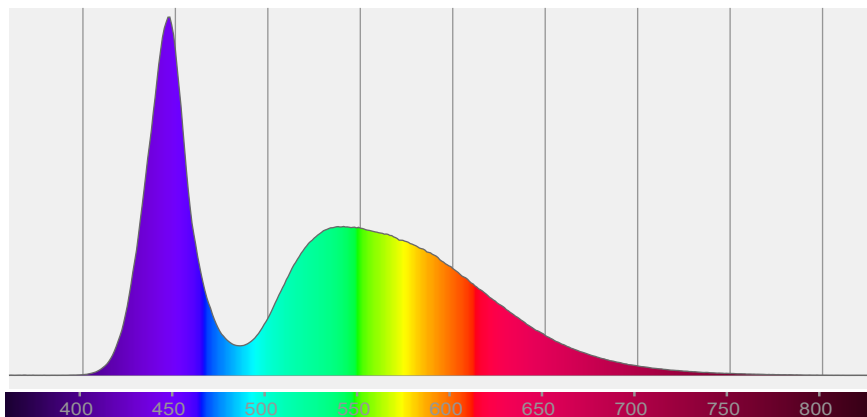


Beam angle 50%: 46,4°

Field angle 10%: 60,1°

Cut off angle 2.5%: 62,2°

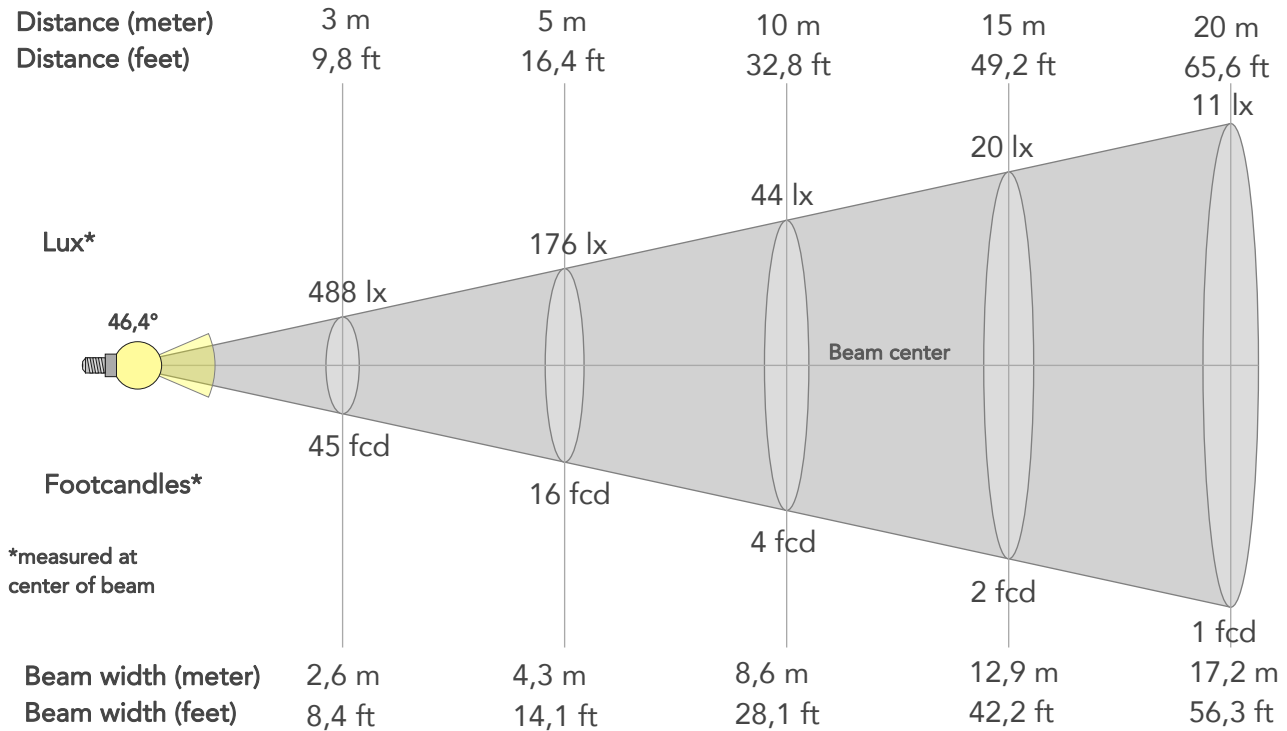
Spectra



BEAM DETAILS



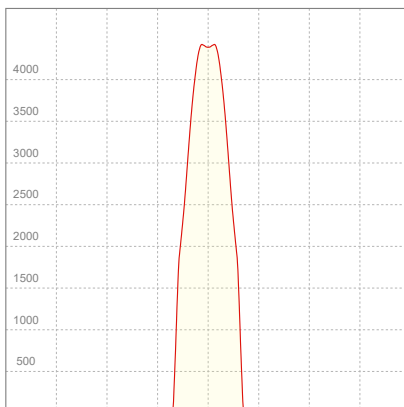
Beam angle 50%	Field angle 10%	Cut off angle 2,5%	Intensity ratio in 120° cone	Intensity ratio in 90° cone
46,4°	60,1°	62,2°	94,1%	93,4%



BEAM INTENSITIES AND WIDTHS

Distance	1m	2m	3m	4m	5m	7,5m	10m	15m	20m	25m	30m	40m	50m
Distance	3,3ft	6,6ft	9,8ft	13,1ft	16,4ft	24,6ft	32,8ft	49,2ft	65,6ft	82ft	98,4ft	131,2ft	164ft
Lux	4390lx	1098lx	488lx	274lx	176lx	78lx	44lx	20lx	11lx	7lx	5lx	3lx	2lx
Footcand.	408fcd	102fcd	45fcd	25fcd	16fcd	7fcd	4fcd	2fcd	1fcd	1fcd	0fcd	0fcd	0fcd
Beam wid.	0,9m	1,7m	2,6m	3,4m	4,3m	6,4m	8,6m	12,9m	17,2m	21,5m	25,7m	34,3m	42,9m
Beam wid.	2,8ft	5,7ft	8,4ft	11,2ft	14,1ft	21,1ft	28,1ft	42,2ft	56,3ft	70,4ft	84,4ft	112,6ft	140,7ft

LINEAR DISTRIBUTION DIAGRAM

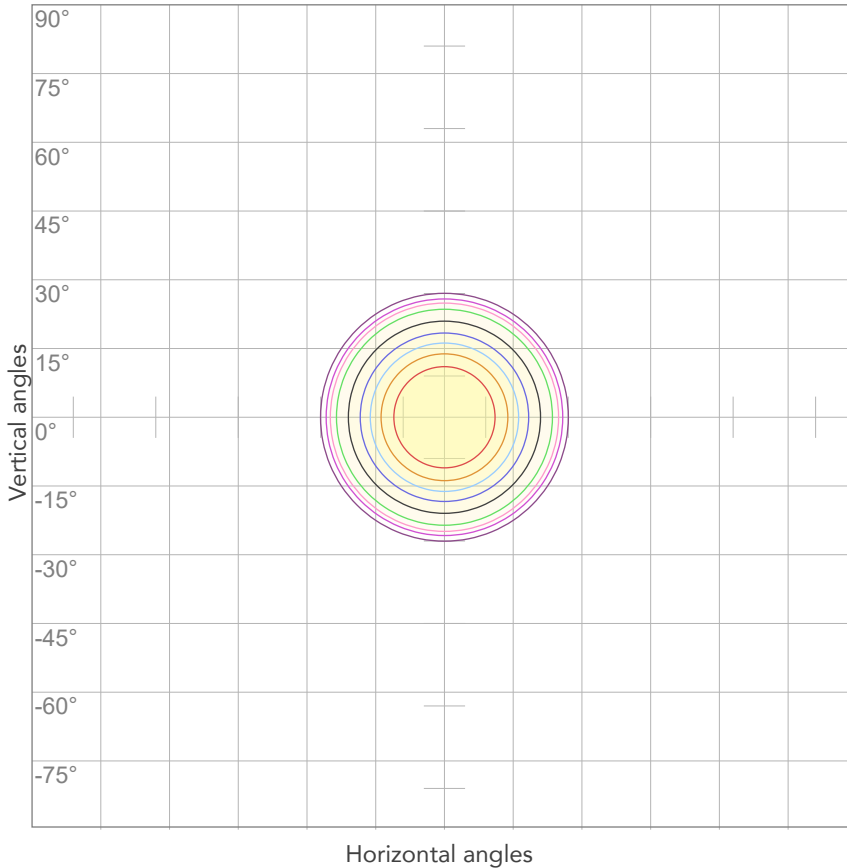


ELECTRICAL SPECIFICATIONS

Input voltage	Input current	Input power	Effeciency
225V	0,504A	108,3W	22lm/W

Power FC
0,95

ISO CANDELA DIAGRAM



10%	439 cd
20%	878 cd
30%	1317 cd
40%	1756 cd
50%	2195 cd
60%	2634 cd
70%	3073 cd
80%	3512 cd

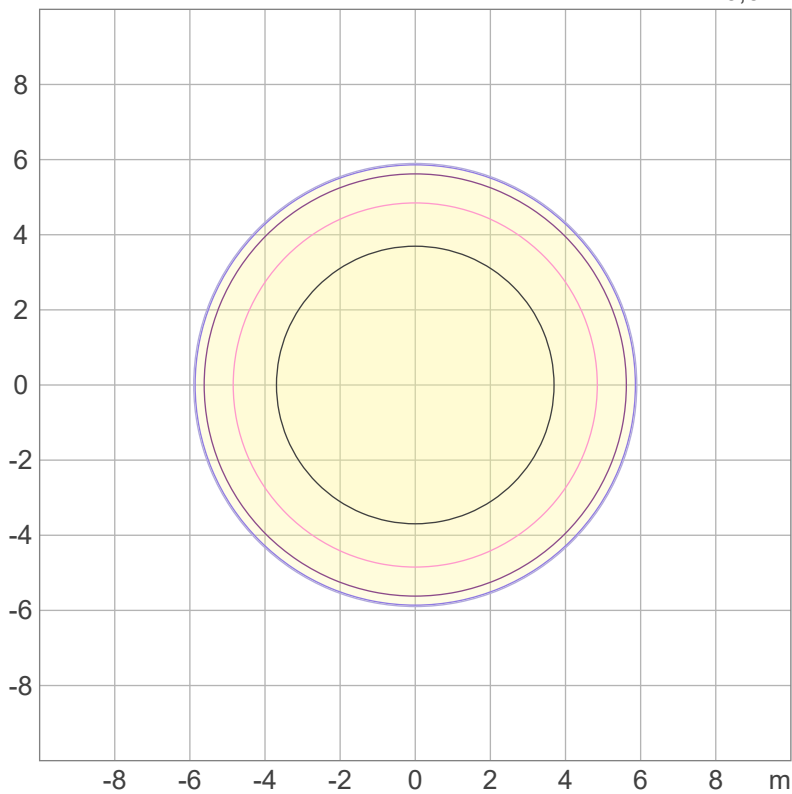
Conditions:

Number of c-planes: 2

Candela at center: 4390 cd

ISO LUX DIAGRAM

MH: 10,0 m



3%	1,32 lx
5%	2,20 lx
10%	4,39 lx
30%	13,2 lx
50%	22,0 lx

Conditions:

Number of c-planes: 2

Lux at center: 43,9 lx

Lux distribution on a surface when lamp is mounted at 10 meters from the surface.



Total lumen output:

3029 lm

Peak candela output:

10353 cd

PRODUCT NAME:

Mosaico FX100

MEASUREMENT CONDITIONS:

Beam angle:

Optic 30° LGBM

Target:

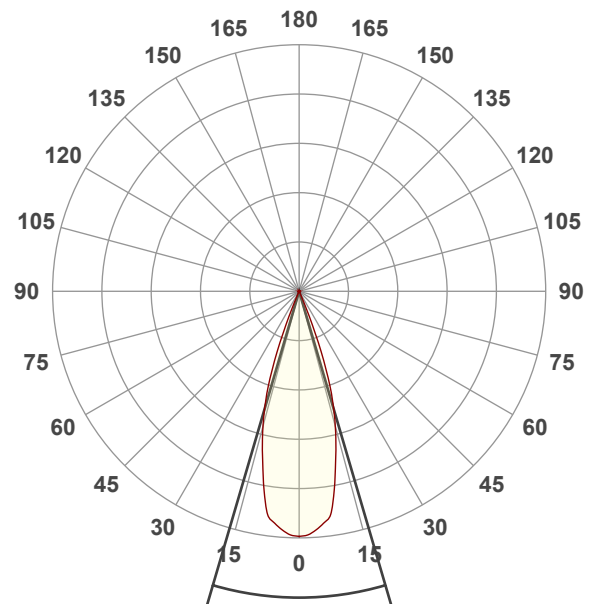
Full on

Operator:

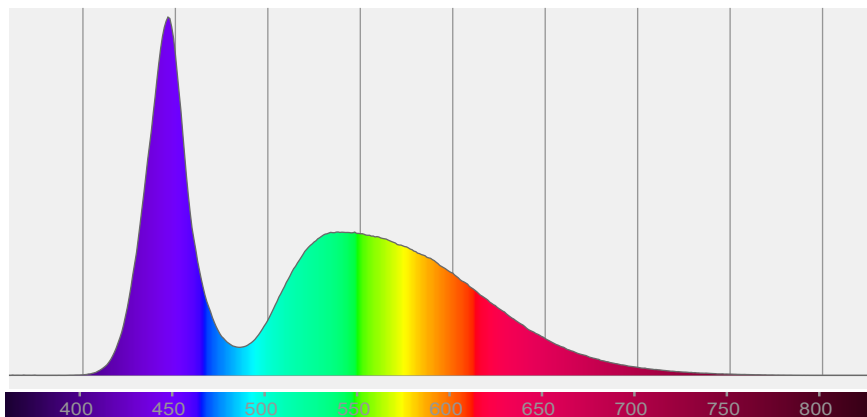
Salvatore Giglio

Date and time:

11/01/2023 12:16:32



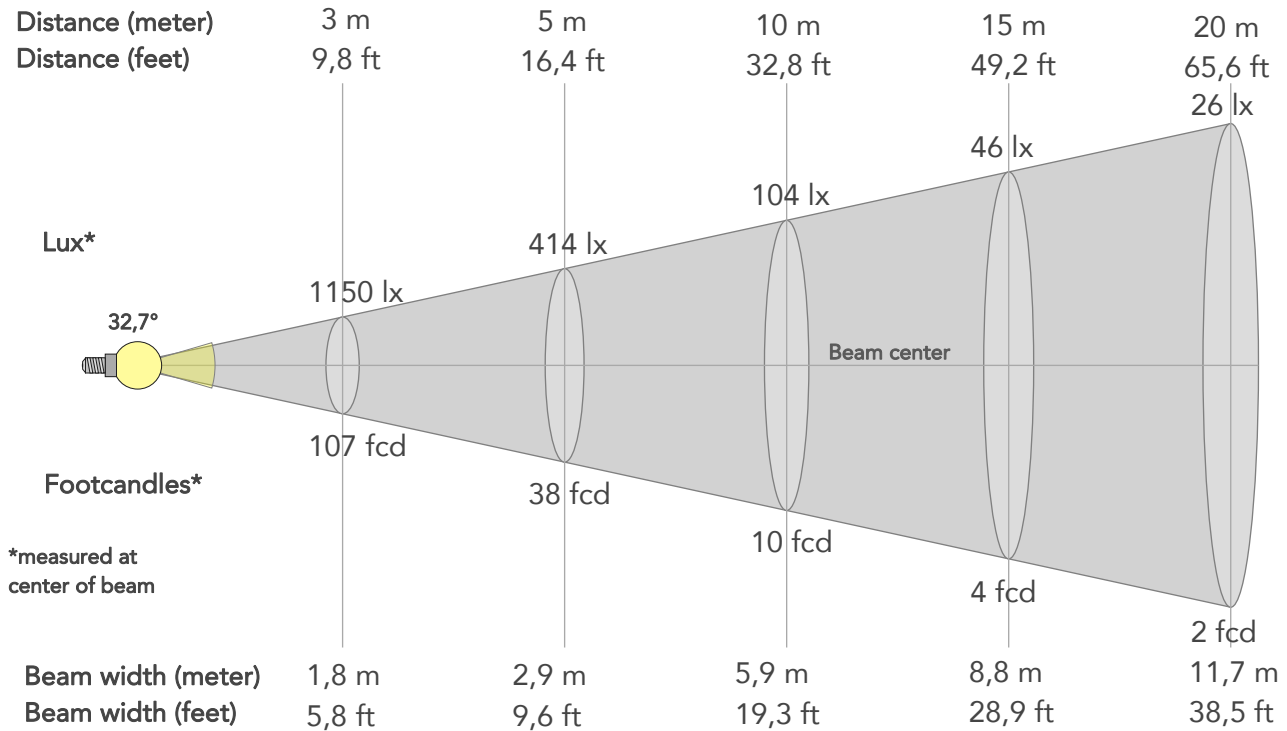
Spectra



BEAM DETAILS



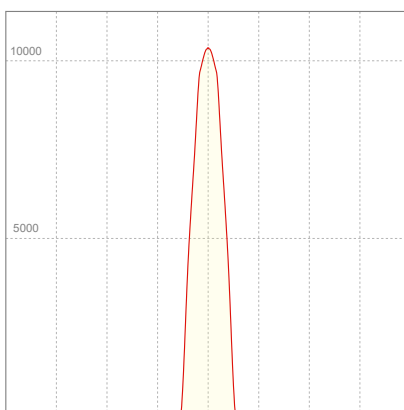
Beam angle 50%	Field angle 10%	Cut off angle 2,5%	Intensity ratio in 120° cone	Intensity ratio in 90° cone
32,7°	44,6°	47,5°	88,9%	88,8%



BEAM INTENSITIES AND WIDTHS

Distance	1m	2m	3m	4m	5m	7,5m	10m	15m	20m	25m	30m	40m	50m
Distance	3,3ft	6,6ft	9,8ft	13,1ft	16,4ft	24,6ft	32,8ft	49,2ft	65,6ft	82ft	98,4ft	131,2ft	164ft
Lux	10353lx	2588lx	1150lx	647lx	414lx	184lx	104lx	46lx	26lx	17lx	12lx	6lx	4lx
Footcand.	962fcd	240fcd	107fcd	60fcd	38fcd	17fcd	10fcd	4fcd	2fcd	2fcd	1fcd	1fcd	0fcd
Beam wid.	0,6m	1,2m	1,8m	2,3m	2,9m	4,4m	5,9m	8,8m	11,7m	14,7m	17,6m	23,5m	29,3m
Beam wid.	1,9ft	3,9ft	5,8ft	7,7ft	9,6ft	14,4ft	19,3ft	28,9ft	38,5ft	48,1ft	57,8ft	77ft	96,3ft

LINEAR DISTRIBUTION DIAGRAM

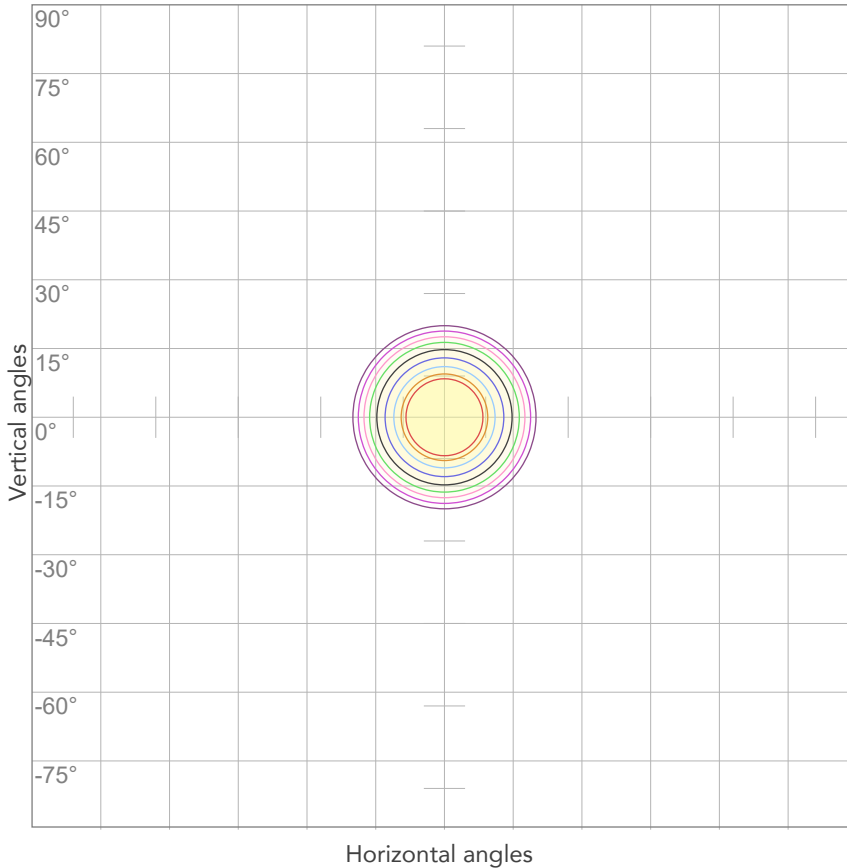


ELECTRICAL SPECIFICATIONS

Input voltage	Input current	Input power	Effeciency
226V	0,509A	109,6W	28lm/W

Power FC
0,96

ISO CANDELA DIAGRAM



10%	1035 cd
20%	2071 cd
30%	3106 cd
40%	4141 cd
50%	5176 cd
60%	6212 cd
70%	7247 cd
80%	8282 cd

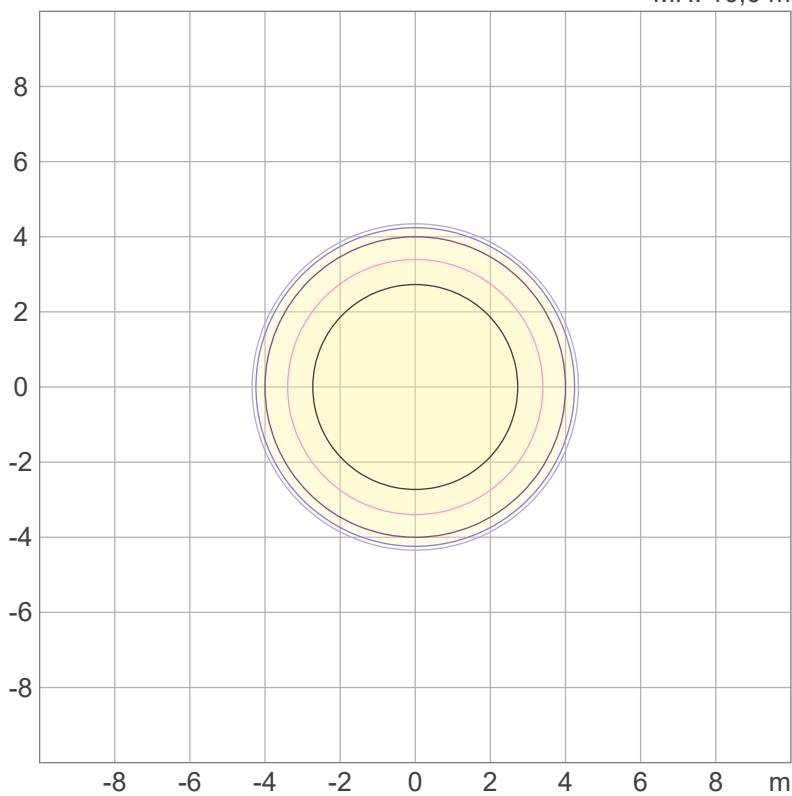
Conditions:

Number of c-planes: 2

Candela at center: 10353 cd

ISO LUX DIAGRAM

MH: 10,0 m



Mounting height: 10 meters (33 feet)

3%	3,11 lx
5%	5,18 lx
10%	10,4 lx
30%	31,1 lx
50%	51,8 lx

Conditions:

Number of c-planes: 2

Lux at center: 104 lx

Lux distribution on a surface when lamp is mounted at 10 meters from the surface.



Total lumen output:

2217 lm

Peak candela output:

4514 cd

PRODUCT NAME:

Mosaico FX100

MEASUREMENT CONDITIONS:

Beam angle:

Optic 50° LGBW

Target:

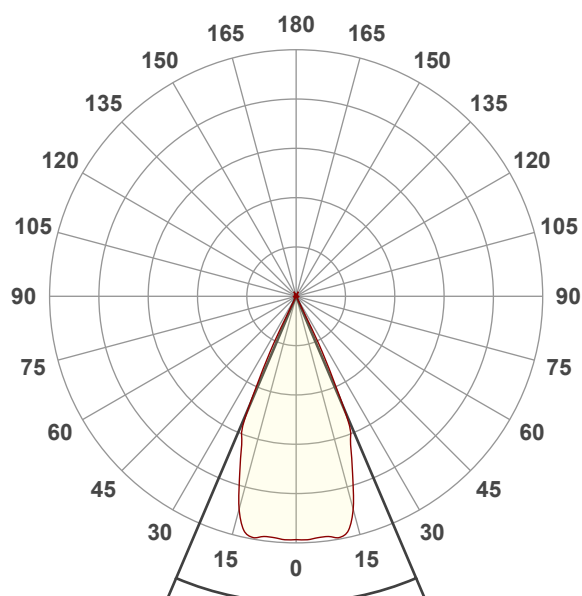
Full on

Operator:

Salvatore Giglio

Date and time:

11/01/2023 11:41:00

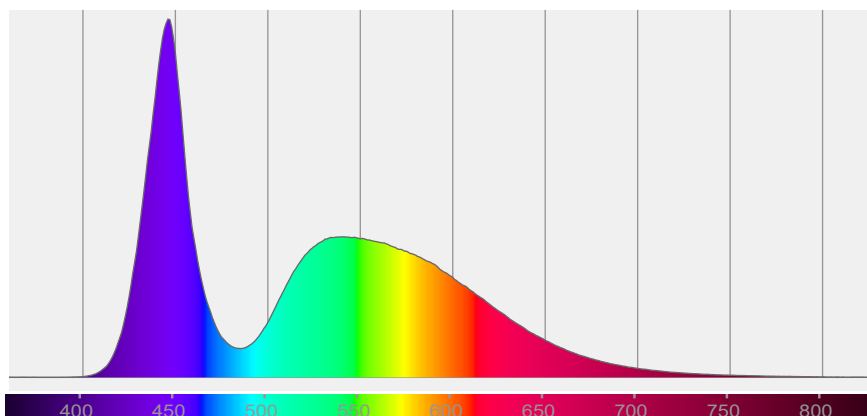


Beam angle 50%: 46,1°

Field angle 10%: 53,3°

Cut off angle 2.5%: 54,8°

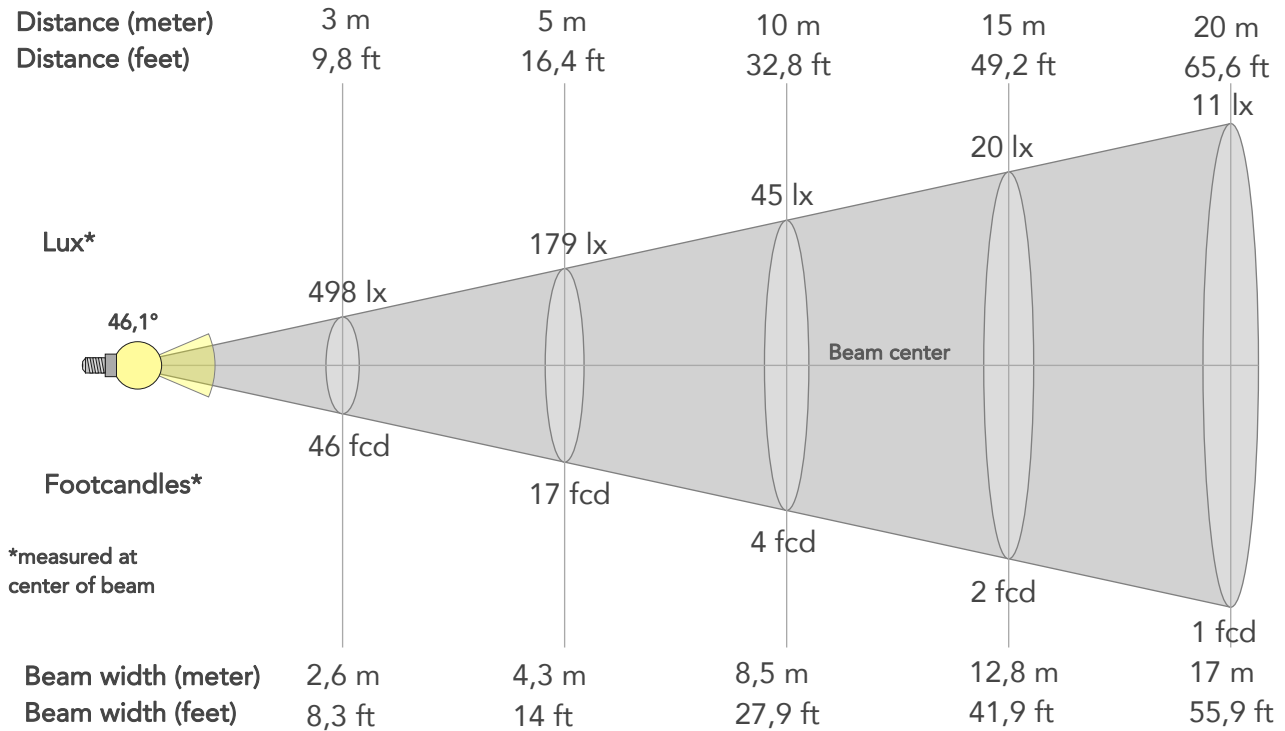
Spectra



BEAM DETAILS



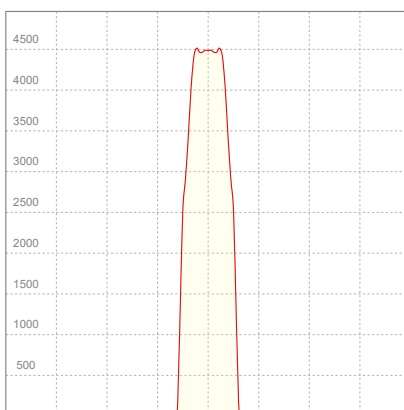
Beam angle 50%	Field angle 10%	Cut off angle 2,5%	Intensity ratio in 120° cone	Intensity ratio in 90° cone
46,1°	53,3°	54,8°	93,6%	93,1%



BEAM INTENSITIES AND WIDTHS

Distance	1m	2m	3m	4m	5m	7,5m	10m	15m	20m	25m	30m	40m	50m
Distance	3,3ft	6,6ft	9,8ft	13,1ft	16,4ft	24,6ft	32,8ft	49,2ft	65,6ft	82ft	98,4ft	131,2ft	164ft
Lux	4483lx	1121lx	498lx	280lx	179lx	80lx	45lx	20lx	11lx	7lx	5lx	3lx	2lx
Footcand.	416fcd	104fcd	46fcd	26fcd	17fcd	7fcd	4fcd	2fcd	1fcd	1fcd	0fcd	0fcd	0fcd
Beam wid.	0,9m	1,7m	2,6m	3,4m	4,3m	6,4m	8,5m	12,8m	17m	21,3m	25,5m	34,1m	42,6m
Beam wid.	2,8ft	5,6ft	8,3ft	11,2ft	14ft	20,9ft	27,9ft	41,9ft	55,9ft	69,8ft	83,8ft	111,7ft	139,7ft

LINEAR DISTRIBUTION DIAGRAM

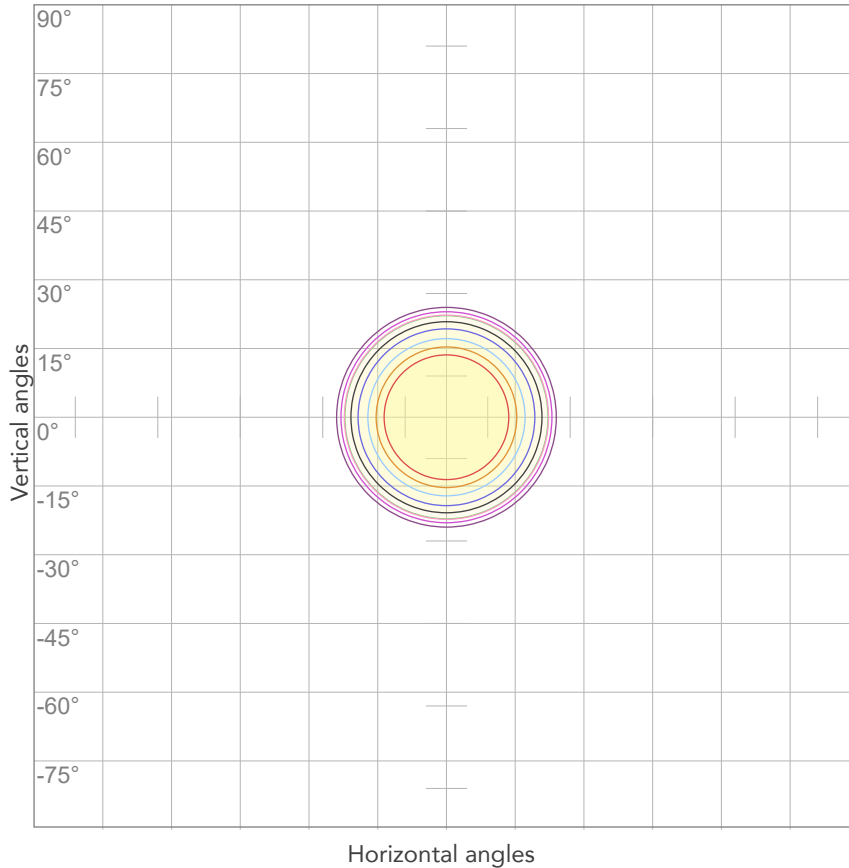


ELECTRICAL SPECIFICATIONS

Input voltage	Input current	Input power	Effeciency
224V	0,506A	108,5W	20lm/W

Power FC
0,96

ISO CANDELA DIAGRAM



10%	448 cd
20%	897 cd
30%	1345 cd
40%	1793 cd
50%	2241 cd
60%	2690 cd
70%	3138 cd
80%	3586 cd

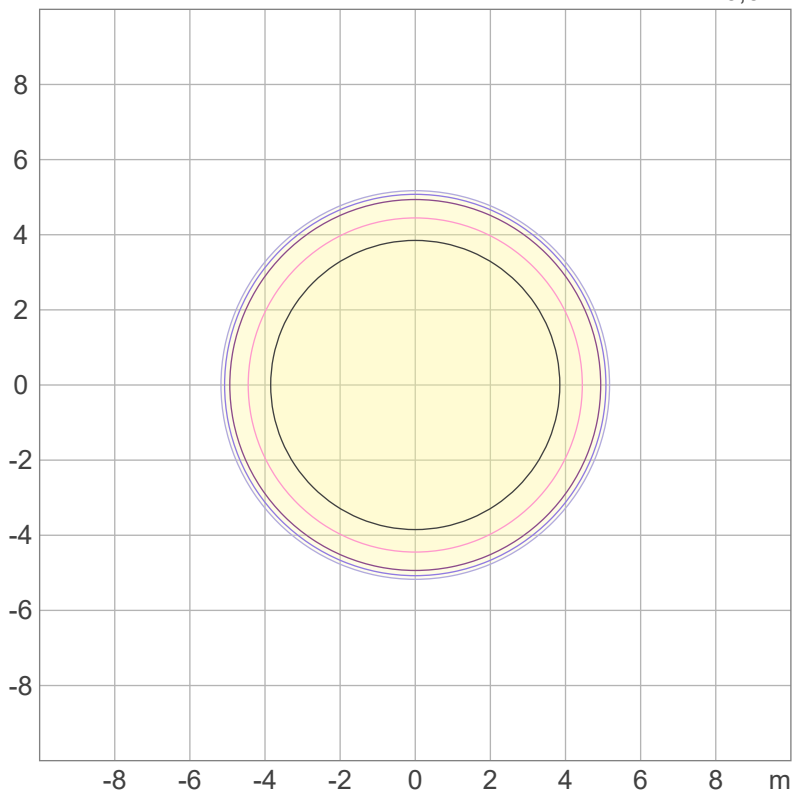
Conditions:

Number of c-planes: 2

Candela at center: 4483 cd

ISO LUX DIAGRAM

MH: 10,0 m



Mounting height: 10 meters (33 feet)

3%	1,34 lx
5%	2,24 lx
10%	4,48 lx
30%	13,4 lx
50%	22,4 lx

Conditions:

Number of c-planes: 2

Lux at center: 44,8 lx

Lux distribution on a surface when lamp is mounted at 10 meters from the surface.