



Astera's LeoFresnel is as an exceptional solution for film, studio, and event lighting. LeoFresnel boasts an impressive output comparable to a traditional 1000W Tungsten Fresnel. With a beam angle of 15° to 60° without color fringing, wireless and wired DMX control, these lights offer impressive performance while consuming only 250W. Easy to mount and adjust with removable handles and YokeBases, they enhance creativity and productivity on any set.



Max 20h



Wireless DMX



IP55



App

FEATURES

Built-in battery 2 hours on MAX Runtime

Built-in battery for 2 hours on MAX Runtime.



External Battery Option

Connect one or two RuntimeExtenders with V-Mount or Gold Mount battery for additional Runtime. One 14.4 V battery can operate the light on reduced power. A single 26V battery or two 14.4V batteries allow full power output.



Removable Lens

Slide out Barndoor and Lens to create an Open Source fixture.



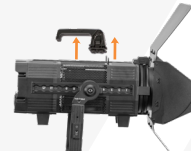
Yoke Quick-Release

The light can easily be taken out of its Yoke.



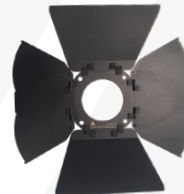
Removable Handle

TrackHandle can be removed or inserted into the Airline Tracks.



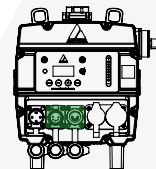
Barndoor

The Barndoor contains a total of 8 leaves, 4 of them can be slid out if needed.



Wired DMX

The included XLR in+out sockets allow easy DMX wiring.



SPECIFICATIONS

	LeoFresnel
Order Code	AF250
LED Engine	Titan LED Engine
Colors	RGBMintAmber
Total LED Power	350 W
LED Power Draw	250 W
CRI (Ra)/ TLCI 3200- 6500 K*	≥96
Beam Angle	15° - 60°
Strobe	0 - 25 Hertz
Pixels	1
Battery Runtime	up to 20 hours
Battery Runtime (max. Brightness)	2 h
Battery Lifetime	80 % after 400 cycles
DC Input	12 - 48 VDC; max. 15A
DC Connector	3pin XLR (Pin 1:- Pin 2:+)
AC Input	100 - 240 VAC, 50/60 Hertz, 3.8 A, 250 W
AC Connector	PowerCON TRUE1 Input/Output
Wired DMX	Yes (5-pin XLR)
CRMX Receiver	Built-in
BluetoothBridge BTB	Built-in
Wireless Protocols	CRMX, UHF, Bluetooth, WIFI, RDM
Wireless Range	CRMX/UHF up to 300 m / 330 yds Bluetooth up to 3 m / 3.3 yds
Infrared Control	Yes
TouchSlider	Yes
Housing Material	Polymer & Metal
IP Rating unwired	IP55
IP Rating wired	IP55
Ambient Operating Temperature	0 - 40 °C / 32 - 104 °F
Weight (with AF250-FL, AF250-BD)	13.83 kg / 30.48 lbs
Weight (with AF250-FL, AF250-BD, AF250-YK, 2x AF250-YKB)	16.32 kg / 35.99 lbs
Dimensions L x W x D	455 mm x 215 mm x 240 mm / 17.91" x 8.46" x 9.45"
Dimensions L x W x H (with AF250-YK, 2x AF250-YKB, AX-TVMP, AX-THD)	455 mm x 371 mm x 545 mm / 17.91" x 14.61" x 21.46"
Mounting Options	AirlineTracks, Yoke with 2x BrickMount (PB15-BMO) and 1/2" mounting hole

*Typical value

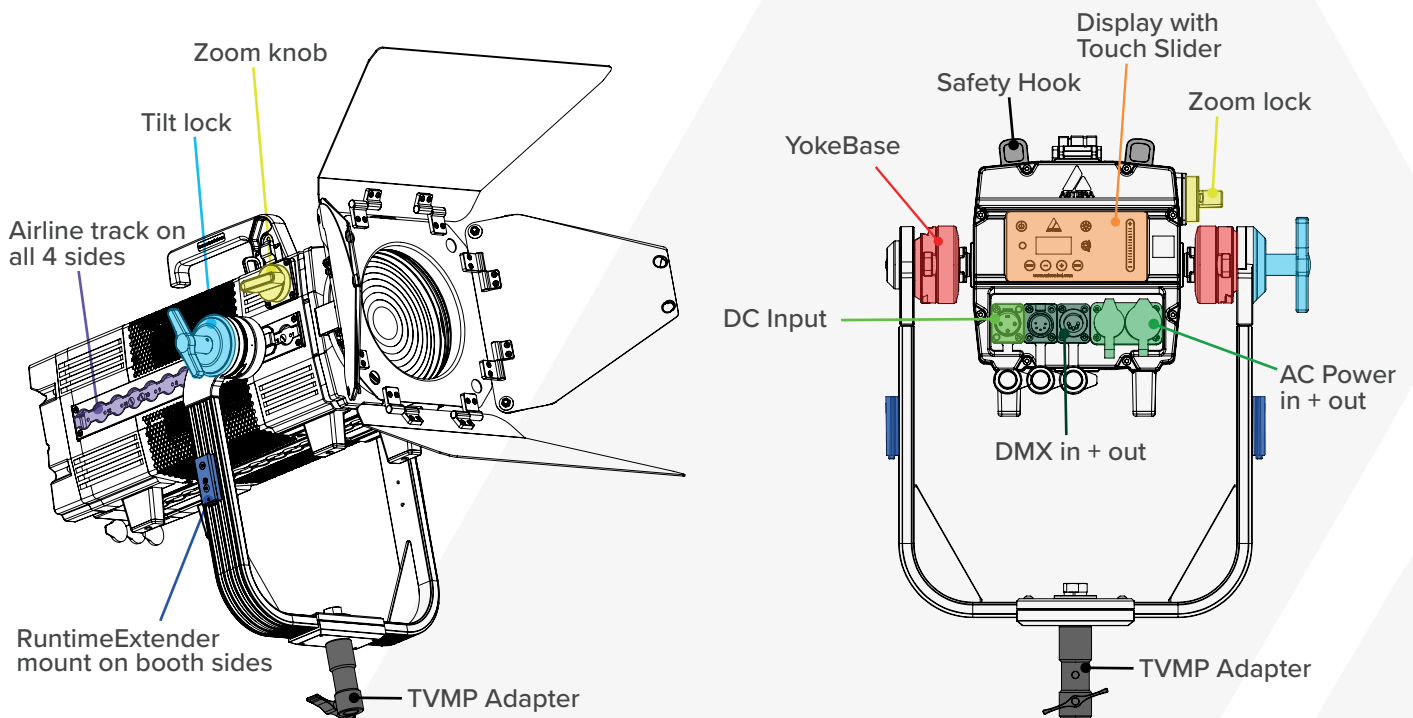
RF CHARACTERISTICS

Wireless Modules	EU: UHF*** (863-870MHz)	USA: UHF (917-922.20MHz)	AUS: UHF (922.30-927.50MHz)	SGP: UHF (920.50-924.50MHz)	KOR: UHF (917.9-921.5MHz)
Modulation	FHSS	FHSS	FHSS	FHSS	FHSS
ERP (Transmitter)	<25mW	<25mW	<25mW	<25mW	<25mW
Channel Count	47	53	53	41	10

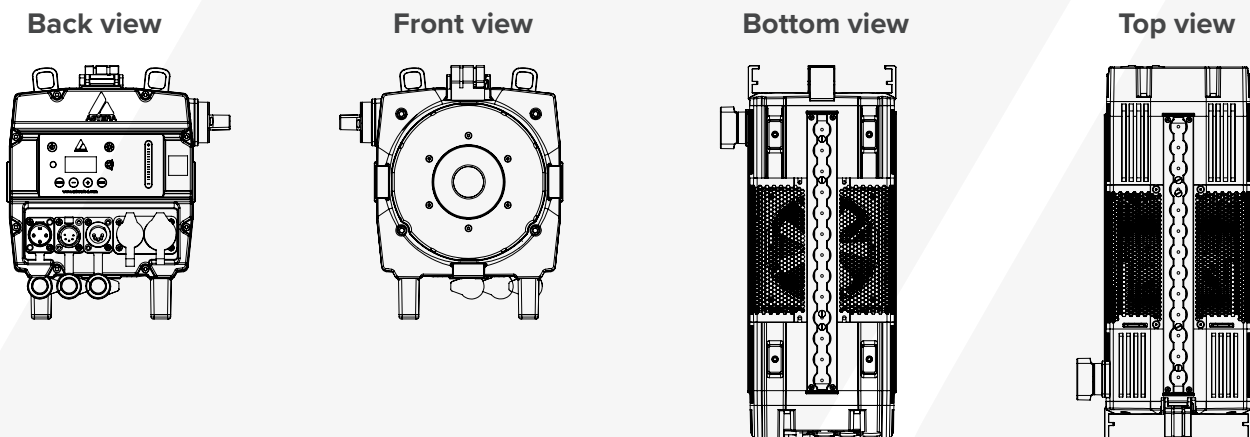
Wireless Modules	RUS: UHF (868.75-869.12MHz)	JPN: UHF (922.80-926.40MHz)	CRMX (2402-2480MHz)	Bluetooth 5.0 LE (2402-2480MHz)	WiFi (2412-2472MHz)
Modulation	FHSS	FHSS	FHSS	FHSS	DSSS, OFDM
ERP (Transmitter)	<25mW	<25mW	-	10mW (BLE)	<100mW
Channel Count	6	19	79	40	13

***General allocation of frequencies for use by short-range radio applications

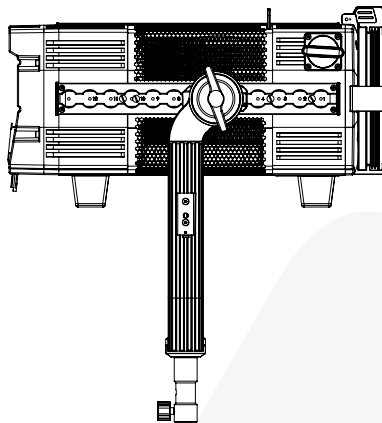
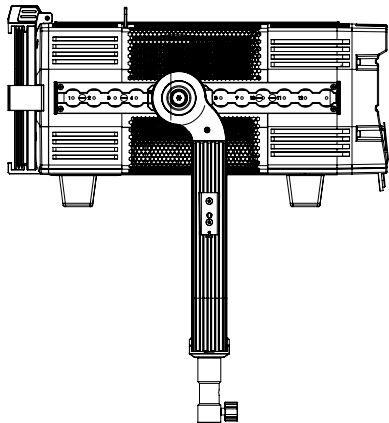
BUILT-IN FEATURES



DRAWINGS WITHOUT ACCESSORIES



DRAWINGS WITH ACCESSORIES



INCLUDED ACCESSORIES



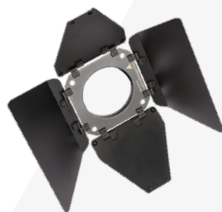
Yoke
AF250-YK



YokeBase
AF250-YKB



Fresne Lens
AF250-FL



Barndoor
AF250-BD



TrackHandle
AX-THD



**Rabbit-Rounder
Adapter**
AF250-RRA

OPTIONAL ACCESSORIES

RuntimeExtender
REX1-VM
REX1-GM



V-Mount Gold Mount

Y-Cable
Connect 2 RuntimeExtenders
to 1 light
AF250-XY



Projection Lens
Coming late 2023



Charging Case (empty)
AF250-CSE



LeoFresnel Kit
AF250-KIT



- 1x LeoFresnel (AF250)
- 1x Fresnel Lens (AF250-FL)
- 1x Barndoor (AF250-BD)
- 1x Yoke (AF250-YK)
- 2x YokeBase (AF250-YKB)
- 1x TVMB Adapter (AX-TVMB)
- 1x TrackHandle (AX-THD)
- 1x Rabbit-Rounder Adapter (AF250-RRA)
- 1x Powercon True1 Cable
- 1x Case (AF250-CSE)

DOPCHOICE ACCESSORIES

Lantern Medium
SBRRUDM



Lantern Small
SBRRUSS

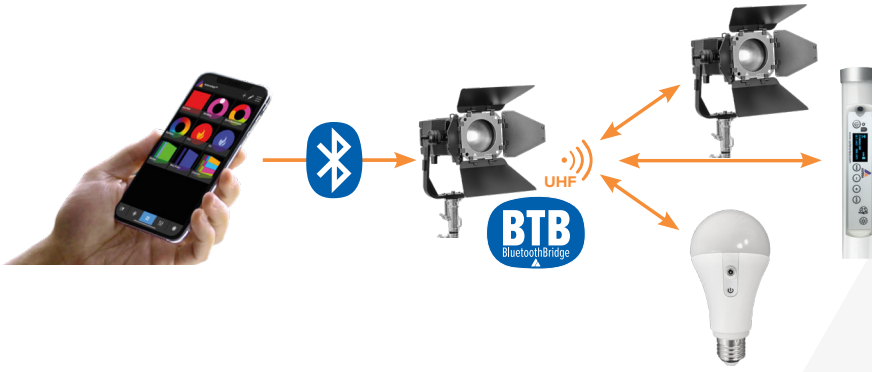


Octa 5
SBRRUO5

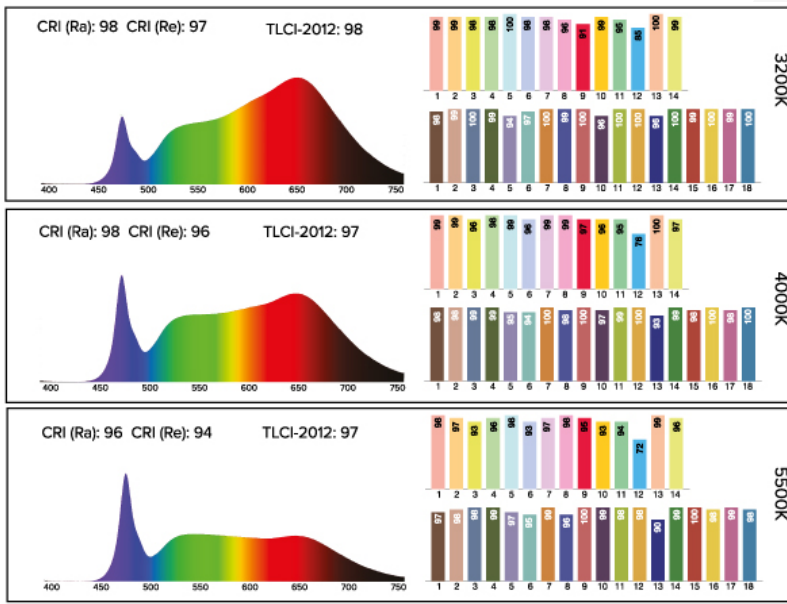


LEOFRESNEL AS BLUETOOTH BRIDGE

Connect the App directly to a LeoFresnel via Bluetooth. This light will then transmit commands from the AsteraApp to all other LeoFresnels and other Astera lights via the UHF band.



TYPICAL SPECTRAS



*Typical values