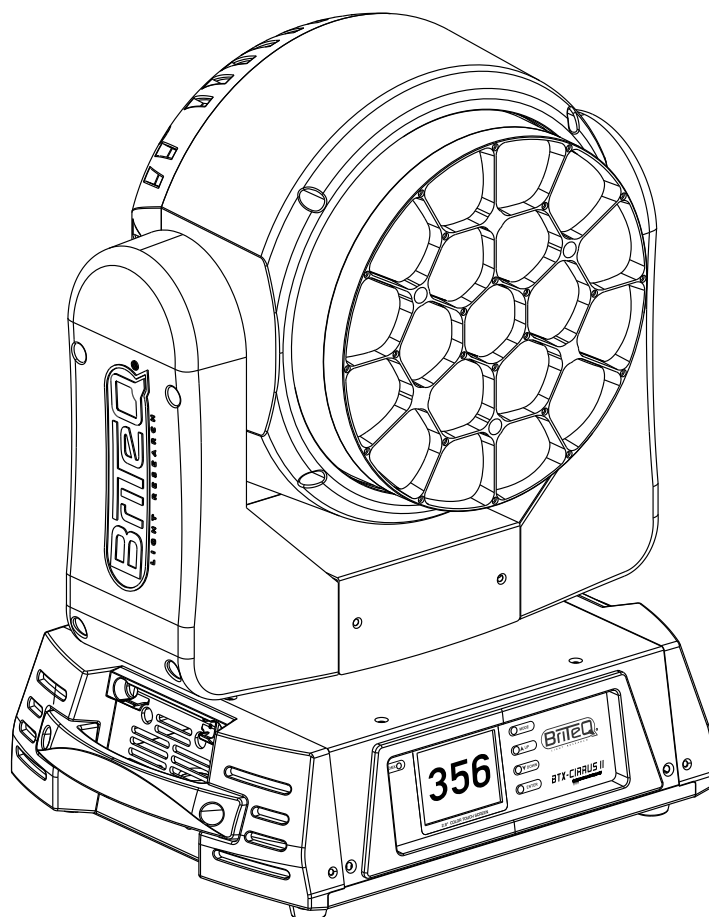


BTX-CIRRUS II



ENGLISH

Operation Manual

Other languages can be downloaded from:
WWW.BRITEQ-LIGHTING.COM



Version: 1.1





EN - DISPOSAL OF THE DEVICE

Dispose of the unit and used batteries in an environment friendly manner according to your country regulations.

FR - DÉCLASSER L'APPAREIL

Débarrassez-vous de l'appareil et des piles usagées de manière écologique Conformément aux dispositions légales de votre pays.

NL - VERWIJDEREN VAN HET APPARAAT

Verwijder het toestel en de gebruikte batterijen op een milieuvriendelijke manier conform de in uw land geldende voorschriften.

DU - ENTSORGUNG DES GERÄTS

Entsorgen Sie das Gerät und die Batterien auf umweltfreundliche Art und Weise gemäß den Vorschriften Ihres Landes.

ES - DESHACERSE DEL APARATO

Reciclar el aparato y pilas usadas de forma ecologica conforme a las disposiciones legales de su país.

PT - COMO DESFAZER-SE DA UNIDADE

Tente reciclar a unidade e as pilhas usadas respeitando o ambiente e em conformidade com as normas vigentes no seu país.

OPERATION MANUAL

Thank you for buying this Briteq® product. To take full advantage of all possibilities and for your own safety, please read these operating instructions very carefully before you start using this unit.

FEATURES

- Extremely powerful moving wash equipped with 19 Osram 30W RGBW Leds
- Linear zoom from 4° to 60°
- Exceptional light output (full on):
 - 25'500 lux @ 5m (4°)
 - 980 lux @ 5m (60°)
- Max lumen output: 20600 lm
- Full pixel mapping with 16bit dimming.
- Quiet overall operation, perfect for bigger theatres, stages, rental...
- New super silent MOONS® motors for smooth and inaudible zooming performance!
- Battery backup: settings can be made without connecting the unit to the mains
- 6 DMX modes: from 20 to 96 Channels
- The 3-Phase MOONS® stepper motors assure very fast PAN/TILT movements with 8 or 16bit precision.
- 2.8" Color touch screen with automatic display rotation for easy and intuitive menu navigation
- Easy firmware updates keep your machine up-to-date at all times (optional firmware updater, code: 4389)
- Neutrik 3pin & 5pin XLR® in/outputs for maximum flexibility in a professional environment
- Neutrik PowerCON® TRUE-1 in/outputs: up to 16A can be daisy chained for easy installation
- Equipped with omega brackets for fast installation.

BEFORE USE

- Before you start using this unit, please check if there's no transportation damage. Should there be any, do not use the device and consult your dealer first.
- **Important:** This device left our factory in perfect condition and well packaged. It is absolutely necessary for the user to strictly follow the safety instructions and warnings in this user manual. Any damage caused by mishandling is not subject to warranty. The dealer will not accept responsibility for any resulting defects or problems caused by disregarding this user manual.
- Keep this booklet in a safe place for future consultation. If you sell the fixture, be sure to add this user manual.

Check the contents:

Check that the carton contains the following items:

- BTX-CIRRUS II
- 2pcs Quick lock "Omega bracket"
- PowerCON® TRUE-1 cable
- Safety cable
- Operating instructions

SAFETY INSTRUCTIONS



CAUTION
RISK OF ELECTRIC SHOCK
DO NOT OPEN



CAUTION: To reduce the risk of electric shock, do not remove the top cover. No user-serviceable parts inside. Refer servicing to qualified service personnel only.



The lightning flash with arrowhead symbol within the equilateral triangle is intended to alert the user to the presence of un-insulated "dangerous voltage" within the product's enclosure that may be of sufficient magnitude to constitute a risk of electric shock.



The exclamation point within the equilateral triangle is intended to alert the user to the presence of important operation and maintenance (servicing) instructions in the literature accompanying this appliance.



This symbol means: indoor use only



This symbol means: Read instructions



This symbol determines: the minimum distance from lighted objects. The minimum distance between light-output and the illuminated surface must be more than 0.2 meters

RISK GROUP 2
CAUTION:
Do not stare at operating lamp

CAUTION: Do not stare at operating lamp. May be harmful to the eyes.

- To protect the environment, please try to recycle the packing material as much as possible.
- A new light effect sometimes causes some unwanted smoke and/or smell. This is normal and disappears after some minutes.
- To prevent fire or shock hazard, do not expose this appliance to rain or moisture.
- To avoid condensation to be formed inside, allow the unit to adapt to the surrounding temperatures when bringing it into a warm room after transport. Condense sometimes prevents the unit from working at full performance or may even cause damages.
- This unit is for indoor use only.
- Don't place metal objects or spill liquid inside the unit. Electric shock or malfunction may result. If a foreign object enters the unit, immediately disconnect the mains power.
- Locate the fixture in a well ventilated spot, away from any flammable materials and/or liquids. The fixture must be fixed at least 20cm from surrounding walls.
- Don't cover any ventilation openings as this may result in overheating.
- Prevent use in dusty environments and clean the unit regularly.
- Keep the unit away from children.
- Inexperienced persons should not operate this device.
- Maximum safe ambient temperature is 40°C. Don't use this unit at higher ambient temperatures.
- The units' surface temperature may reach up to 85°C. Don't touch the housing with bare hands during its operation.
- Make sure the area below the installation place is free from unwanted persons during rigging, de-rigging and servicing.
- Allow the device about 10 minutes to cool down before replacing the bulb or start servicing.
- Always unplug the unit when it is not used for a longer time or before replacing the bulb or start servicing.
- The electrical installation should be carried out by qualified personal only, according to the regulations for electrical and mechanical safety in your country.
- Check that the available voltage is not higher than the one stated on the rear panel of the unit.
- The power cord should always be in perfect condition. Switch the unit immediately off when the power cord is squashed or damaged. It must be replaced by the manufacturer, its service agent or similarly qualified persons in order to avoid a hazard.
- Never let the power-cord come into contact with other cables!
- This fixture must be earthed in order to comply with safety regulations.
- Don't connect the unit to any dimmer pack.
- Always use an appropriate and certified safety cable when installing the unit.
- In order to prevent electric shock, do not open the cover. Apart from the lamp and mains fuse there are no user serviceable parts inside.
- Never repair a fuse or bypass the fuse holder. Always replace a damaged fuse with a fuse of the same type and electrical specifications!
- In the event of serious operating problems, stop using the fixture and contact your dealer immediately.
- The housing and the lenses must be replaced if they are visibly damaged.
- Please use the original packing when the device is to be transported.
- Due to safety reasons it is prohibited to make unauthorized modifications to the unit.

Important: Never look directly into the light source! Don't use the effect in the presence of persons suffering from epilepsy.

DESCRIPTION:

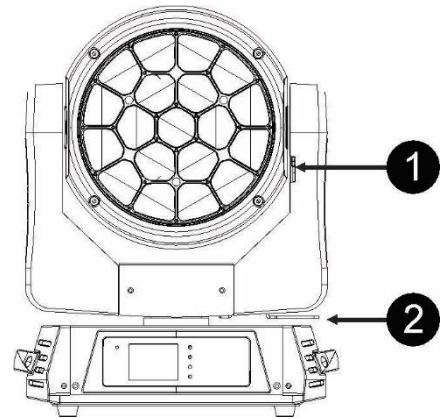
DEVICE:

1. TILT locking handle
2. PAN locking handle

Pan and Tilt mechanism can be locked every 45°

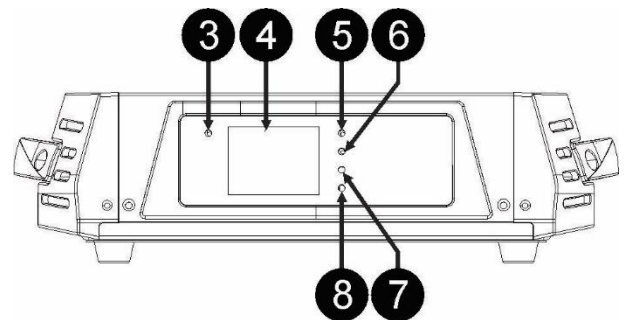
IMPORTANT:

The head and arm must be unlocked before operation!



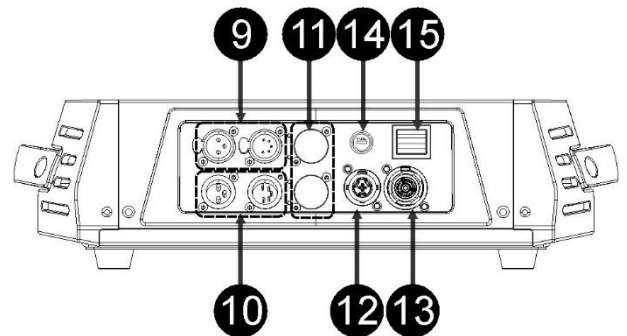
CONTROL PANEL:

3. STATUS led
4. LCD Touchscreen display
5. MODE button
6. ▲ / UP button
7. ▼ / DOWN button
8. ENTER button



REAR PANEL:

9. DMX XLR output (3pin + 5pin)
10. DMX XLR input (3pin + 5pin)
11. Spare holes for future optional features
12. PowerCon® TRUE1 Input
13. PowerCon® TRUE1 Output
14. Mains fuse
15. Power switch



Hint: Please check our website for special cable assemblies that contain both power (3x1.5mm² with Neutrik PowerCON® TRUE-1) and balanced signal (XLR 3pin or 5pin) in one cable. Different lengths are available: 1.5m, 3m and 5m, very convenient!

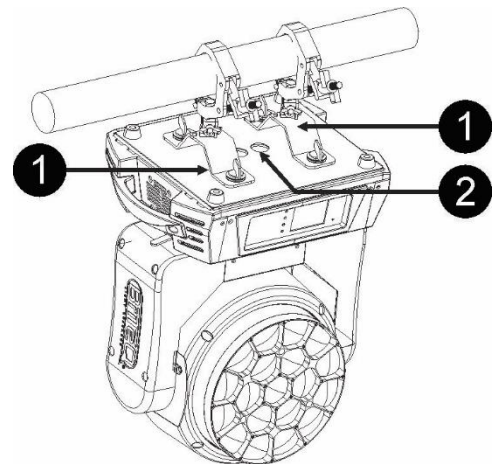
OVERHEAD RIGGING

- **Important:** The installation must be carried out by qualified service personal only. Improper installation can result in serious injuries and/or damage to property. Overhead rigging requires extensive experience! Working load limits should be respected, certified installation materials should be used, the installed device should be inspected regularly for safety.
- Make sure the area below the installation place is free from unwanted persons during rigging, de-rigging and servicing.
- Locate the fixture in a well ventilated spot, far away from any flammable materials and/or liquids. The fixture must be fixed **at least 50cm** from surrounding walls.
- The device should be installed out of reach of people and outside areas where persons may walk by or be seated.
- Before rigging make sure that the installation area can hold a minimum point load of 10times the device's weight.
- Always use a certified safety cable that can hold 12 times the weight of the device when installing the unit. This secondary safety attachment should be installed in a way that no part of the installation can drop more than 20cm if the main attachment fails.
- The device should be well fixed; a free-swinging mounting is dangerous and may not be considered!
- Don't cover any ventilation openings as this may result in overheating.

- The operator has to make sure that the safety-relating and machine-technical installations are approved by an expert before using them for the first time. The installations should be inspected every year by a skilled person to be sure that safety is still optimal.

Installation:

- Fix the Truss hooks (1) to the Omega clamps with screw and locking nut.
- Fasten the omega clamps (2) on the bottom of the base by inserting quick-lock fasteners (3) into the holes of the base and tighten fully clockwise. (you should hear or feel a 'click')



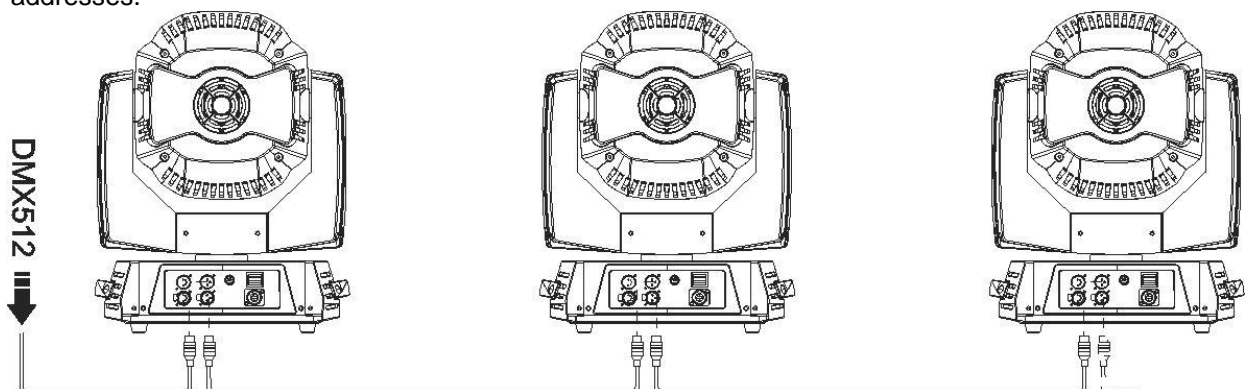
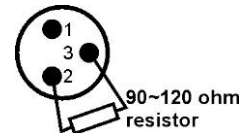
1 = Omega Clamps
2 = Holes for Safety cable

ELECTRICAL INSTALLATION + ADDRESSING

⚠ Important: The electrical installation should be carried out by qualified personal only, according to the regulations for electrical and mechanical safety in your country.

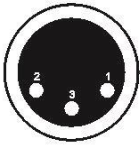
Electrical installation for two or more units in DMX-mode:

- The DMX-protocol is a widely used high speed signal to control intelligent light equipment. You need to "daisy chain" your DMX controller and all the connected units with a good quality balanced cable.
- Both XLR-3pin and XLR-5pin connectors are used, however XLR-3pin is more popular because these cables are compatible with balanced audio cables.
Pin layout XLR-3pin: Pin1 = GND ~ Pin2 = Negative signal (-) ~ Pin3 = Positive signal (+)
Pin layout XLR-5pin: Pin1 = GND ~ Pin2 = Negative signal (-) ~ Pin3 = Positive signal (+) ~ Pins4+5 not used.
- To prevent strange behavior on the DMX units, due to interferences, you must use a 90Ω to 120Ω terminator at the end of the chain. Never use Y-splitter cables, this simply won't work!
- Make sure that all units are connected to the mains.
- Each unit in the chain needs to have its proper starting address so it knows which commands from the controller it has to decode. In the next section you will learn how to set the DMX addresses.

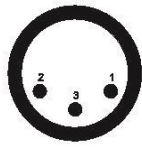


Wiring of the DMX connectors:

DMX output
3-pin XLR socket

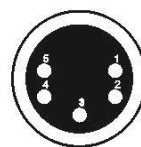


DMX input
3-pin XLR socket

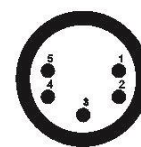


1: Ground
2: Signal (-)
3: Signal (+)

DMX output
5-pin XLR socket



DMX input
5-pin XLR socket



1: Ground
2: Signal (-)
3: Signal (+)
4: N. A.
5: N. A.

OPERATING INSTRUCTIONS

- In the event of serious operating problems, stop using the fixture and contact your dealer immediately.
- **Important:** Never look directly into the light source! Don't use the effect in the presence of persons suffering from epilepsy.

MENU

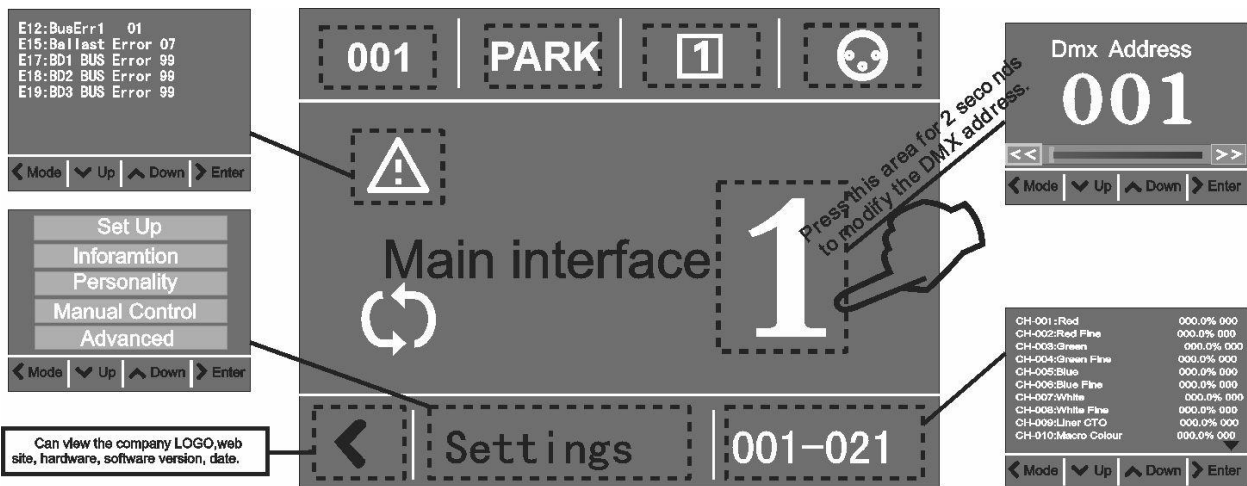
You can use the buttons or touch screen to navigate the setup menu with its different sub menus etc. You can easily change settings like DMX address, different functions etc.

- Use the [UP / DOWN] buttons to navigate the menu and change the values of the selected functions.
- Each time you select a menu item or change a setting you must press the [ENTER] button to confirm.
- Press the [MODE] button to return to the (previous) menu.

The logo is used to check the status of the DMX connection. When the logo is green, the dmx connection between the unit and the controller is OK.

TOUCHSCREEN – MAIN INTERFACE LAYOUT:

When the unit is switched on, the display shows the BriteQ logo, followed by the main interface as shown below. The main interface is split up in different parts (icons). You can press these icons, which are in fact shortcuts, to immediately access different parts of the setup menu (see drawing).



!!! IMPORTANT !!!

PARK FUNCTION

To avoid damage to the zooming mechanism you **MUST** press the “PARK” function on the touch display to retract the zooming mechanism. This action protects the mechanism during transport!

FIXTURE ID

The Fixture id (ranging from 0001 to 9999) makes installation easier because each product can be identified by a unique number. With the internal battery, no need to plug the power to set or read the fixture id. To change the fixture id a password is needed: the password is “1702”.


CHANNEL MODE

Set the channel mode of BriteQ BTX-CIRRUS:

- **Standard:** 20 Channels
- **Shapes:** 29 Channels
- **Extended:** 77 Channels
- **Extended RGBW:** 96 Channels
- **Full :** 86 Channels
- **Extended Dimmer:** 48 Channels

DMX INPUT 

 **is green:** received DMX-signal is OK.

 **is red and lcd is blinking:** received DMX-signal is NOT OK or NO DMX-signal received.

Used to set the desired input for the DMX signal:

- **Wired Input:** XLR (3 or 5pin) input is used.


DMX ADDRESS

Set the DMX address by pressing the center of the screen at least 2 seconds (yellow progress bar appears on the screen) and DMX Address panel appears. DMX address can be modified with the slider on the touch screen or with the “+” and “-“ button. The “>>” icon sets the last valid DMX address, according to the selected channel mode. The “<<” sets the address to 1. Confirm the DMX address by pressing ENTER. The main page is now updated, and the DMX range used by the product is on the right down corner of the screen.

CHANNEL LIST

Pressing on the DMX address range xxx-xxx on the main screen shows the DMX-chart according to the selected channel mode.

ERROR MESSAGES 

Press the -ICON: a list of error messages will appear. Please check the list of error codes at the end of the user manual.

CODE	ERRO INFO	TO CHECK
E02	Program Err 1	Check the welding of the chip
E04	MBDInit Error	Check the communication signal 485 & 485 chip & memory
E05	BD1Init Error	Check main cable ABAB 485 chip
E06	BD2Init Error	
E12	BUS1 Error	Check main cable ABAB 485 chip
E16	MFpga Error	Check the communication signal & welding of the communication chip
E17	BD1 BUS Error	
E18	BD2 BUS Error	
E21	Pan FB. Err	Check the light coupling line, optical coupling switch and the plate of the relative position measurement
E23	Tilt FB. Err	
E22	Pan Zero Error	Check cable of the sensor, distance and location of the magnets and sensor
E24	Tilt Zero Error	
E36	Zoom RT.	
E46	N.Fan Error	Check the fan in the head

SETTING MENU

Press [Settings] on the display to open the setup menu. Use the [UP/DOWN], [MODE] and [ENTER] buttons to navigate.

LEVEL 1	LEVEL 2	LEVEL 3	REMARKS	
Set up	DMX Address	Universe		
		DMX Address 001~XXX		
	Channel Mode	STANDARD	1~20	default Mode1
		SHAPES	1~29	
		EXTENDED	1~77	
		EXTENDED RGBW	1~96	
		FULL	1~86	
		EXTENDED DIMMER	1~48	
Blackout Mode	Freeze (default)		keeps last valid DMX value before signal failure	
	Blackout		all channels return to 000 when no DMX signal	
Fixture Id	0001~XXXX		Lamp address	
Fixture Times	XXXXX h XX m		Total working hours	
Information	LED Timeshare	LED On Times XXXXh XXm	Lamp Strike	
		Reset LED Time	Reset Lamp Time	
	Error List		Error details	
	Diagnosis	BOARD 1: XX.XX%	Diagnosis	
		BOARD 2: XX.XX%		
	DMX Values		DMX Values	
	Fans Monitor		Fan Values	
Personality	Pan/Tilt	Pan Reverse ON/OFF	Pan Reverse (default OFF)	
		Tilt Reverse ON/OFF	Tilt Reverse (default OFF)	
		Feedback ON/OFF	Pan/Tilt Auto Switch (default ON)	
		Blackout P/T Moving ON/OFF	Move in black (default OFF)	
	Dimmer	Dimmer Curve	Linear, Square, Inv. Square or S-Curve	
		Dimmer Speed	Choice between Fast and Smooth	
	Dmx Input	Wired Input	Wired Input (default)	
		Wireless Input	Wireless Input	
		Wireless In/XLR out	Wireless In/XLR out	
	Screen	Brightness	Brightness	
		Screen Time out 0-10m	Screen Time out	
		Touch Screen ON/OFF	Touch Screen (default ON)	
		Auto Screen ON/OFF	Auto Screen (default ON)	
	Fan Mode	Auto		
		High		
		Silence mode	Slower fan speed, light output limited to 80 %	
Manual Control	Reset	Reset ALL		
		Reset Pan/Tilt		
		Reset Other		
	Channel	All channels can be tested individually		
Test	Automatic test of RGBW, dimmer, strobe, pan/tilt, zoom. The values of the automatic test are also transmitted to the DMX output.			
Advanced Control	Calibration		Channel Adjusting	
	Factory Default		Reset to original parameters	
	Touch Calibration		Touch screen adjust	

SET UP > DMX ADDRESS

Set the DMX address by pressing the center of the screen at least 2 seconds (yellow progress bar appears on the screen) and DMX Address panel appears. DMX address can be modified with the slider on the touch screen or with the "+" and "-" button. The ">>" icon set the last DMX address possible according to the selected channel mode. The "<<" set the address to 1. Set the DMX address by pressing enter. The main page is now updated, and the DMX range used by the product is on the right down corner of the screen.

SET UP > CHANNEL MODE

Set the channel mode of BriteQ BTX-CIRRUS:

- **1. Standard:** 20 Channels
- **2. Shapes:** 29 Channels
- **3. Extended:** 77 Channels
- **4. Extended RGBW:** 96 Channels
- **5. Full :** 86 Channels
- **6. Extended Dimmer:** 48 Channels

SET UP > FIXTURE ID

The Fixture id (ranging from 0001 to 9999) makes installation easier because each product can be identified by a unique number. With the internal battery, no need to plug the power to set or read the fixture id. To change the fixture id a password is needed: the password is "1702".

INFORMATION > FIXTURE TIMES

Shows the operation time (in hours) since it first start.

INFORMATION > LED TIMES

Led on times: Show the total hours with led on since it first start
Reset LED time: Reset the total hours with led on.
Should be done after changing the led.

INFORMATION > ERROR LIST

If an error is detected, a list of error(s) will appear here. By default, without any error: "no error".

INFORMATION > DIAGNOSIS

Show the state of each cards. If one of the electronic card is not at 100%, contact the technical support.

INFORMATION > DMX VALUE

Shows the DMX value received by the Briteq BTX-CIRRUS on the DMX input. It can be used as a DMX analyzer to check the values received.

INFORMATION > FAN MONITOR

Shows the rotation speed of the fans. Speed in rotations per minute.

PERSONALITY > PAN TILT**Pan reverse (on-off)**

- **On:** Pan works in opposite direction
- **Off:** Pan works normally

Tilt reverse (on-off)

- **On:** Tilt works in opposite direction
- **Off:** Tilt works normally

Feedback (on-off)

- **On:** pan/tilt position is automatically corrected.
- **Off:** pan/tilt position is not corrected.

PERSONALITY > DMX INPUT

Used to set the desired input for the DMX signal:

- **Wired Input:** XLR (3 or 5pin) input is used.
- **Wireless Input:** DMX-signal comes from an external wireless transmitter (sold separately)
- **Wireless Input / XLR out:** DMX-signal comes from an external wireless transmitter (sold separately).
The wireless DMX-signal is also available at the DMX output port (3 or 5 pins) for further daisy chaining of other equipment.

Important Remark: originally this projector is NOT equipped with a wireless receiver module. A wireless receiver module is optionally available.

PERSONALITY > SCREEN**Brightness**

Set the brightness of the screen

Screen time

Set a delay from 0 to 10 minutes to automatically exit the menu interface and switch the screen off.

Touch screen (on-off)

- **On:** The touchscreen is active
- **Off:** The touchscreen is not active, menu navigation is only possible using the buttons.

Auto screen (on-off)

- **On:** the screen is automatically rotated, based on the angle of the BriteQ BTX-CIRRUS.
- **Off:** the screen orientation is fixed

PERSONALITY > FAN MODE

- **Auto:** the speed of the fan is controlled by the temperature
- **High:** the fan is continuously on at high speed (for use in very warm environments)

MANUAL CONTROL > RESET

Reset All: Reset all functions of the BriteQ BTX-CIRRUS

Reset pan/tilt: Reset pan and tilt

Reset other: Reset all other functions

MANUAL CONTROL > CHANNEL

Change the value for each channel manually. This is an easy way to quickly test the machine without any DMX console.

ADVANCED > CALIBRATION

Calibration of the 14 integrated motors. Values can be set from 001 to 255.

Calibration password is "0088".

ADVANCED > FACTORY DEFAULT

Return to the factory default settings.

ADVANCED > TOUCH CALIBRATION

Recalibrate the touchscreen by pressing the red cross on the screen.

DMX CHANNELS

The unit is equipped with 5 different DMX modes:

- **Standard:** 20 Channels
- **Shapes:** 29 Channels
- **Extended:** 77 Channels
- **Extended RGBW:** 96 Channels
- **Full :** 86 Channels
- **Extended Dimmer:** 48 Channels

MODE 1	MODE 2	MODE 3	MODE 4	MODE 5	MODE 6	DMX VALUE	FUNCTION
1	1	1	1	1	1	000-255	Red 0-100%
2	2	2	2	2	2	000-255	Red fine
3	3	3	3	3	3	000-255	Green 0-100%
4	4	4	4	4	4	000-255	Green fine
5	5	5	5	5	5	000-255	Blue 0-100%
6	6	6	6	6	6	000-255	Blue fine
7	7	7	7	7	7	000-255	White 0-100%
8	8	8	8	8	8	000-255	White fine
9	9	9	9	9	9	LINEAR CTO (<i>WHITE channel is disabled while CTO is active</i>)	
						000-009	UNUSED RANGE
						010	8000K
						010-054	8000K→7000K
						054-099	7000K→6000K
						099-117	6000K→5600K
						117-144	5600K→5000K
						144-188	5000K→4000K
						188-224	4000K→3200K
224-255	3200K→2500K						
10	10	10	10	10	10	COLOR MACROS	
						000-009	CMY color mixing using channels 8 to 10
						010-014	LEE 790 - Moroccan pink
						015-019	LEE 157 - Pink
						020-024	LEE 332 - Special rose pink
						025-029	LEE 328 - Follies pink
						030-034	LEE 345 - Fuchsia pink
						035-039	LEE 194 - Surprise pink
						040-044	LEE 181 - Congo Blue
						045-049	LEE 071 - Tokyo Blue
						050-054	LEE 120 - Deep Blue
						055-059	LEE 079 - Just Blue
						060-064	LEE 132 - Medium Blue
						065-069	LEE 200 - Double CT Blue
						070-074	LEE 161 - Slate Blue
						075-079	LEE 201 - Full CT Blue
						080-084	LEE 202 - Half CT Blue
						085-089	LEE 117 - Steel Blue
						090-094	LEE 353 - Lighter Blue
						095-099	LEE 118 - Light Blue
						100-104	LEE 116 - Medium Blue Green
						105-109	LEE 124 - Dark Green
						110-114	LEE 139 - Primary Green
						115-119	LEE 089 - Moss Green
120-124	LEE 122 - Fern Green						
125-129	LEE 738 - JAS Green						
130-134	LEE 088 - Lime Green						
135-139	LEE 100 - Spring Yellow						
140-144	LEE 104 - Deep Amber						

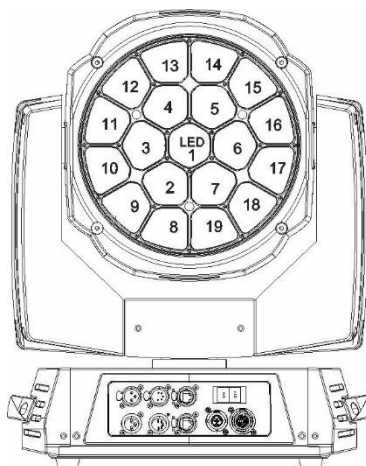
						145-149	LEE 179 - Chrome Orange
						150-154	LEE 105 - Orange
						155-159	LEE 021 - Gold Amber
						160-164	LEE 778 - Millennium Gold
						165-169	LEE 135 - Deep Golden Amber
						170-174	LEE 164 - Flame Red
						175-179	Open
						180-201	Clockwise color macro rotation (fast → slow)
						202-207	Stop (this will stop wherever the color is at the time)
						208-229	Counter-clockwise color macro rotation (slow → fast)
						230-234	Open
						235-249	Random color macro (fast → slow)
						250-255	Open
						STROBE CHANNEL	
						000-031	CLOSED
						032-063	OPEN
						064-095	STROBE SLOW→FAST (1→25 flash/sec)
						096-127	OPEN
						128-143	Opening pulse in sequence from slow to fast
						144-159	Closing pulse in sequence from fast to slow
						160-191	OPEN
						192-223	Random strobe from slow to fast
						224-255	OPEN
12	12	12	12	12	12	000-255	Dimmer 0-100%
13	13	13	13	13	13	000-255	Dimmer Fine
14	14	14	14	14	14	000-255	Pan
15	15	15	15	15	15	000-255	Pan Fine
16	16	16	16	16	16	000-255	Tilt
17	17	17	17	17	17	000-255	Tilt Fine
18	18	18	18	18	18	000-255	Pan/tilt speed (fast to slow)
						SPECIAL FUNCTIONS	
						NOTE: Functions are activated after 5 seconds	
						000-009	Function off – rearmed
						010-019	Blackout when pan/tilt moving
						020-029	Disabled blackout when pan/tilt moving
						030-039	Linear Dimmer Curve
						040-049	Inv. Square Dimmer Curve
						050-059	Square Dimmer Curve
						060-069	S-Dimmer Curve
						070-079	Fast Dimmer Speed (halogen lamp simulation off)
						080-089	Smooth Dimmer Speed (halogen lamp simulation on)
						090-099	Enable silence mode
						100-109	Disable silence mode
						110-219	Reserved
						220-229	Zoom reset
						230-239	Pan/Tilt reset
						240-255	Complete reset
20	20	20	20	20	20	000-255	ZOOM Narrow → Wide
						SHAPE SELECTION	
						000-007	UNUSED RANGE
						008	Dot (static)
						009	Ring 1 (static)
						010	Ring 2 (static)
						011	Dot + ring 1 (static)
						012	Dot + ring 2 (static)
						013	Ring 1 + ring 2 (static)
						014	Dot + ring 1 + ring 2 (static)
						015	Shape 6
						016	Shape 7

						017	Shape 8
						018	Shape 9
						019	Shape 10
						020	Shape 11
						021	Shape 12
						022	Shape 13
						023	Shape 14
						024	Shape 15
						025	Shape 16
						026	Shape 17
						027	Shape 18
						028	Shape 19
						029	Shape 20
						030	Shape 21
						031	Shape 22
						032	Shape 23
						033	UNUSED RANGE
						034	UNUSED RANGE
						035	Shape 24
						036	Shape 25
						037	Shape 26
						038	Shape 27
						039	Shape 28
						040	Shape 29
						041	UNUSED RANGE
						042	Shape 30
						043	UNUSED RANGE
						044	Shape 31
						045	Shape 32
						046	Shape 33
						047	Shape 34
						048	Shape 35
						049	Shape 36
						050	Shape 37
						051	Shape 38
						052	Shape 39
						053	Shape 40
						054	Shape 41
						055	Shape 42
						056	Shape 43
						057	Shape 44
						058	Shape 45
						059	Shape 46
						060	Shape 47
						061	Shape 48
						062	Shape 49
						063	Shape 50
						064	UNUSED RANGE
						065	Shape 51
						066	Shape 52
						067	Shape 53
						068	Shape 54
						069	UNUSED RANGE
						070	Shape 55
						071-255	UNUSED RANGE
						SHAPE SPEED	
						000-063	Radius size,Static
						064-158	max to min speed
						159-160	Stop
	22			22	22		

					161-255	min to max speed
	23			23	23	000-255 Shape Fade 0-100%
	24			24	24	000-255 Shape R
	25			25	25	000-255 Shape G
	26			26	26	000-255 Shape B
	27			27	27	000-255 Shape W
	28			28	28	000-255 Shape Dimmer 0-100%
	29			29	29	000-255 Shape Offset
		21	21	30		000-255 LED1 - Red 0-100%
		22	22	31		000-255 LED1 - Green 0-100%
		23	23	32		000-255 LED1 - Blue 0-100%
			24			000-255 LED1 - White 0-100%
				30		000-255 LED1 - Dimmer 0-100%
		24	25	33		000-255 LED2 - Red 0-100%
		25	26	34		000-255 LED2 - Green 0-100%
		26	27	35		000-255 LED2 - Blue 0-100%
			28			000-255 LED2 - White 0-100%
				31		000-255 LED2 - Dimmer 0-100%
		27	29	36		000-255 LED3 - Red 0-100%
		28	30	37		000-255 LED3 - Green 0-100%
		29	31	38		000-255 LED3 - Blue 0-100%
			32			000-255 LED3 - White 0-100%
				32		000-255 LED3 - Dimmer 0-100%
		30	33	39		000-255 LED4 - Red 0-100%
		31	34	40		000-255 LED4 - Green 0-100%
		32	35	41		000-255 LED4 - Blue 0-100%
			36			000-255 LED4 - White 0-100%
				33		000-255 LED4 - Dimmer 0-100%
		33	37	42		000-255 LED5 - Red 0-100%
		34	38	43		000-255 LED5 - Green 0-100%
		35	39	44		000-255 LED5 - Blue 0-100%
			40			000-255 LED5 - White 0-100%
				34		000-255 LED5 - Dimmer 0-100%
		36	41	45		000-255 LED6 - Red 0-100%
		37	42	46		000-255 LED6 - Green 0-100%
		38	43	47		000-255 LED6 - Blue 0-100%
			44			000-255 LED6 - White 0-100%
				35		000-255 LED6 - Dimmer 0-100%
		39	45	48		000-255 LED7 - Red 0-100%
		40	46	49		000-255 LED7 - Green 0-100%
		41	47	50		000-255 LED7 - Blue 0-100%
			48			000-255 LED7 - White 0-100%
				36		000-255 LED7 - Dimmer 0-100%
		42	49	51		000-255 LED8 - Red 0-100%
		43	50	52		000-255 LED8 - Green 0-100%
		44	51	53		000-255 LED8 - Blue 0-100%
			52			000-255 LED8 - White 0-100%
				37		000-255 LED8 - Dimmer 0-100%
		45	53	54		000-255 LED9 - Red 0-100%
		46	54	55		000-255 LED9 - Green 0-100%
		47	55	56		000-255 LED9 - Blue 0-100%
			56			000-255 LED9 - White 0-100%
				38		000-255 LED9 - Dimmer 0-100%
		48	57	57		000-255 LED10 - Red 0-100%
		49	58	58		000-255 LED10 - Green 0-100%
		50	59	59		000-255 LED10 - Blue 0-100%
			60			000-255 LED10 - White 0-100%
				39		000-255 LED10 - Dimmer 0-100%
		51	61	60		000-255 LED11 - Red 0-100%

		52	62	61		000-255	LED11 - Green 0-100%
		53	63	62		000-255	LED11 - Blue 0-100%
			64			000-255	LED11 - White 0-100%
					40	000-255	LED11- Dimmer 0-100%
		54	65	63		000-255	LED12 - Red 0-100%
		55	66	64		000-255	LED12 - Green 0-100%
		56	67	65		000-255	LED12 - Blue 0-100%
			68			000-255	LED12 - White 0-100%
					41	000-255	LED12 - Dimmer 0-100%
		57	69	66		000-255	LED13 - Red 0-100%
		58	70	67		000-255	LED13 - Green 0-100%
		59	71	68		000-255	LED13 - Blue 0-100%
			72			000-255	LED13 - White 0-100%
					42	000-255	LED13 - Dimmer 0-100%
		60	73	69		000-255	LED14 - Red 0-100%
		61	74	70		000-255	LED11 - Green 0-100%
		62	75	71		000-255	LED14 - Blue 0-100%
			76			000-255	LED14 - White 0-100%
					43	000-255	LED14 - Dimmer 0-100%
		63	77	72		000-255	LED15 - Red 0-100%
		64	78	73		000-255	LED15 - Green 0-100%
		65	79	74		000-255	LED15 - Blue 0-100%
			80			000-255	LED15 - White 0-100%
					44	000-255	LED15 - Dimmer 0-100%
		66	81	75		000-255	LED16 - Red 0-100%
		67	82	76		000-255	LED16 - Green 0-100%
		68	83	77		000-255	LED16 - Blue 0-100%
			84			000-255	LED16 - White 0-100%
					45	000-255	LED16 - Dimmer 0-100%
		69	85	78		000-255	LED17 - Red 0-100%
		70	86	79		000-255	LED17 - Green 0-100%
		71	87	80		000-255	LED17 - Blue 0-100%
			88			000-255	LED17 - White 0-100%
					46	000-255	LED17 - Dimmer 0-100%
		72	89	81		000-255	LED18 - Red 0-100%
		73	90	82		000-255	LED18 - Green 0-100%
		74	91	83		000-255	LED18 - Blue 0-100%
			92			000-255	LED18 - White 0-100%
					47	000-255	LED18 - Dimmer 0-100%
		75	93	84		000-255	LED19 - Red 0-100%
		76	94	85		000-255	LED19 - Green 0-100%
		77	95	86		000-255	LED19 - Blue 0-100%
			96			000-255	LED19 - White 0-100%
					48	000-255	LED19 - Dimmer 0-100%

Pixel order:



MAINTENANCE

- Make sure the area below the installation place is free from unwanted persons during servicing.
- Switch off the unit, unplug the mains cable and wait until the unit has been cooled down.

During inspection the following points should be checked:

- All screws used for installing the device and any of its parts should be tightly fastened and may not be corroded.
- Housings, fixations and installations spots (ceiling, truss, suspensions) should be totally free from any deformation.
- When an optical lens is visibly damaged due to cracks or deep scratches, it must be replaced.
- The mains cables must be in impeccable condition and should be replaced immediately when even a small problem is detected.
- In order to protect the device from overheat the cooling fans (if any) and ventilation openings should be cleaned monthly.
- The interior of the device should be cleaned annually using a vacuum cleaner or air-jet.
- The cleaning of internal and external optical lenses and/or mirrors must be carried out periodically to optimize light output. Cleaning frequency depends on the environment in which the fixture operates: damp, smoky or particularly dirty surroundings can cause greater accumulation of dirt on the unit's optics.
 - Clean with a soft cloth using normal glass cleaning products.
 - Always dry the parts carefully.
 - Clean the external optics at least once every 30 days.
 - Clean the internal optics at least every 90 days.

Attention: We strongly recommend internal cleaning to be carried out by qualified personnel!

SPECIFICATIONS

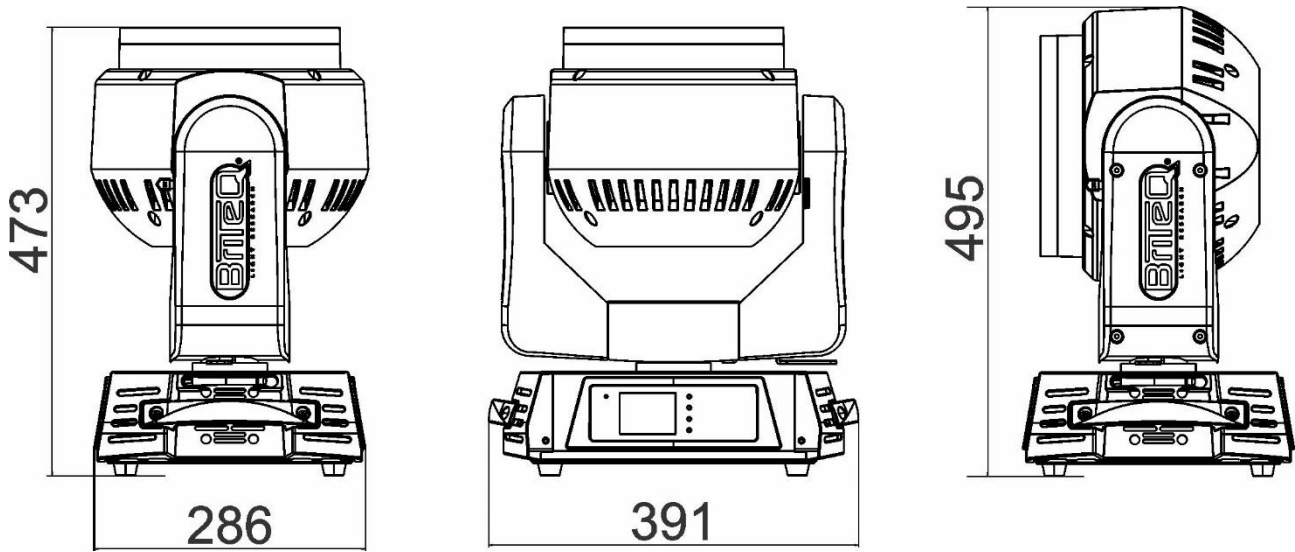
This unit is radio-interference suppressed. This product meets the requirements of the current European and national guidelines. Conformity has been established and the relevant statements and documents have been deposited by the manufacturer. This device was designed to produce decorative effect lighting and is used in light show systems.

Mains Input:	AC 100~240V, 50/60Hz
Power consumption:	650Watt
Sound Control:	none
DMX connections:	3pin & 5pin XLR IN/OUT
Movement:	Pan: 540° Tilt: 210° (+ Pan/Tilt lock for transport protection)
Beam angle:	4° > 60°
DMX channels used:	20-29-48-77-86-96 Channels
Lamp:	19 Osram 30W RGBW LEDs
Size:	390 x 287 x 494 mm (see next page)
Weight:	16 kg

All the information is subject to change without prior notice

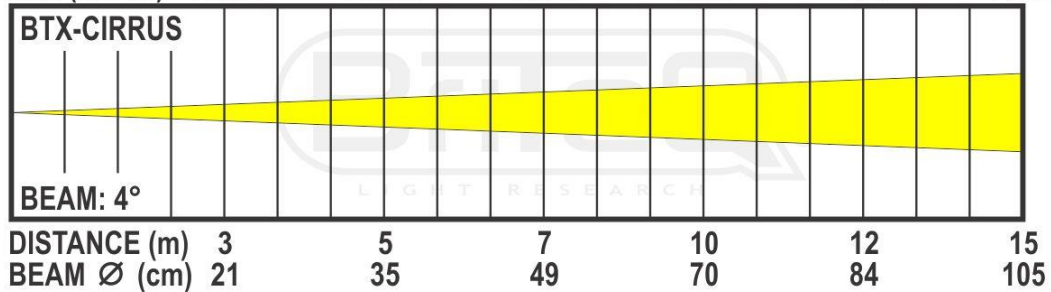
You can download the latest version of this user manual on our website: www.briteq-lighting.com

DIMENSIONS

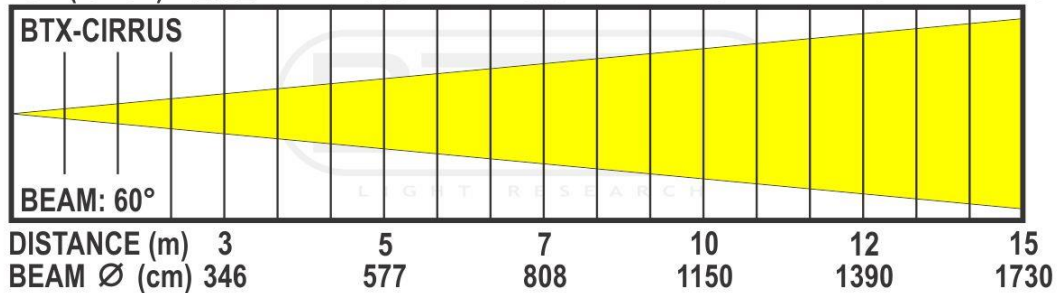


LUX CHART

LUX (red 640nm)	11112	4000	2041	1000	695	445
LUX (green 520nm)	24167	8700	4440	2175	1510	967
LUX (blue 445nm)	4235	1525	778	381	265	170
LUX (white 7200K)	32687	11770	6004	2942	2043	1307
LUX (full on)	70832	25500	13010	6375	4427	2833



LUX (red 640nm)	341	155	79	39	27	17
LUX (green 520nm)	958	345	176	86	60	38
LUX (blue 445nm)	167	60	31	15	10,5	6,7
LUX (white 7200K)	1278	460	235	115	80	51
LUX (full on)	2722	980	500	245	170	109





MAILING LIST

EN: Subscribe today to our mailing list for the latest product news!

FR: Inscrivez-vous à notre liste de distribution si vous souhaitez suivre l'actualité de nos produits!

NL: Abonneer je vandaag nog op onze mailinglijst en ontvang ons laatste product nieuws!

DE: Abonnieren Sie unseren Newsletter und erhalten Sie aktuelle Produktinformationen!

ES: Suscríbete hoy a nuestra lista de correo para recibir las últimas noticias!

PT: Inscreva-se hoje na nossa mailing list para estar a par das últimas notícias!

WWW.BRITEQ-LIGHTING.COM

Copyright © 2019 by BEGLEC NV

't Hofveld 2C ~ B1702 Groot-Bijgaarden ~ Belgium

Reproduction or publication of the content in any manner, without express permission of the publisher, is prohibited.