

EXPLORER SPOT

DESCRIPTION

A compact and very bright 120W Led Moving head, perfect for pubs and mobile DJs!

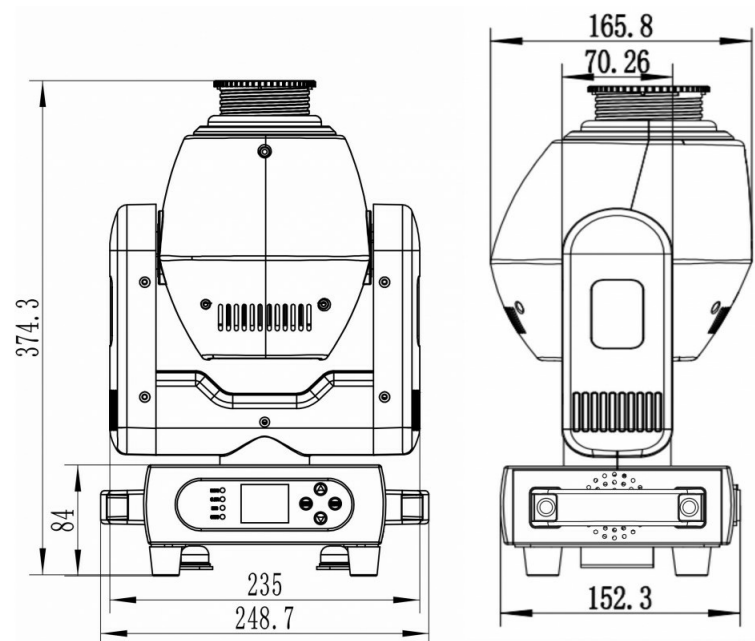
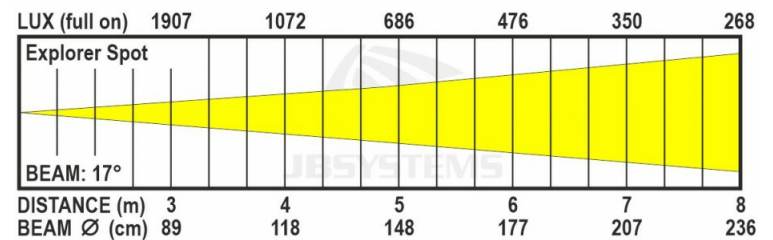
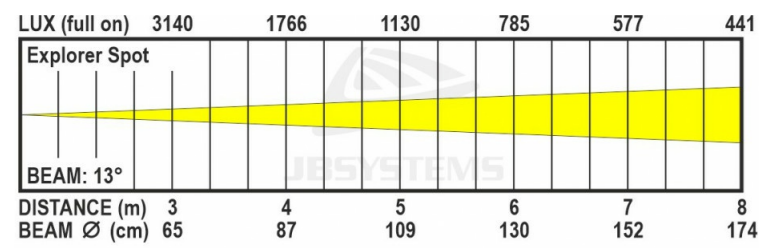
FEATURES

- › An extremely compact but very bright Moving Head, based on a 120W LED
- › The perfect solution for many applications: DJ's, parties, pubs, small clubs,...
- › Motorized focus, controlled by DMX
- › Manual zoom: 12 to 17°
- › 3 facet rotating prism
- › 0-100% dimming and different strobe effects
- › Gobo wheel with 6 rotating gobos + open
- › Color wheel with 8 colors, split colors + open
- › Excellent built-in programs for wonderful, ever changing, light shows.
- › Multiple working modes:
 - › DMX-control: using 5, 15 or 18 channels
 - › Standalone: sound activated with internal mic
 - › Master/slave: wonderful synchronized shows in standalone mode
- › Prepared for wireless DMX: just plug-in an optional WTR-DMX DONGLE !
- › Color LCD-display with 4 touch buttons for easy menu navigation
- › PowerCON compatible input
- › 3p XLR connectors for DMX in- and output



TECHNICAL SPECIFICATIONS

General : Dimensions (cm)	23.5 x 16.6 x 37.4
General : Weight (kg)	7.7
General : Powerinput	AC 100 - 240V, 50/60Hz
General : Energy Label	No
General : Power consumption W	150
General : Color	black
General : Display	LCD
General : Fixation	included omega bracket
General : IP rating	indoor
Control : Modes	standalone sound, DMX, Master/Slave
Control : Protocol	DMX, Wireless DMX
Control : programmable	No
Control : upgradable software	Yes
Control : minimum DMX channels	5
Control : maximum DMX channels	18
Light : lamp socket	No
Light : Lux	1130 @5m (beam 13°)
Light : lamp	LED
Light : mix colors	No
Light : functions	motorized focus, manual zoom, 3 facet round prism
Light : rotating gobos	6
Light : min. beam angle (°)	11
Light : max. beam angle (°)	17
Light : max. refresh rate (kHz)	No
Connections : input	3 pin XLR, wireless DMX optional, PowerCon® or compatible
Connections : output	3 pin XLR
Brand	JB SYSTEMS
EANCode	5420025655439
SKU	B05543



YOUR DEALER

