

BTI-BLIZZARD BSW2

DESCRIPTION

IP65 Powerful HYBRID 450W LED moving head. Low noise operation: perfect for both indoor and outdoor use!

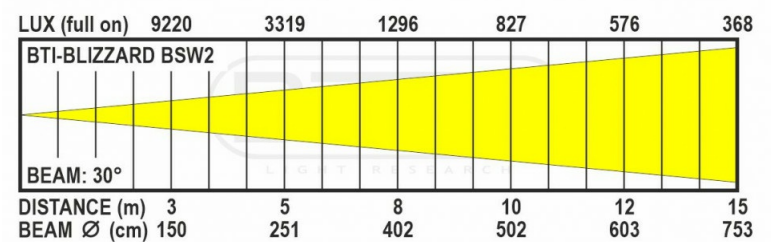
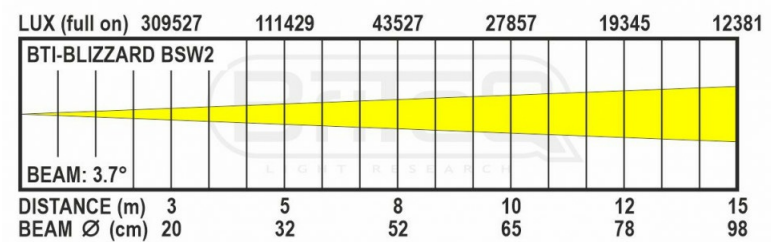
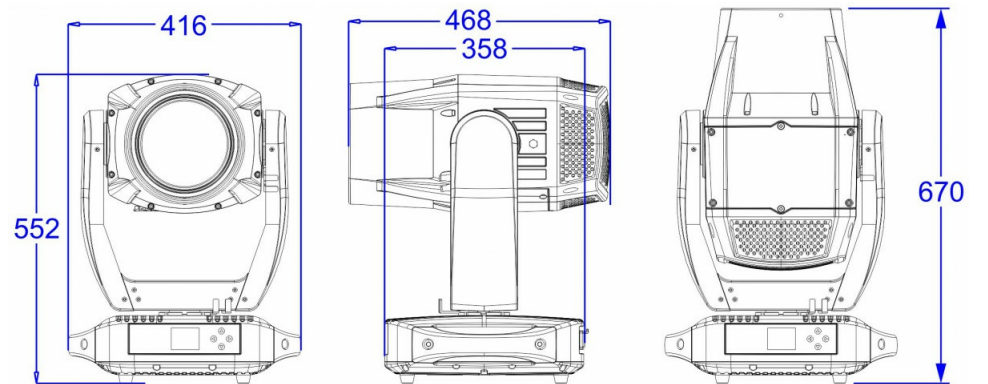
FEATURES

- BTI-BLIZZARD BSW2 is a powerful HYBRID moving head, based on a 450W white LED module.
- **IP65 protection and low noise operation:** perfect for both outdoor and indoor use!
- Wide range electronic zoom, from 3° to 30° with motorized focus.
- Autofocus for different zoom settings.
- Super silent fan mode for theater applications.
- Fast 540° pan and 270° tilt movements.
- Fast pan/tilt with 16bit resolution, position correction and pan/tilt speed channel.
- CMY color mixing, including several color macros.
- 7+1 fixed colors, including UV.
- 7+1 replaceable rotating glass gobos with fine indexing.
- 7+1 replaceable fixed static glass gobos for gobo layering.
- Bi-rotating 5 facets prism.
- Nonstop rotating animation wheel with indexing.
- Linear frost filter for perfect wash effect.
- Accurate strobe with built in random, pulse and burst effects.
- Smooth 16bit dimmer with fast and slow dimming mode.
- Four dimmer curves: linear, square, inverse square, S-curve.
- Uses 22, 26 or 29 DMX channels + RDM-functionality for easy remote setup.
- Full support for Art-Net™ and sACN!
- Internal webserver for additional remote setup.
- The matrix LCD-display assures easy navigation in the different setup menus.
- RJ45 in/out + 3pin-XLR DMX in/out (can be converted to 5pin-XLR).
- PowerCON TRUE1 compatible.
- Equipped with omega brackets for fast installation.



TECHNICAL SPECIFICATIONS

General : Dimensions (cm)	41.6 x 35.8 x 67(H)
General : Weight (kg)	34
General : Powerinput	AC 100 - 240V, 50/60Hz
General : Energy Label	No
General : Power consumption W	560
General : Color	black
General : Display	LCD
General : Fixation	included omega bracket
General : IP rating	indoor, outdoor
Control : Modes	standalone fixed, manual, DMX
Control : Protocol	Art-Net, sACN, DMX, Wireless DMX, RDM
Control : programmable	Yes
Control : upgradable software	Yes
Control : minimum DMX channels	22
Control : maximum DMX channels	29
Light : lamp socket	No
Light : Lux	111'429 @5m (beam 3.7°)
Light : lamp	LED
Light : min. color temperature (K)	6800
Light : max. color temperature (K)	6800
Light : CRI	75
Light : mix colors	Yes
Light : functions	motorized focus, motorized zoom, motorized frost, linear frost, 6 facet round prism
Light : fixed gobos	8
Light : rotating gobos	8
Light : min. beam angle (°)	3
Light : max. beam angle (°)	30
Light : max. refresh rate (kHz)	25
Connections : input	3 pin XLR, wireless DMX optional, wifi, artnet, RJ45, rdm, PowerCon® TRUE1 or compatible
Connections : output	3 pin XLR, artnet, RJ45
Brand	BRITEQ
EANCode	5420025655682
SKU	B05568



YOUR DEALER



WWW.BRITEQ-LIGHTING.COM | WWW.FACEBOOK.COM/BRITEQ

BEGLEC NV HAS THE RIGHT TO CHANGE PRODUCTS AND SPECIFICATIONS WITH AND WITHOUT NOTICE. MAJOR AS WELL AS MINOR CHANGES CAN BE INVOLVED. THIS LEAFLET CAN CONTAIN ERRORS, THEREFORE WE ADVISE TO CONSULT YOUR LOCAL DEALER TO ENSURE THAT ACTUAL FEATURES AND SPECIFICATIONS MATCH YOUR REQUIREMENTS. COPYRIGHT © 2023 BY BEGLEC NV. ALL RIGHTS RESERVED.