

13 - DMX CHARTS

RDM Personality ID List

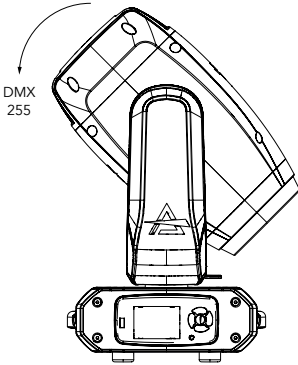
ID	Mode	DMX Footprint
1	STANDARD	20

RDM Model ID

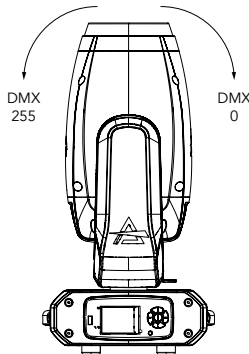
0xA032

PAN/TILT VALUES

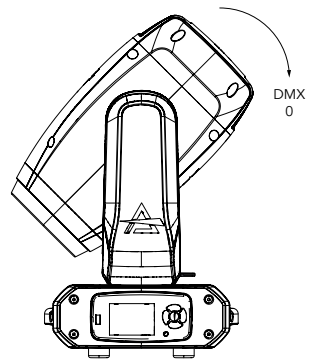
Pan = 128
Tilt = 0



Pan = 128
Tilt = 128

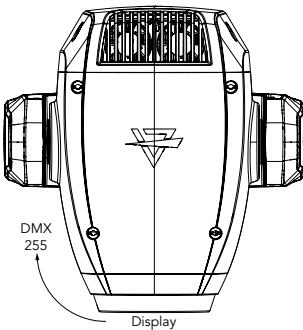


Pan = 128
Tilt = 255

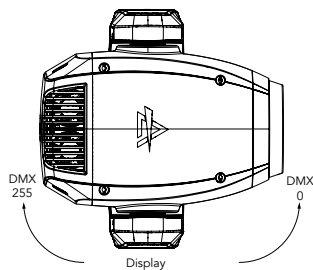


Tilt movement range: 270°
Pan movement range: 540

Pan = 0
Tilt = 80



Pan = 128
Tilt = 80



Pan = 255
Tilt = 80

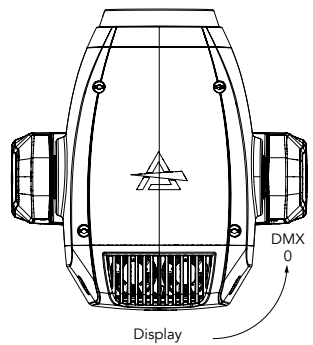


Fig. 09

DMX Chart Summary

Channel	STANDARD
1	Pan
2	Pan fine
3	Tilt
4	Tilt fine
5	Dimmer
6	Dimmer Fine
7	Shutter
8	Color Wheel
9	Rot Gobo
10	Gobo Rot
11	Gobo Rot Fine
12	Fixed Gobo
13	Prism
14	Prism Rotation
15	Frost
16	Zoom
17	Zoom Fine
18	Focus
19	Focus Fine
20	Control

Channel STANDARD	Name	Function	Min DMX	Max DMX	Default
1	Pan	Lineary from 0% to 100%	0	255	128
2	Pan fine	Lineary from 0% to 100%	0	255	128
3	Tilt	Lineary from 0% to 100%	0	255	128
4	Tilt fine	Lineary from 0% to 100%	0	255	128
5	Dimmer	Lineary from close to open	0	255	000
6	Dimmer Fine	Lineary from close to open	0	255	000
7	Shutter	Close	0	1	255
		Strobe from slow to fast	2	62	
		Open	63	64	
		Pulse in from slow to fast	65	125	
		Open	126	127	
		Pulse out from slow to fast	128	188	
		Open	189	190	
		Randon from slow to fast	191	251	
8	Color wheel	Open	252	255	000
		Open	0	8	
		Open + Dark Red	9	17	
		Dark Red	18	26	
		Dark Red + Cyan	27	35	
		Cyan	36	44	
		Cyan + Yellow	45	53	
		Yellow	54	62	
		Yellow + Magenta	63	71	
		Magenta	72	80	
		Magenta + Aquamarine	81	89	
		Aquamarine	90	98	
		Aquamarine + Deep Orange	99	107	
		Deep Orange	108	116	
		Deep Orange + Forest Green	117	125	
		Forest Green	126	134	
		Forest Green + CTO 3200K	135	143	
		CTO 3200K	144	152	
		CTO 3200K + 6000K	153	161	
		6000K	162	170	
		6000K + Lavander	171	179	
		Lavander	180	188	
		Lavander + Deep Blue	189	197	
		Deep Blue	198	206	
		Deep Blue + Open	207	215	
		Forward Spin: from fast to slow	216	234	
		Stop	235	236	
		Reverse Spin: from slow to fast	237	255	

Channel STANDARD	Name	Function	Min DMX	Max DMX	Default
9	Rot Gobo	Open	0	9	000
		GOBO 1	10	19	
		GOBO 2	20	29	
		GOBO 3	30	39	
		GOBO 4	40	49	
		GOBO 5	50	59	
		GOBO 6	60	69	
		GOBO 7	70	79	
		GOBO 8	80	89	
		Forward Spin: from fast to slow	90	131	
		Stop	132	132	
		Reverse Spin: from slow to fast	133	174	
		Shake: GOBO 1 from slow to fast	175	184	
		Shake: GOBO 2 from slow to fast	185	194	
		Shake: GOBO 3 from slow to fast	195	204	
		Shake: GOBO 4 from slow to fast	205	214	
		Shake: GOBO 5 from slow to fast	215	224	
Shake: GOBO 6 from slow to fast	225	234			
Shake: GOBO 7 from slow to fast	235	244			
Shake: GOBO 8 from slow to fast	245	255			
10	Gobo Rot	Lineary from 0° to 360°	0	127	000
		Forward Spin: from fast to slow	128	190	
		Stop	191	192	
		Reverse Spin: from slow to fast	193	255	
11	Gobo Rot Fine	Lineary from 0° to 360° (Indexed)	0	255	000

Channel STANDARD	Name	Function	Min DMX	Max DMX	Default
12	Fixed Gobo	Open	0	3	000
		GOBO 1	4	7	
		GOBO 2	8	11	
		GOBO 3	12	15	
		GOBO 4	16	19	
		GOBO 5	20	23	
		GOBO 6	24	27	
		GOBO 7	28	31	
		GOBO 8	32	35	
		GOBO 9	36	39	
		GOBO 10	40	43	
		GOBO 11	44	47	
		GOBO 12	48	51	
		GOBO 13	52	55	
		GOBO 14	56	59	
		GOBO 15	60	63	
		GOBO 16	64	67	
		GOBO 17	68	71	
		Forward Spin: from fast to slow	72	128	
		Stop	129	130	
		Reverse Spin: from slow to fast	131	187	
		Shake: GOBO 1 from slow to fast	188	191	
		Shake: GOBO 2 from slow to fast	192	195	
		Shake: GOBO 3 from slow to fast	196	199	
		Shake: GOBO 4 from slow to fast	200	203	
		Shake: GOBO 5 from slow to fast	204	207	
		Shake: GOBO 6 from slow to fast	208	211	
		Shake: GOBO 7 from slow to fast	212	215	
		Shake: GOBO 8 from slow to fast	216	219	
		Shake: GOBO 9 from slow to fast	220	223	
		Shake: GOBO 10 from slow to fast	224	227	
		Shake: GOBO 11 from slow to fast	228	231	
Shake: GOBO 12 from slow to fast	232	235			
Shake: GOBO 13 from slow to fast	236	239			
Shake: GOBO 14 from slow to fast	240	243			
Shake: GOBO 15 from slow to fast	244	247			
Shake: GOBO 16 from slow to fast	248	251			
Shake: GOBO 17 from slow to fast	252	255			
13	Prism	Open	0	127	000
		Prism insert	128	255	
14	Prism Rotation	Lineary from 0° to 360°	0	127	000
		Forward Spin: from fast to slow	128	190	
		Stop	191	192	
		Reverse Spin: from slow to fast	193	255	
15	Frost	Lineary from 0% to 100%	0	255	000
16	Zoom	Lineary from in to out	0	255	128
17	Zoom Fine	Lineary from in to out	0	255	128

Channel STANDARD	Name	Function	Min DMX	Max DMX	Default
18	Focus	Lineary from in to out	0	255	128
19	Focus Fine	Lineary from in to out	0	255	128
20	Control	No Function/Safe	0	1	000
		PAN REVERSE ON	2	3	
		PAN REVERSE OFF	4	5	
		TILT REVERSE ON	6	7	
		TILT REVERSE OFF	8	9	
		PAN/TILT MODE FAST	10	11	
		PAN/TILT MODE MEDIUM	12	13	
		PAN/TILT MODE SLOW	14	15	
		MOVEMENT IN BLACKOUT ON	16	17	
		MOVEMENT IN BLACKOUT OFF	18	19	
		COLOR WHEEL BLACKOUT ON (index)	20	21	
		COLOR WHEEL BLACKOUT OFF (index)	22	23	
		ROTATING GOBO WHEEL BLACKOUT ON (index)	24	25	
		ROTATING GOBO WHEEL BLACKOUT OFF (index)	26	27	
		FIXED GOBO WHEEL BLACKOUT ON (index)	28	29	
		FIXED GOBO WHEEL BLACKOUT OFF (index)	30	31	
		COLOR WHEEL CONTINUOUS MOVEMENT (index)	32	33	
		COLOR WHEEL STEP MOVEMENT (index)	34	35	
		ROTATING GOBO WHEEL CONTINUOUS MOVEMENT (index)	36	37	
		ROTATING GOBO WHEEL STEP MOVEMENT (index)	38	39	
		FIXED GOBO WHEEL CONTINUOUS MOVEMENT (index)	40	41	
		FIXED GOBO WHEEL STEP MOVEMENT (index)	42	43	
		HOME MODE STANDARD	44	45	
		HOME MODE CUSTOM	46	47	
		DISPLAY ON	48	49	
		DISPLAY 10S	50	51	
		DISPLAY 20S	52	53	
		DISPLAY 30S	54	55	
		FLIP DISPLAY ON	56	57	
		FLIP DISPLAY OFF	58	59	
		FLIP DISPLAY AUTO	60	61	
		KEY LOCK ON	62	63	
		KEY LOCK OFF	64	65	
FAN MODE AUTO	66	67			
FAN MODE SILENT	68	69			
FAN MODE HIGH	70	71			
NO SIGNAL HOLD	72	73			
NO SIGNAL BLACKOUT	74	75			
Reserved	76	79			

Channel STANDARD	Name	Function	Min DMX	Max DMX	Default
20	Control	DIMMER CURVE LINEAR	80	81	000
		DIMMER CURVE S-CURVE	82	83	
		DIMMER CURVE SQUARE LAW	84	85	
		DIMMER CURVE INVERSE SQUARE LAW	86	87	
		DIMMER SPEED AUTO	88	89	
		DIMMER SPEED FAST	90	91	
		DIMMER SPEED MEDIUM	92	93	
		DIMMER SPEED SLOW	94	95	
		LED FREQUENCY 600HZ	96	97	
		LED FREQUENCY 1200HZ	98	99	
		LED FREQUENCY 2000HZ	100	101	
		LED FREQUENCY 4000HZ	102	103	
		LED FREQUENCY 6000HZ	104	105	
		LED FREQUENCY 25KHZ	106	107	
		LED FREQUENCY 50KHZ	108	109	
		INVERT ZOOM OFF	110	111	
		INVERT ZOOM ON	112	113	
		RESET ALL	114	115	
		RESET PAN/TILT	116	117	
		RESET PAN	118	119	
		RESET TILT	120	121	
		RESET COLOR	122	123	
		RESET ROTATING GOBO	124	125	
		Reserved	126	127	
		RESET FIXED GOBO	128	129	
		RESET ZOOM	130	131	
		RESET FOCUS	132	133	
		RESET PRISM	134	135	
		RESET FROST	136	137	
		RESET OTHER	138	139	
Reserved	140	253			
FACTORY DEFAULT OF CONTROL FUNCTIONS	254	255			