

FIRMWARE UPDATE

Firmware can be updated using the CRMX Toolbox² app from LumenRadio. The app is available for both iOS and Android and can be downloaded from App Store or Google Play.

1. Press and hold the link switch for more than 10 seconds, until the unit indicates that it is in update mode.
2. Within 60 seconds, connect to the device using the app.
3. After connecting, select the "Update" option in the app.

Note: The device will automatically leave update mode after 60 seconds if no connection has been made.

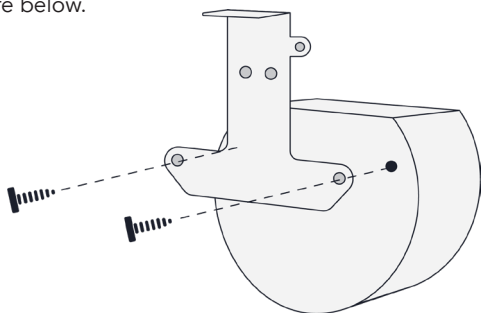


RIGGING

Whenever you are going to rig your Orb unit in a truss or otherwise place it more than 2m above ground, the supplied truss mounting bracket must be used.

Fasten the bracket in a suitable truss clamp using an M10 or 3/8" bolt. The truss mounting bracket also allows for a safety wire to be used whenever necessary.

The truss mounting bracket shall be mounted according to the picture below.



WARRANTY AND SUPPORT

All warranty claims or support topics for this product shall be directed to the local distributor/reseller. To find your local distributor, visit www.wirelessdmx.com

Warranty is deemed void if:

- (1) The product is modified, repaired or otherwise altered unless it has been directed by LumenRadio AB; or
- (2) The serial number on the product (the QR code) has been compromised.

SPECIFICATIONS

Power supply AC ¹ :	100-240 VAC +/- 10% 50/60 Hz
Power supply DC:	5 VDC +/- 10%
Max. power consumption:	1W
Self-healing fuse:	Yes
IP rating:	IP 20
Dimensions (W x H x D):	99 x 97 x 43 [mm]
Weight:	190 g
Antenna connector:	RP-SMA
Operating temp. range:	-20 to +55 °C
Storage temp. range:	-30 to +80 °C
Humidity:	0 – 90% non-condensing
Frequency range:	2402 – 2480 MHz (ISM band)
Max. RF output power:	35 mW
Supported protocols:	DMX-512A
Supported RF protocols (TX):	W-DMX G3
Supported RF protocols (RX):	CRMX, CRMX2 , W-DMX G3, G4, G4S & G5

¹With external power supply only

LEGAL

CRMX is a trademark of LumenRadio AB, W-DMX is a trademark of Wireless Solution Sweden AB.

Wireless Solution Sweden AB is a fully-owned subsidiary of LumenRadio AB.

DMX-512A refers to ANSI national standard developed and maintained by ESTA, Entertainment Services and Technology Association.

This product makes use of US patents 9,208,680; EU patents EP 2415317, EP 2803248, China patents CN 102369774, CN 104041189B and others.

Version of this quick start guide: Version 1 (2023-11-01)

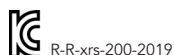
MANUFACTURER

LumenRadio AB
Johan Willins gata 6
416 64 Gothenburg
Sweden

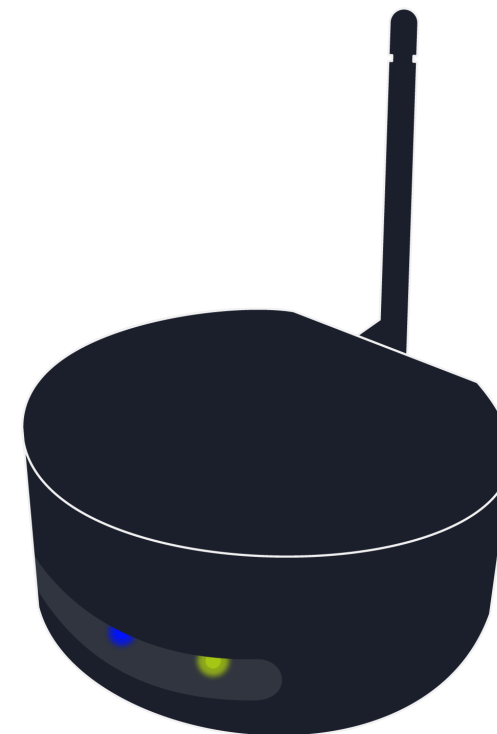
LumenRadio
Alfred-Herrhausen-Allee 3-5
DE-65760 Eschborn
Germany



FCC ID: XRSTIMOMWA201
IC ID: 8879A-TIMOMWA201



W-DMX ORB



Scan for additional
information

GENERAL

All personnel must acquaint themselves with the instructions in this leaflet before using this product. This product must not be used if damaged. For additional documentation for W-DMX Orb and instructional videos, scan the QR code on this leaflet, or visit www.wirelessdmx.com.

APPLICATION AREA

W-DMX Orb is a wireless lighting control device and is designed to be used indoors only. It is intended to be used by professional users.

YOUR WIRELESS DMX SYSTEM

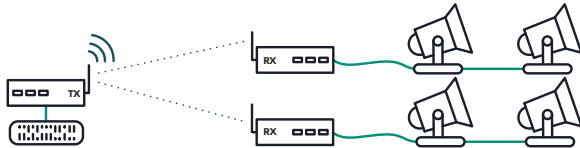
Welcome to the Wireless DMX family! We hope you enjoy your brand new devices – W-DMX products are known for its ease of use, and we thrive on avid users like you who use our products.

But before you use, you must know: there are two main modes of operation, that with Orb comes in two different versions;

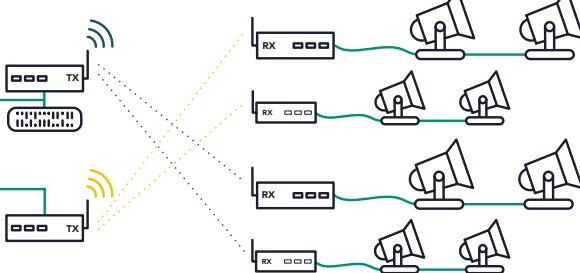
- Transmitter (TX) – it will transmit your wireless DMX data
- Receiver (RX) – it will receive your wireless DMX data

A transmitter can transmit to one or several receivers at a time, and it is possible to use multiple transmitters to transmit multiple DMX universes.

Point-to-multipoint operation



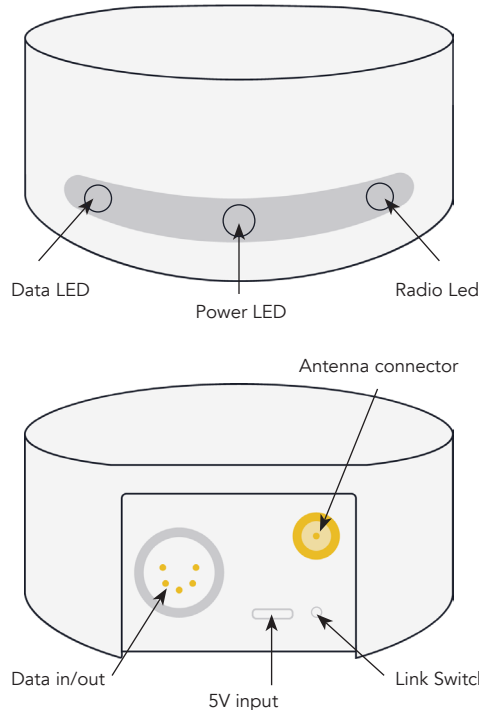
Multipoint-to-multipoint operation



BOX CONTENT

- 1 pc. W-DMX Orb unit (RX or TX)
- 1 pc. External power supply for world-wide use
- 1 pc. USB-C to USB-C cable for power
- 1 pc. RP-SMA 2dBi antenna
- 1 pc. Quick start instruction (this leaflet)

YOUR W-DMX ORB UNIT



INSTALLATION

Before you start using your W-DMX Orb unit, make sure the device does not have any visible damages. Also make sure the supplies power supply does not have any damages.

1. Connect the antenna
2. Plug in the supplied power supply using the supplied USB cable, and make sure the blue power LED lights up.
3. Connect data cable
4. Perform linking (see instructions on next page)

LINK AND UNLINK

Before your wireless DMX system can transport data the TX and RXes needs to be linked together. After an RX is linked to a TX it will stay linked until actively unlinking it.

To link:

1. Make sure the RXes you wish to link is powered on, within range, and unlinked (see unlink instructions if needed).
2. Momentarily press the link switch on the TX unit.
3. Wait approx. 10 seconds while the TX is performing the linking procedure.
4. Now all receivers that was within range and not already linked to a TX will be linked to this TX.

To unlink one RX:

1. Press and hold the link switch on the RX you want to unlink for more than 3 seconds.
2. Check the Radio LED to verify that the RX is unlinked.

To unlink several RXes from a TX:

1. Make sure all RXes you wish to unlink is powered on and within range from the TX.
2. Press and hold the link switch on the TX for more than 3 seconds until the Radio LED on the TX starts to blink slowly.
3. Verify that all RXes became unlinked by checking the Radio LED.

Note: RXes that are either not powered or not within range from the TX when unlinking is performed will remain linked to the TX.

LEDS

Power LED

- Power on
- Update mode

Data LED

- DMX present
- No DMX present

Radio LED (TX)

- Transmitting
- Linking
- Unlinking

Radio LED (RX)

- > 70% signal
- 30–70% signal
- < 30% signal
- TX not found
- Unlinked