



USER MANUAL

**XVISION CONVERTER HDMI TO SDI
PowerCON True1 in/out
XVVHDMI2SDIT1**



User Manual – xVision Converter HDMI to SDI True1

Congratulations on your new acquisition of an xVision Video Converter. It has been designed for years of trouble-free use in the harshest of environments. Should you have any questions regarding this product, feel free to contact us using our website at www.theatrixx.com, or by phone at 1-800-939-3077.

The xVision Video Converter HDMI to SDI converts HDMI video and audio signal to SD, HD and 3G-SDI to reach your SDI-compatible equipment in a rugged, tour-ready enclosure with built-in power supply. There are no settings to fumble with – it just works.

Features

- Integrated power supply with locking PowerCON True1 connector. Never rely on a cluster of wall-warts again.
- Built-in convenience outlet to power nearby projector, TV, laptop, small video projector... Power bar to power both the converter and device not required anymore.
- Magnetic stacking system and non-skid rubber pad saves at least 10 gaffer tape rolls a year.
- Multiple mounting options: C-Clamp, wall-mount adapter, LCD mount adapter and belt adaptor.
- Rugged, Tour-ready and aesthetic enclosure: The sexiest widget in your toolbox that will keep looking good for years to come.
- Plug-n-play operation; No dipswitches, buttons or menus to fumble with: It just works.
- Clear and ample status LED indicators for quick troubleshooting.
- HDMI input tested and compatible with Apple computers and iPad.
- Easy on-the-field identification with unique color and alphabetic coding system.
- Locking HDMI port prevents accidental disconnection. Integrated SDI splitter: Dual SDI outputs.
- Proudly designed and assembled in Canada.

Safety and compliance



cQPSus

This equipment has been tested and meets the following conformance standards:

- CAN/CSA-C22.2 NO. 60950-1-07 - Information Technology Equipment - Safety - Part 1: General Requirements - Second Edition; including AMD 1:2011 and AMD 2:2014
- UL 60950-1 - UL Standard for Safety: Information Technology Equipment - Safety - Part 1: General Requirements - Second Edition; Reprint with Revisions Through and Including October 14, 2014



FCC Class A Notice

This device complies with Part 15 of the FCC Rules. Operation is subject to the following two conditions:

1. This device may not cause harmful interference.
2. This device must accept any interference received, including interference that may cause undesired operation.

Note: This equipment has been tested and found to comply with the limits for a Class A digital device, pursuant to Part 15 of the FCC Rules. These limits are designed to provide reasonable protection against harmful interference when the equipment is operated in a commercial environment. This equipment generates, uses, and can radiate radio frequency energy, and if it is not installed and used in accordance with the instruction manual, it may cause harmful interference to radio communications. Operation of this equipment in a residential area is likely to cause harmful interference, in which case the user will be required to correct the interference at his own expense.

European Union



This equipment has been tested and meets the following conformance standards:

- IEC 60950-1:2006: Safety of information technology equipment + A11:2009 + A1:2010 + A12:2011 + A2:2013
- EN 55022:2010: Information technology equipment - Radio disturbance characteristics - Limits and methods of measurement

ICES-003 Class A Notice - Avis NMB-003, Classe A

This Class A digital apparatus complies with Canadian ICES-003.

Cet appareil numérique de la classe A est conforme à la norme NMB-003 du Canada.

WARNING

Changes or modifications not expressly approved by Theatrixx Technologies could void the user's authority to operate the equipment.

Before operation, read these general warnings



IMPORTANT SAFETY INSTRUCTION

This equipment must be connected to an earthed socket-outlet.

VIGTIGE SIKKERHEDSINSTRUKTIONER

Dette udstyr skal tilsluttes en jordet stikkontakt.

TURVALLISUUOSOHJEITA

Tämä laite on kytkettävä maadoitettuun pistorasian.

VIKTIG SIKKERHETSINSTRUKS

Dette utstyret må kobles til en jordet stikkontakt.

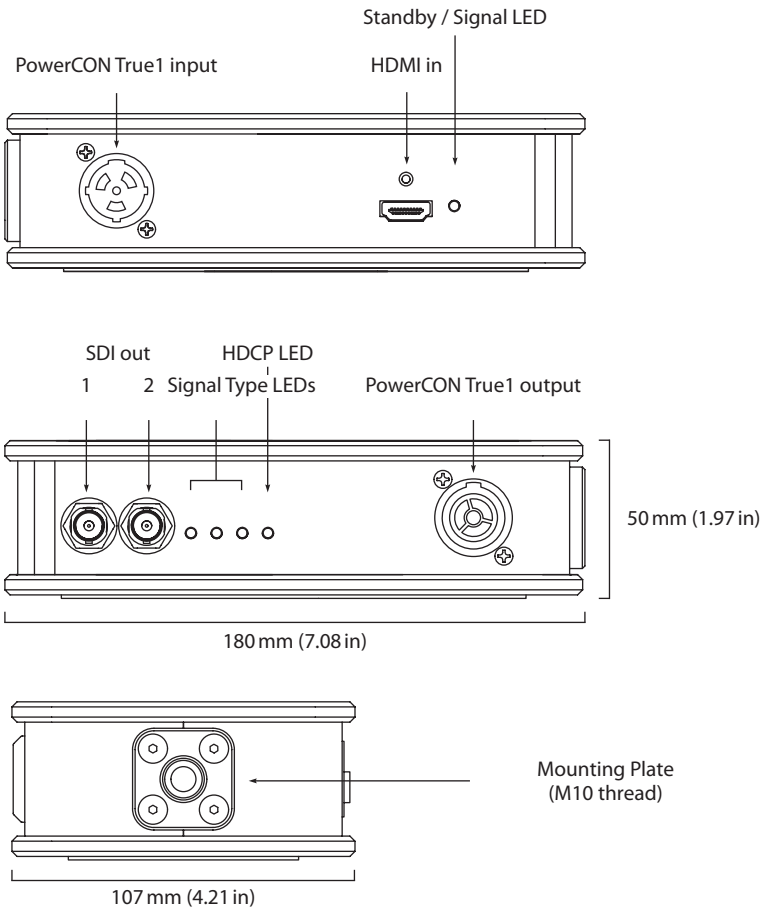
- The unit is intended for professional use only. Not for domestic use.
- Read and follow all instructions and information marked on the product or in this manual.
- Do not use this unit near water and clean only with a dry cloth.
- Install the unit in accordance with this manual.
- Do not install near any heat sources.
- Do not modify any part of the power cord. If the provided plug does not fit into your outlet, please consult an electrician.
- In the event the AC cable appears damaged, do not plug the unit in AC power and return it to your dealer for repair.
- Turn off the power before plugging or unplugging the PowerCon connector. The PowerCon has no breaking capacity and should not be connected or disconnected under load or live.
- Protect the power cord from being walked on.
- The Mains plug is used as the disconnection for the unit, it must remain accessible and operable.
- Unplug this unit during lightning storms or when unused for a long period.
- Servicing must be performed by a qualified and certified technician.
- Do not open the chassis. Opening the chassis will void the warranty unless performed by an authorized Theatrixx Service Center.
- Disconnect the AC Power Plug before moving the unit.
- Electrical grounding must be observed at any time to avoid electrical shock.
- Make sure that all devices plugged in the outlet connector of the device do not exceed 10A.
- Contains Neodymium magnets.

1. Unpacking

After opening the box, remove the unit from its protective plastic bag, and unpack the included accessory box. Ensure the package contains the following:

- xVision Converter HDMI to SDI, PowerCON True1 in/PowerCON True1 out
- DVI male to HDMI male cable with locking screw (1 meter)
- Edison Nema 5-15 Male to PowerCON True1 or CEE 7/7 to PowerCON True1 cable (1.5 meter)
- Warranty card
- This user manual

Familiarize yourself with the unit connections and indicators:



WARNING 

THIS EQUIPMENT MUST BE USED WITH POWER SUPPLY CORD PROVIDED ONLY OR PURCHASE FROM THEATRIX TECHNOLOGIES. PLEASE CONTACT THEATRIX TECHNOLOGIES IF YOU NEED A DIFFERENT POWER SUPPLY CORD THAN THE NEMA 5-15 OR THE CEE 7/7. PLEASE CONTACT THEATRIX TECHNOLOGIES TO ORDER YOUR CABLES TO USE WITH THE POWERCON TRUE1 OUTLET.

2. Installation

The unit can be mounted in different ways using the threaded mounting plate on its side. Any standard C-clamp type device (sold separately) or bolt using a M10 thread may be used. The unit may also be placed on a stable horizontal surface with no other attachment needed. Using the built-in magnets, multiple units may be stacked easily.

WARNING 

- Never use the magnets as the sole attachment method. The magnets are designed to facilitate stacking and should not be used to attach the unit to metallic bulkheads.
- Always use rated mounting hardware and accessories to avoid fatal accidents.
- This product must be installed in accordance with the applicable installation code by a person familiar with the construction and operation of the product and the hazards involved.
- Make sure mounting hardware is attached securely to all components of the installation.
- Always use a safety cable to secure the unit in case the main attachment device fails.
- The mounting means of equipment intended for wall or ceiling mounting shall be adequate for min 50N.
- Authorities Having Jurisdiction should be consulted as to conformance with applicable building codes.

3. Operation

The unit has automatic input format detection and adjusts the output to match the input. The unit is not equipped with scaling technology and will not change the format of the signal in any way.

1. Connect unit to power and (if applicable) connect auxiliary equipment to the converter's AC outlet.
2. The unit will boot and LEDs may flash in a random sequence.
3. If no video input is detected, the Power/Signal LED will light up Red
4. As soon as a valid video signal is detected on the input connector, the Power/Signal LED will turn Green and the Signal Type LEDs will indicate the detected signal type (3G/HD/SD).
5. The output plugs become active immediately after a valid signal has been detected.

TIP:

- Your unit includes dual SDI output connectors, which means you have a built-in distribution amplifier to feed your video signal to two sources at the same time.
- This unit has been tested and is compatible with all Apple equipment, including Mac, iPad and iPhone. However, HDCP-protected content like iTunes movies will not play through this unit.

IMPORTANT NOTICE REGARDING HDCP

The HDMI output of a Blu-ray player or other HDMI devices may have HDCP encryption intended for content protection. HDCP protection may be active only for certain video files, depending on the device. The HDCP standard only allows for HDCP encrypted material to be converted to another format if that format also supports HDCP and the material is re-encrypted. The only interface formats that support HDCP are HDMI, DVI, Display Port and UDI. SDI does not support HDCP and therefore the conversion from HDMI with HDCP to SDI is against the HDCP standard.

Circumventing HDCP is against US law

In order to convert from HDMI with HDCP to HD-SDI the HDCP encryption will have to be removed. Removing HDCP and outputting the signal in a different format that does not support HDCP is circumventing the copyright protection. Circumventing any form of digital copy right protection is prevented by the Digital Millennium Copyright Act (DMCA) and is against US law.

Warranty

Limited warranty

Your xVision Video Converter includes a 2-year limited warranty. Please see the included warranty card for more information.

Appendix A : Specifications

Connections

- Video input: HDMI 1.4 type A with lock system
- Video Output: 2 x 3G/HD/SD SDI auto switching

Standards

- 3G: 1080p50/60
- HD: 1080p24/25/30, 1080i50/60, 720p50/60
- SD: 625i (PAL) 525i (NTSC)

Audio

- Up to 8 channels, 24bit, 48kHz

Physical Specifications

- Height: 50mm (1.97in)
- Depth: 180mm (7.08in)
- Width: 107mm (4.21in)
- Weight: 1kg (2.2lbs)

Power Requirements

- Power Supply: Built-in power supply, PowerCon TRUE1 input, PowerCon TRUE1 output
- Current Consumption: 0.15A Standalone, 10A with AC Outlet
- Operational Voltage Range: 100-240V

Environmental Specifications

- Relative Humidity: 0% to 90% non-condensing
- Working temperature: 0 to 40°C

Notices

Trademarks and copyright

xVision is a registered trademark of Theatrixx Technologies Inc.

Copyright © 2019 Theatrixx Technologies Inc. All rights reserved. The information contained in this document is the sole property of Theatrixx Technologies Inc. Any reproduction in part or as whole without the written permission of Theatrixx Technologies Inc. is prohibited.

Recycling notice



The unit must not be disposed of with your other household waste. It is your responsibility to dispose of your waste equipment by handing it to a designated center for the recycling of electrical equipment.

Contact

To contact Theatrixx Technologies for sales or support, use any of the following methods:

Tel:	+1-514-939-3077
Fax:	+1-514-633-0087
Web:	www.theatrixx.com
Support Email:	support@theatrixx.com
Sales Email:	sales@theatrixx.com

