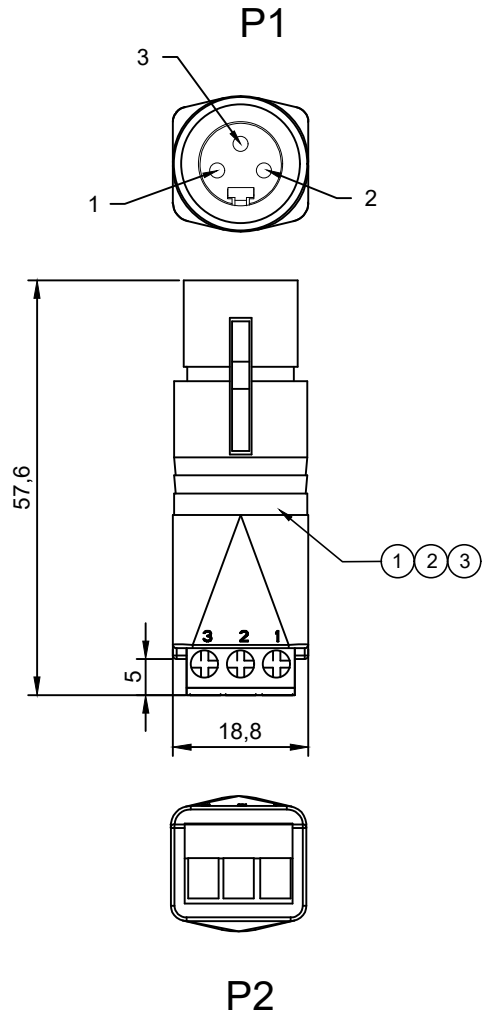


RoHS and Reach Compliant



PIN ASSIGNMENT

P1		P2
1-----		1
2-----		2
3-----		3

NOTES:

1. PIN ASSIGNMENT SEE TO WIRE LIST.
2. ELECTRICAL TEST CONDITION:
 - (a).100%OPEN,SHORT & MISWIRE TEST,
 - (b). INSULATOR RESISTANCE:10 Mohm MIN.
DC 300V 0.01sec.
 - (c). CONTACT RESISTANCE:3ohm MAX.

3	OVERMOLD BLACK PVC 45P.	
2	TERMINAL BLOCK PH:5.0 GREEN.	
1	XLR 3F BLACK INSULATOR WITH BLACK NICKLE PLATED BRASS.	
NO.	Description	P/N

DWG NO:	PCM-0739	GOODS CODE		Draw	James	Date	2024/6/28
ITEM NO.		DRAWING EVIDENCE		Check		Date	
Goods NO.				Approval		Date	
Original NO.		Unit(mm)					

PREMIER CABLE MFG CO LTD	D		
	C		
	B		
	VER.A	REVISE	Date.