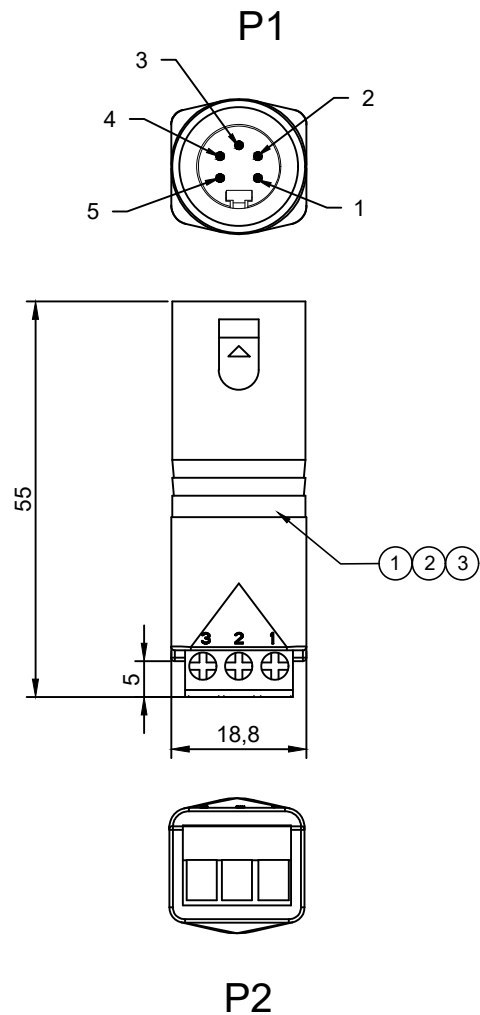


RoHS and Reach Compliant



PIN ASSIGNMENT

P1		P2
1	-----	1
2	-----	2
3	-----	3
4		
5		

NOTES:

1. PIN ASSIGNMENT SEE TO WIRE LIST.
2. ELECTRICAL TEST CONDITION:
  - (a). 100% OPEN, SHORT & MISWIRE TEST,
  - (b). INSULATOR RESISTANCE: 10 Mohm MIN.  
DC 300V 0.01sec.
  - (c). CONTACT RESISTANCE: 3ohm MAX.

3	OVERMOLD BLACK PVC 45P.	
2	TERMINAL BLOCK PH:5.0 GREEN.	
1	XLR 5M BLACK INSULATOR WITH BLACK NICKLE PLATED BRASS.	
NO.	Description	P/N

DWG NO:	PCM-0740	GOODS CODE		Draw	James	Date	2024/6/28
ITEM NO.		DRAWING EVIDENCE		Check		Date	
Goods NO.				Approval		Date	
Original NO.		Unit(mm)					

PREMIER CABLE MFG CO LTD

D		
C		
B		
VER.A	REVISE	Date.