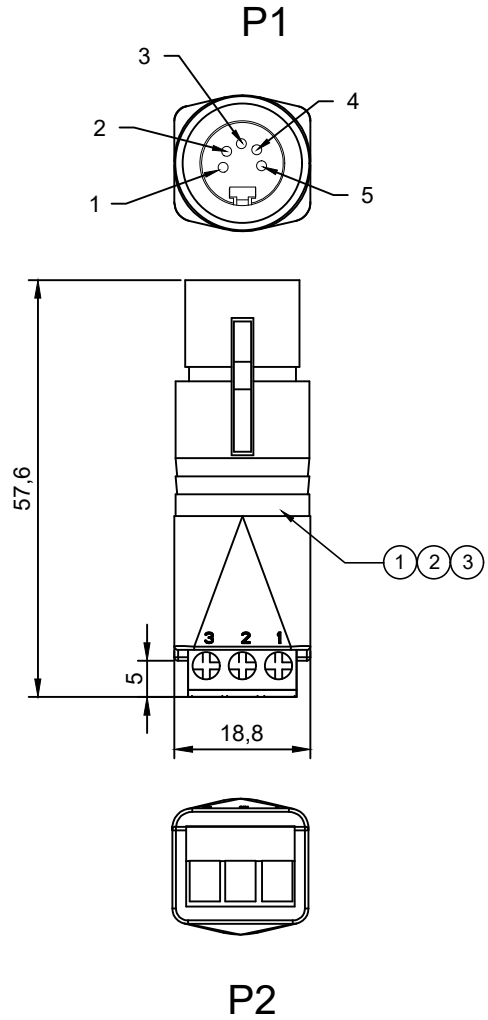


RoHS and Reach Compliant



**PIN ASSIGNMENT**

P1	P2
1-----	1
2-----	2
3-----	3
4	
5	

**NOTES:**

1. PIN ASSIGNMENT SEE TO WIRE LIST.
2. ELECTRICAL TEST CONDITION:
  - (a).100%OPEN,SHORT & MISWIRE TEST,
  - (b). INSULATOR RESISTANCE:10 Mohm MIN.  
DC 300V 0.01sec.
  - (c). CONTACT RESISTANCE:3ohm MAX.

3	OVERMOLD BLACK PVC 45P.	
2	TERMINAL BLOCK PH:5.0 GREEN.	
1	XLR 5F BLACK INSULATOR WITH BLACK NICKLE PLATED BRASS.	
NO.	Description	P/N

DWG NO:	PCM-0741	GOODS CODE		Draw	James	Date	2024/6/28
ITEM NO.		DRAWING EVIDENCE		Check		Date	
Goods NO.				Approval		Date	
Original NO.		Unit(mm)					

<b>PREMIER CABLE MFG CO LTD</b>	D		
	C		
	B		
	VER.A	REVISE	Date.