

**BT-FOG1500**

**BT-FOG2000**

**BT-FOG3300**



# ENGLISH

## Operation Manual

Other languages can be downloaded from:  
[WWW.BRITEQ-LIGHTING.COM](http://WWW.BRITEQ-LIGHTING.COM)



Version: 1.0





### **EN - DISPOSAL OF THE DEVICE**

Dispose of the unit and used batteries in an environment friendly manner according to your country regulations.

### **FR - DÉCLASSER L'APPAREIL**

Débarrassez-vous de l'appareil et des piles usagées de manière écologique Conformément aux dispositions légales de votre pays.

### **NL - VERWIJDEREN VAN HET APPARAAT**

Verwijder het toestel en de gebruikte batterijen op een milieuvriendelijke manier conform de in uw land geldende voorschriften.

### **DU - ENTSORGUNG DES GERÄTS**

Entsorgen Sie das Gerät und die Batterien auf umweltfreundliche Art und Weise gemäß den Vorschriften Ihres Landes.

### **ES - DESHACERSE DEL APARATO**

Reciclar el aparato y pilas usadas de forma ecologica conforme a las disposiciones legales de su país.

### **PT - COMO DESFAZER-SE DA UNIDADE**

Tente reciclar a unidade e as pilhas usadas respeitando o ambiente e em conformidade com as normas vigentes no seu país.

# OPERATION MANUAL

Thank you for buying this Briteq® product. To take full advantage of all possibilities and for your own safety, please read these operating instructions very carefully before you start using this unit.

## FEATURES

This new series of foggers combines the highest demands of professional users with a very competitive pricing. This combination makes these machines the perfect choice for the most demanding rental companies and installers.

3 models are available with the same features, only the power is different!

- Extremely strong output.
- Continuous fogging supported (at 50% output)
- Adjustable fog volume 0-100%
- Different ways to control the fogger:
  - Manually or with timer: display + buttons
  - Using the included RF-remote
  - Full DMX control with RDM support
  - USB-connector for use with our optional wireless DMX USB-dongle
- LCD display with touch keys to easily scroll through the settings menu.
- Robust and exclusive black "Briteq" housing.
- Solid suspension bracket:
  - Serrated swivel mechanism for perfect locking at different inclination angles.
  - Prepared for use with OMEGA bracket
- An indented compartment for extra protection of:
  - XLR 3pin + XLR 5pin for maximal compatibility
  - PowerCON TRUE1 compatible in/output (output can be used to power an optional fan)
  - Illuminated Power switch
- Strong fluid tank with level control and clear "empty tank" indication.

### 3 MODELS:

- **BT-FOG1500:** 1500W Hi-pressure diecast heater with 2,5L tank and 31'000 cuft/min. (878m<sup>3</sup>/min.) output
- **BT-FOG2000:** 2000W Hi-pressure diecast heater with 3L tank and 45'000 cuft/min. (1274m<sup>3</sup>/min.) output
- **BT-FOG3300:** 3300W Hi-pressure diecast heater with 6L tank and 60'000 cuft/min. (1699m<sup>3</sup>/min.) output

## BEFORE USE

- Before you start using this unit, please check if there's no transportation damage. Should there be any, do not use the device and consult your dealer first.
- **Important:** This device left our factory in perfect condition and well packaged. It is absolutely necessary for the user to strictly follow the safety instructions and warnings in this user manual. Any damage caused by mishandling is not subject to warranty. The dealer will not accept responsibility for any resulting defects or problems caused by disregarding this user manual.
- Keep this booklet in a safe place for future consultation. If you sell the fixture, be sure to add this user manual.

### Check the contents:

Check that the carton contains the following items:

- BT-FOGxxxx
- Power cable
- Wireless RF remote controller
- Operating instructions

## SAFETY INSTRUCTIONS:



**CAUTION**  
RISK OF ELECTRIC SHOCK  
DO NOT OPEN



**CAUTION:** To reduce the risk of electric shock, do not remove the top cover. No user-serviceable parts inside. Refer servicing to qualified service personnel only.



The lightning flash with arrowhead symbol within the equilateral triangle is intended to alert the user or the presence of un-insulated "dangerous voltage" within the product's enclosure that may be of sufficient magnitude to constitute a risk of electric shock.



The exclamation point within the equilateral triangle is intended to alert the user to the presence of important operation and maintenance (servicing) instructions in the literature accompanying this appliance.



This symbol means: indoor use only.



This symbol means: Read instructions.



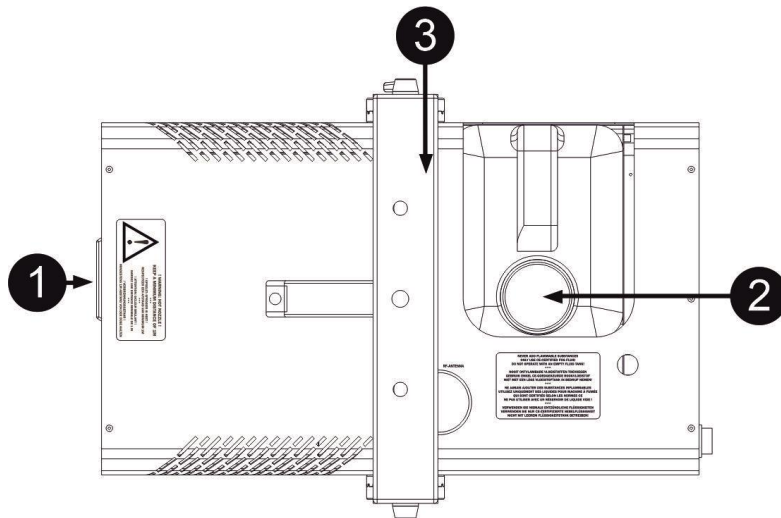
This symbol determines: the minimum distance from objects. The minimum distance between fogger output and objects must be more than 1 meter. NEVER hold your hands close to the fogger output, the fog is very hot and can cause serious burnings !!!

- To protect the environment, please try to recycle the packing material as much as possible.
- To prevent fire or shock hazard, do not expose this appliance to rain or moisture.
- To avoid condensation to be formed inside, allow the unit to adapt to the surrounding temperatures when bringing it into a warm room after transport. Condense sometimes prevents the unit from working at full performance or may even cause damages.
- This unit is for indoor use only.
- Don't place metal objects or spill liquid inside the unit. Electric shock or malfunction may result. If a foreign object enters the unit, immediately disconnect the mains power.
- Locate the unit in a well ventilated spot, away from any flammable materials and/or liquids.
- Don't cover any ventilation openings as this may result in overheating.
- Prevent use in dusty environments and clean the unit regularly.
- Keep the unit away from children.
- Inexperienced persons should not operate this device.
- Maximum save ambient temperature is 40°C. Don't use this unit at higher ambient temperatures.
- The units' surface temperature may reach up to 85°C. Don't touch the housing with bare hands during its operation.
- Make sure to always place the unit on a stable surface, never install the fogger above the audience, a little liquid can always drip from the fog output.
- Allow the device about 10 minutes to cool down before you start servicing.
- Always unplug the unit when it is not used for a longer time or before you start servicing.
- Check that the available voltage is not higher than the one stated on the rear panel of the unit.
- The power cord should always be in perfect condition. Switch the unit immediately off when the power cord is squashed or damaged. It must be replaced by the manufacturer, its service agent or similarly qualified persons in order to avoid a hazard.
- Never let the power-cord come into contact with other cables!
- This unit must be earthed in order comply with safety regulations.
- In order to prevent electric shock, do not open the cover.
- **Never** repair a fuse or bypass the fuse holder. **Always** replace a damaged fuse with a fuse of the same type and electrical specifications!
- In the event of serious operating problems, stop using the fixture and contact your dealer immediately.
- The housing must be replaced if they are visibly damaged.
- Please use the original packing when the device is to be transported.
- Due to safety reasons it is prohibited to make unauthorized modifications to the unit.

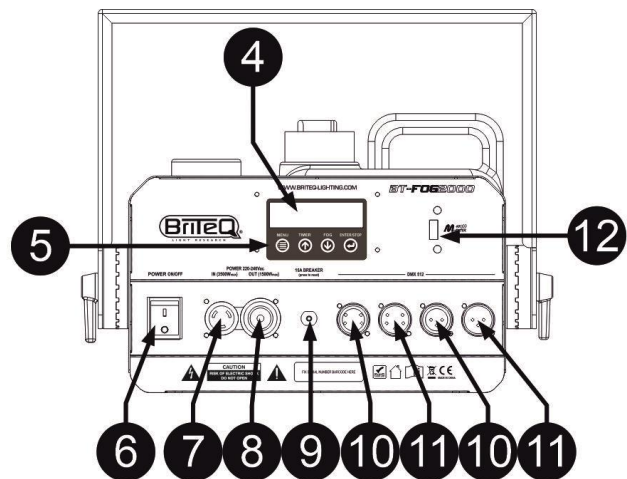
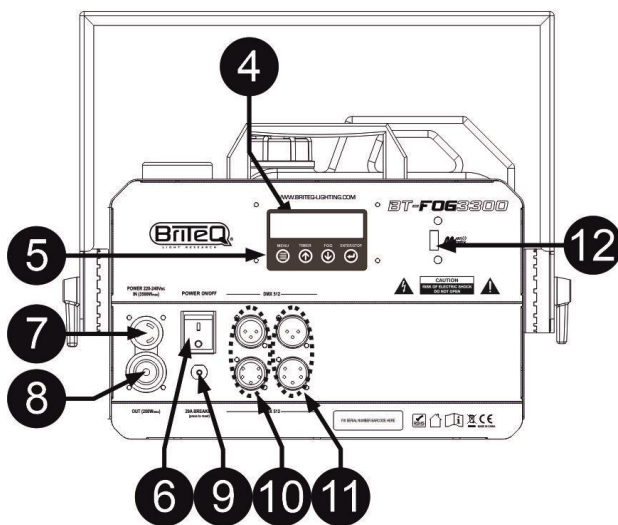
### WARNING!

**If you want to install the unit in a truss or on the ceiling: Never hang the device over an area where people can walk by. Hot liquid may accidentally drip from the nozzle. If this hits someone, it can cause serious burns!**

**DESCRIPTION:**



1. **NOZZLE:** high pressure fog output.  
**WARNING: HOT powerful output ! Keep a minimum distance of 1m !**
2. **FOG FLUID RESERVOIR:** to be filled with CE-certified smoke fluid. Make sure that the fog fluid container is never empty during operation; this will damage the pump of the fogger.
3. **HANGING BRACKET:** The hole in the center can be used to fix a rigging clamp, The 2 other holes can be used to fix an omega bracket
4. **DISPLAY** shows the various menus and the selected functions.



5. **CONTROL PANEL:**
  - **MODE button:** press several times to navigate through the option menu
  - **UP & TIMER button:** used to increase the selected value in the setup menu. When the setup menu shows [READY TO WORK] you can use this button to activate the timer function. The timer will execute the setting you have made in the menu for fog output volume, duration and interval.
  - **FOG & DOWN button:** used to decrease the selected value in the setup menu. When the setup menu shows [READY TO WORK] you can use this button to start the manual working mode. The fog output volume will be the one that you have set in the setup menu
  - **ENTER/STOP button:** used to confirm the selected value. When the manual fog output or timer is active, this button will stop the manual working mode
6. **POWER SWITCH:** used to switch the machine ON/OFF
7. **MAINS INPUT CONNECTOR:** insert the supplied mains cable here and connect it to in a mains wall socket with earth connection.
8. **MAINS OUTPUT CONNECTOR:** can be used to send power to other devices with a maximum of 1500W

9. **BREAKER:** first locate and solve the problem that caused the breaker to be activated. When the problem is solved, push the button to reset the breaker.
10. **DMX OUTPUT:** 3-pin + 5-pin female connector, used to connect the fogger with the next unit in the DMX chain.
11. **DMX INPUT:** 3-pin + 5-pin male connector, used to connect the fogger directly to a DMX-controller or to the previous unit in the DMX chain.
12. **M-DMX INPUT:** Please note that this USB-connector is NOT used for updates or to connect the unit to a PC! Instead this USB-connector makes it very easy to add wireless DMX to the unit! Just add the (optional) WTR-DMX DONGLE from BRITEQ® and you will get wireless DMX! Moreover, you will be able to connect other DMX-controlled equipment to the DMX-output so you can share the wireless DMX function with all connected units! No extra settings to be made in the setup menu, just follow the procedure in the user manual supplied with the WTR-DMX DONGLE from BRITEQ®. The separate WTR-DMX DONGLE is available from [WWW.BRITEQ-LIGHTING.COM](http://WWW.BRITEQ-LIGHTING.COM) (order code: B04645)



## MENU SETTINGS:

### READY TO WORK

This message will be shown on the display as soon as the machine is ready to be used.

When the unit is just started up, the heating element of the fogger needs some time to warm up until it reaches its ideal working temperature.

### DMX512 ADDRESS

Used to set the start address when the unit is used in a DMX chain.

- Press the MENU button until DMX512 ADDRESS is shown on the display.
- Use the DOWN and UP buttons to change the DMX address.
- Once the desired address is shown on the display, press the ENTER button to confirm.

### DMX MODE

Used to choose the DMX channel mode.

- Press the MENU button until DMX MODE is shown on the display.
- Use the DOWN and UP buttons to change the DMX mode (1 CH or 2 CH).
- Once the desired mode is shown on the display, press the ENTER button to confirm.

### FOG OUTPUT

Used to set the fog output volume for the manual activation mode and the timer mode.

When you select NONSTOP, the output volume will be automatically reduced to make it possible to produce continuous fog.

- Press the MENU button until FOG OUTPUT is shown on the display.
- Use the DOWN and UP buttons to set the desired fog output volume.
- Once the desired setting is shown on the display, press the ENTER button to confirm.

### INTERVAL SET

Used to set the interval time for the TIMER function.

- Press the MENU button until INTERVAL SET is shown on the display.
- Use the DOWN and UP buttons to desired interval. (from 1 second to 600 seconds)
- Once the desired setting is shown on the display, press the ENTER button to confirm.

### DURATION SET

Used to set the fog duration time for the TIMER function.

- Press the MENU button until DURATION SET is shown on the display.
- Use the DOWN and UP buttons to desired fog duration (from 2 seconds to 255 seconds)
- Once the desired setting is shown on the display, press the ENTER button to confirm.

### FLUID SENSOR

Used to switch the fluid sensor ON or OFF. We strongly advise you to have the fluid sensor ON to avoid to use the unit when the fog fluid container is empty (what can damage the unit)

- Press the MENU button until FLUID SENSOR is shown on the display.

- Use the DOWN and UP buttons to change to select ON (sensor ON) or OFF (sensor OFF/so detection).
- Once the desired mode is shown on the display, press the ENTER button to confirm.

### **WIRELESS CONTROL**

Used to activate the wireless remote receiver. If the remote receiver is not switched on, the wireless remote can not be used.

Please note that when DMX is connected to the unit, the remote receiver will be automatically switched off.

- Press the MENU button until WIRELESS CONTROL is shown on the display.
- Use the DOWN and UP buttons to select ON or OFF
- Once the desired setting is shown on the display, press the ENTER button to confirm.

### **KEY TONE**

When you press the buttons of the menu, a beep can be heard. The level of this “beep” can be set

- Press the MENU button until KEY TONE is shown on the display.
- Use the DOWN and UP buttons to desired tone level (HIGH, MEDIUM, LOW or OFF)
- Once the desired setting is shown on the display, press the ENTER button to confirm.

## **OPERATING INSTRUCTIONS**

**WARNING: the unit has a HOT and powerful output ! Keep a minimum distance of 1m .**

- Put the fogger on a flat and very stable surface. Make sure that nobody can put their hands just in front of the output. The fog is very hot and can cause serious burnings!!!
- Make sure the fog liquid tank is not empty. Always use good quality fog liquid to fill up the tank. Close the tank immediately to prevent dirt to enter the reservoir!
- Make sure to plug the fogger in a mains wall socket with earth connection
- Switch the fogger on and wait for about 3 to 4 minutes. (warm up time)

**WARNING: NEVER use the machine with an empty reservoir. This can damage the pump !**

## **MANUAL INSTANT FOG:**

Just press the [FOG] button on the unit.

To stop the fog output, just press the [ENTER/STOP] button

The output volume will be influenced by your [FOG OUTPUT] setting (see MENU SETTINGS section above)

## **WIRELESS REMOTE CONTROL:**

Switch the [WIRELESS CONTROL] function ON in the menu

Now you can just press the [FOG] button on the unit.

To stop the fog output, just press the upper button of the remote to start producing fog. Use the lower button to stop the fogger.

The output volume will be influenced by your [FOG OUTPUT] setting (see MENU SETTINGS section above)

Don't forget to pull out the antenna of the remote controller for a better control range.

Remark: when DMX is connected to the unit, the wireless receiver is automatically switched OFF.

## **DMX-OPERATION:**

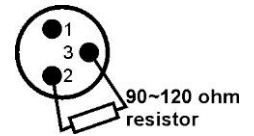


**Important:** The electrical installation should be carried out by qualified personal only, according to the regulations for electrical and mechanical safety in your country.

### **Electrical installation:**

- The DMX-protocol is a widely used high speed signal to control intelligent light and other equipment. You need to “daisy chain” your DMX controller and all the connected units with a good quality balanced cable.
- Both XLR-3pin and XLR-5pin connectors are used, however XLR-3pin is more popular because these cables are compatible with balanced audio cables.  
Pin layout XLR-3pin: Pin1 = GND ~ Pin2 = Negative signal (-) ~ Pin3 = Positive signal (+)  
Pin layout XLR-5pin: Pin1 = GND ~ Pin2 = Negative signal (-) ~ Pin3 = Positive signal (+) ~ Pins4+5 not used.

- To prevent strange behavior of the light effects, due to interferences, you must use a 90Ω to 120Ω terminator at the end of the chain. Never use Y-splitter cables, this simply won't work!
- Make sure that all units are connected to the mains.
- Each unit in the chain needs to have its proper starting address so it knows which commands from the controller it has to decode.



Set the desired DMX address and DMX mode.

The unit can now be controlled via DMX or Wireless DMX (with the optional WTR-DMX DONGLE)

**1 CHANNEL DMX MODE**

CH	Function	Value	Details
CH 1	FOG	000-255	Fog output volume

**2 CHANNEL DMX MODE:**

CH	Function	Value	Details
CH 1	FOG	000-255	Fog output volume
CH 2	MODE	000-005	Normal working mode
		006-255	Continuous fog mode (volume will be automatically lowered when needed)

**OVERHEAD RIGGING**

**Important:** The installation must be carried out by qualified service personal only. Improper installation can result in serious injuries and/or damage to property. Overhead rigging requires extensive experience! Working load limits should be respected, certified installation materials should be used, the installed device should be inspected regularly for safety.

- Make sure the area below the installation place is free from unwanted persons during rigging, de-rigging and servicing.
- Locate the fixture in a well ventilated spot, far away from any flammable materials and/or liquids. The fixture must be fixed **at least 50cm** from surrounding walls.
- The device should be installed out of reach of people and outside areas where persons may walk by or be seated.
- Before rigging make sure that the installation area can hold a minimum point load of 10times the device's weight.
- Always use a certified safety cable that can hold 12times the weight of the device when installing the unit. This secondary safety attachment should be installed in a way that no part of the installation can drop more than 20cm if the main attachment fails.
- The device should be well fixed; a free-swinging mounting is dangerous and may not be considered!
- Don't cover any ventilation openings as this may result in overheating.
- The operator has to make sure that the safety-relating and machine-technical installations are approved by an expert before using them for the first time. The installations should be inspected every year by a skilled person to be sure that safety is still optimal.
- The rigging can be done in 2 ways:
  - By putting a rigging clamp directly in the central hole of the hanging bracket
  - By fixing an omega clamp + rigging clamp in the hanging bracket. Be sure that the omega clamp is properly locked



## MAINTENANCE

- Switch off the unit, unplug the mains cable and wait until the unit has been cooled down.

**During inspection the following points should be checked:**

- All screws used for installing the device and any of its parts should be tightly fastened and may not be corroded.
- Housings, fixations and installations spots (ceiling, truss, suspensions) should be totally free from any deformation.
- The mains cables must be in impeccable condition and should be replaced immediately when even a small problem is detected.

**Cleaning the fogger:**

To prevent obstructions in the heater, pump and tubes, the fogger should be cleaned on a regular basis: every 100h of continuous operation is a good reference.

- Switch the fogger off
- Remove the nozzle (metal part where the fog leaves the fogger)
- Remove the fog liquid from the tank
- Fill the tank with about 1liter of a solution containing 80% distilled water and 20% white vinegar.
- Switch the fogger on and wait for about 8minutes (warm up time)
- Put the fogger in continuous operation mode until the tank is empty
- Put the nozzle back in place
- Remove the eventual residues of the cleaning solution and refill the tank with fog liquid.

***Remark:*** *cleaning should be done outside; an awful smell is produced by the vinegar solution!*

**Attention:** **We strongly recommend internal cleaning to be carried out by qualified personnel!**

## SPECIFICATIONS

This device carries the prescribed CE marking. It was tested for this purpose in a specialized CE lab and fully complies with all currently valid European and national standards.

The corresponding CE conformity declarations can be found on the product page of this product on our website.

	BT-FOG1500	BT-FOG2000	BT-FOG3300
<b>Mains Input</b>	AC 220-240V, 50Hz		
<b>Power</b>	1500 W	2000 W	3300 W
<b>Warm up time</b>	+/- 6 minutes		
<b>Output ft<sup>3</sup> / min</b>	31000	45000	60000
<b>Output m<sup>3</sup> / min</b>	878	1274	1699
<b>Tank Size</b>	2.5 L	3 L	6 L
<b>Fluid to be used</b>	Smoke / Fog Fluid → preferred liquid: see Briteq website !		
<b>Dimension (LxWxH)</b>	43,5 x 36 x 20 cm	46 x 40 x 21 cm	50 x 42 x 27 cm
<b>Weight</b>	8 kg	12,11 kg	16,29 kg

**All the information is subject to change without prior notice**

You can download the latest version of this user manual on our website: [www.briteq-lighting.eu](http://www.briteq-lighting.eu)







## MAILING LIST

**EN: Subscribe today to our mailing list for the latest product news!**

**FR: Inscrivez-vous à notre liste de distribution si vous souhaitez suivre l'actualité de nos produits!**

**NL: Abonneer je vandaag nog op onze mailinglijst en ontvang ons laatste product nieuws!**

**DE: Abonnieren Sie unseren Newsletter und erhalten Sie aktuelle Produktinformationen!**

**ES: Suscríbete hoy a nuestra lista de correo para recibir las últimas noticias!**

**PT: Inscreva-se hoje na nossa mailing list para estar a par das últimas notícias!**

**[WWW.BRITEQ-LIGHTING.COM](http://WWW.BRITEQ-LIGHTING.COM)**

**Copyright © 2024 by BEGLEC NV**

't Hofveld 2C ~ B1702 Groot-Bijgaarden ~ Belgium

Reproduction or publication of the content in any manner, without express permission of the publisher, is prohibited.