



ADMIRAL
STAGING

TRUSS BRACKET 30

The Admiral Truss brackets are suitable for the lifting or suspending of truss 30 by motor or chain hoist. There are two types available, one for temporary installations and another for permanent ones. The Truss brackets come in black and have a powder coated finish.



KEY FEATURES

For temporary installations

Easily swap between truss constructions by using the Truss bracket with half couplers.

For fixed installations

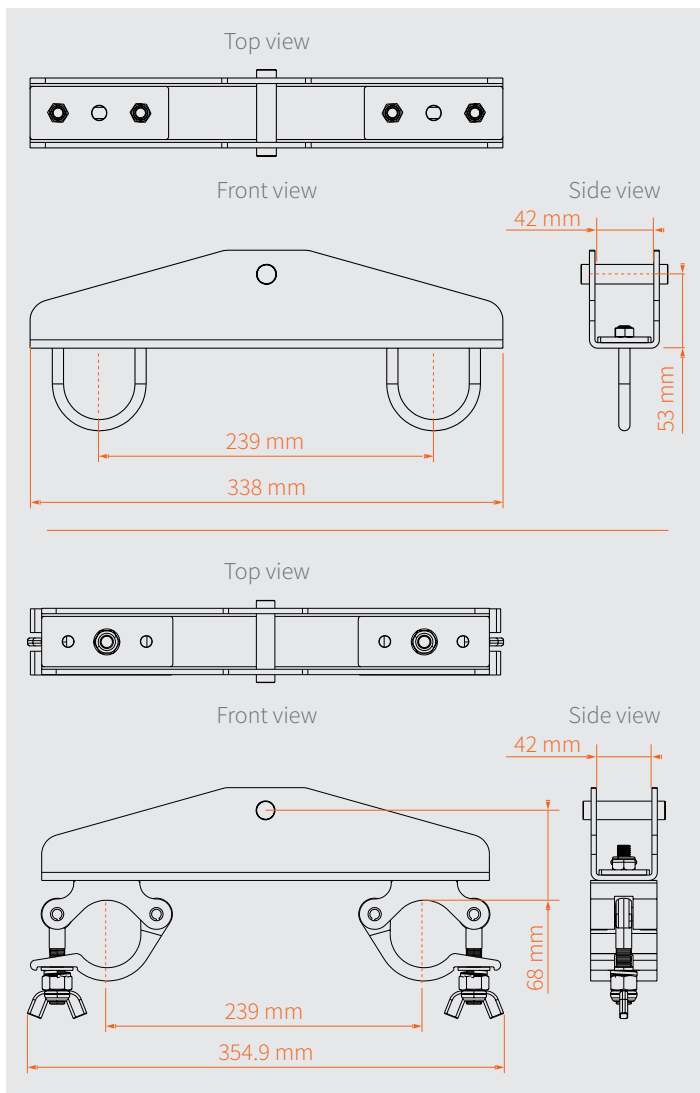
Choose the Truss bracket with U-bolts for a reliable, permanent installation or when you need minimal space between the truss and the hoist.

ELL of 500 kg

Both Truss bracket types have a load limit of 500 kg.

www.admiralstaging.com

DIMENSIONS



TECHNICAL DATA

TRUSS BRACKET with U-bolts

Article code:	RIHBAD35
EAN:	8720094420646
ELL:	500 kg
Safety factor against failure:	8:1
Material:	steel
Finish:	powder coated
Dimensions:	338 x 62 x 162 mm (L x W x H)
Weight:	1.57 kg
Colour:	black gloss 30% (RAL 9005)

TRUSS BRACKET with half couplers

Article code:	RIHBAD37
EAN:	8720094420653
ELL:	500 kg
Safety factor against failure:	8:1
Material:	steel
Finish:	powder coated
Dimensions:	355 x 62 x 165 mm (L x W x H)
Weight:	3.0 kg
Colour:	black gloss 30% (RAL 9005)

Compatible with Prolyte, Eurotruss, Global Truss, LITEC

TRUSS BRACKET with U-bolts



TRUSS BRACKET with half couplers



ADMIRAL
STAGING

| www.admiralstaging.com | Josink Kolkweg 10 | 7545 PR Enschede | The Netherlands | Tel: +31 53 4 301 201 |