



# SunBlast FLX

IP65 modular and graphical LED Strobe  
with white string+RGB+WW panel,  
1200W peak



---

## USER MANUAL

---

## ***Thank you for choosing PROLIGHTS***

Please note that every PROLIGHTS product has been designed in Italy to meet quality and performance requirements for professionals and designed and manufactured for the use and application as shown in this document.

Any other use, if not expressly indicated, could compromise the good condition/operation of the product and/or be a source of danger.

This product is meant for professional use. Therefore, commercial use of this equipment is subject to the respectively applicable national accident prevention rules and regulations.

Features, specifications and appearance are subject to change without notice. Music & Lights S.r.l. and all affiliated companies disclaim liability for any injury, damage, direct or indirect loss, consequential or economic loss or any other loss occasioned by the use of, inability to use or reliance on the information contained in this document.

Product user manual can be downloaded from the website [www.prolights.it](http://www.prolights.it), or can be inquired to the official PROLIGHTS distributors of your territory ([https://www.prolights.it/sales\\_network.html](https://www.prolights.it/sales_network.html)).

Scanning the below **QR Code**, you will access the download area of the product page, where you can find a broad set of always updated technical documentation: specifications, user manual, technical drawings, photometrics, personalities, fixture firmware updates.



**Visit the download area  
of the product page**



The PROLIGHTS Logo, PROLIGHTS names and all other trademark in this document pertaining to PROLIGHTS services or PROLIGHTS product are trademarks OWNED or licensed by Music & Lights S.r.l., its affiliates, and subsidiaries. PROLIGHTS is a registered trademark by Music & Lights S.r.l. All right reserved. Music & Lights – Via A. Olivetti, snc - 04026 - Minturno (LT) ITALY.

# INDEX

<b>1 - PACKAGING</b>	<b>05</b>
PACKAGE CONTENT .....	05
OPTIONAL ACCESSORIES .....	05
<b>2 - TECHNICAL DRAWING</b>	<b>05</b>
<b>3 - INSTALLATION</b>	<b>06</b>
MOUNTING .....	06
<b>4 - CONNECTION TO THE MAINS SUPPLY</b>	<b>07</b>
<b>5 - START UP</b>	<b>07</b>
CONNECT AND DISCONNECT POWER FROM THE PRODUCT .....	07
<b>6 - PRODUCT OVERVIEW</b>	<b>08</b>
<b>7 - DMX CONNECTION</b>	<b>09</b>
CONNECTION OF THE CONTROL SIGNAL: DMX LINE.....	09
INSTRUCTIONS FOR A RELIABLE DMX CONNECTION .....	09
CONNECTION DAISY CHAIN .....	09
CONNECTION OF THE DMX LINE .....	09
CONSTRUCTION OF THE DMX TERMINATION .....	10
DMX ADDRESSING .....	10
ETHERNET OPERATION.....	10
ETHERNET TO DMX OPERATIONS .....	11
OPERATION AS A WIRELESS TRANSMITTER .....	11
IN TO CRMX .....	12
OPERATION AS A WIRELESS RECEIVER .....	12
CRMX TO DMX (RX) .....	12
<b>8 - CONTROL PANEL</b>	<b>13</b>
DISPLAY AND BUTTONS LAYOUT .....	13
SHORTCUT .....	13
<b>9 - MENU STRUCTURE</b>	<b>14</b>
DIMMER CURVES .....	21
DIMMER SPEEDS.....	22
FAN MODE .....	22
USER SETTINGS .....	23
SPEKTRA CALIBRATION.....	23
MASTER/SLAVE .....	23
COMBINE PIXEL AND MAIN ENGINES .....	24
<b>10 - DMX CHARTS</b>	<b>25</b>
DMX BASIC MODES.....	25
DMX PIXEL MODES.....	26
PIXEL DEFINITION - RGBW PLATES .....	28
PIXEL DEFINITION - WHITE BEAM .....	28
CHANNEL DEFINITION.....	29
<b>11 - RDM FUNCTIONS</b>	<b>40</b>
<b>12 - ACCESSORIES INSTALLATION</b>	<b>42</b>
DIFFUSION FILTERS .....	42
SPACER FOR FILTERS .....	43
BRACKETS .....	44
HANGING BRACKETS.....	49
CLUSTER CONFIGURATION .....	50
<b>13 - MAINTENANCE</b>	<b>52</b>
MAINTENANCE AND CLEANING THE PRODUCT .....	52
VISUAL CHECK OF PRODUCT HOUSING.....	52
TROUBLESHOOTING .....	53
<b>14 - IP65 RATING TEST</b>	<b>54</b>

# SAFETY INFORMATION



## WARNING!

- See <https://www.prolights.it/product/SUNBLASTFLX#download> for installation instructions.
- Please read carefully the instruction reported in this section before installing, powering, operating or servicing the product and observe the indications also for its future handling.



**This unit is not for household and residential use, only professional applications.**



## Connection to mains supply

- The Connection to the mains supply must be carried out by a qualified electrical installer.
- Use only AC supplies 100-240V 50-60 Hz, the fixture must be electrically connected to ground (earth).
- Select the cable cross section in according with the maximum current draw of the product and the possible number of products connected at the same power line.
- The AC mains power distribution circuit must be equipped with magnetic+residual current circuit breaker protection.
- Do not connect it to a dimmer system; doing so may damage the product.
- The product has XLR sockets for DMX input and output.
- Connection of the control signal: DMX LINE.
- Notice: this control circuit is not isolated.
- Cumulative leakage current of less than 3.5mA on the control circuit.



## Protection and Warning against electrical shock

- Do not remove any cover from the product, always disconnect the product from AC power before servicing.
- Ensure that the fixture is electrically connected to ground (earth). And use only a source of AC power that complies with local building and electrical codes and has both overload and ground-fault (earth-fault) protection.
- Before using the fixture, check that all power distribution equipment and cables are in perfect condition and rated for the current requirements of all connected devices.
- Isolate the fixture from power immediately if the power plug or any seal, cover, cable, or other components are damaged, defective, deformed or showing signs of overheating.
- Do not reapply power until repairs have been completed.
- Refer any service operation not described in this manual to PROLIGHTS Service team or an authorized PROLIGHTS service center.



## Installation

- Make sure that all visible parts of the product are in good visible condition before its use or installation.
- Make sure the point of anchorage is stable before positioning the projector.
- When suspending the fixture above ground level, secure it against failure of primary attachments by attaching a safety cable that is approved as a safety attachment for the weight of the fixture to the attachment point on the main frame of the product. In case the safety cable, enter in action, it needs to be replaced with a new one.
- Install the product only in well ventilated places.
- For non temporary installations, ensure that the fixture is securely fastened to a load-bearing surface with suitable corrosionresistant hardware.
- For a temporary installation with clamps, ensure that the quarter-turn fastener and/or screws are turned fully, and secured with a suitable safety cable.





### Minimum distance of illuminated objects

- The projector needs to be positioned so that the objects hit by the beam of light are at least 0.5 meters (1.64 ft) from the lens of the projector.

**T<sub>a</sub> 45°C**

### Max operating ambient temperature (T<sub>a</sub>)

- Do not operate the fixture if the ambient temperature (T<sub>a</sub>) exceeds 45 °C (113 °F).

**T<sub>a</sub> -20°C**

### Minimum operating ambient temperature (T<sub>a</sub>)

- Do not operate the fixture if the ambient temperature (T<sub>a</sub>) is below -20 °C (-4 °F).



### Protection from burns and fire

- The exterior of the fixture becomes hot during use. Avoid contact by persons and materials.
- Ensure that there is free and unobstructed airflow around the fixture.
- Keep flammable materials well away from the fixture
- Do not expose the front glass to sunlight or any other strong light source from any angle. Lenses can focus the sun's rays inside the fixture, creating a potential fire hazard.
- Do not attempt to bypass thermostatic switches or fuses.

**IP65**

### Permanent Outdoor use

- This product is rated with an IP (Ingress protection) for permanent outdoor use when used and serviced according to the instruction contained in this document.
- Never use the fixture in places subject to vibrations or bumps.
- Make certain that no inflammable liquids, water or metal objects enter the fixture.
- Excessive dust, smoke fluid, and particle build up degrades performance, causes overheating and will damage the fixture.
- Damages caused by inadequate cleaning or maintenance are not covered by the product warranty.

**T<sub>c</sub> 70°C**

### Temperature of the external surface

- The surface of the fixture can reach up to 70 °C (158 °F) during operation. Avoid contact with people and materials.



### Maintenance

- Warning! Disconnect the fixture from AC mains power and allow to cool for at least 10 minutes before handling.
- Only technicians who are authorized by PROLIGHTS or Authorised service partners are permitted to open the fixture.
- Users may carry out external cleaning, following the warnings and instructions provided, but any service operation not described in this manual must be referred to a qualified service technician.
- Important! Excessive dust, smoke fluid, and particle build up degrades performance, causes overheating and will damage the fixture. Damages caused by inadequate cleaning or maintenance is not covered by the product warranty.



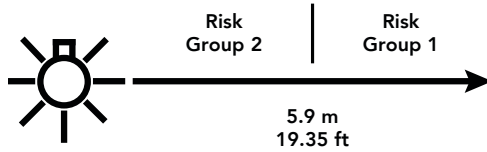
### Photobiological safety

- This device emits potentially dangerous optical radiation and is identified in the category of Risk Group 2 according to EN 62471.



### Do not stare at the operating light source

- Do not look directly at the LED source during operation. It can be harmful to the eyes and skin.
- During Installation, operation and maintenance, be prepared for the fixture to light and move suddenly when connected to power.
- The device should be positioned so that prolonged staring into the luminaire at a distance closer than 5,9 m (19,35 ft) is not expected.



**Disposal**

- This product is supplied in compliance with European Directive 2012/19/EU – Waste Electrical and Electronic Equipment (WEEE). To preserve the environment please dispose/ recycle this product at the end of its life according to the local regulation.



**The products to which this manual refers comply with:**

- 2014/35/EU - Safety of electrical equipment supplied at low voltage (LVD).
- 2014/30/EU - Electromagnetic Compatibility (EMC).
- 2011/65/EU - Restriction of the use of certain hazardous substances (RoHS).



**FCC Compliance:**

- This device complies with Part 15 of the FCC Rules. Operation is subject to the following two conditions:
  1. This device may not cause harmful interference, and
  2. This device must accept any interference received, including interference that may cause undesired operation.



**Other approvals**

- The product meets the safety requirements of the certification procedures of the market in which it is placed and sold.

# 1 - PACKAGING

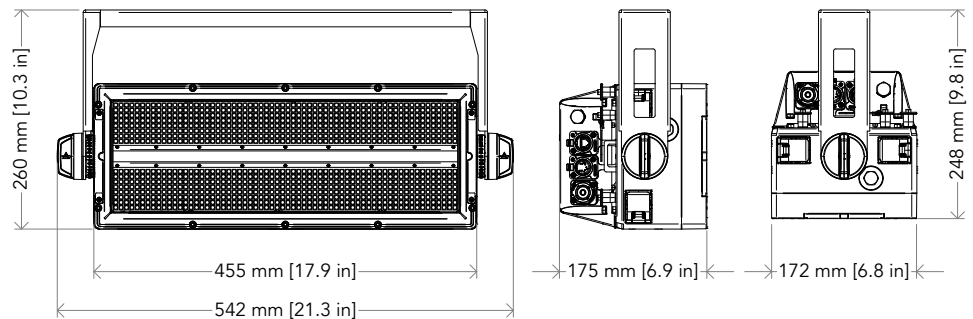
## PACKAGE CONTENT

- 1x SUNBLASTFLX;
- 1x OS25PLUS;
- 1x SBLFLXB01H;
- 1x 1,5 meters power cable (BARE END - 32A NEUTRIK POWERCON TRUE1 IP65);
- User Manual.

## OPTIONAL ACCESSORIES

Check the updated accessories list, description and informations of the product at the following link:  
<https://www.prolights.it/product/SUNBLASTFLX#accessories>

# 2 - TECHNICAL DRAWING



Weight: 11,6 kg - 25,57 lbs

Fig. 01

# 3 - INSTALLATION

## MOUNTING

Ensure the supporting structure can safely bear the combined weight of all installed fixtures, clamps, cables, auxiliary equipment, etc., and complies with local regulations.

When suspending the fixture above ground level, secure it with a safety wire rated for the fixture's weight, attaching it to an anchor point on the main frame. Do not use removable parts or weak anchors for secondary attachment.

**Warning:** When clamping the fixture to a truss or other structure at any angle, use half-coupler clamps only. Do not use clamps that do not fully encircle the structure when fastened.

**NOTE:** for further installations, please check page 44 for all the optional accessories instructions.

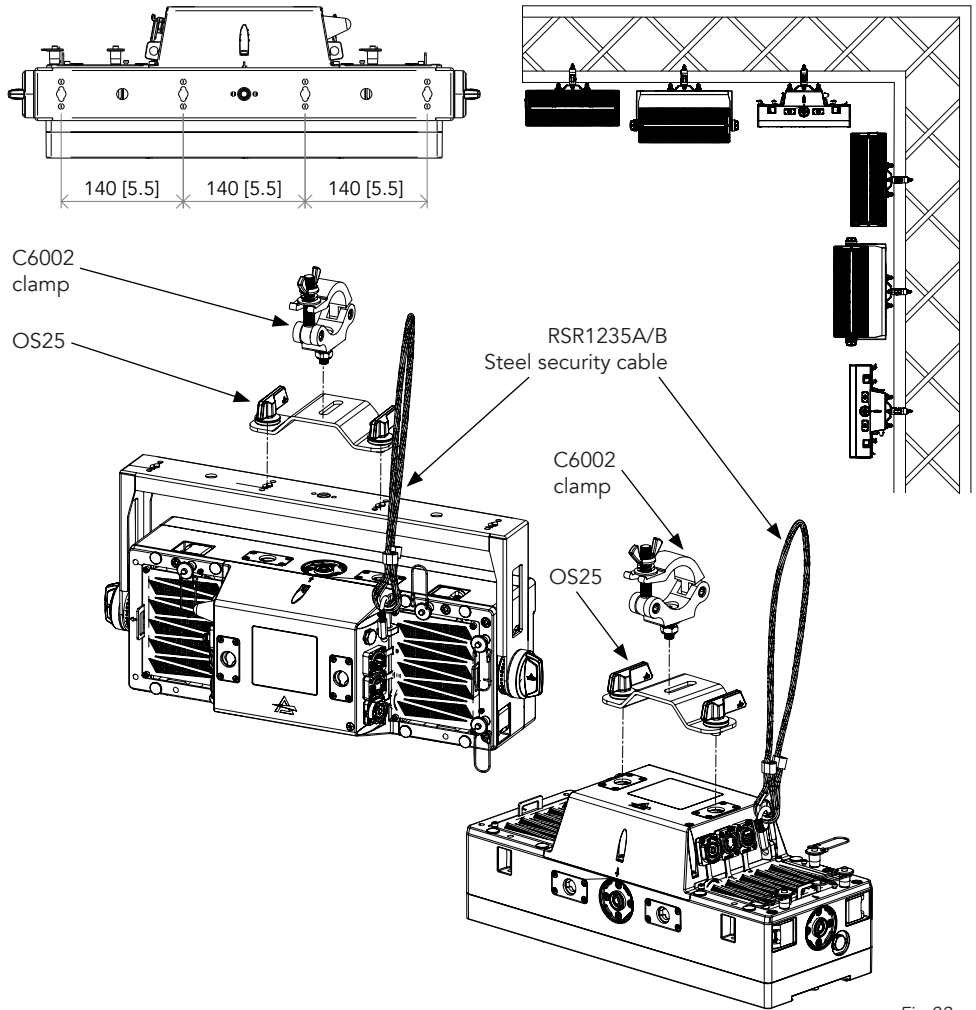


Fig.02


## 4 - CONNECTION TO THE MAINS SUPPLY

**WARNING:** For protection from electric shock, the fixture must be earthed!

The product is equipped with auto-switching power supply that automatically adjusts to any 50-60Hz AC power source from 100-240 Volts.

If you need to install a power plug on the power cable to allow connection to power outlets, install a grounding-type (earthed) plug, following the plug manufacturer's instructions. If you have any doubts about proper installation, consult a qualified electrician.

The max power consumption is: 1200W (strobe), 400W (static).

Core (EU)	Core (US)	Connection	Plug terminal marking
Brown	Black	Live	L
Blue	White	Neutral	N
Yellow+green	Green	Earth	

## 5 - START UP

### CONNECT AND DISCONNECT POWER FROM THE PRODUCT

To apply and disconnect power to the product:

- Check that the product is installed and secured as indicated in the Safety Informations, and that personal safety will not be put at risk when the fixture lights up.
- Connect the power connector into the Mains input socket (100-240 VAC-50/60 Hz).
- The product is then ready for its operations and can be controlled through the available input signals on board.
- To disconnect power from the product, disconnect the Mains from the socket.

## 6 - PRODUCT OVERVIEW

1. POWER IN: for connection to the Mains 100-240V~/50-60Hz.
2. DMX IN (5-p XLR): 1 = GND, 2 = sign-, 3 = sign+, 4 N/C, 5 N/C.
3. ETHERCON CONNECTORS IN / OUT signal.
4. ANTENNA of Wireless DMX Receiver internal module.
5. POWER OUT: power output for connection of multiple units in series.
6. DMX OUT (5-p XLR): 1 = GND, 2 = sign-, 3 = sign+, 4 N/C, 5 N/C.
7. GORE VALVE.
8. MALE / FEMALE MECHANICS: for matrix mounting of multiple units.
9. SECURITY PINS: for lock and unlock the mechanics.
10. SAFETY HOLE: for safety cable insertion.
11. USER INTERFACE with display and buttons for access to the control panel functions.
12. SBLFLXB01H: Included tiltable bracket for installations.
13. FRONTAL ACCESSORIES LOCK SYSTEM: to insert frontal accessories.

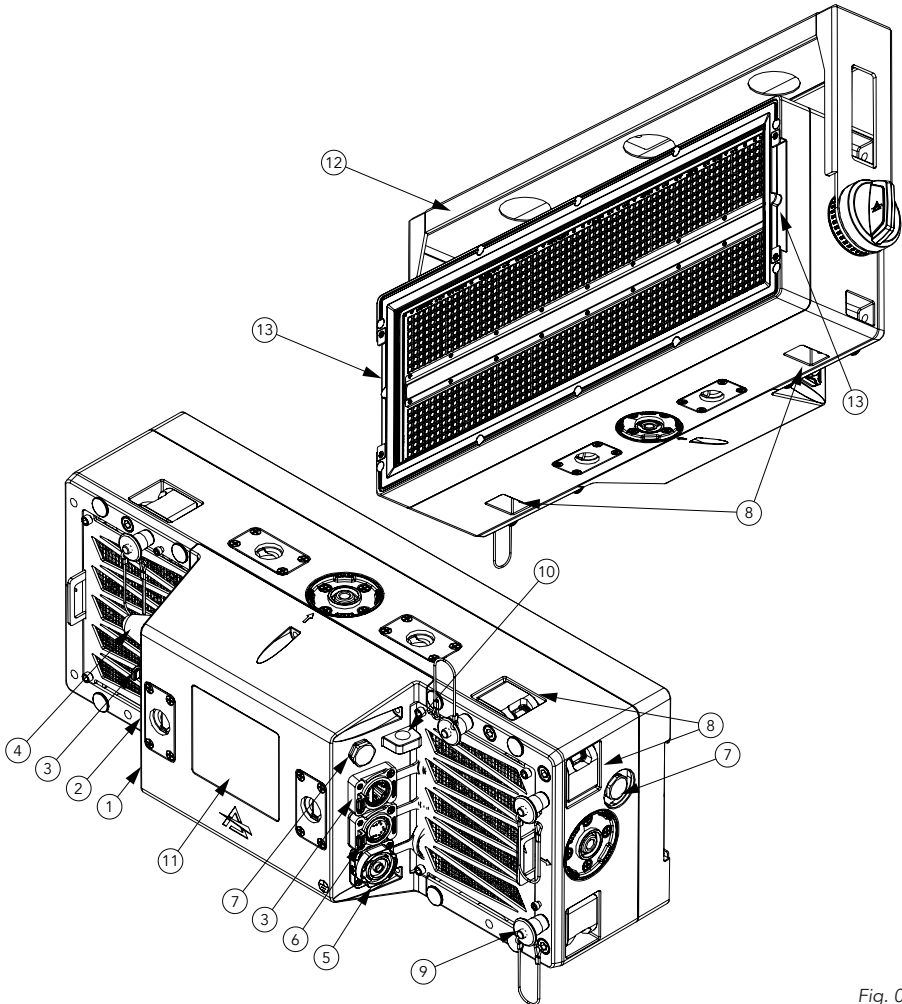


Fig. 03

# 7 - DMX CONNECTION

## CONNECTION OF THE CONTROL SIGNAL: DMX LINE

The product has XLR sockets for DMX input and output.  
The default pin-out on both socket is as the following diagram:

**DMX - INPUT  
XLR plug**



Pin1 : GND - Shield  
Pin2 : - Signal  
Pin3 : + Signal  
Pin4 : N/C  
Pin5 : N/C

**DMX - OUTPUT  
XLR socket**

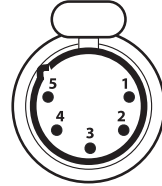


Fig. 04

## INSTRUCTIONS FOR A RELIABLE DMX CONNECTION

Use shielded twisted-pair cable designed for RS-485 devices: standard microphone cable cannot transmit control data reliably over long runs. 24 AWG cable is suitable for runs up to 300 meters (1000 ft). Heavier gauge cable and/or an amplifier is recommended for longer runs.  
To split the data link into branches, use splitter-amplifiers in the connection line.  
Do not overload the link. Up to 32 devices may be connected on a serial link.

## CONNECTION DAISY CHAIN

Connect the DMX data output from the DMX source to the product's DMX input (male XLR connector). Run the data link from the product's DMX output (female XLR connector) to the DMX input of the next fixture.

Terminate the data link by connecting a 120 Ω termination resistor. If using a splitter, terminate each branch of the link. Install a DMX termination plug on the last fixture in the link.

## CONNECTION OF THE DMX LINE

DMX connection employs standard XLR connectors. Use shielded pair-twisted cables with 120Ω impedance and low capacity.

The following diagram shows the connection mode:

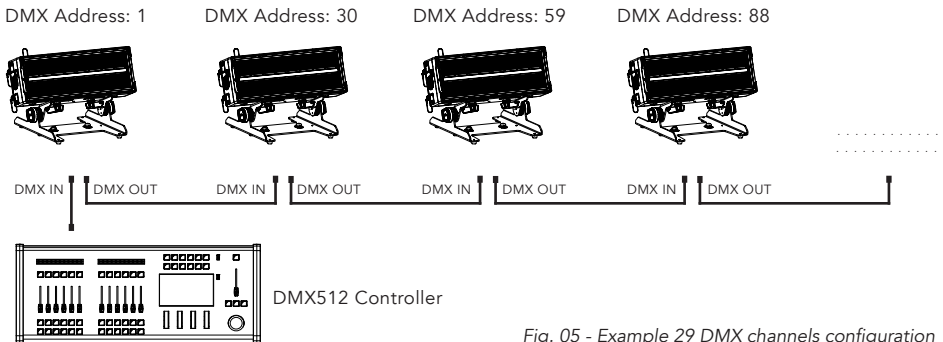


Fig. 05 - Example 29 DMX channels configuration

## CONSTRUCTION OF THE DMX TERMINATION

The termination is prepared by soldering a 120Ω 1/4 W resistor between pins 2 and 3 of the male XLR connector, as shown in figure.

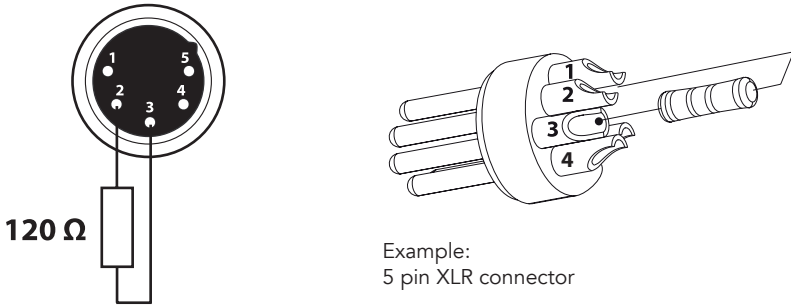


Fig. 06

## DMX ADDRESSING

To start controlling the product via DMX, the first step is to select a DMX address, also known as the start channel. This is the first channel used to receive instructions from a DMX controller. To control multiple fixtures individually, assign a unique starting address to each fixture.

The number of channels used by the fixture depends on the selected DMX mode, so always check the DMX Mode in the MENU before setting the address.

If two fixtures are assigned the same address, they will behave identically. Assigning the same address to multiple fixtures can be helpful for diagnostic purposes and symmetrical control.

DMX addressing is limited to ensure there are enough control channels available for the fixture.

To set the fixture's DMX address:

1. Press MENU to open the main menu.
2. Navigate to the addressing menu, then select the DMX ADDRESS settings.
3. Choose an address from 1 to 512 using the navigation arrows/buttons and confirm by pressing ENTER.
4. Press Menu to exit and return to the Home screen.

## ETHERNET CONNECTION

The product is equipped with two 8-pin RJ-45 sockets for Ethernet input/output, allowing for a simple daisy-chain connection to the network. It supports control via ArtNet/sACN communication protocols. Use a Category 5 network cable (with four twisted wire pairs) and standard RJ-45 connectors.

## ETHERNET OPERATION

section in this document for detailed information about setting parameters on the fixture, including Protocol, Net, Subnet, Universe, Start Channel, IP Address, and Ethernet to DMX (No/Yes).

- IP addresses recommended: 002.xxx.xxx.xxx or 010.xxx.xxx.xxx.
- The submask net is fixed at 255.0.0.0.



## ETHERNET TO DMX OPERATIONS

Refer to the MENU STRUCTURE section in this document for detailed information.

This function enables the fixture to receive an Ethernet signal and retransmit it onto a DMX line through its onboard XLR output.

- An Ethernet protocol (Artnet, sACN or others available) has to be enabled from Ethernet menu at first fixture. **Ensure that the wireless receiver is set to OFF when using Ethernet communication.**
- Enable the option Ethernet To DMX choosing which fixture needs to be retransmitted (Main Fixture or Pixel Engine) from the Ethernet menu at the first product (connected to the Ethernet) in the signal chain, next products have standard DMX setting.
- Connect the Ethernet input of the first product in the data chain with the network. Connect the DMX output of this product with the input of the next product until all products are connected to the DMX chain.
- Caution: At the last product, the DMX chain has to be terminated with a terminator. Solder a 120Ω resistor between Signal(-) and Signal(+) into a XLR-plug and connect it in the DMX-output of the last product.

## OPERATION AS A WIRELESS TRANSMITTER

SUNBLASTFLX can be used as wireless transmitter to transmit DMX signal to different wireless receivers. To use SUNBLASTFLX as wireless transmitter, please follow the procedure below:

1. Push ENTER button until you show CONNECT on display, then press ENTER button to confirm.
  2. Use UP/DOWN buttons for select WIRELESS, then press ENTER to confirm.
  3. Push ENTER button on CRMX ON/OFF function and enable it to ON.
  4. Select CRMX mode and set it on Transmitter (please note that CRMX mode will be available only if CRMX ON/OFF is set to ON).
  5. Ensure that the receiver units are not connected to any other transmitter. Please refer to "Reset the receiver" paragraph.
  6. Enable TX LINK to ON to link transmitter to receivers (please note that TX LINK will be available only if CRMX mode is set to Transmitter).
- The transmitter scans for all unlinked receivers for a period of about 5 seconds.
  - If the connection fails, check the position of the receiver.
  - The wireless icon on the receiver display indicates the received signal strength.

### Unlinking the transmitter

Follow the procedure below to unlink the transmitter from all receivers connected with the unit.

1. Push ENTER button until you show CONNECT on display, then press ENTER button to confirm.
  2. Use UP/DOWN buttons for select Wireless, then press ENTER to confirm.
  3. Enable TX UNLINK to ON (please note that TX UNLINK will be available only if CRMX mode is set to Transmitter).
- All connected receivers will be unlinked.

## CHANGING TX PROTOCOL

To change TX protocol, use the following procedure:

1. Perform "TX Unlink" on SUNBLASTFLX.
2. Perform an "RX Unlink" on the device you want to connect as a receiver.
3. Set the TX protocol you want to use (G3,G4S,CRMX) on SUNBLASTFLX.
4. Power Cycle SUNBLASTFLX and restart it
5. Perform a "TX Link" on SUNBLASTFLX to link to the receiver

## IN TO CRMX

This function enable or disable the transmission through wireless of the DMX signal from the transmitter side to the receiver.

Any incoming signal (ArtNet, sACN or DMX) is retransmitted through wireless. It's possible to choose retransmission of Main Fixture or Pixel Engine.

If the SUNBLASTFLX protocol selected is ArtNet / sACN, the CRMX module will retransmit the DMX values contained in the ArtNet / sACN signal received from the SUNBLASTFLX.

**NOTE:** Artnet and sACN have higher priority on DMX if they are connected to transmitter.

**NOTE:** Do not use IN TO CRMX and ETH TO DMX simultaneously, this will cause data conflict on DMX output signal.

## OPERATION AS A WIRELESS RECEIVER

SUNBLASTFLX can be used as wireless receiver connected to a wireless transmitter.

To use SUNBLASTFLX as wireless receiver, please follow the procedure below:

1. Push ENTER button until you show CONNECT on display, then press ENTER button to confirm.
2. Use UP/DOWN buttons for select Wireless, then press ENTER to confirm.
3. Push ENTER button on CRMX ON/OFF function and enable it to ON.
4. Select CRMX mode and set it on Receiver (please note that CRMX mode will be available only if CRMX ON/OFF is set to ON).
5. Enable RX RESET to ON to reset the receiver (please note that RX RESET will be available only if CRMX mode is set to Receiver).
6. On the transmitter, enable TX LINK to ON to link transmitter to the receivers.
7. If the connection is successful and DMX input is available the display on the receiver unit will show the DMX address. If DMX signal is not available, the display will show "No signal" but keeps the transmitter linked.
8. If the connection fails, check the position of the receiver.
9. The wireless icon on the receiver display indicates the received signal strength.

### Reset the receiver

Follow the procedure below to reset the receiver.

1. Push MENU button until you show CONNECT on display, then press ENTER button to confirm.
2. Use UP/DOWN buttons for select Wireless, then press ENTER to confirm.
3. Enable RX RESET to ON.
  - The wireless icon on the receiver display indicates the received signal strength.

## CRMX TO DMX (RX)

This function enable or disable the retransmission of the wireless DMX signal received through the DMX port on the receiver side.

## 8 - CONTROL PANEL

The product has a display, buttons and pushable encoders for access to the control panel functions.

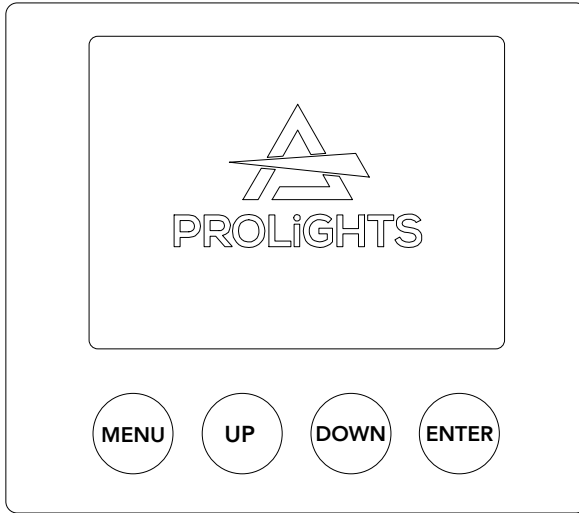






Fig. 07

### DISPLAY AND BUTTONS LAYOUT

The product has a display and buttons for access to the control panel functions:

	<ul style="list-style-type: none"><li>Used to access the menu tree and to return to the upper level. Hold to go back to the home screen.</li></ul>
	<ul style="list-style-type: none"><li>Browse upwards through the menu list and increases the numeric value displayed.</li></ul>
	<ul style="list-style-type: none"><li>Browse downwards through the menu list and decreases the numeric value displayed.</li></ul>
	<ul style="list-style-type: none"><li>Used to confirm the displayed value, or activate the displayed function.</li></ul>

### SHORTCUT

Keys	Mode	Description
"UP + DOWN after power on"	Flip Display	Directly flip display without enter inside menu
ENTER (3 sec)	Standalone Mode	Direct access to Standalone menu (when no DMX signal)
"MENU + UP then power on"	Factory Reload	Factory Default

# 9 - MENU STRUCTURE

The following chart describes the MENU tree of the product, the terms shown in **BOLD** indicate the default settings. Functionalities with the "(WIP)" description are still under development.

**NOTE:** The terms marked with "\*" will be available soon.

## MENU: CONNECT

LEVEL 1	LEVEL 2	LEVEL 3	LEVEL 4	LEVEL 5	DESCRIPTION
DMX ADDRESS	MAIN + WHITE BEAM	<b>DMX</b>	1-512		Set DMX Address for Main fixture
		ARTNET			
SACN					
RGBW PIXELS	<b>FOLLOW FIXTURE</b>	<b>DMX</b>	1-512		Set DMX Address for Pixel Engine
		ARTNET			
		sACN			
		sACN+ARTNET			
DMX MODE	STROBE				
	BASIC				
	STANDARD 1	WHITE BEAM: <b>SINGLE</b> 12 PIX	RGBW PIXELS <b>OFF</b> 4 PIX 8 PIX 16 PIX		Configures the main DMX mode of the fixture. After selecting the main mode, it is possible to enable pixel-to-pixel control for the BEAM LEDs, which will be appended to the main mode. Additionally, pixel-to-pixel control for PIXEL LEDs can be enabled, requiring these sources to be patched separately as a pixel engine.
	STANDARD 2				
	FX 1				
	<b>FX 2</b>				
	EXTENDED 1				
	EXTENDED 2				
	PIXELS ONLY				
	WIRELESS	CRMX ON/OFF	ON		
<b>OFF</b>					
CRMX MODE		TX CRMX			Allows configuration of the wireless card as either a Transmitter or Receiver. G4s and G3 are supported protocols for connection with Wireless Solution products.
		TX G4S			
		TX G3			
		<b>RX</b>			
TX LINK		ON			Enables the transmission link when the unit is set as a Transmitter.
		OFF			
TX UNLINK		ON			Disconnects the transmitter from all connected receivers. TX Unlink can only be used when the unit is in Transmitter mode in CRMX settings.
		OFF			
RX RESET	ON			Disconnects the CRMX card, set as a Receiver, from any connected transmitters.	
	OFF				
IN TO CRMX (TX)	<b>ON</b>			Enable/Disable the transmission of the DMX from the transmitter to the receiver via CRMX	
	OFF				

## MENU: CONNECT

LEVEL 1	LEVEL 2	LEVEL 3	LEVEL 4	LEVEL 5	DESCRIPTION
WIRELESS	CRMX TO DMX (RX)	<b>ON</b>			Enable/Disable the retransmission of the DMX from the receiver to the other units connected by cable to the receiver itself
		OFF			
	LINKING KEY	ON	SET LINKING KEY	8 digit code	RX MODE: Linking key section available only in RX mode. TX MODE: When in TX mode, message on screen: "Linking Key available only in RX Mode"
		<b>OFF</b>			
	UNIVERSE METADATA	NAME	xxx		RX Mode: received from TX; TX CRMX Mode: default first 16 characters of Model Name: (DEVICELABEL-Last 4 digit of RDM UID)
		COLOR	RED	Universe Color can be set only if CRMX Mode@TX;  If CRMX Mode@RX, Universe Color shows the one set on the TX	
			FIRE		
			YELLOW		
			<b>GREEN</b>		
			EMERALD		
OCEAN					
BLUE					
DEEP PURPLE					
COOL WHITE					
LINK STRENGTH	** %			Show Wireless quality by percentage	
CRMX CARD VERSION	TimoFX: Vx.x.xx			Show firmware version of TimoFX module	
ETHERNET SETTINGS	ARTNET SETTINGS	FIXTURE	IP ADDRESS	xxx.xxx.xxx. xxx	Set IP Address for ArtNet usage.
			SUBNET MASK	255.xxx.xxx. xxx	Set SubNet Mask for ArtNet usage.
			NET	0-127	Set Net used for ArtNet, value from 0 to 127
			SUBNET	0-15	Set SubNet used for ArtNet, value from 0 to 15
			UNIVERSE	0-15	Set Universe used for ArtNet, value from 0 to 15
		PIXELS	IP ADDRESS	xxx.xxx.xxx. xxx	Set IP Address for ArtNet usage.
			SUBNET MASK	255.xxx.xxx. xxx	Set SubNet Mask for ArtNet usage.
			NET	0-127	Set Net used for ArtNet, value from 0 to 127
			SUBNET	0-15	Set SubNet used for ArtNet, value from 0 to 15
			UNIVERSE	0-15	Set Universe used for ArtNet, value from 0 to 15
	sACN SETTINGS	FIXTURE	IP ADDRESS	xxx.xxx.xxx. xxx	Set IP Address for ArtNet usage.
			UNIVERSE	1-16	
			MERGE MODE	OFF	Toggle and Set Merge mode for sACN.
				HTP	
				LTP	

### MENU: CONNECT

LEVEL 1	LEVEL 2	LEVEL 3	LEVEL 4	LEVEL 5	DESCRIPTION	
ETHERNET SETTINGS		PIXELS	IP ADDRESS	xxx.xxx.xxx. xxx	Set IP Address for ArtNet usage.	
			UNIVERSE	1-16		
			MERGE MODE	OFF	Toggle and Set Merge mode for sACN.	
				HTP		
				LTP		
	ETHERNET TO CRMX	<b>ON</b>				Enables retransmission of the Ethernet signal over CRMX.
		OFF				
ETHERNET TO DMX	<b>ON</b>				Enables retransmission of the Ethernet signal over a standard DMX cable. A slight time delay may occur on the DMX line.	
	OFF					

### MENU: SETUP

LEVEL 1	LEVEL 2	LEVEL 3	LEVEL 4	LEVEL 5	DESCRIPTION	
SCREEN	BACKLIGHT	ALWAYS ON			Sets the time after which the display will automatically turn off when inactive.	
		<b>10S</b>				
		20S				
		30S				
	FLIP DISPLAY	ON				Enables the display to be rotated by 180°.
		<b>OFF</b>				
	KEY LOCK	ON				Lock the buttons on the control panel with a password. To access the user menu, enter the following button sequence (password): UP, DOWN, UP, DOWN, ENTER.
		<b>OFF</b>				
	DISPLAY VALUE	RAW DATA				Choose how to show datas on Stand Alone Modes: In percentage mode values will be shown as 0-100%. In Raw Data mode values will be shown as 0-255.
		<b>PERCENTAGE</b>				
TEMP. UNIT	°C					
	°F					
DIMMER	DIMMER CURVE	LINEAR			Check pag.23 for further details	
		S-CURVE				
		<b>SQUARE LAW</b>				
		INVERSE SQUARE LAW				
		HIGH RES@LOW				
	DIMMER SPEED	<b>AUTO</b>				Check pag. 24 for further details
		FAST				
		MEDIUM				
		SLOW				
		OFF				
DIMMER END	<b>FADE OFF@END</b>				Defines how the light turns off: FADE OFF@END for a smooth fade-out, or SNAP OFF@END for an instant off.	
	SNAP OFF@END					

### MENU: SETUP

LEVEL 1	LEVEL 2	LEVEL 3	LEVEL 4	LEVEL 5	DESCRIPTION	
FIXTURE	FAN MODE	<b>CONSTANT OUTPUT</b>	AUTO		Check pag.22 for further details	
			HIGH			
			SILENT1			
			SILENT2			
			OFF			
		DYNAMIC OUTPUT	AUTO			
			HIGH			
			SILENT1			
			SILENT2			
			OFF			
	DMX FAULT	<b>HOLD</b>	BLACKOUT		Defines fixture behavior on DMX signal loss: HOLD (keep last state), BLACKOUT (turn off), STAND ALONE (run internal program), or EMERGENCY (activate emergency mode with white output).	
			STAND ALONE			
EMERGENCY						
INVERT MAPPING	<b>OFF</b>			Normal pixel mapping		
		INVERT PLATE			Invert plate pixels only	
		INVERT BEAM			Invert beam pixel only	
		INVERT ALL			Invert all pixels (all fixture)	
USER SETTINGS	PRESET 1	SAVE			Allows users to store all fixture settings, similar to a configuration file. Up to 5 presets can be saved.	
	PRESET 2					
	PRESET 3					RECALL
	PRESET 4					DELETE
	PRESET 5					
TRANSFER SETTING	WITHOUT DMX ADDRESS				Transfer settings from the current fixture to another fixture of the same model using the DMX protocol. If a signal from another source is present, the Transfer Configuration function will not be available.	
	WITH DMX ADDRESS					

### MENU: ADVANCED

LEVEL 1	LEVEL 2	LEVEL 3	LEVEL 4	LEVEL 5	DESCRIPTION
SPEKTRA CALIBR.	ON				Check pag.23 for further details
	<b>PURE COLORS</b>				
	OFF				
LED MODE	HIGH QUALITY				LED MODE selects between HIGH QUALITY for enhanced light quality with higher CRI but lower output, and HIGH BRIGHTNESS for maximum output with slightly reduced light quality.
	<b>HIGH BRIGHTNESS</b>				
WHITE POINT	3200K				This setting defines the target white balance of the fixture by allowing selection of a specific white point, ranging from 3200K to 8000K, or OFF. Selecting a white point ensures a consistent white tone when all color channels are at full intensity, adjusting for any potential color cast. When set to OFF, the white may appear uncalibrated, reflecting the natural balance of the LEDs.
	4000K				
	<b>5600K</b>				
	6000K				
	8000K				
	OFF				

### MENU: ADVANCED

LEVEL 1	LEVEL 2	LEVEL 3	LEVEL 4	LEVEL 5	DESCRIPTION
LED FREQUENCY	600HZ				Select PWM frequency. <i>NOTE: Using higher LED Frequency color accuracy may be slightly compromised at low level of dimmer.</i>
	1200HZ				
	2000HZ				
	4000HZ				
	6000HZ				
	<b>25KHZ</b>				
TEST	PLATE 1				The device will perform a sequence to test the selected function.
	PLATE 2				
	PLATE 1+2				
	TUBE				
	ALL				
FACTORY RELOAD	STANDARD	<b>OFF</b>			Default of all parameters excepted Calibration
		ON			
	USER PRESET	<b>OFF</b>			Delete all USER PRESETS stored
		ON			

### MENU: INFORMATIONS

LEVEL 1	LEVEL 2	LEVEL 3	LEVEL 4	LEVEL 5	DESCRIPTION
FIXTURE TIME	FIXTURE HOURS	<65535H>			View informations about product operating lifetime. Fixture Hours is counterded based on general operation time. Hours are counterded since Power is plugged in. Source Hours is counterded based on LED Activity time
	CURRENT HOURS	<65535H>			
	SOURCE HOURS	<65535H>			
	AC POWER ON CYCLE	<65535H>			
	MAINTENANCE TIME	ELAPSED TIME			
ALERT PERIOD		10 - 1000			
POWER CONS.	** W				Show estimated power consumption
TEMP.	LED1 xx C°				
	[...]				
FAN SPEED	FAN1 [...]				Show all FAN speeds.
CHANNEL VALUE					Show all Channel values as a list, value shown depends on DMX Mode
ERROR MESSAGE					Show error message
DEVICE LABEL	SUNBLASTFLX	(EDIT LABEL)			Show RDM Label. Can be edited
DEVICE MODEL	SUNBLASTFLX				Show RDM fixture model
RDM UID	15D0*****				Show RDM UID of the fixture.
SOFTWARE VERSION	V1.0.00...				Show firmware version of the fixture



**MENU: STAND ALONE**

LEVEL 1	LEVEL 2	LEVEL 3	LEVEL 4	LEVEL 5	DESCRIPTION
MASTER/SLAVE	MASTER DMX				
	MASTER NO DMX				
	<b>SLAVE</b>				
TOUR FX	PLATE FX 1-xx	PATTERN SPEED			<i>Default value: 128</i>
		PATTERN FADE			<i>Default value: 0</i>
		PATTERN TRANSITION			
		F.G. INTENSITY			<i>Default value: 255</i>
		F.G. STROBE			<i>Default value: 255</i>
		F.G. RED			<i>Default value: 255</i>
		F.G. GREEN			<i>Default value: 0</i>
		F.G. BLUE			<i>Default value: 0</i>
		F.G. WARM WHITE			
		B.G. INTENSITY			<i>Default value: 255</i>
		B.G. STROBE			<i>Default value: 255</i>
		B.G. RED			<i>Default value: 0</i>
		B.G. GREEN			<i>Default value: 0</i>
		B.G. BLUE			<i>Default value: 255</i>
	B.G. WARM WHITE			<i>Default value: 0</i>	
	BEAM FX 1-xx	PATTERN SPEED			<i>Default value: 128</i>
		PATTERN FADE			<i>Default value: 0</i>
		PATTERN TRANSITION			
		F.G. INTENSITY			<i>Default value: 255</i>
		F.G. STROBE			<i>Default value: 255</i>
		B.G. INTENSITY			<i>Default value: 255</i>
		B.G. STROBE			<i>Default value: 255</i>
	CCT	DIMMER	0-255		
CCT		From 2200K to 15000K (50°K jump)			
GMP		From -0.25 to +0.25			
HSI	Hue	0-255			<i>Default value: 0</i>
	Saturation	0-255			<i>Default value: 0</i>
	Intensity	0-255			<i>Default value: 255</i>
FIXED COLORS	DIMMER	0-255			<i>Default value: 255</i>
	FIXED	R			
		G			
		B			
		W			
		RG			
		RB			
		RW			

**MENU: STAND ALONE**

LEVEL 1	LEVEL 2	LEVEL 3	LEVEL 4	LEVEL 5	DESCRIPTION
FIXED COLORS	FIXED	GB			
		GW			
		BW			
		RGB			
		RGW			
		RBW			
		GBW			
		RGBW			
WHITE PRESETS	DIMMER	0-255			<i>Default value: 255</i>
	CCT	2700K			
		2800K			
		3200K			
		3500K			
		4000K			
		4500K			
		5000K			
		5600K			
		6000K			
		6500K			
		7000K			
		7500K			
		8000K			
		8500K			
		9000K			
9500K					
10000K					
GMP	From -0.25 to +0.25			<i>Default value: 0</i>	
COLOR MACRO	DIMMER	0-255			<i>Default value: 255</i>
	COLOR				<i>Check Color Macro channel page 33</i>
MANUAL COLORS	DIMMER	0-255			<i>Default value: 255</i>
	RED	0-255			<i>Default value: 255</i>
	GREEN	0-255			<i>Default value: 255</i>
	BLUE	0-255			<i>Default value: 255</i>
	WHITE	0-255			<i>Default value: 255</i>

# DIMMER CURVES

Five dimming modes are available:

1. **LINEAR** - Light intensity increases proportionally to the DMX value, creating a linear perception.
2. **S-CURVE** - Light intensity is finer at low and high levels, with coarser control at mid-levels.
3. **SQUARE LAW** - Light intensity is finer at low levels and becomes coarser at higher levels.
4. **INVERSE SQUARE LAW** - Light intensity is coarser at low levels and finer at higher levels.
5. **HIGHRES@LOW** - Provides very fine control at low light intensities, with coarser control at medium and high levels.

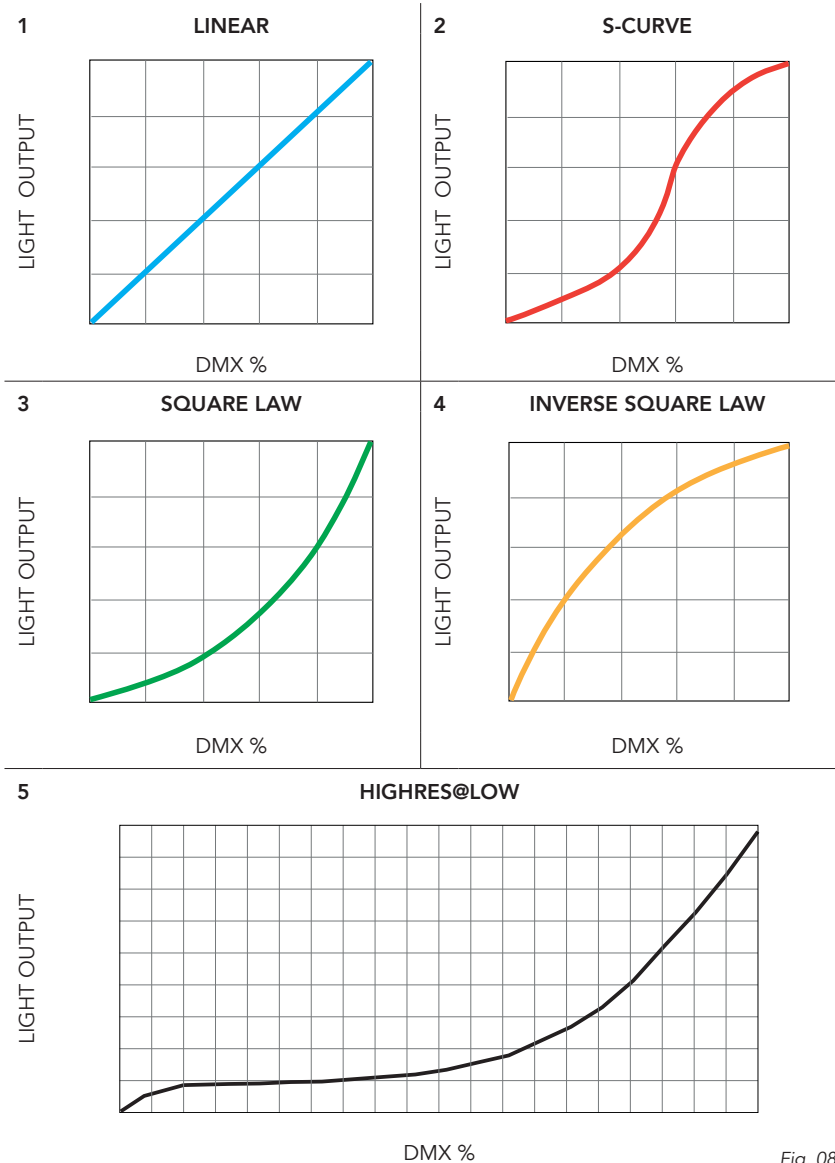


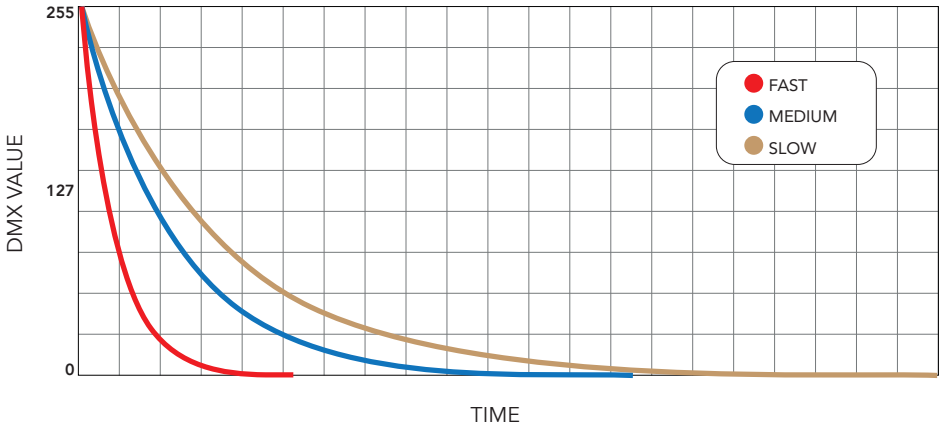
Fig. 08

## DIMMER SPEEDS

Five dimming speeds are available:

1. **AUTO** - When the DMX value changes by more than 50 DMX values, the intensity will instantly adjust to the new value. For changes less than 50 DMX values, the fast dimming curve will be applied.
2. **FAST** - Indicates the fast speed dimming curve. Refer to the diagram for reference.
3. **MEDIUM** - Indicates the medium speed dimming curve. Refer to the diagram for reference.
4. **SLOW** - Indicates the slow dimming curve. Refer to the diagram for reference.
5. **OFF** - The intensity will immediately adjust to the new value (essentially no delay effect).

**DIMMER SPEED BEHAVIOUR**



## FAN MODE

MODE		MAX POWER	FAN SPEED
Constant Output	Auto	100%	Variable from 0% to 100% according to the led temperature to keep constant output.
	On	100%	Fixed Speed: 3000 RPM
	Off	10%	Fixed Speed: 0 RPM
	Silent 1	50%	Fixed Speed: 2300 RPM
	Silent 2	40%	Fixed Speed: 1600 RPM
Dynamic Output	Auto	100%	Variable from 0% to 100% according to the led temperature to keep constant output.
	On	Up to 100%	Fixed Speed: 3000 RPM
	Off	Starts from 100% Max drop -90%	Fixed Speed: 0 RPM
	Silent 1	Starts from 100% Max drop -50%	Fixed Speed: 2300 RPM
	Silent 2	Starts from 100% Max drop -60%	Fixed Speed: 1600 RPM

### NOTE

Fan settings through the "Control Channel" are saved permanently on the device. They can be changed again via the "Control Channel" or through the menu;

## USER SETTINGS

This function allows the fixture to store and manage custom settings, which are saved as user presets. Factory default settings will not overwrite these saved presets, preserving each user's configuration.

- **SAVE** - Available when a preset slot is empty, enabling users to save the current fixture settings into that slot. Up to five presets can be saved for quick recall of different configurations.
- **RECALL** - Loads the settings stored in a selected preset slot, applying them to the fixture and making it easy to switch between saved configurations as needed.
- **DELETE** - Clears the selected preset slot, freeing it up for a new save. Deleting a preset does not impact any other saved presets or factory settings.

## SPEKTRA CALIBRATION

This fixture is equipped with Spektra OS, offering advanced settings for multiple color space modes, as outlined below:

- **ON** - CCT and colors are fully calibrated, working in the common color space definition set by Spektra. This means that output of multiple fixtures will match with no visible differences. Color Saturation is slightly reduced.
- **PURE COLOURS** - CCT is calibrated, giving perfect white matching across multiple fixtures, but primary and secondary colors are calibrated to their native color space which allows maximum color saturation. The closer you move towards white, the more closely multiple fixtures will match each other's output. The further you move away from white and the closer you move towards saturated color, the less closely multiple fixtures will match each other's output.
- **OFF** - CCT doesn't guarantee High CRI Values and color output of one fixture may or may not closely match that of other fixtures.

## MASTER/SLAVE

The MASTER/SLAVE function enables the fixture to operate in standalone mode, where it must be set to MASTER. When configured correctly, this allows one fixture to control multiple fixtures in a daisy chain setup, ensuring synchronized operation. Below are the available modes:

- **MASTER DMX** - The fixture operates as the master, with standalone mode active, and transmits the same standalone functionality via DMX to other fixtures in the daisy chain.
- **MASTER NO DMX** - The device works as master but does not transmit the DMX signal to the other devices connected in the daisy chain.
- **SLAVE** - The fixture remains in standby, waiting to receive a signal from another device set to MASTER DMX. If a standalone mode is selected on the fixture, it will automatically switch to MASTER NO DMX.saved presets or factory settings.

# COMBINE PIXEL AND MAIN ENGINES

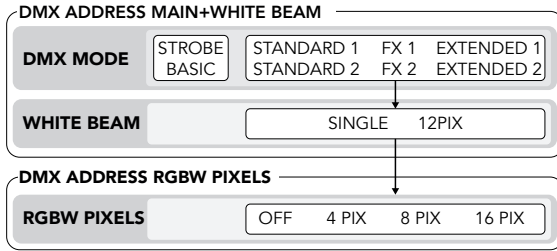
The Fixture engine provides the following DMX operating modes:

- **STROBE | BASIC (with no pixels)**
- **STANDARD 1 | STANDARD 2 | FX 1 | FX 2 | EXTENDED 1 | EXTENDED 2**

The Pixel engine offers two modes:

- **4 PIX | 8 PIX | 16 PIX**

When setting the DMX mode, the fixture allows for configuring the operating method by selecting the DMX MODE of the main engine first. Afterward, the fixture will prompt for the WHITE BEAM mode, asking if they should be set to SINGLE or 12 PIX.



The chosen configuration for the hard LEDs will then follow the DMX mode of the main engine.

Next, the fixture will ask for the RGBW PIXELS ENGINE mode, with this options:  
 • **OFF (inactive) | 4 PIX | 8 PIX | 16 PIX**

For example, if FX2 mode is selected, with WHITE BEAM set to 12PIX and RGBW PIXELS set to 16 PIX, the console will need to patch the FX2+12PIX mode (with 12 white LEDs following the main mode as simple dimmer) and separately patch the RGBW 16 PIXELS mode.

With the pixel engine patched separately, the RGBW PIXELS LEDs can be assigned and controlled using a different DMX address or protocol. This setup makes it possible to control the main engine and WHITE BEAMS LEDs via a DMX console, while the RGBW PIXELS LEDs can be controlled using pixel mapping through a media server on ArtNet or sACN.

To activate the pixel engine on the fixture’s main engine, the **XFADE TO PIXEL ENGINE** channel is available.

- At DMX value 000, the fixture uses pixel control via the selected DMX base mode.
- At 255, the pixel control switches, allowing the signal from the protocol used by the pixel engine (e.g., ArtNet or sACN) to control the pixels.

**EXAMPLE:**

Main DMX mode	White Beam mode	RGBW Pixels mode	Channels
<b>FX2</b> 42 ch	<b>12 PIX</b> 12 ch	<b>16 PIX</b> 64 ch	<b>MAIN + BEAM 54 ch</b> <b>RGBW PIXELS ENGINE 64 ch</b> following main+beam or can be assigned to a different source
<b>FX2</b> 42 ch	<b>OFF</b> 0 ch	<b>16 PIX</b> 64 ch	<b>MAIN + BEAM 42 ch</b> <b>RGBW PIXELS ENGINE 64 ch</b> following main+beam or can be assigned to a different source

# 10 - DMX CHARTS

RDM Model ID: 0xD161

## RDM Personality ID List

ID	DMX Mode	Footprint
1	STROBE	7CH
2	BASIC	13CH
3	STANDARD 1	21CH
4	STANDARD 2	32CH
5	FX 1	29CH
6	FX 2	37CH
7	EXTENDED 1	47CH
8	EXTENDED 2	60CH

## DMX BASIC MODES

PARAMETER	STROBE (7ch)	BASIC (13ch)
DIMMER	1	1
STROBE	2	2
STROBE DURATION	3	3
STROBE RATE	4	4
RED	-	5
GREEN	-	6
BLUE	-	7
WHITE	-	8
BEAM DIMMER	5	9
BEAM STROBE	-	10
BEAM STROBE DURATION	-	11
BEAM STROBE RATE	-	12
COLOR MACRO	6	-
CONTROL	7	13

### NOTE

In these modes the Pixel engine is not allowed

## DMX PIXEL MODES

PARAMETER		STD 1 (19ch)	STD 2 (36ch)	FX 1 (32ch)	FX 2 (42ch)	EXT.1 (47ch)	EXT.2 (60ch)
<b>MASTER</b>	DIMMER	-	-	-	1	1	1
	DIMMER FINE	-	-	-	2	2	2
	STROBE	-	-	-	-	3	3
	STROBE DURATION	-	-	-	-	4	4
	STROBE RATE	-	-	-	-	5	5
<b>ALL PLATE / TOP PLATE</b>	DIMMER	1	1	1	3	6	6
	DIMMER FINE	2	2	2	4	7	7
	STROBE	3	3	3	5	8	8
	STROBE DURATION	-	4	4	6	9	9
	STROBE RATE	-	5	5	7	10	10
	RED	4	6	6	8	11	11
	RED FINE	5	7	7	9	12	12
	GREEN	6	8	8	10	13	13
	GREEN FINE	7	9	9	11	14	14
	BLUE	8	10	10	12	15	15
	BLUE FINE	9	11	11	13	16	16
	WHITE	10	12	12	14	17	17
	WHITE FINE	11	13	13	15	18	18
<b>BOTTOM PLATE</b>	DIMMER	-	14	-	-	-	19
	DIMMER FINE	-	15	-	-	-	20
	STROBE	-	16	-	-	-	21
	STROBE DURATION	-	17	-	-	-	22
	STROBE RATE	-	18	-	-	-	23
	RED	-	19	-	-	-	24
	RED FINE	-	20	-	-	-	25
	GREEN	-	21	-	-	-	26
	GREEN FINE	-	22	-	-	-	27
	BLUE	-	23	-	-	-	28
	BLUE FINE	-	24	-	-	-	29
	WHITE	-	25	-	-	-	30
WHITE FINE	-	26	-	-	-	31	
<b>BEAM</b>	BEAM DIMMER	12	27	14	16	19	32
	BEAM DIMMER FINE	13	28	15	17	20	33
	BEAM STROBE	14	29	16	18	21	34
	BEAM STROBE DURATION	15	30	17	19	22	35
	BEAM STROBE RATE	16	31	18	20	23	36



PARAMETER		STD 1 (19ch)	STD 2 (36ch)	FX 1 (32ch)	FX 2 (42ch)	EXT.1 (47ch)	EXT.2 (60ch)
PLATE FX	PATTERN SELECTOR	-	-	19	21	24	37
	PATTERN SPEED	-	-	20	22	25	38
	PATTERN FADE	-	-	21	23	26	39
	PATTERN TRANSITION	-	-	22	24	27	40
	PATTERN XFADE	-	-	23	25	28	41
	DIMMER	-	-	24	26	29	42
	STROBE	-	-	25	27	30	43
	RED	-	-	26	28	31	44
	GREEN	-	-	27	29	32	45
	BLUE	-	-	28	30	33	46
	WHITE	-	-	29	31	34	47
BEAM FX	FX SELECTOR	-	-	-	32	35	48
	PATTERN SPEED	-	-	-	33	36	49
	PATTERN FADE	-	-	-	34	37	50
	PATTERN TRANSITION	-	-	-	35	38	51
	PATTERN XFADE	-	-	-	36	39	52
	BEAM DIMMER	-	-	-	37	40	53
	BEAM STROBE	-	-	-	38	41	54
COLORS	COLOR MACRO	-	-	-	39	42	55
	CCT	17	32	-	-	43	56
CROSSFADE	XFADE PROTOCOL	18	33	30	40	44	57
	XFADE TO PIXEL ENGINE	19	34	31	41	45	58
	XFADE WHITE TO COLOR	20	35	-	-	46	59
CONTROL		21	36	32	42	47	60
BEAM PIXELS If selected, beam main dimmer works as master		If selected on the menu, +4 or +12 dimmer channels					

# PIXEL DEFINITION - RGBW PLATES

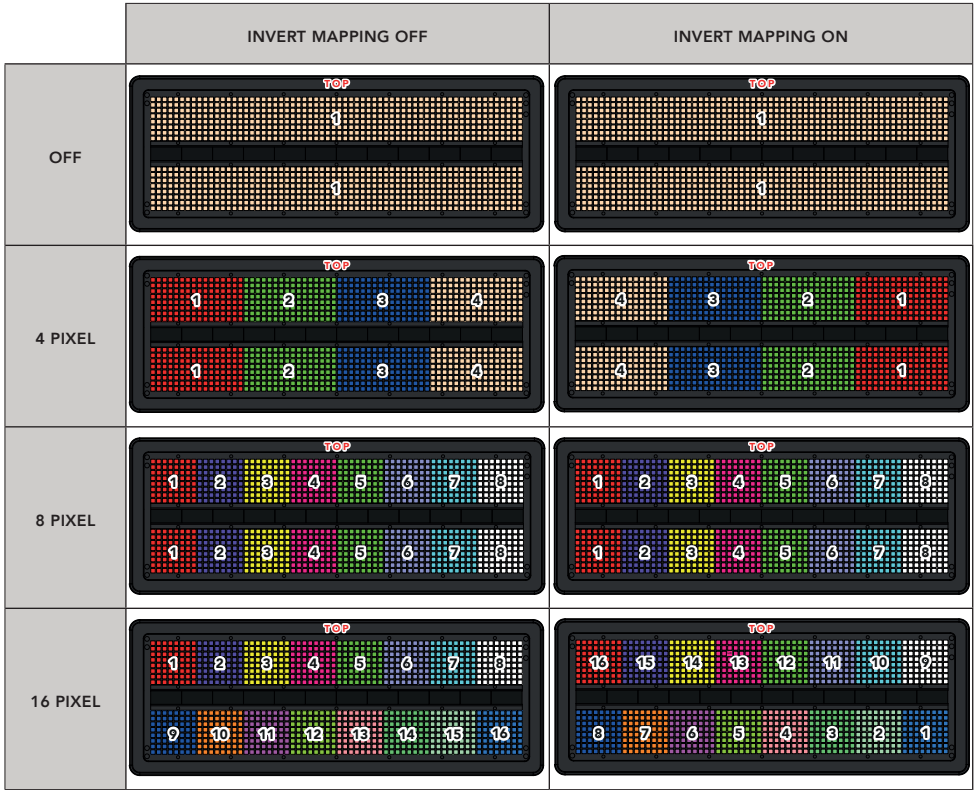


Fig. 09

# PIXEL DEFINITION - WHITE BEAM

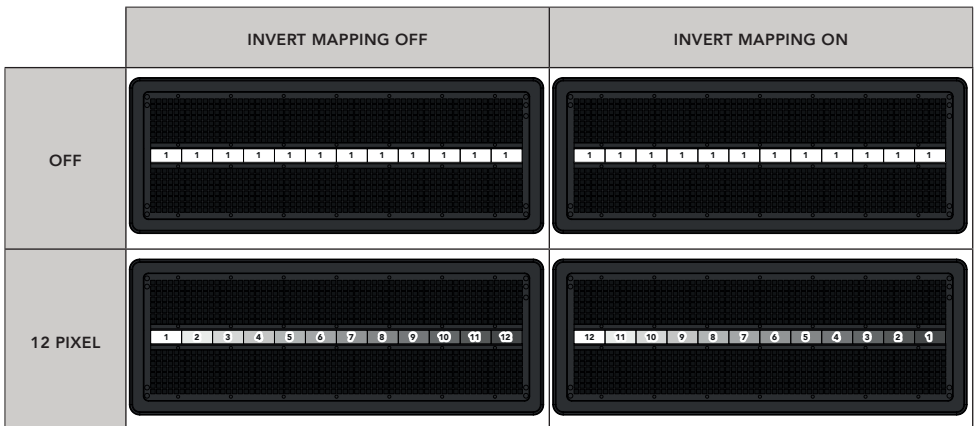


Fig. 10

## CHANNEL DEFINITION

### Dimmer

Function	8 bit value		16 bit value		Note
	From	To	From	To	
Dimmer	0	255	0	65535	Default @ 0 (Linear Dimmer 0 - 100%)

### Strobe

Function	8 bit value		16 bit value		Note
	From	To	From	To	
Open	0	4	-	-	Default @ 255
Strobe (slow to fast)	5	44	-	-	
Open	45	46	-	-	
Pulse In (slow to fast)	47	86	-	-	
Open	87	88	-	-	
Pulse Out (slow to fast)	89	128	-	-	
Close	129	130	-	-	Random flash on all fixture
Random (slow to fast)	131	170	-	-	
Open	171	172	-	-	
Random single pixels (slow to fast)	173	212	-	-	Flash on random pixels
Open	213	214	-	-	Flash on low light
Spikers (slow to fast)	215	254	-	-	
Open	255	255	-	-	

### Strobe Duration

Function	8 bit value		16 bit value		Note
	From	To	From	To	
0ms to 990ms	0	255	-	-	Default @ 0

### Strobe Rate

Function	8 bit value		16 bit value		Note
	From	To	From	To	
Light off	0	5	-	-	Default @ 255
Slow (0,3Hz) to fast (25Hz)	6	250	-	-	
Open - 100% on	251	255	-	-	

### Colors (RED - GREEN - BLUE - WHITE) - Foreground&Background RGBW

Function	8 bit value		16 bit value		Note
	From	To	From	To	
Color	0	255	0	65535	Linear 0 - 100% Default @ 255 (8bit) / 65535 (16bit)

**CCT (2800K - 10000K)**

Function		8 bit value		16 bit value		Note
CCT(K) From	CCT(K) To	From	To	From	To	
2800	2900	0	4	0	910	Default @ 0
2900	3000	4	7	910	1820	
3000	3100	7	11	1820	2731	
3100	3200	11	14	2731	3641	
3200	3300	14	18	3641	4551	
3300	3400	18	21	4551	5461	
3400	3500	21	25	5461	6371	
3500	3600	25	28	6371	7282	
3600	3700	28	32	7282	8192	
3700	3800	32	35	8192	9102	
3800	3900	35	39	9102	10012	
3900	4000	39	43	10012	10923	
4000	4100	43	46	10923	11833	
4100	4200	46	50	11833	12743	
4200	4300	50	53	12743	13653	
4300	4400	53	57	13653	14563	
4400	4500	57	60	14563	15474	
4500	4600	60	64	15474	16384	
4600	4700	64	67	16384	17294	
4700	4800	67	71	17294	18204	
4800	4900	71	74	18204	19114	
4900	5000	74	78	19114	20025	
5000	5100	78	81	20025	20935	
5100	5200	81	85	20935	21845	
5200	5300	85	89	21845	22755	
5300	5400	89	92	22755	23665	
5400	5500	92	96	23665	24576	
5500	5600	96	99	24576	25486	
5600	5700	99	103	25486	26396	
5700	5800	103	106	26396	27306	
5800	5900	106	110	27306	28216	
5900	6000	110	113	28216	29127	
6000	6100	113	117	29127	30037	
6100	6200	117	120	30037	30947	
6200	6300	120	124	30947	31857	
6300	6400	124	128	31857	32768	
6400	6500	128	131	32768	33678	
6500	6600	131	135	33678	34588	
6600	6700	135	138	34588	35498	
6700	6800	138	142	35498	36408	
6800	6900	142	145	36408	37319	
6900	7000	145	149	37319	38229	
7000	7100	149	152	38229	39139	
7100	7200	152	156	39139	40049	
7200	7300	156	159	40049	40959	
7300	7400	159	163	40959	41870	
7400	7500	163	166	41870	42780	
7500	7600	166	170	42780	43690	
7600	7700	170	174	43690	44600	
7700	7800	174	177	44600	45510	

**CCT (2800K - 10000K)**

Function		8 bit value		16 bit value		Note
CCT(K) From	CCT(K) To	From	To	From	To	
7800	7900	177	181	45510	46421	
7900	8000	181	184	46421	47331	
8000	8100	184	188	47331	48241	
8100	8200	188	191	48241	49151	
8200	8300	191	195	49151	50061	
8300	8400	195	198	50061	50972	
8400	8500	198	202	50972	51882	
8500	8600	202	205	51882	52792	
8600	8700	205	209	52792	53702	
8700	8800	209	213	53702	54613	
8800	8900	213	216	54613	55523	
8900	9000	216	220	55523	56433	
9000	9100	220	223	56433	57343	
9100	9200	223	227	57343	58253	
9200	9300	227	230	58253	59164	
9300	9400	230	234	59164	60074	
9400	9500	234	237	60074	60984	
9500	9600	237	241	60984	61894	
9600	9700	241	244	61894	62804	
9700	9800	244	248	62804	63715	
9800	9900	248	251	63715	64625	
9900	10000	251	255	64625	65535	

### Crossfade Hierarchy

Following order must be read from bottom to top. First Level is CCT, Second level is Color Mix, Third level is Pixel Engine (ETH1 in case of double Protocol used), Fourth level is Pixel Engine (ETH2)

ETH1 to ETH2	Fixture must be running a Pixel Engine using two protocols (Pixel Address -> Artnet+sAcn) Crossfade is inhibited in any other case.
Color to Pixel Engine	Fixture must be running a Pixel Engine. Pixel Engine is allocated on separated DMX Address. Crossfade is inhibited in any other case.
CCT to Color Mix	Crossfade running on Fixture Engine. Crossfades from CCT to Color Mix level. FXs and Tour FXs are running on Color Mix level.

### Crossfade from ETH1 to ETH2

Function	8 bit value		16 bit value		Note
	From	To	From	To	
Linear Crossfade	0	255	0	65535	Default @ 0 Crossfade from Pixel Engine running on first ETH protocol to second Pixel Engine running on second ETH protocol

### Crossfade from Color to Pixel Engine

Function	8 bit value		16 bit value		Note
	From	To	From	To	
Linear Crossfade	0	255	0	65535	Default @ 0 Crossfade from Color Layer to Pixel Engine

### Crossfade from CCT to ColorMix

Function	8 bit value		16 bit value		Note
	From	To	From	To	
Linear Crossfade	0	255	0	65535	Default @ 255 Crossfade from CCT Layer to ColorMix

**Color Macro**

Function	8 bit value		16 bit value		Note
	From	To	From	To	
No Function	0	1	-	-	Default @ 0
RED	2	3	-	-	
GREEN	4	5	-	-	
BLUE	6	7	-	-	
CYAN	8	9	-	-	
MAGENTA	10	11	-	-	
YELLOW	12	13	-	-	
DIRTY WHITE	14	15	-	-	
ALICE BLUE	16	17	-	-	
CONGO BLUE	18	19	-	-	
DARK STEEL BLUE	20	21	-	-	
DEEP LAVENDER	22	23	-	-	
LILAC TING	24	25	-	-	
DAYLIGHT BLUE	26	27	-	-	
FLAME RED	28	29	-	-	
BASTARD AMBER	30	31	-	-	
DEEP ORANGE	32	33	-	-	
PALE GOLD	34	35	-	-	
APRICOT	36	37	-	-	
BRIGHT BLUE	38	39	-	-	
PRIMARY GREEN	40	41	-	-	
SPECIAL LAVENDER	42	43	-	-	
PALE LAVENDER	44	45	-	-	
DEEP GOLDEN AMBER	46	47	-	-	
MEDIUM BLUE	48	49	-	-	
BRIGHT PINK	50	51	-	-	
MAUVE	52	53	-	-	
DARK GREEN	54	55	-	-	
LEE GREEN	56	57	-	-	
DARK BLUE	58	59	-	-	
LIGHT BLUE	60	61	-	-	
STEEL BLUE	62	63	-	-	
MEDIUM BLUE-GREEN	64	65	-	-	
PEACOCK BLUE	66	67	-	-	
MAGENTA	68	69	-	-	
DARK PINK	70	71	-	-	
MIDDLE ROSE	72	73	-	-	
LIGHT SALMON	74	75	-	-	
ENGLISH ROSE	76	77	-	-	
LIGHT ROSE	78	79	-	-	
ORANGE	80	81	-	-	
DEEP AMBER	82	83	-	-	
STRAW	84	85	-	-	
LIGHT AMBER	86	87	-	-	
SPRING YELLOW	88	89	-	-	
DARK YELLOW GREEN	90	91	-	-	

**Color Macro**

Function	8 bit value		16 bit value		Note
	From	To	From	To	
JUST BLUE	92	93	-	-	
SKY BLUE	94	95	-	-	
LAVENDER	96	97	-	-	
LIGHT LAVENDER	98	99	-	-	
PINK CARNATION	100	101	-	-	
MEDIUM PINK	102	103	-	-	
LIGHT PINK	104	105	-	-	
SUNSET RED	106	107	-	-	
DARK AMBER	108	109	-	-	
GOLD AMBER	110	111	-	-	
MEDIUM AMBER	112	113	-	-	
FIRE	114	115	-	-	
SURPRISE PEACH	116	117	-	-	
STRAW TINT	118	119	-	-	
MEDIUM YELLOW	120	121	-	-	
LEE MINUS GREEN	122	123	-	-	
PALE GOLD	124	125	-	-	
ORANGE	126	127	-	-	
DEEP STRAW	128	129	-	-	
ROSE PURPLE	130	131	-	-	
DEEP PURPLE	132	133	-	-	
SOFT GREEN	134	135	-	-	
Reserved for future use	136	209	-	-	
2700K	210	211	-	-	
2800K	212	213	-	-	
3000K	214	215	-	-	
3200K	216	217	-	-	
3400K	218	219	-	-	
3600K	220	221	-	-	
3800K	222	223	-	-	
4000K	224	225	-	-	
4200K	226	227	-	-	
4400K	228	229	-	-	
4600K	230	231	-	-	
4800K	232	233	-	-	
5000K	234	235	-	-	
5200K	236	237	-	-	
5400K	238	239	-	-	
5600K	240	241	-	-	
6000K	242	243	-	-	
6500K	244	245	-	-	
7000K	246	247	-	-	
8000K	248	249	-	-	
9000K	250	251	-	-	
10000K	252	253	-	-	
FULL ON	254	255	-	-	



**Pattern Selector (RGBW PLATE)**

Function	8 bit value		16 bit value		Note
	From	To	From	To	
No pattern	0	9	-	-	Default @ 0
Pattern 1	10	14	-	-	
Pattern 2	15	19	-	-	
Pattern 3	20	24	-	-	
Pattern 4	25	29	-	-	
Pattern 5	30	34	-	-	
Pattern 6	35	39	-	-	
Pattern 7	40	44	-	-	
Pattern 8	45	49	-	-	
Pattern 9	50	54	-	-	
Pattern 10	55	59	-	-	
Pattern 11	60	64	-	-	
Pattern 12	65	69	-	-	
Pattern 13	70	74	-	-	
Pattern 14	75	79	-	-	
Pattern 15	80	84	-	-	
Pattern 16	85	89	-	-	
Pattern 17	90	94	-	-	
Pattern 18	95	99	-	-	
Pattern 19	100	104	-	-	
Pattern 20	105	109	-	-	
Pattern 21	110	114	-	-	
Pattern 22	115	119	-	-	
Pattern 23	120	124	-	-	
Pattern 24	125	129	-	-	
Pattern 25	130	134	-	-	
Pattern 26	135	139	-	-	
Pattern 27	140	144	-	-	
Pattern 28	145	149	-	-	
Pattern 29	150	154	-	-	
Pattern 30	155	159	-	-	
Pattern 31	160	164	-	-	
Pattern 32	165	169	-	-	
Pattern 33	170	174	-	-	
Pattern 34	175	179	-	-	
Pattern 35	180	184	-	-	
Pattern 36	185	189	-	-	
Pattern 37	190	194	-	-	
RESERVED	195	255	-	-	

**Pattern Selector (WHITE BEAM)**

Function	8 bit value		16 bit value		Note
	From	To	From	To	
No pattern	0	9	-	-	Default @ 0
Pattern 1	10	14	-	-	
Pattern 2	15	19	-	-	
Pattern 3	20	24	-	-	
Pattern 4	25	29	-	-	
Pattern 5	30	34	-	-	
Pattern 6	35	39	-	-	
Pattern 7	40	44	-	-	
Pattern 8	45	49	-	-	
Pattern 9	50	54	-	-	
Pattern 10	55	59	-	-	
Pattern 11	60	64	-	-	
Pattern 12	65	69	-	-	
Pattern 13	70	74	-	-	
Pattern 14	75	79	-	-	
Pattern 15	80	84	-	-	
Pattern 16	85	89	-	-	
Pattern 17	90	94	-	-	
Pattern 18	95	99	-	-	
Pattern 19	100	104	-	-	
Pattern 20	105	109	-	-	
Pattern 21	110	114	-	-	
Pattern 22	115	119	-	-	
Pattern 23	120	124	-	-	
Pattern 24	125	129	-	-	
Pattern 25	130	134	-	-	
Pattern 26	135	139	-	-	
Pattern 27	140	144	-	-	
Pattern 28	145	149	-	-	
Pattern 29	150	154	-	-	
Pattern 30	155	159	-	-	
Pattern 31	160	164	-	-	
Pattern 32	165	169	-	-	
Pattern 33	170	174	-	-	
Pattern 34	175	179	-	-	
Pattern 35	180	184	-	-	
Pattern 36	185	189	-	-	
Pattern 37	190	194	-	-	
RESERVED	195	255	-	-	

### Pattern Speed

Function	8 bit value		16 bit value		Note
	From	To	From	To	
Indexing	0	127	-	-	Default @ 0
CW from fast to slow	128	190	-	-	
Stop	191	192	-	-	
CCW from slow to fast	193	255	-	-	

### Pattern Fade

Function	8 bit value		16 bit value		Note
	From	To	From	To	
0% - 100% (From 0 ms to 5000 ms)	0	255	-	-	Default @ 0 Defines the fade time of the LEDs involved in an effect. For example, if the channel is set to 1 second and a random pixel effect is running, the pixels that go from on to off will take 1 second to fade out.

### Pattern Transition

Function	8 bit value		16 bit value		Note
	From	To	From	To	
No fade	0	0	-	-	Default @ 0 Defines the fade time for transitioning between effects on the involved LEDs. For example, if the channel is set to 1 second and there is a change from one effect to another, such as from a random pixel effect to another, the transition will take 1 second to complete with a fade.
0% - 100% (From 0 ms to 5000 ms)	1	255	-	-	

### Pattern Xfade

Function	8 bit value		16 bit value		Note
	From	To	From	To	
FX opacity 0%	0	0	-	-	Default @ 0 When set to 0, pixel effects are not visible, and the background/main color is displayed solidly. At a value of 255, the pixel effect is fully overlaid. Adjusting the value between 0 and 255 will gradually increase the visibility of the pixel effect over the background color.
FX opacity 0% - 100%	1	255	-	-	

### Control Channel

Function		8 bit value		16 bit value		Note
		From	To	From	To	
No Function / Safe		0	1	-	-	Default @ 0
DISPLAY	ON	2	3	-	-	Hold 3s to take function
	10s	4	5	-	-	
	20s	6	7	-	-	
	30s	8	9	-	-	
FLIP DISPLAY	ON	10	11	-	-	
	OFF	12	13	-	-	
KEY LOCK	ON	14	15	-	-	
	OFF	16	17	-	-	
DIMMER CURVE	LINEAR	18	19	-	-	
	S-CURVE	20	21	-	-	
	SQUARE LAW	22	23	-	-	
	INVERSE SQUARE LAW	24	25	-	-	
DIMMER SPEED	HIGH RES@LOW	26	27	-	-	
	AUTO	28	29	-	-	
	FAST	30	31	-	-	
	MEDIUM	32	33	-	-	
	SLOW	34	35	-	-	
DIMMER	OFF	36	37	-	-	
	FADE OFF END	38	39	-	-	
	SNAP OFF END	40	41	-	-	
SPEKTRA CALIBRATION	ON	42	43	-	-	
	PURE COLORS	44	45	-	-	
	OFF	46	47	-	-	
LED MODE	HIGH QUALITY	48	49	-	-	
	HIGH BRIGHTNESS	50	51	-	-	
WHITE POINT	3200K	52	53	-	-	
	4000K	54	55	-	-	
	5600K	56	57	-	-	
	6000K	58	59	-	-	
	8000K	60	61	-	-	
LED FREQUENCY	OFF	62	63	-	-	
	600HZ	64	65	-	-	
	1200HZ	66	67	-	-	
	2000HZ	68	69	-	-	
	4000HZ	70	71	-	-	
	6000HZ	72	73	-	-	
DMX FAULT	25KHZ	74	75	-	-	
	HOLD	76	77	-	-	
	BLACKOUT	78	79	-	-	
	STAND ALONE	80	81	-	-	
INVERT MAPPING	EMERGENCY	82	83	-	-	
	OFF	84	85	-	-	
	INVERT PLATE	86	87	-	-	
	INVERT BEAM	88	89	-	-	
	INVERT ALL	90	91	-	-	

### Control Channel

Function		8 bit value		16 bit value		Note
		From	To	From	To	
STANDALONE	MASTER	92	93	-	-	
	MASTER NO DMX	94	95	-	-	
	SLAVE	96	97	-	-	
	TOUR FX	98	99	-	-	
	HSI	100	101	-	-	
	FIXED COLORS	102	103	-	-	
	WHITE PRESETS	104	105	-	-	
	COLOR MACRO	106	107	-	-	
	MANUAL COLORS	108	109	-	-	
FAN MODE	CO AUTO	110	111	-	-	
	CO HIGH	112	113	-	-	
	CO SILENT 1	114	115	-	-	
	CO SILENT 2	116	117	-	-	
	CO OFF	118	119	-	-	
	DO AUTO	120	121	-	-	
	DO HIGH	122	123	-	-	
	DO SILENT 1	124	125	-	-	
	DO SILENT 2	126	127	-	-	
DO OFF	128	129	-	-		
Reserved		130	251	-	-	
Reset all channel controlled		252	253	-	-	
Reserved		254	255	-	-	

# 11 - RDM FUNCTIONS

The product can communicate using RDM (Remote Device Management) protocol over a DMX512 Networks.

RDM is a bi-directional communications protocol for use in DMX512 control systems, it is the open standard for DMX512 device configuration and status monitoring.

The RDM protocol allows data packets to be inserted into a DMX512 data stream without affecting existing non-RDM equipment. It allows a console or dedicated RDM controller to send commands to and receive messages from specific fixtures.

The PIDs in the following tables are supported in the product.

Category	Parameter	Value	GET	SET
<b>RDM Information</b>	SUPPORTED_PARAMETERS	0x0050	x	
	PARAMETER_DESCRIPTION	0x0051	x	
<b>Product Information</b>	PRODUCT_DETAIL_ID_LIST	0x0070	x	
	DEVICE_MODEL_DESCRIPTION	0x0080	x	
	MANUFACTURER_LABEL	0x0081	x	
	DEVICE_LABEL	0x0082	x	x
	FACTORY_DEFAULTS	0x0090	x	x
<b>DMX512 Setup</b>	DMX_PERSONALITY	0x00E0	x	x
	DMX_PERSONALITY_DESCRIPTION	0x00E1	x	
	DMX_START_ADDRESS	0x00F0	x	x
	SLOT_INFO	0x0120	x	
	SLOT_DESCRIPTION	0x0121	x	
<b>Sensors</b>	DEFAULT_SLOT_VALUE	0x0122	x	
	SENSOR_DEFINITION	0x0200	x	
<b>Dimmer Settings</b>	SENSOR_VALUE	0x0201	x	x
	DIMMER_INFO	0x0340	x	
	CURVE	0x0343	x	x
	CURVE_DESCRIPTION	0x0344	x	x
	OUTPUT_RESPONSE_TIME	0x0345	x	x
	OUTPUT_RESPONSE_TIME_DESCRIPTION	0x0346	x	
	MODULATION_FREQUENCY	0x0347	x	x
MODULATION_FREQUENCY_DESCRIPTION	0x0348	x		
<b>Power/Lamp Settings</b>	DEVICE_HOURS	0x0400	x	x
	LAMP_HOURS	0x0401	x	x
	LAMP_MODE	0x0404	x	x
	DEVICE_POWER_CYCLES	0x0405	x	x
<b>Display Settings</b>	DISPLAY_INVERT	0x0500	x	x
<b>Configuration</b>	LOCK_STATE	0x0641	x	x
	LOCK_STATE_DESCRIPTION	0x0642	x	
<b>Control</b>	IDENTIFY_MODE	0x1040	x	x

### Manufacturer Specific PIDs

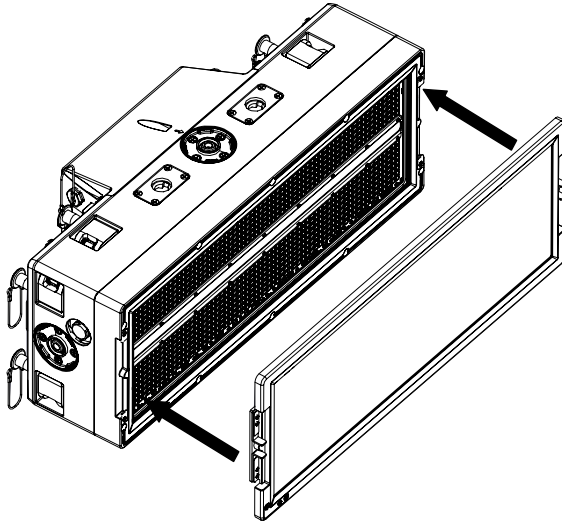
Parameter	PID	GET	SET	Value	Description
MASTER/SLAVE	0x8211	x	x	0-2	0: Master DMX 1: Master NO DMX <b>2: Slave</b>
SPEKTRA CALIBRATION	0x822F	x	x	0-2	0: On <b>1: Pure colors</b> 2: Off
FIXED COLOR	0x82BE	x	x	0-14	0: R 1: G 2: B 3: W 4: RG 5: RB 6: RW 7: GB 8: GW 9: BW 10: RGB 11: RGW 12: RBW 13: GBW <b>14: RGBW</b>
WHITE PRESETS	0x82BF	x		0-16	0: 2700K 1: 2800K <b>2: 3200K</b> 3: 3500K 4: 4000K ... 16: 10000K
MANUAL RED	0x82C0	x	x	0-255	<b>DEFAULT: 255</b>
MANUAL GREEN	0x82C1	x	x	0-255	<b>DEFAULT: 255</b>
MANUAL BLUE	0x82C2	x	x	0-255	<b>DEFAULT: 255</b>
MANUAL WHITE	0x82C3	x	x	0-255	<b>DEFAULT: 255</b>
DMX FAULT	0x82DD	x	x	0-3	0: Hold 1: Blackout <b>2: Stand Alone</b> 3: Emergency
INVERT MAPPING	0x82E1	x		0-2	0: Invert plate 1: Invert beam <b>2: Invert all</b>
PIXEL DMX ADDRESS	0x82E6	x	x	1-512	<b>DEFAULT: 1</b>
ERROR MESSAGES	0x82EA	x		0-2	
STAND ALONE MODE	0x82EC	x	x	0-6	0: TOUR FX 1: CCT 2: HSI 3: FIXED COLORS 4: WHITE PRESETS 5: COLOR MACRO 6: MANUAL COLORS
COLOR MACROS	0x82ED	x	x	0-64	Refer to DMX charts
WIRELESS QUALITY	0x82F4	x		0-100%	
SETTINGS SELECTOR	0x8309	x	x	1-5	
CALIBRATION	0x8330	x	x	0-1	<b>0: HB</b> 1: HQ
STAND ALONE DIMMER	0x8360	x	x	0-255	<b>DEFAULT: 255</b>

## 12 - ACCESSORIES INSTALLATION

### DIFFUSION FILTERS

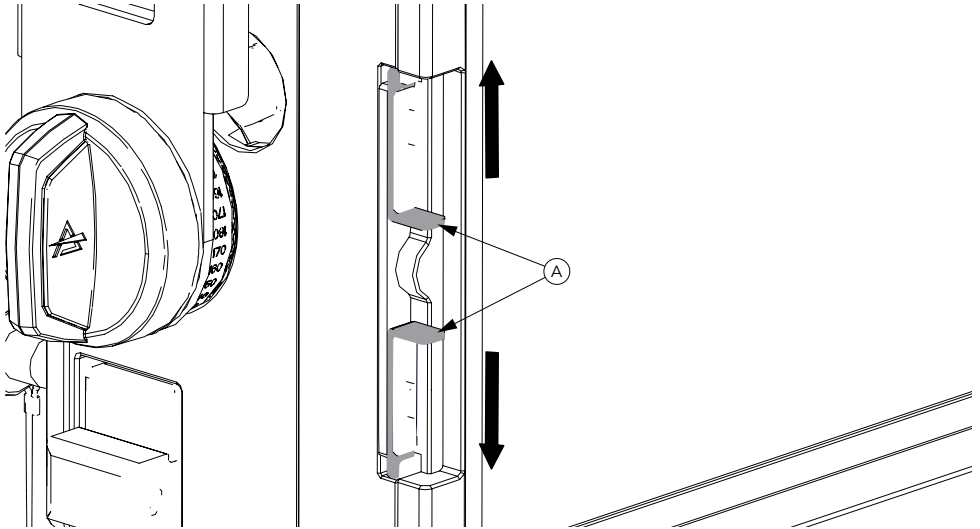
(CODES SBLFLXFILTHD, SBLFLXFILTMD, SBLFLXFILTBK - OPTIONAL)

1



Gently place the filter in front of the fixture.

2



Once positioned correctly, secure the two clips as indicated by the arrow (A).  
To remove the filter, please reverse the steps

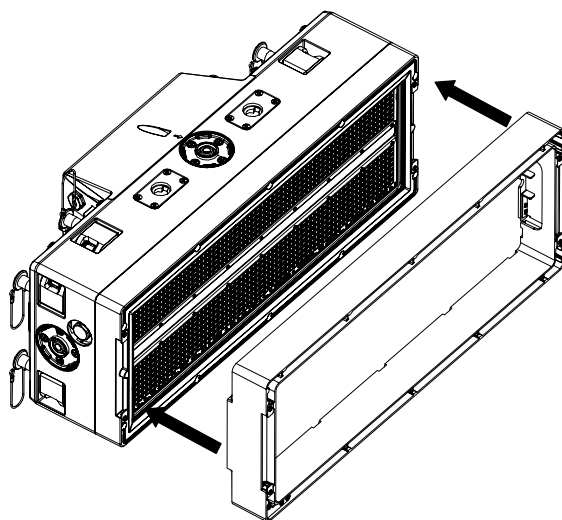
Fig. 11



## SPACER FOR FILTERS (CODE SBLFLXSPACER - OPTIONAL)

---

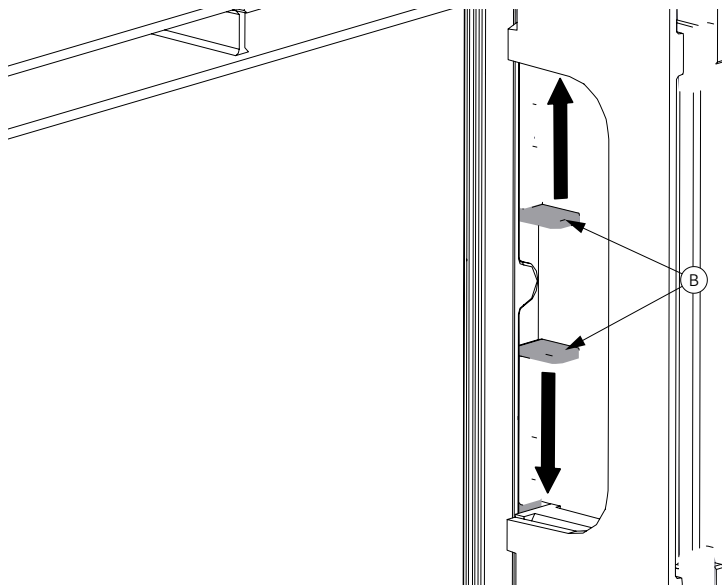
1



Gently place the spacer in front of the fixture.

---

2



Once positioned correctly, secure the two clips as indicated by the arrow (B).  
To remove the filter, please reverse the steps

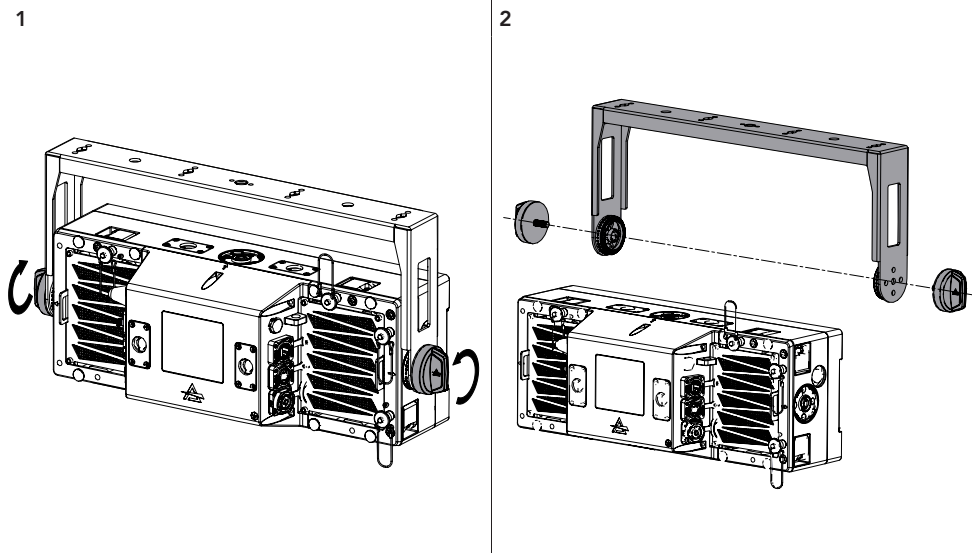
**NOTE:** Once the spacer is mounted, the filters can be installed as explained in the previous page.

Fig. 12

---

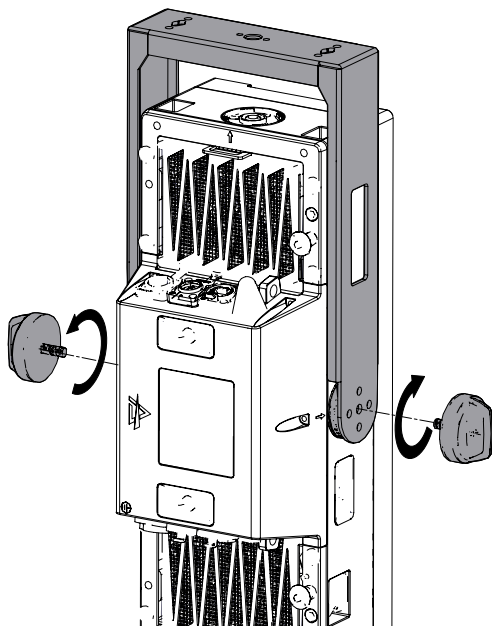
## BRACKETS

(CODES SBLFLXB01V, SBLFLXB02H, SBLFLXB02V, SBLFLXADPFLR - OPTIONAL)



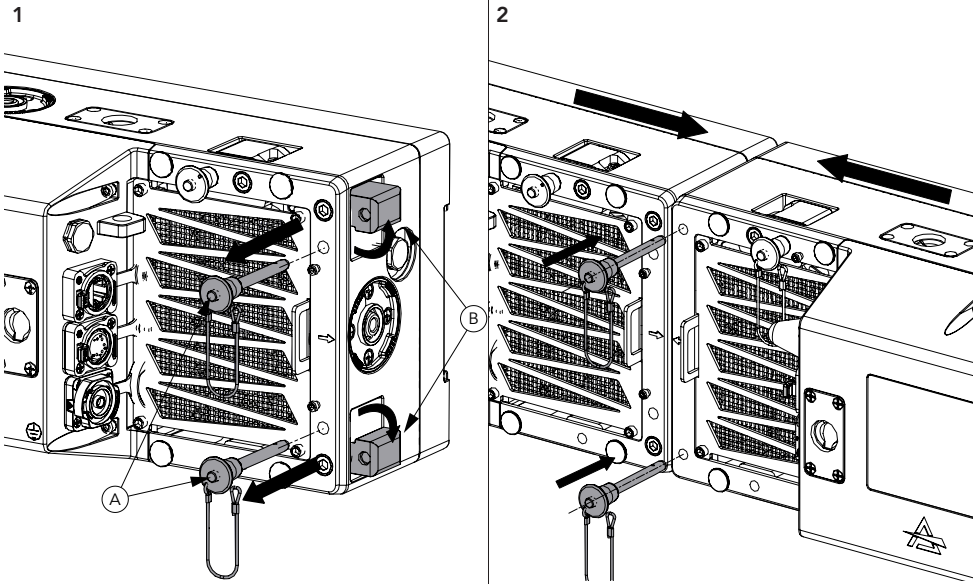
First remove the bracket's knobs (1), then remove the **SBLFLXB01H** included bracket (2).

### SBLFLXB01V

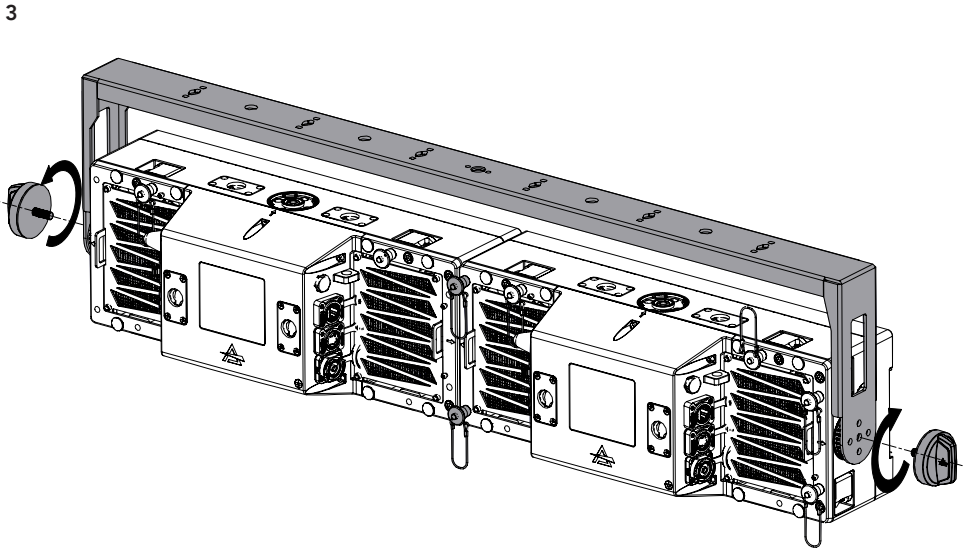


Once the standard bracket has been removed it is possible to install vertical bracket **SBLFLXB01V**.

Fig. 13



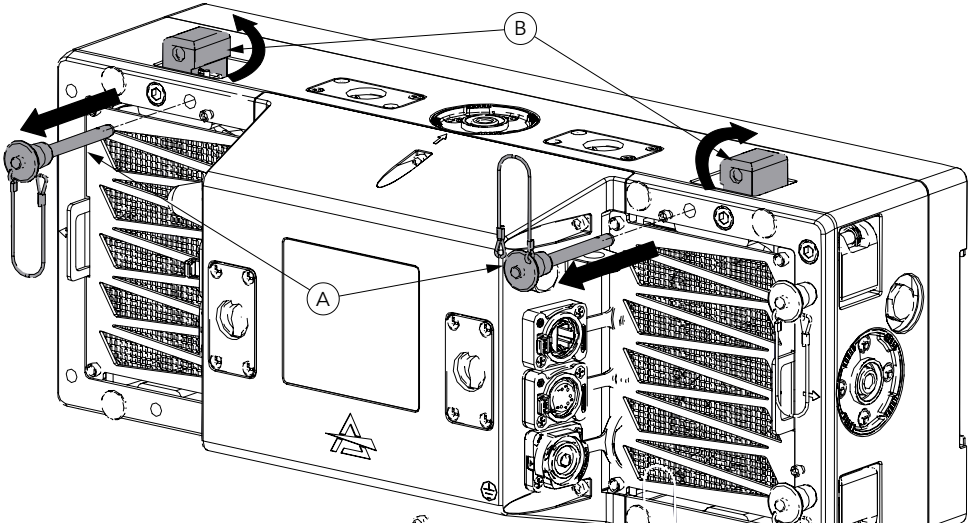
First remove the two pins (1) pressing their buttons (A), the mechanics will open automatically (B). Now you can place another fixture locking the pins of the mechanics (2)



Now you can place **SBLFLXB02H** and fix it with the knobs.

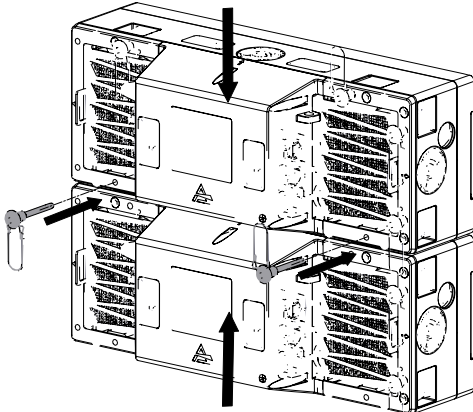
Fig. 14

1

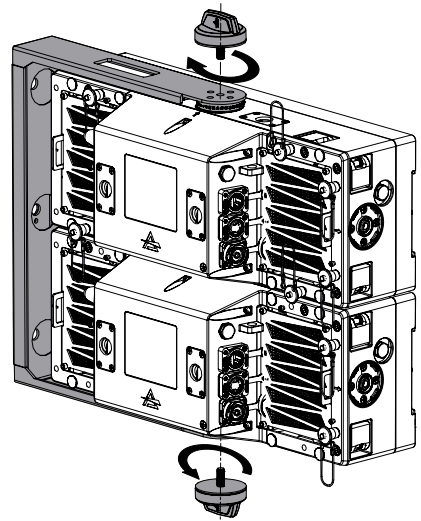


First remove the two pins (1) pressing their buttons (A), the mechanics will open automatically (B).

2

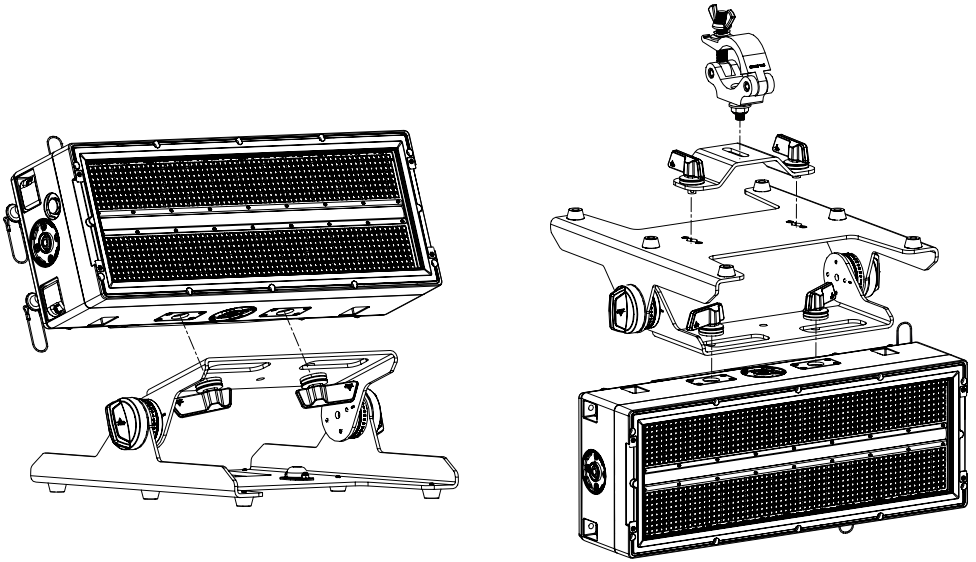


3



Now you can place another fixture locking the pins of the mechanics (2);  
Then you can place **SBLFLXB02V** and fix it with the knobs.

Fig. 15



This tiltable bracket can be used for both hanging and floor installations.

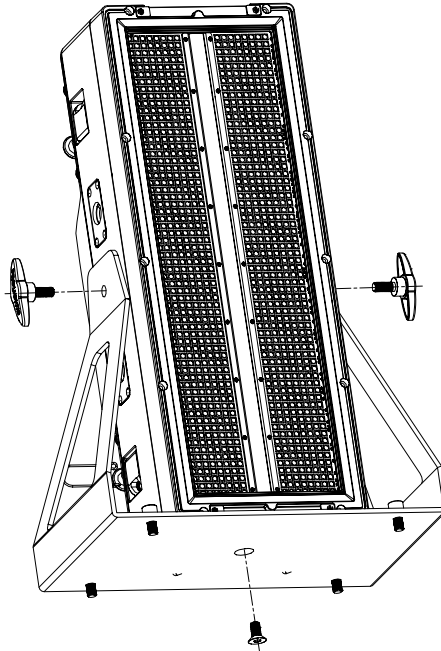
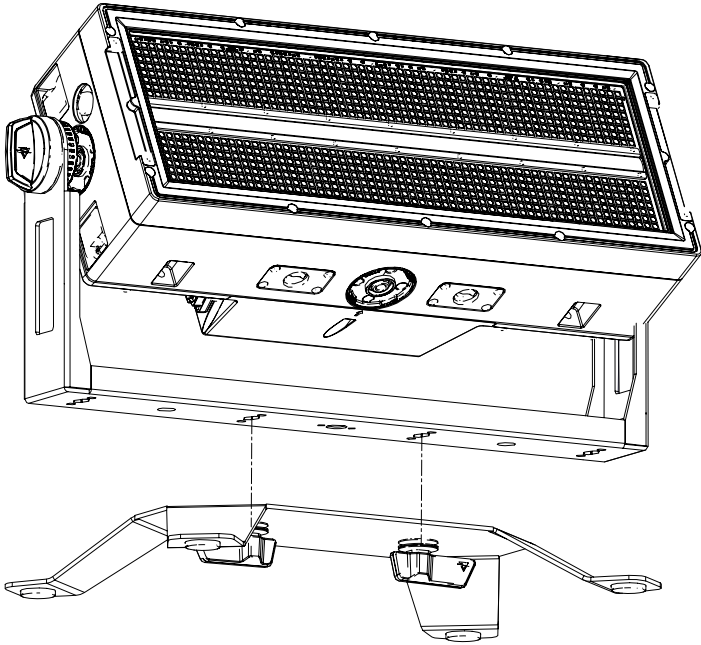
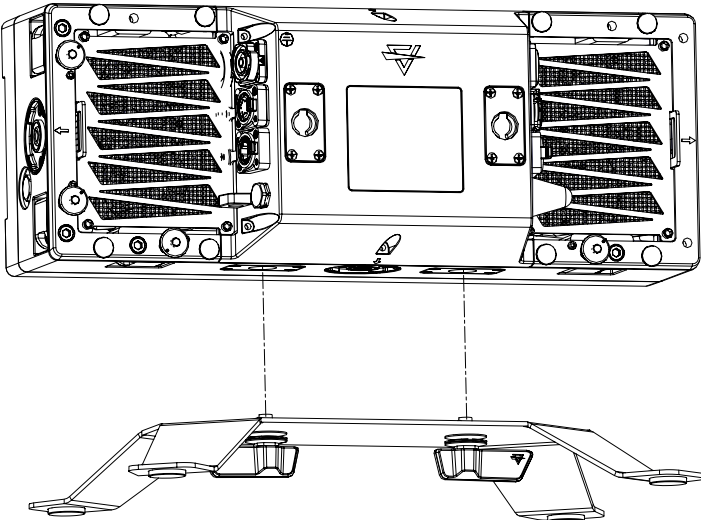


Fig. 16

1



2

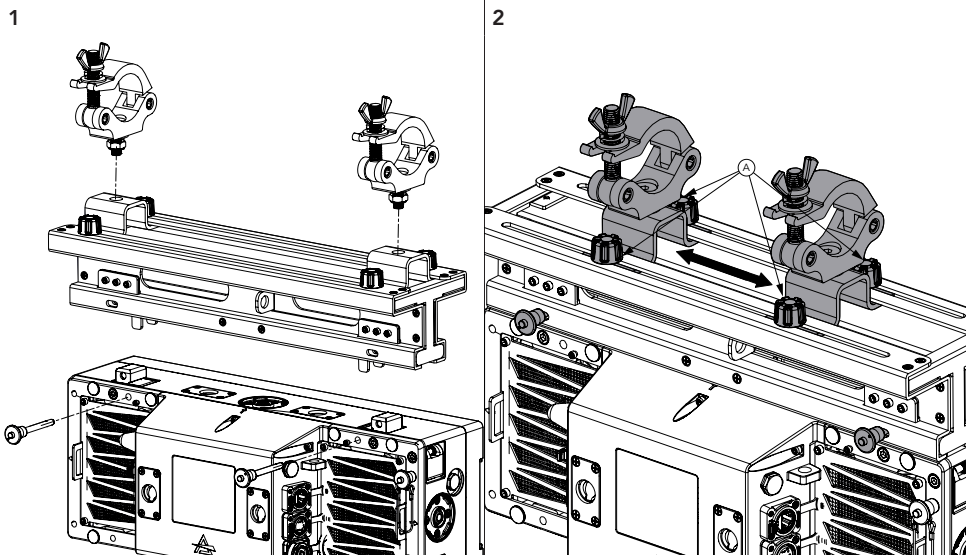


NOTE: **SBLFLXFLR** can be installed also directly on the fixture (2), be sure that will be mounted on the top side, and activate the invert mapping on the menu.

Fig. 17

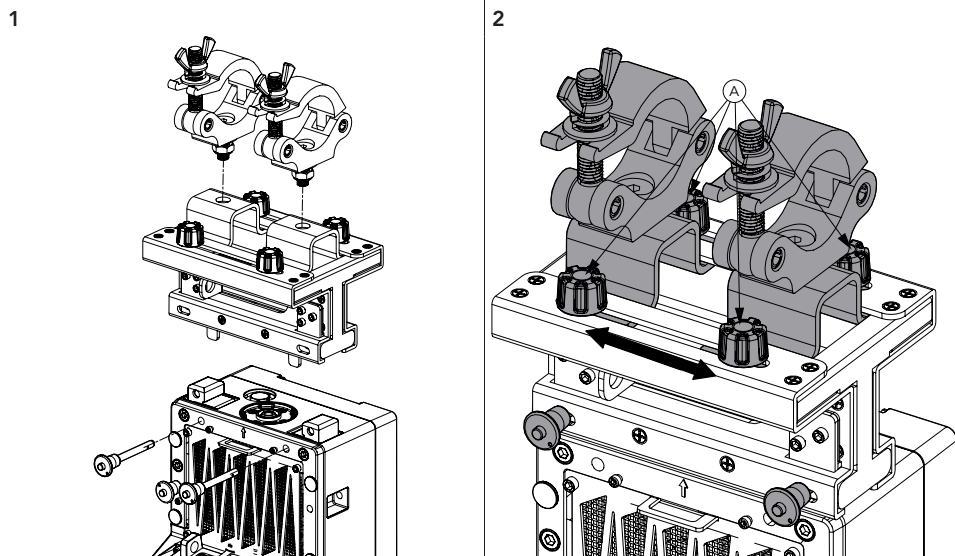
## HANGING BRACKETS (CODES SBLFLXHB01H, SBLFLXHB005V - OPTIONAL)

### SBLFLXHB01H



First remove the pins and place the **SBLFLXHB01H** (1), then is possible to adjust the position (2) using the marked knobs (A)

### SBLFLXHB005V



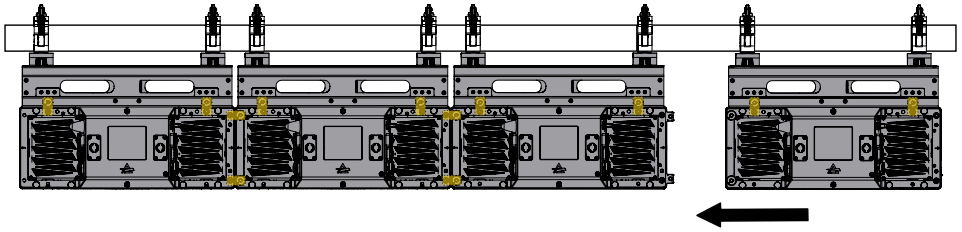
First remove the pins and place the **SBLFLXHB01H** (1), then is possible to adjust the position (2) using the marked knobs (A)

Fig. 18

# CLUSTER CONFIGURATION

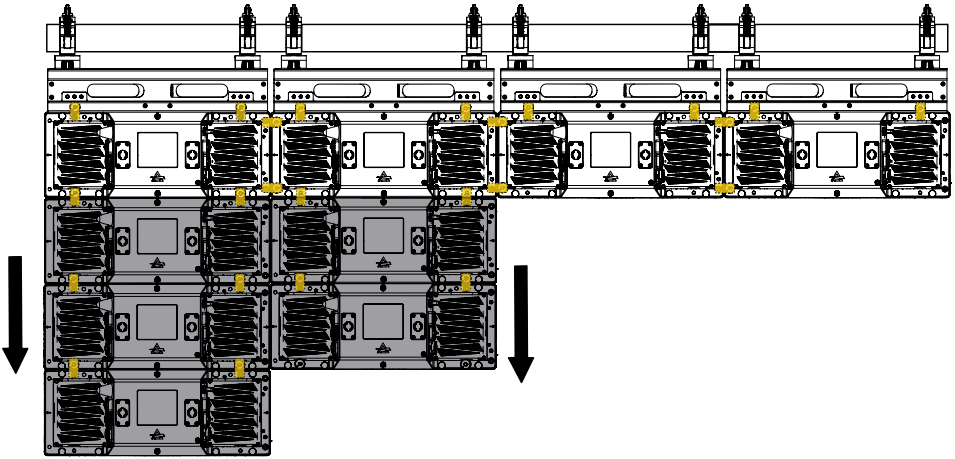
## OPTION 1

1



First assemble the first row, locking all the mechanics as shown on the figure (1).

2



Then assemble each column locking the mechanics on top as shown on the figure (2).

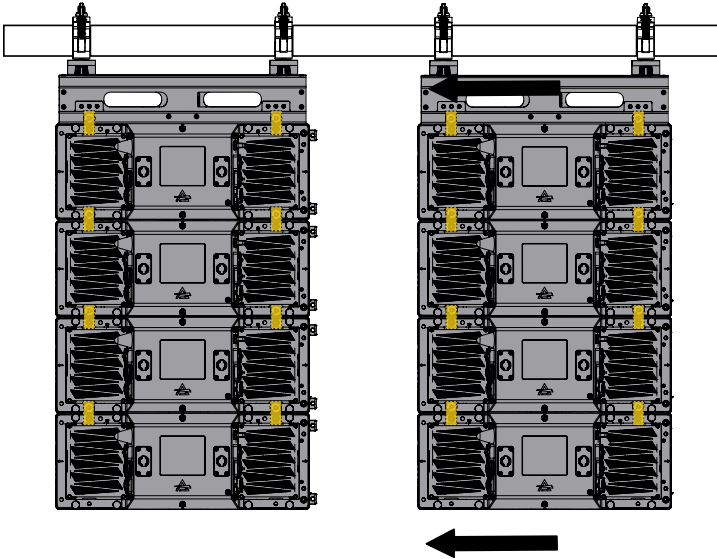
Fig. 19



OPTION 2

---

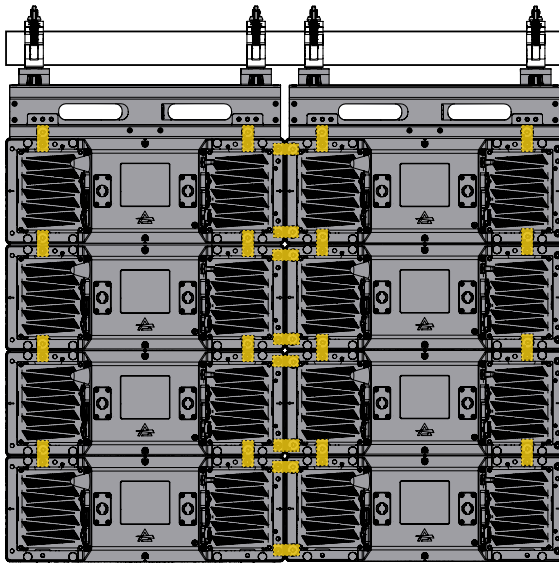
1



First assemble each column locking the mechanics on top.

---

2



Then is possible to mount each column locking the side mechanics.

---

Fig. 20

# 13 - MAINTENANCE

## MAINTENANCE AND CLEANING THE PRODUCT

**WARNING:** Disconnect from the mains before starting any maintenance work

It is recommended to clean the front at regular intervals, from impurities caused by dust, smoke, or other particles to ensure that the light is radiated at maximum brightness.

- For cleaning, disconnect the main plug from the socket. Use a soft, clean cloth moistened with a mild detergent. Then carefully wipe the part dry. For cleaning other housing parts use only a soft, clean cloth. Never use a liquid, it might penetrate the unit and cause damage to it.
- The user must clean the product periodically to maintain optimum performance and cooling. The user may also upload firmware (product software) to the fixture via the DMX signal input port or USB port using firmware and instructions from PROLIGHTS.
- The frequency of such maintenance operations is to be performed according to various factors, such as the amount of the use and the condition of the installation environment (air humidity, presence of dust, salinity, etc.). It is recommended that the product is subject to annual service by a qualified technician for special maintenance involving at least the following procedures:
- General cleaning of internal parts.
- For all the parts subject to friction, using lubricants specifically supplied by PROLIGHTS.
- General visual check of the internal components, cabling, mechanical parts, etc.
- Electrical, photometric and functional checks; eventual repairs.
- Cleaning the lenses. Only use neutral soap and water to clean the lenses, then dry it carefully with a soft, non-abrasive cloth.

**WARNING:** the use of alcohol or any other detergent could damage the lenses.

- **Only for IP65/IP66 projectors:** It is recommended to verify IP grade using IPTESTBOX every time the bodies are removed for maintenance, this tool helps to double check the correct assembling of the covers with a check of the IP grade of the fixture.
- All other service operations on the product must be carried out by PROLIGHTS, its approved service agents or trained and qualified personnel.
- It is PROLIGHTS policy to apply the strictest possible calibration procedures and use the best quality materials available to ensure optimum performance and the longest possible component lifetimes. However, optical components are subject to wear and tear over the life of the product, resulting in gradual changes in colours over many thousands of hours of use. The extent of wear and tear depends heavily on operating conditions and environment, so it is impossible to specify precisely whether and to what extent performance will be affected. However, you may eventually need to replace optical components if their characteristics are affected by wear and tear after an extended period of use and if you require fixtures to perform within very precise optical and colour parameters.
- Do not apply filters, lenses or other materials on lenses or other optical components. Use only accessories approved by PROLIGHTS.

## VISUAL CHECK OF PRODUCT HOUSING

- The parts of the product cover/housing should be checked for eventual damages and breaking start at least every two months. In addition, especially the parts of the front lens holder have to be checked mechanically (by means of movement by the part) if it is firmly fastened to the fixture. If hint of a crack is found on some plastic part, do not use the product until the damaged part will be replaced.
- Cracks or another damages of the cover/housing parts can be caused by the product transportation or manipulation and also ageing process may influence materials.
- This checking is necessary for both fixed installations and preparing product for renting. Any free moving parts inside of the product, cracked cover/housing or any part of front lens not sitting properly in place need to be immediately replaced.

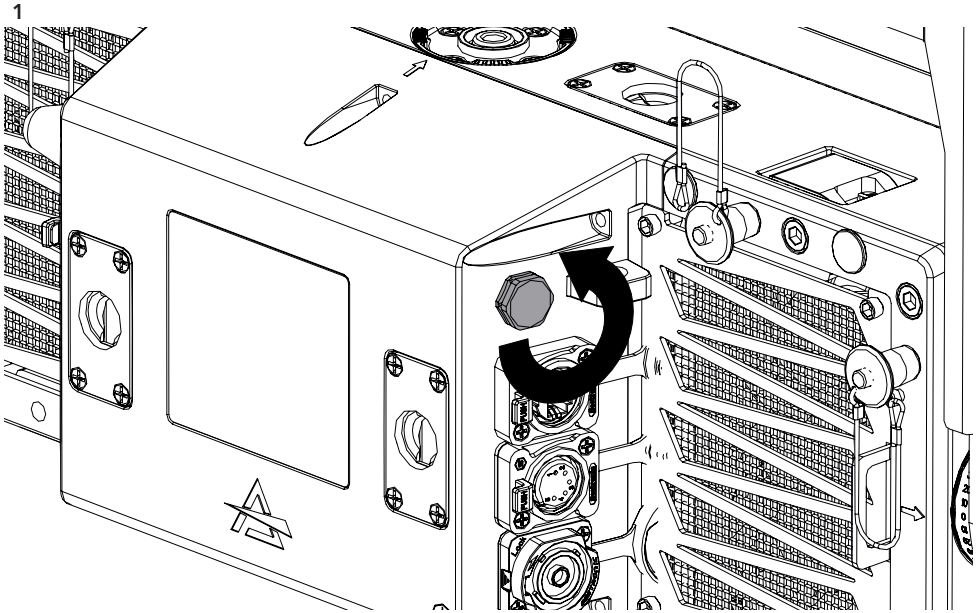
## TROUBLESHOOTING

Problems	Possible causes	Checks and remedies
Product doesn't power ON	<ul style="list-style-type: none"> <li>No power to the product.</li> </ul>	<ul style="list-style-type: none"> <li>Check that power is switched ON and cables are plugged in.</li> </ul>
	<ul style="list-style-type: none"> <li>Fuse blown or internal fault.</li> </ul>	<ul style="list-style-type: none"> <li>Contact the PROLIGHTS Service or authorized service partner. Do not remove parts and/or covers, or carry out any repairs or service that are not described in this Safety and User Manual unless you have both authorization from PROLIGHTS and the service documentation.</li> </ul>
Product reset correctly but does not respond correctly to the controller.	<ul style="list-style-type: none"> <li>Bad signal connection.</li> </ul>	<ul style="list-style-type: none"> <li>Inspect connections and cables. Fix eventual bad connections. Repair or replace damaged cables.</li> </ul>
	<ul style="list-style-type: none"> <li>Signal connection not terminated.</li> </ul>	<ul style="list-style-type: none"> <li>Insert DMX termination plug in signal output socket of the last product on the signal line.</li> </ul>
	<ul style="list-style-type: none"> <li>Incorrect addressing of the product.</li> </ul>	<ul style="list-style-type: none"> <li>Check the product address and control settings.</li> </ul>
	<ul style="list-style-type: none"> <li>One of the product is defective and is corrupting the signal transmission on the signal line.</li> </ul>	<ul style="list-style-type: none"> <li>Unplug the XLR in and out connectors and connect them directly together to bypass one product at a time until normal operation is regained. Once found the error, have that fixture serviced by a qualified technician.</li> </ul>
Timeout error after fixture reset.	<ul style="list-style-type: none"> <li>One or more hardware components requires mechanical adjustments.</li> </ul>	<ul style="list-style-type: none"> <li>Check product stored error messages for more information. Contact PROLIGHTS Service or an authorized service partner.</li> </ul>
Mechanical effect loses position	<ul style="list-style-type: none"> <li>Mechanical hardware require cleaning, adjustment or lubrication.</li> </ul>	<ul style="list-style-type: none"> <li>Check product stored error messages for more information. Contact PROLIGHTS Service or an authorized service partner.</li> </ul>
Light output turn OFF Intermittently	<ul style="list-style-type: none"> <li>Fixture is too hot.</li> </ul>	<ul style="list-style-type: none"> <li>Check product stored error messages.</li> <li>Allow product to cool.</li> <li>Clean the product and airflow filters.</li> <li>Reduce ambient temperature.</li> </ul>
	<ul style="list-style-type: none"> <li>Hardware failure (temperature sensor, fans, Light source...).</li> </ul>	<ul style="list-style-type: none"> <li>Check product stored error messages for more information. Contact PROLIGHTS Service or an authorized service partner.</li> </ul>
General low light intensity	<ul style="list-style-type: none"> <li>Dirty lens assembly</li> </ul>	<ul style="list-style-type: none"> <li>Clean the fixture regularly.</li> </ul>
	<ul style="list-style-type: none"> <li>Dirty or damaged filters</li> </ul>	<ul style="list-style-type: none"> <li>Install lens assembly properly.</li> </ul>

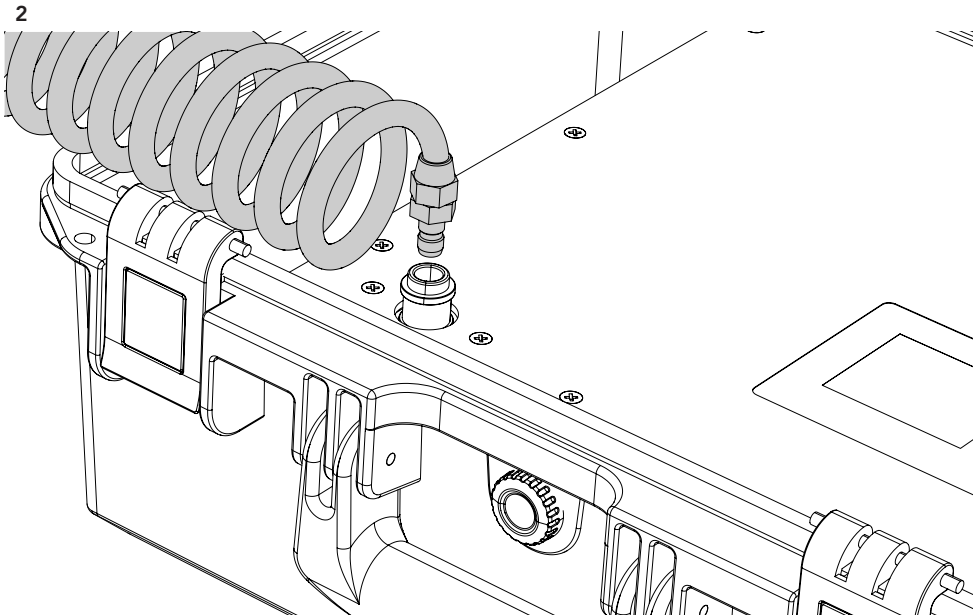
Contact an authorized service center in case of technical problems or not reported in the table can not be resolved by the procedure given in the table.

## 14 - IP65 RATING TEST

It is recommended to verify IP grade using IPTESTBOX every time the bodies are removed for maintenance.

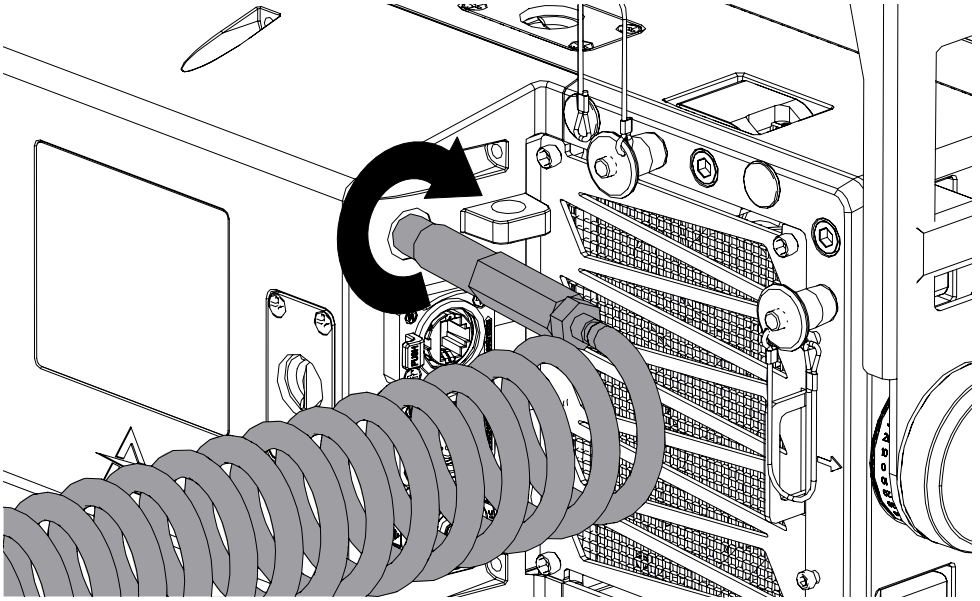


Remove the first gore valve from the side of the projector.



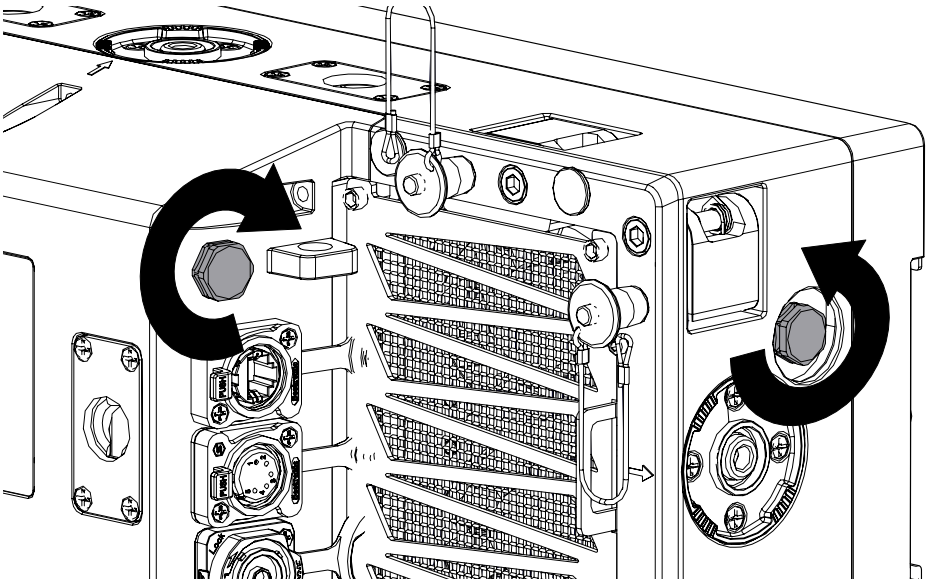
Connect the air hose to the IPTESTBOX by inserting the quick-connect fitting into the coupler.

3



Insert the threaded end into the threaded valve hole socket.

4



For the operating procedure using the instrument, refer to the IPTESTBOX user manual.  
Repeat the same process with the second gore valve

Fig. 19







**PROLIGHTS** is a trademark of  
**MUSIC & LIGHTS S.r.l.**  
**musiclights.it**

Via A.Olivetti snc  
04026 - Minturno (LT) ITALY  
Tel: +39 0771 72190

**prolights.it**  
support@prolights.it