

HR-206 (64/96/124)

High performance, ultra-compact, full range, two way bi-amp/ passive cabinet. It offers a wide dispersion of 60° x 40° / 90° x 60° / 120° x 40° and 122dB SPL (800W program).



Key features

- Ultra-compact light weight
- Versatile sound reinforcement
- High performance
- ARK processor optimised preset
- Multiple rigging/ mounting options

Applications

- Club & bar installations
- Sound reinforcement
- Theatres
- Houses of worship
- Multi media spaces
- Public address

General description & specifications

The HR-206 enclosure is a high-performance passive full range, with an excellent power-size ratio. It consists of two 6.5" transducers (at 8ohm impedance) and a 1" high frequency compression driver.

Different models available depending on the wide dispersion: 60° x 40° (HR-206/64)/ 90° x 60° (HR-206/96) / 120° x 40° (HR-206/124).

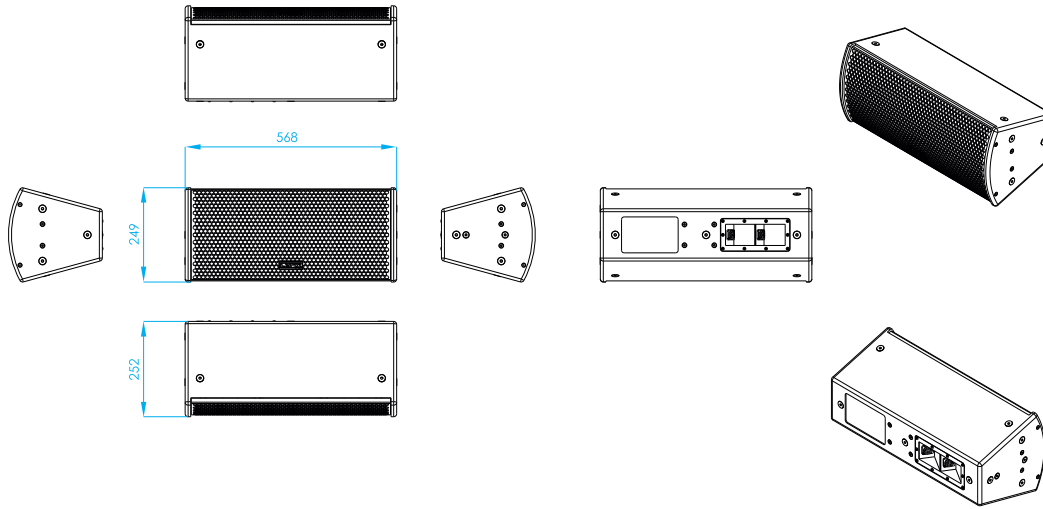
This enclosure offers a selectable operation between bi-amp or passive mode and is ideal for a wide variety of applications and has several accessories that provide an easier installation. Although this cabinet can be used without a processor, we strongly recommend that the cabinet presets are applied for maximum optimization and performance.

For Low Frequency reinforcement, several subwoofer options are available.



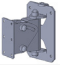

Technical Data

Components	
• LF	2 x 6.5", 2" voice coil
• HF	1" Exit compression Driver, 1.5" aluminium voice coil, High Temperature Polymer
Frequency range	72 Hz – 20 KHz (-10dB)
Frequency response	78 Hz – 20 KHz (± 3dB)
Sensitivity	Passive Mode: 90 dB (1W@1m)
Max SPL	Passive Mode: 116 dB – 122 dB Peak Bi-Amp LF: 116 dB – 122 dB Peak Bi-Amp HF: 128.5 dB – 134.5 dB Peak
Coverage Angle	60° x 40° / 90° x 60° / 120° x 40° rotatable horn
Power	Passive mode: 400 W (800 W program, 1600 W peak) Bi- Amp LF: 400 W (800 W program, 1600 W peak) Bi-Amp HF: 70 W (140 W program, 280W peak)
Crossover	Bi-Amp / Passive (Selectable)
Nominal impedance	8 Ω – also available in 4 Ω
Connectors	2 x Neutrik Speakon NL4MP
Finish	Polyurea coating, black colour
Material	15 mm premium birch plywood
Dimensions	249 x 568 x 252 mm (H x W x D)
Weight	15 Kg (33 lbs)

Dimensional Drawing



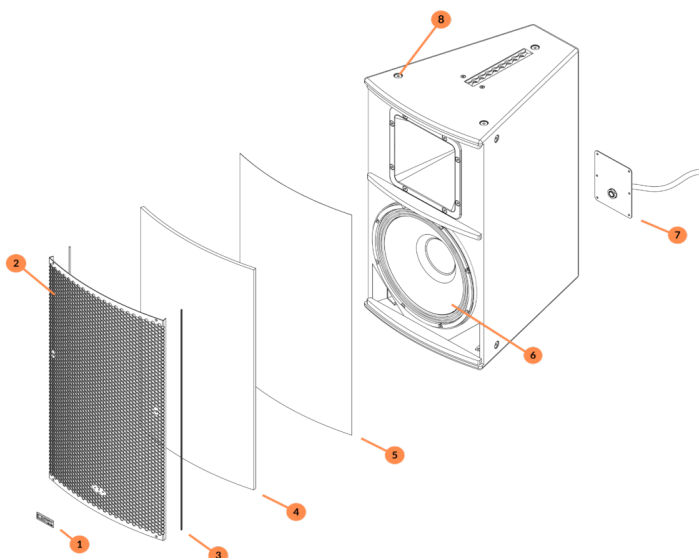
Accessories

	AGR-10	Eye bolt for the HR-206
	UBR-HR26	Horizontal bracket for the HR-206
	WB-20/2	Wall bracket for HR-206
	NOTE: This cabinet is compatible with Konig & Meyer 195/8 mounting adapter for speaker stands with tube diameter 35 mm. This accessory is not provided by Lynx Pro Audio.	

Weather-resistant version

Our Weather-resistant speakers are designed to withstand harder weather conditions, where the cabinets are exposed to the elements. RAL available on request. Polyurea coating with aliphatic colour paint.

Colours:
Black polyurea coating with microtextured metal parts.



- Anodized aluminium logo** for durability outdoors.
- Stainless steel 1 mm 316 L grill**. Also available in aluminum with protective layer and micro textured paint.
- Weatherstrip edging** for extreme protection.
- Acoustex filter**: hydrophobic polyester sheet to prevent the penetration of water and external elements produced by extreme weather conditions.
- 35 ppi Acoustic foam** to protect against dust particles.
- Waterproof protected cone** on both sides
- Aluminum back plate with pressure gland** for an extra tight connection and easy installation.
- M10 stainless steel 316 L screws (A4)**.