



QuikSpot is a battery-driven, zoomable Fresnel-based spotlight optimized for maximum efficiency and designed in a compact, lightweight form factor, with a dedicated ChargingPlate and PrepBox, Removeable Yoke and SafetyLink-ready Barndoors.



Max 20h



Wireless DMX



IP65



App

## SPECIFICATIONS

Order Code	AST-QUKSP
LED Engine	Titan LED Engine
Colors	RGBMintAmber
Output Gain	Yes
Total LED Power	60 W
LED Power Draw	35 W
CRI (Ra)/ TLCI 3200- 6500 K*	≥96
Battery Runtime	up to 20 hours
Battery Runtime (max. Brightness)	4.5 hours
Battery Lifetime	70 % after 500 cycles
Charging Time (nominal)	5 hours
AC Input	100 - 240 VAC, 50 / 60 Hertz 115 VAC - 0.6 A / 230 VAC - 0.3 A
AC Connector	PowerCON TRUE1 IN / OUT
Power Consumption (max.)	50 W
Wired DMX	Yes
CRMX Receiver	Built-in
BluetoothBridge BTB	Built-in
Wireless Protocols	CRMX, UHF, Bluetooth, WiFi
Wireless Range	CRMX/UHF up to 300 m / 330 yds Bluetooth up to 3 m / 3.3 yds
RDM Support	Wireless and wired
Infrared Control	Yes
PrepLink	Yes
IP Rating wired / unwired	IP65
Ambient Operating Temperature	0 - 40 °C / 32 - 104 °F
Weight	3450 g / 7.6 lbs
Dimensions (L x W x D)	164 mm x 164 mm x 182 mm / 6.45" x 6.45" x 7.16"
Mounting Options	AirlineTrack, 3/8" - 16 UNC thread, Yoke (with 3/8" - 16 UNC thread, 1/2" hole)

All specifications provided are typical values and may be subject to change without prior notice.

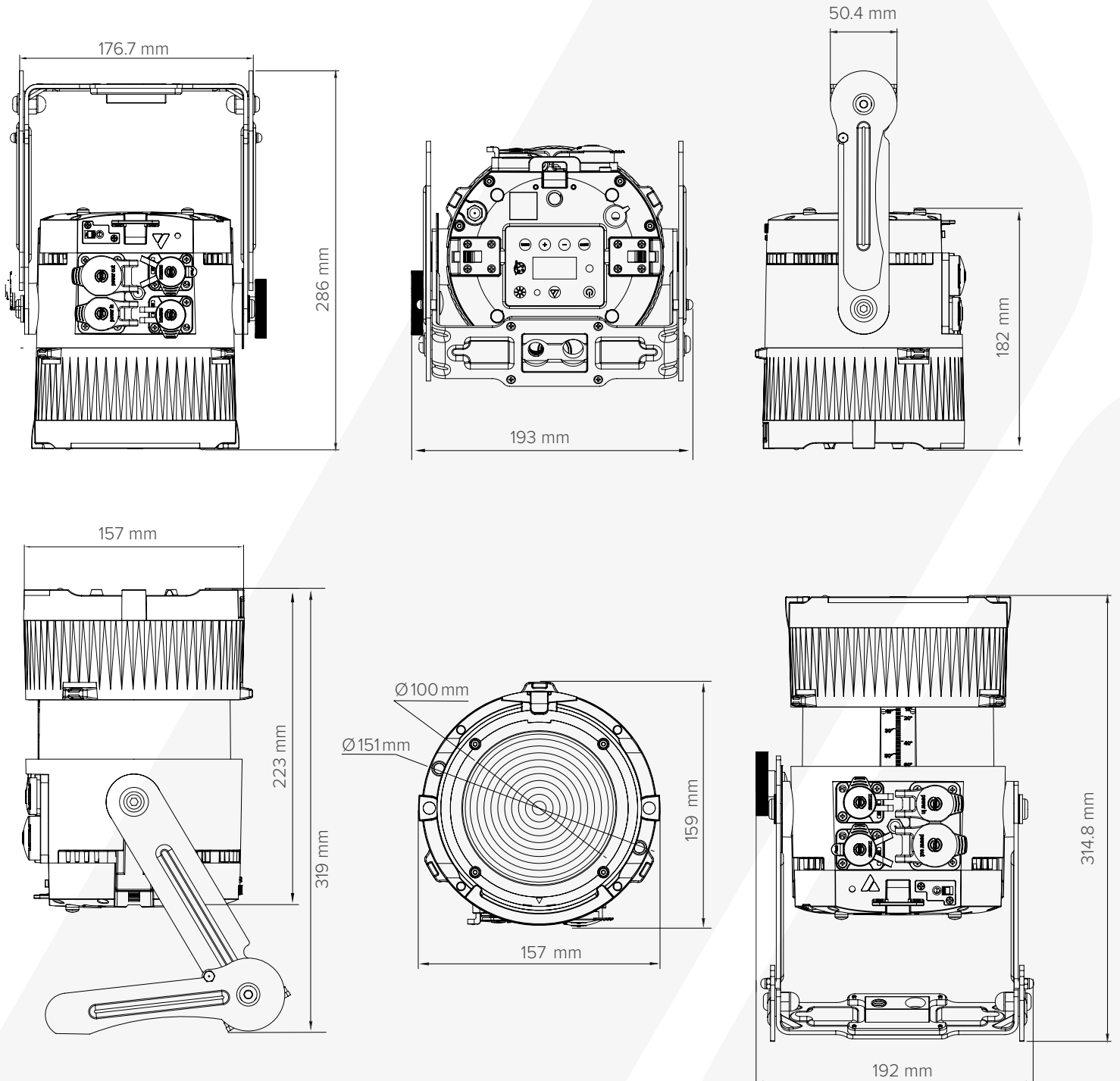
# RF CHARACTERISTICS

Wireless Modules	EU: UHF*** (863-870MHz)	USA: UHF (917-922.20MHz)	AUS: UHF (922.30-927.50MHz)	SGP: UHF (920.50-924.50MHz)	KOR: UHF (917.9-921.5MHz)
Modulation	FHSS	FHSS	FHSS	FHSS	FHSS
ERP (Transmitter)	<25mW	<25mW	<25mW	<25mW	<25mW
Channel Count	47	53	53	41	10

Wireless Modules	RUS: UHF (868.75-869.12MHz)	JPN: UHF (922.80-926.40MHz)	CRMX (2402-2480MHz)	Bluetooth 5.0 LE (2402-2480MHz)	WiFi (2412-2472MHz)
Modulation	FHSS	FHSS	FHSS	FHSS	DSSS, OFDM
ERP (Transmitter)	<25mW	<25mW	-	10mW (BLE)	<100mW
Channel Count	6	19	79	40	13

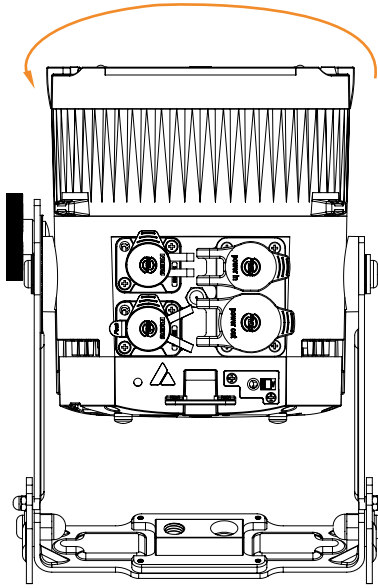
\*\*\*General allocation of frequencies for use by short-range radio applications

# DIMENSIONS

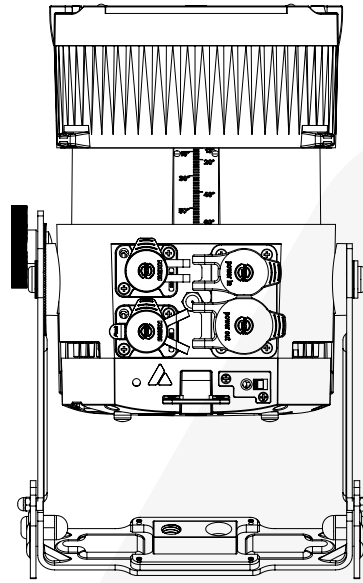


# QUICK TURN

Rotate barrel counter-clockwise to zoom in. Zoom range: 13° to 60°

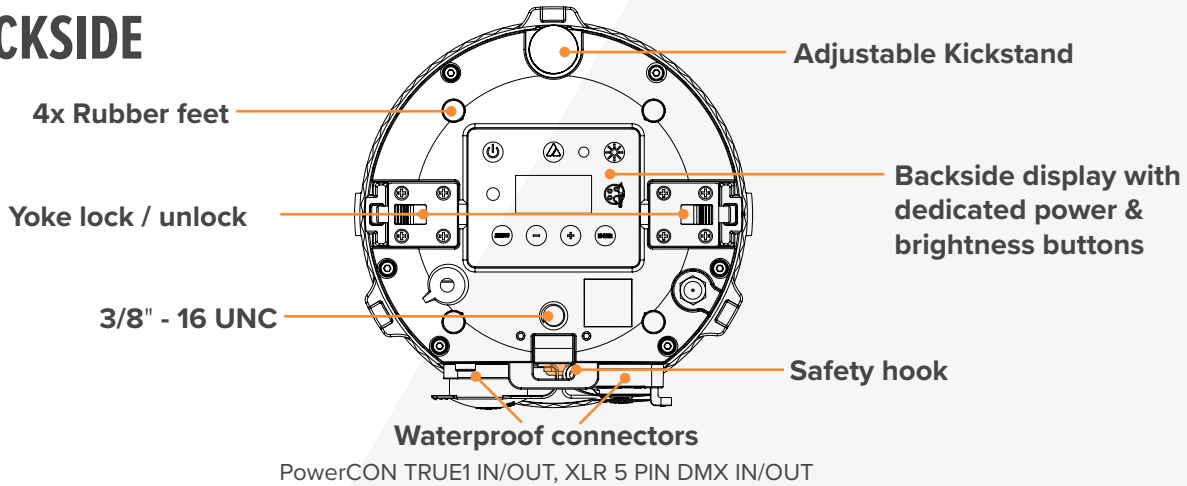


60° Zoom out



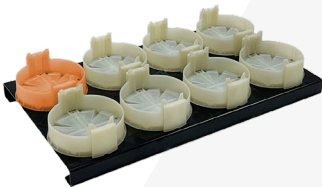
13° Zoom in

## BACKSIDE



## ACCESSORIES

**ChargingPlate**  
AST-QUKSP-CHRPLT



**PrepBox**  
AST-PRPBX



**Barndoor**  
AST-QUKSP-BD



**TrackPin Compact**  
AST-TPC



**FlexCover White**  
AST-QUKSP-FLXCVR-WT-8



**FlexCover Mirror**  
AST-QUKSP-FLXCVR-MIR-8



**Rotatable Filter 17°x46°**  
AX5-ROTAD



**Diffuser Dome**  
AX5-DDM-25 / AX5-DDM



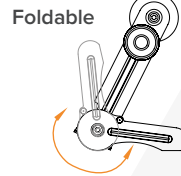
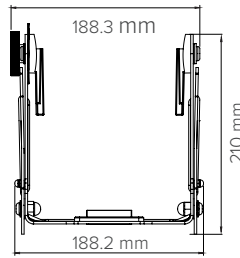
**Snoot**  
AX5-SN



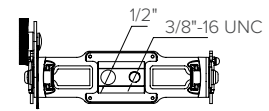
**Yoke**  
AST-QUKSP-YK



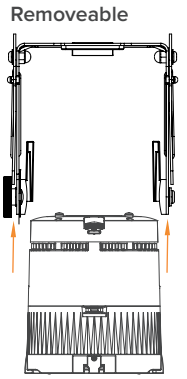
**included**



Foldable



Yoke with  
TrackPin Compact



Removeable

**ChargingCase TruckPack for QuikSpot**

AST-QUKSP-CHRCSE-TP  
not available in all countries



**Can hold**

- 1x ChargingPlate for 8 QuikSpots**  
(AST-QUKSP-CHRPLT)
- 1x PrepBox**  
(AST-PRPBX)
- 8x Barndoor**  
(AST-QUKSP-BD)
- 8x TrackPin Compact**  
(AST-TPC)
- 8x PowerCON TRUE1 Cable**  
(AX5-CHR)
- 1x XLR Cable**  
(AST-XLR-1)
- 8x Rotatable Wallwash Filter for QuikSpot**  
(AX5-ROTAD)

**ChargingCase Compact for QuikSpot**

AST-QUKSP-CHRCSE-CM  
not available in all countries



**Can hold**

- 1x ChargingPlate for 8 QuikSpots**  
(AST-QUKSP-CHRPLT)
- 1x PrepBox**  
(AST-PRPBX)
- 8x Barndoor**  
(AST-QUKSP-BD)
- 8x TrackPin Compact**  
(AST-TPC)
- 8x PowerCON TRUE1 Cable**  
(AX5-CHR)
- 1x XLR Cable**  
(AST-XLR-1)
- 8x Rotatable Wallwash Filter for QuikSpot**  
(AX5-ROTAD)

**TYPICAL SPECTRAS**

