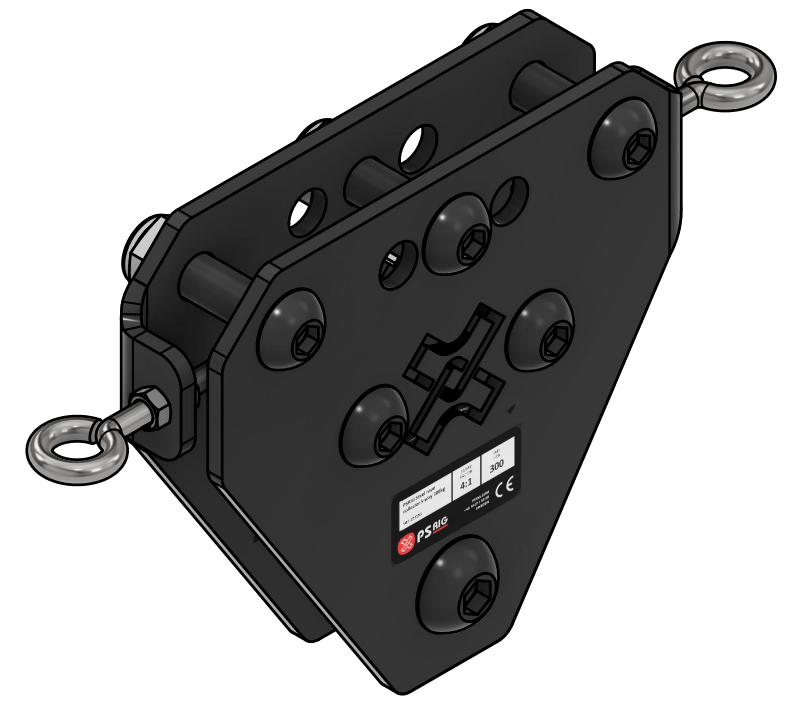
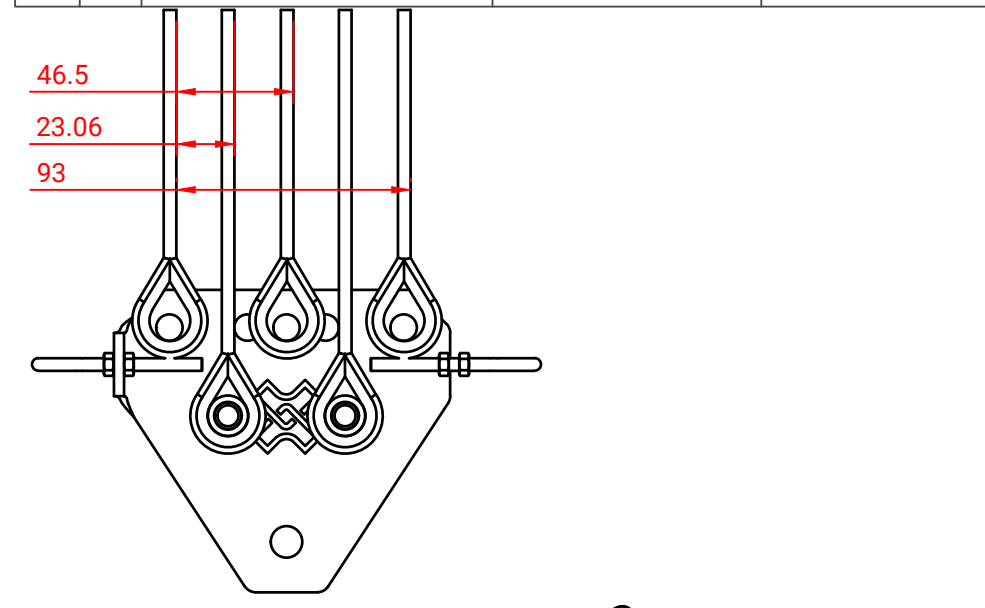


Parts List				
Item	Qty	Part Number	Description	Material
1	2	900-220031	Line collector plate	Steel S255
2	2	900-220011	Spacer 21.5mm	Steel
3	5	M10x40 ISO-7380 10.9 Bolt		Steel
4	5	M10 Nyloc locknut, DIN985		Steel
8	2	710-977200	Eyelet M5	Steel
9	4	M5 Hex nut		Steel
10	1	M12x45 ISO-7380 10.9 Bolt		Steel
11	1	M12 Nyloc locknut, DIN985		Steel



Debur and break sharp edges. General tolerances according to ISO-2768 mK		Material: Steel S355	Treatment: Powdercoated black RAL-9005
Project:	Sheet: D-1	 PRIEBE-SCANRIG AB MALMGATAN 18 602 23 NORRKÖPING +46 10 211 50 50 WWW.PSRIG.COM	
Assembly: 500-223155	Date: 25/10-23		
Part:	Version:		
Description: PSRIG Steel rope collector 5-way 300kg	Drawn by: C.Marlow cm@psrig.com		
The information contained in this drawing is the sole property of PS-RIG. Any reproduction in part or whole without the written permission of PS-RIG is prohibited.		 A3	