

DMX CHARTS

RDM Personality ID List

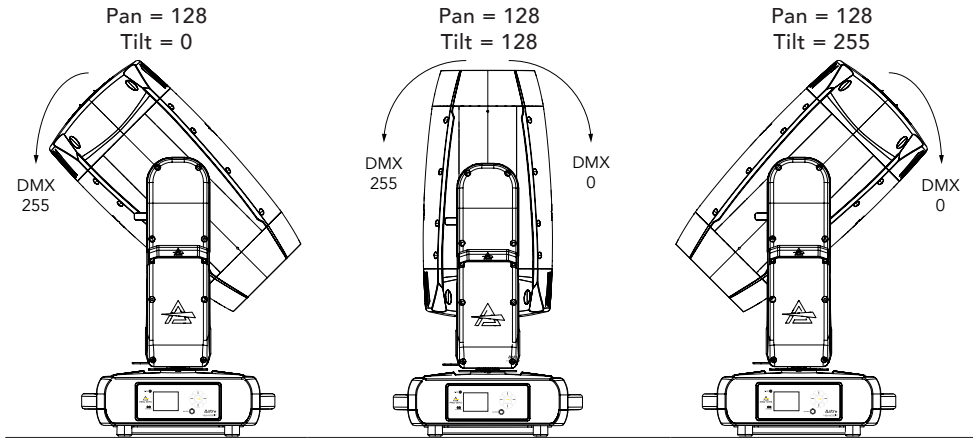
ID	DMX Mode	Footprint
1	STANDARD	33
2	EXTENDED	37

RDM Model ID

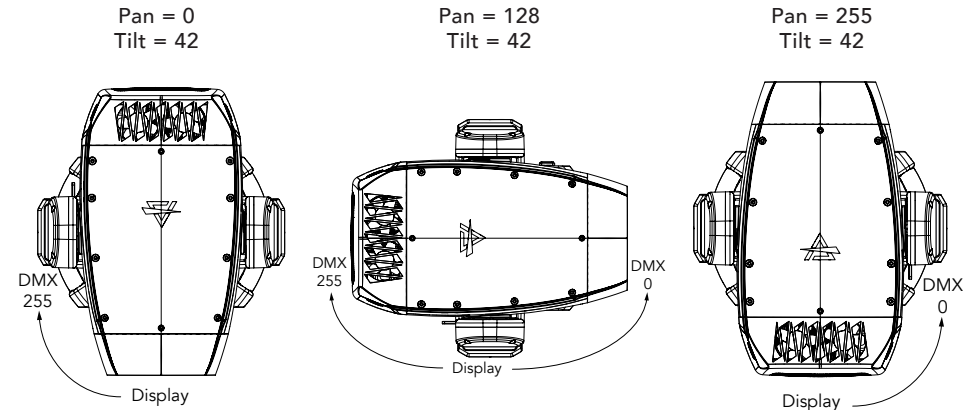
0xA031

PAN/TILT POSITION RELATED TO DMX VALUES

Home position set to STANDARD



Tilt movement range: 270°
Pan movement range: 540°



DMX Chart Summary

DMX MODE		Function	DMX MODE		Function
STANDARD 33 ch	EXTENDED 37 ch		STANDARD 33 ch	EXTENDED 37 ch	
1	1	Pan	25	29	Focus Fine
2	2	Pan fine	26	30	Zoom Mode
3	3	Tilt	27	31	PSZ (Pan safety zone)
4	4	Tilt fine	28	32	PSZ fine
5	5	Pan rotation	29	33	PSZ size
6	6	Tilt rotation	30	34	TSZ (Tilt safety zone)
7	7	Dimmer	31	35	TSZ fine
8	8	Dimmer Fine	32	36	TSZ size
9	9	Shutter	33	37	Control
10	10	Cyan			
11	11	Magenta			
12	12	Yellow			
-	13	CTO			
-	14	Color Wheel 1			
-	15	Color Wheel 1 Fine			
13	-	CTO + Filters			
14	16	Color Wheel 2			
-	17	Color Wheel 2 Fine			
15	18	Rot Gobo Wheel			
16	19	Gobo Rot			
-	20	Gobo Rot Fine			
17	21	Fixed Gobo			
18	22	FX Wheel A			
19	23	Prism Wheel A Rotation			
20	24	FX Wheel B			
21	25	Prism Wheel B Rotation			
22	26	Zoom			
23	27	Zoom Fine			
24	28	Focus			

DMX MODE		Name	Function	DMX		Default								
STANDARD 33 ch	EXTENDED 37 ch			FROM	TO									
1	1	Pan	Pan movement	0	255	128								
2	2	Pan fine	Fine pan movement	0	255	128								
3	3	Tilt	Tilt movement	0	255	128								
4	4	Tilt fine	Fine tilt movement	0	255	128								
5	5	Pan rotation	Spinout stop	0	20	0								
			Shortcut stop	21	41									
			Forwards Pan rotation from fast to slow	42	142									
			No rotation	143	154									
			Backwards Pan rotation from slow to fast	155	255									
6	6	Tilt rotation	Spinout stop	0	20	0								
			Shortcut stop	21	41									
			Forwards Pan rotation from fast to slow	42	142									
			No rotation	143	154									
7	7	Dimmer	Dimmer intensity 0 – 100%	0	255	0								
			8	8	Dimmer Fine		Fine dimming	0	255	0				
							9	9	Shutter		Open	0	1	255
											Strobe from slow to fast	2	62	
Open	63	64												
Pulse in from slow to fast	65	125												
Close	126	127												
Pulse out from slow to fast	128	188												
Open	189	190												
Random from slow to fast	191	251												
Open	252	255												
10	10	Cyan	Linear saturation 0 – 100%	0	255	0								
11	11	Magenta	Linear saturation 0 – 100%	0	255	0								
12	12	Yellow	Linear saturation 0 – 100%	0	255	0								
	13	CTO	Linear saturation 7000K to 2700K	0	255	0								
-	14	Color Wheel 1	Color Positioning				0							
			Open	0										
			Open + UV	1	17									
			UV	18										
			UV + Congo Blue	19	35									
			Congo Blue	36										
			Congo Blue + Minus Green 1/4	37	53									
			Minus Green 1/4	54										
			Minus Green 1/4 + Minus Green 1/2	55	71									
			Minus Green 1/2	72										
			Minus Green 1/2 + CTB 1/2	73	89									
			CTB 1/2	90										
			CTB 1/2 + CTB 1/4	91	107									
			CTB 1/4	108										
			CTB 1/4 + CTB	109	125									
			CTB	126										

DMX MODE		Name	Function	DMX		Default		
STANDARD 33 ch	EXTENDED 37 ch			FROM	TO			
-	14	Color Wheel 1	CTB + Light Amber	127	143	0		
			Light Amber	144	159			
			Color Slot					
			Open	160	163			
			UV	164	167			
			Congo Blue	168	171			
			Minus Green 1/4	172	175			
			Minus Green 1/2	176	179			
			CTB 1/2	180	183			
			CTB 1/4	184	187			
			CTB	188	191			
			Light Amber	192	195			
			CTO	196	199			
			Color Wheel Rotation					
			Forward rainbow - Fast to slow	200	224			
			No rotation	225	230			
Backwards rainbow - Slow to fast	231	255						
-	15	Color Wheel 1 Fine	Fine positioning	0	255	0		
13	-	CTO + Filters	Lineary CTO from 0% to 100%	0	221	0		
			Light Amber	222				
			Light Amber + CTB	223	225			
			CTB	226				
			CTB + CTB 1/4	227	229			
			CTB 1/4	230				
			CTB 1/4 + CTB 1/2	231	233			
			CTB 1/2	234				
			CTB 1/2 + Minus Green 1/2	235	237			
			Minus Green 1/2	238				
			Minus Green 1/2 + Minus Green 1/4	239	241			
			Minus Green 1/4	242				
			Minus Green 1/4 + Congo Blue	243	245			
			Congo Blue	246				
			Congo Blue + UV	247	249			
			UV	250				
			UV + Open	251	253			
Open	254	255						

DMX MODE		Name	Function	DMX		Default	
STANDARD 33 ch	EXTENDED 37 ch			FROM	TO		
14	16	Color Wheel 2	Color Positioning				0
			Open	0			
			Open + Red	1	6		
			Red	7			
			Red + Deep Purple	8	13		
			Deep Purple	14			
			Deep Purple + Yellow	15	20		
			Yellow	21			
			Yellow + Velvet Green	22	27		
			Velvet Green	28			
			Velvet Green + Magenta	29	34		
			Magenta	35			
			Magenta + Blue	36	41		
			Blue	42			
			Blue + Orange	43	48		
			Orange	49			
			Orange + Green	50	55		
			Green	56			
			Green + Amber	57	62		
			Amber	63			
			Amber + Light Blue	64	69		
			Light Blue	70			
			Light Blue + Light Red	71	76		
			Light Red	77			
			Light Red + Arctic Lime	78	83		
			Arctic Lime	84			
			Arctic Lime + Pink	85	90		
			Pink	91			
			Pink + Dark Green	92	97		
			Dark Green	98			
			Dark Green + Medium BLue	99	104		
			Medium BLue	105			
			Medium BLue + Dark Amber	106	111		
			Dark Amber	112			
			Dark Amber + Aquamarine	113	118		
			Aquamarine	119			
			Aquamarine + Tropical Violet	120	125		
			Tropical Violet	126			
			Tropical Violet + Slate Blue	127	132		
			Slate Blue	133			
			Slate Blue + Open	134	139		
			Open	140	159		
			Color Slot				
			Open	160	161		
			Red	162	163		

DMX MODE		Name	Function	DMX		Default		
STANDARD 33 ch	EXTENDED 37 ch			FROM	TO			
14	16	Color Wheel 2	Deep Purple	164	165	0		
			Yellow	166	167			
			Velvet Green	168	169			
			Magenta	170	171			
			Blue	172	173			
			Orange	174	175			
			Green	176	177			
			Amber	178	179			
			Light Blue	180	181			
			Light Red	182	183			
			Arctic Lime	184	185			
			Pink	186	187			
			Dark Green	188	189			
			Medium BLue	190	191			
			Dark Amber	192	193			
			Aquamarine	194	195			
			Tropical Violet	196	197			
			Slate Blue	198	199			
			Color Wheel Rotation					
			Forward rainbow - Fast to slow				200	224
No rotation			225	230				
Backwards rainbow - Slow to fast			231	255				
-	17	Color Wheel 2 Fine	Fine positioning	0	255	0		
15	18	Rot Gobo Wheel	Open	0	9	0		
			Gobo Indexing (set next ch)					
			GOBO 1				10	11
			GOBO 2				12	13
			GOBO 3				14	15
			GOBO 4				16	17
			GOBO 5				18	19
			GOBO 6				20	21
			GOBO 7				22	23
			GOBO 8				24	25
			GOBO 9				26	27
			GOBO 10				28	29
			GOBO 11				30	31
			GOBO 12				32	33

DMX MODE		Name	Function	DMX		Default	
STANDARD 33 ch	EXTENDED 37 ch			FROM	TO		
15	18	Rot Gobo Wheel	Gobo Rotation (set next ch)				0
			GOBO 1	34	35		
			GOBO 2	36	37		
			GOBO 3	38	39		
			GOBO 4	40	41		
			GOBO 5	42	43		
			GOBO 6	44	45		
			GOBO 7	46	47		
			GOBO 8	48	49		
			GOBO 9	50	51		
			GOBO 10	52	53		
			GOBO 11	54	55		
			GOBO 12	56	57		
			Gobo shaking - Slow to fast (Index on next channel)				
			GOBO 1	58	68		
			GOBO 2	69	79		
			GOBO 3	80	90		
			GOBO 4	91	101		
			GOBO 5	102	112		
			GOBO 6	113	123		
			GOBO 7	124	134		
			GOBO 8	135	145		
			GOBO 9	146	156		
			GOBO 10	157	167		
			GOBO 11	168	178		
			GOBO 12	179	193		
			Gobo Wheel Rotation				
Forward wheel rotation - Fast to slow	194	223					
No rotation	224	225					
Backwards wheel rotation - Slow to fast	226	255					
16	19	Gobo Rot	Gobo Indexing				0
			Gobo index 0° - 360°	0	255		
			Gobo Rotation				
			No rotation	0	0		
			Forward gobo rotation - Fast to slow	1	127		
No rotation	128	128					
Backwards gobo rotation - Slow to fast	129	255					
-	20	Gobo Rot Fine 1	Fine indexing/rotation	0	255	0	

DMX MODE		Name	Function	DMX		Default			
STANDARD 33 ch	EXTENDED 37 ch			FROM	TO				
17	21	Fixed Gobo	Open	0	19	0			
			GOBO 1	20	20				
			GOBO 2	21	21				
			GOBO 3	22	22				
			GOBO 4	23	23				
			GOBO 5	24	24				
			GOBO 6	25	25				
			GOBO 7	26	26				
			GOBO 8	27	27				
			GOBO 9	28	28				
			GOBO 10	29	29				
			GOBO 11	30	30				
			GOBO 12	31	31				
			GOBO 13	32	32				
			GOBO 14	33	33				
			GOBO 15	34	34				
			GOBO 16	35	35				
			GOBO 17	36	36				
			GOBO 18	37	37				
			GOBO 19	38	38				
			GOBO 20	39	39				
			GOBO 21	40	40				
			GOBO 22	41	41				
			GOBO 23	42	42				
			GOBO 24	43	43				
			GOBO 25	44	44				
			GOBO 26	45	45				
			GOBO 27	46	46				
			GOBO 28	47	47				
			GOBO 29	48	48				
			Gobo shaking - Slow to fast						
			GOBO 1	49	53				
			GOBO 2	54	58				
			GOBO 3	59	63				
			GOBO 4	64	68				
			GOBO 5	69	73				
			GOBO 6	74	78				
			GOBO 7	79	83				
			GOBO 8	84	88				
			GOBO 9	89	93				
			GOBO 10	94	98				
			GOBO 11	99	103				
			GOBO 12	104	108				
			GOBO 13	109	113				
			GOBO 14	114	118				

DMX MODE		Name	Function	DMX		Default			
STANDARD 33 ch	EXTENDED 37 ch			FROM	TO				
17	21	Fixed Gobo	GOBO 15	119	123	0			
			GOBO 16	124	128				
			GOBO 17	129	133				
			GOBO 18	134	138				
			GOBO 19	139	143				
			GOBO 20	144	148				
			GOBO 21	149	153				
			GOBO 22	154	158				
			GOBO 23	159	163				
			GOBO 24	164	168				
			GOBO 25	169	173				
			GOBO 26	174	178				
			GOBO 27	179	183				
			GOBO 28	184	188				
			GOBO 29	189	193				
			Gobo Wheel Rotation						
			Forward wheel rotation - Fast to slow				194	223	
No rotation			224	225					
Backwards wheel rotation - Slow to fast			226	255					
18	22	FX Wheel A	Open	0	29	0			
			Prism Indexing (set next ch)						
			Prism A.1	30	49				
			Prism A.2	50	69				
			Prism A.3	70	89				
			Prism A.4	90	109				
			Prism Rotation (set next ch)						
			Prism A.1	110	129				
			Prism A.2	130	149				
			Prism A.3	150	169				
			Prism A.4	170	189				
Frost									
Frost A.1			190	255					
19	23	Prism Wheel A Index/ Rotation	Prism Indexing			0			
			Prism Indexing	0	255				
			Prism Rotation						
			Prism No Rotation	0	0				
			Prism forward rotation fast to slow	1	127				
			Prism No Rotation	128	128				
Prism backwards rotation slow to fast			129	255					

DMX MODE		Name	Function	DMX		Default	
STANDARD 33 ch	EXTENDED 37 ch			FROM	TO		
20	24	FX Wheel B	Open	0	29	0	
			Prism Indexing (set next ch)				
			Prism B.1	30	49		
			Prism B.2	50	69		
			Prism B.3	70	89		
			Prism B.4	90	109		
			Prism Rotation (set next ch)				
			Prism B.1	110	129		
			Prism B.2	130	149		
			Prism B.3	150	169		
			Prism B.4	170	189		
			Frost				
Frost A.1	190	255					
21	25	Prism Wheel B Index/ Rotation	Prism Indexing				0
			Prism Indexing	0	255		
			Prism Rotation				
			Prism No Rotation	0	0		
			Prism forward rotation fast to slow	1	127		
			Prism No Rotation	128	128		
Prism backwards rotation slow to fast	129	255					
22	26	Zoom	Zoom from min to max beam angle	0	255	128	
23	27	Zoom Fine	Fine zooming	0	255	0	
24	28	Focus	Focus adjustment	0	255	128	
25	29	Focus Fine	Fine focusing	0	255	0	
26	30	Zoom Mode	Beam Mode	0	49	0	
			Spot Mode	50	99		
			Far mode	100	149		
			Raw mode	150	199		
			Reserved	200	255		
27	31	PSZ	Pan safety zone start value	0	255	0	
28	32	PSZ fine		0	255	0	
29	33	PSZ size	Off	0	0	0	
			Safety zone size 0% to 100%	1	255	0	
30	34	TSZ		0	255	0	
31	35	TSZ fine	Tilt safety zone start value	0	255	0	
32	36	TSZ size	Off	0	0	0	
			Safety zone size 0% to 100%	1	255	0	
33	37	Control	No Function/Safe	0	1	0	
			PAN REVERSE ON	2	3		
			PAN REVERSE OFF	4	5		
			TILT REVERSE ON	6	7		
			TILT REVERSE OFF	8	9		
			PAN/TILT MODE FAST	10	11		
			PAN/TILT MODE MEDIUM	12	13		
			PAN/TILT MODE SLOW	14	15		

DMX MODE		Name	Function	DMX		Default
STANDARD 33 ch	EXTENDED 37 ch			FROM	TO	
33	37	Control	MOVEMENT IN BLACKOUT ON	16	17	
			MOVEMENT IN BLACKOUT OFF	18	19	
			COLOR WHEEL BLACKOUT ON (index)	20	21	
			COLOR WHEEL BLACKOUT OFF (index)	22	23	
			CTO WHEEL BLACKOUT ON (index)	24	25	
			CTO WHEEL BLACKOUT OFF (index)	26	27	
			ROTATING GOBO WHEEL BLACKOUT ON (index)	28	29	
			ROTATING GOBO WHEEL BLACKOUT OFF (index)	30	31	
			FIXED GOBO WHEEL BLACKOUT ON (index)	32	33	
			FIXED GOBO WHEEL BLACKOUT OFF (index)	34	35	
			HOME MODE STANDARD	36	37	
			HOME MODE CUSTOM	38	39	
			DISPLAY ON	40	41	
			DISPLAY 10S	42	43	
			DISPLAY 20S	44	45	
			DISPLAY 30S	46	47	
			FLIP DISPLAY ON	48	49	
			FLIP DISPLAY OFF	50	51	
			FLIP DISPLAY AUTO	52	53	
			KEY LOCK ON	54	55	
			KEY LOCK OFF	56	57	
			FAN MODE AUTO	58	59	
			FAN MODE SILENT	60	61	
			FAN MODE HIGH	62	63	
			NO SIGNAL HOLD	64	65	
			NO SIGNAL BLACKOUT	66	67	
			STATUS LED ON	68	69	
			STATUS LED OFF	70	71	
			DIMMER CURVE LINEAR	72	73	
			DIMMER CURVE S-CURVE	74	75	
			DIMMER CURVE SQUARE LAW	76	77	
			DIMMER CURVE INVERSE SQUARE LAW	78	79	
			DIMMER SPEED AUTO	80	81	
			DIMMER SPEED FAST	82	83	
			DIMMER SPEED MEDIUM	84	85	
			DIMMER SPEED SLOW	86	87	
			SOURCE FREQUENCY 600HZ	88	89	
			SOURCE FREQUENCY 1200HZ	90	91	
			SOURCE FREQUENCY 2000HZ	92	93	
			SOURCE FREQUENCY 4000HZ	94	95	
			SOURCE FREQUENCY 6000HZ	96	97	
			SOURCE FREQUENCY 25KHZ	98	99	

0

DMX MODE		Name	Function	DMX		Default
STANDARD 33 ch	EXTENDED 37 ch			FROM	TO	
33	37	Control	SOURCE FREQUENCY 50KHZ	100	101	0
			INVERT ZOOM OFF	102	103	
			INVERT ZOOM ON	104	105	
			RESET ALL	106	107	
			RESET PAN/TILT	108	109	
			RESET PAN	110	111	
			RESET TILT	112	113	
			RESET CYAN	114	115	
			RESET MAGENTA	116	117	
			RESET YELLOW	118	119	
			RESET CTO + COLORS	120	121	
			RESET COLOR WHEEL	122	123	
			RESET ROTATING GOBO	124	125	
			RESET GOBO ROTATION	126	127	
			RESET FIXED GOBO	128	129	
			RESET ZOOM	130	131	
			RESET FOCUS	132	133	
			RESET FX WHEEL 1	134	135	
			RESET FX WHEEL 2	136	137	
			RESET OTHER	138	139	
Reserved	140	251				
FACTORY DEFAULT OF CONTROL FUNCTIONS	252	253				
Reserved	254	255				