

BTI-BLINDER 1 FX

DESCRIPTION

Super compact, versatile and powerful waterproof 70W LED white blinder with amber drift effect and 12W RGB AURA-effects with full pixel control

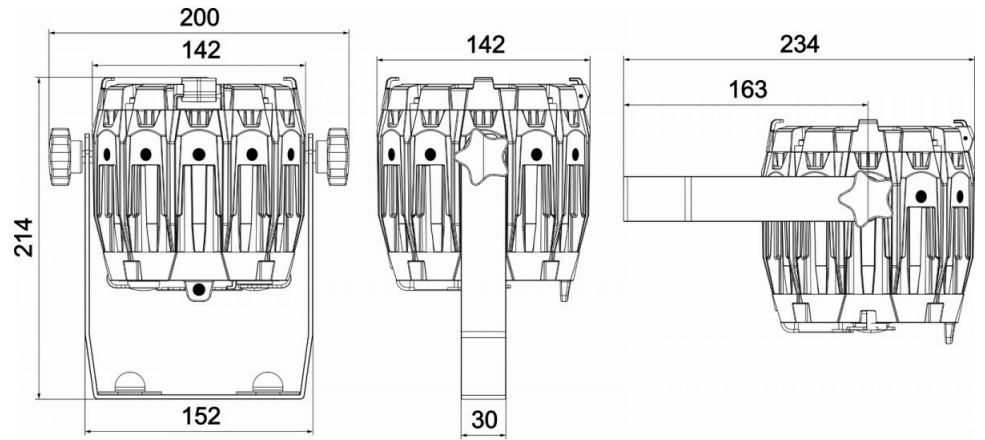
FEATURES

- Powerful **70W LED white blinder with amber drift effect**, behaves exactly like a halogen blinder!
- **12W RGB AURA-effects** with full pixel control & 25 pre-programmed 2-layer effects.
- Rugged die-cast ALU-housing with waterproof IP65 rating!
- Extremely versatile mechanical mounting options:
 - Use **SPLICE connectors** and your imagination to mechanically assemble multiple blinders into spectacular lines, circles, squares, ...
 - Use **CLAMP connectors** to mount the blinder constructions directly into the truss.
 - Use an optional omega bracket to mount the projector with hanging bracket in the truss.
- Preprogrammed amber drift effect and/or separate control for white & amber!
- **Tunable CCT:** from 1650K to 2700K
- 7 DMX-modes, both 8bit and 16bit: from 1 to 58ch
- Control channel with remote DMX-control for "red shift", dimmer speed/curves, pixel order, ...
- RDM-function for: channel mode, DMX-address, temperature monitoring, ...
- OLED display with backlit touch buttons for easy configuration, even in the dark.
- No dedicated controller needed, fully self-contained operation with easy daisy chaining:
 - PowerCON TRUE1 compatible in/out
 - Waterproof 5pin XLR in/out
- Optional modification kit available (BT-XLR5TO3 KIT) to modify IP 5pin-XLR to 3pin-XLR
- Build-in 100V~240V 50/60Hz Power supply.
- The SPLICE and CLAMP connectors are optionally available!



TECHNICAL SPECIFICATIONS

General : Dimensions (cm)	See drawings
General : Weight (kg)	2
General : Powerinput	AC 100 - 240V, 50/60Hz
General : Energy Label	No
General : Power consumption W	75
General : Color	black
General : Display	OLED
General : Fixation	optional omega bracket
General : IP rating	outdoor
Control : Modes	standalone fixed, manual, DMX
Control : Protocol	DMX, RDM
Control : programmable	No
Control : upgradable software	No
Control : minimum DMX channels	1
Control : maximum DMX channels	58
Light : lamp socket	No
Light : lamp	LED
Light : min. color temperature (K)	1650
Light : max. color temperature (K)	2700
Light : CRI	70
Light : colors	RGB
Light : mix colors	Yes
Light : max. refresh rate (kHz)	No
Connections : input	5 pin XLR, PowerCon® TRUE1 or compatible
Connections : output	5 pin XLR, PowerCon® TRUE1 or compatible
Brand	BRITEQ
EANCode	5420025651936
SKU	B05193



YOUR DEALER

