

# BTI-BLIZZARD WASH2

## DESCRIPTION

Powerful and robust outdoor moving wash equipped with 19x50W RGBL LEDs, full pixel controlled by DMX, Artnet & sACN. NFC and wireless DMX equipped as standard.

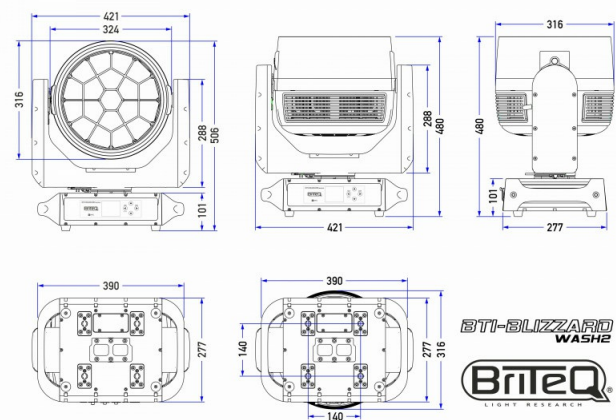
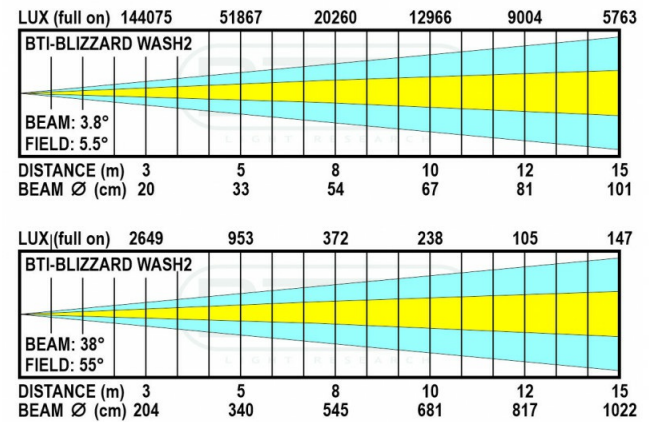
## FEATURES

- BTI-BLIZZARD WASH2 is a very powerful outdoor moving wash.
- **IP65 protection and low noise operation:** perfect for both **outdoor and indoor use!**
- Based on 19x 50W **RGBL** light sources.
- Using LIME instead of WHITE provides a **wider color palette and perfect white** with high CRI.
- Different “Hi-CRI” CCT presets from 1800K to 10000K
- Very high & constant light output: 52000 lux @5m (3.8°) - 950 lux @5m (38°).
- Very smooth **24bit dimmer** with fast and slow dimming mode.
- Four dimmer curves: linear, square, inverse square, S-curve.
- RGB halo-ring with nice build-in “eye-candy” effect macros.
- RGB mask with 12 segment pixel control and build-in effect macros.
- Fast 16bit pan/tilt movements with position correction and pan/tilt speed channel.
- Super silent fan mode for theater applications.
- Different modes, ranging from 26 to 133 DMX channels + RDM-functionality for easy remote setup.
- Full support for Art-Net™ and sACN!
- Pixels externally controllable with Art-Net™ or sACN while controlling the movements via DMX.
- **Built-in wireless DMX-receiver** (W-DMX / CRMX compatible).
- The matrix LCD-display assures easy navigation in the different setup menus.
- **NFC-function:** read error codes and other information, perfect for dry-hire companies!  
(Dedicated APP still under development)
- 5pin DMX in/outputs + RJ45 in/out + PowerCON TRUE1 compatible.
- DMX in/outputs can be very easily converted to 3pin XLR with BT-XLR5TO3 kit.
- Optional backup battery: settings can be made without connecting the unit to mains.
- Equipped with omega brackets for fast installation.

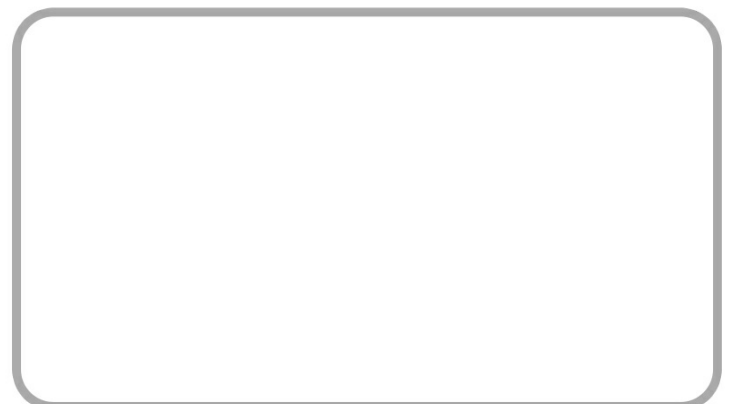


## TECHNICAL SPECIFICATIONS

<b>General : Dimensions (cm)</b>	42.1 x 31.6 x 48(H)
<b>General : Weight (kg)</b>	22.3
<b>General : Powerinput</b>	AC 100 - 240V, 50/60Hz
<b>General : Energy Label</b>	No
<b>General : Power consumption W</b>	1000
<b>General : Color</b>	black
<b>General : Display</b>	LCD
<b>General : Fixation</b>	included omega bracket
<b>General : IP rating</b>	outdoor
<b>Control : Modes</b>	standalone fixed, standalone automatic, manual, DMX
<b>Control : Protocol</b>	Art-Net, sACN, DMX, Wireless DMX, RDM
<b>Control : programmable</b>	Yes
<b>Control : upgradable software</b>	No
<b>Control : minimum DMX channels</b>	26
<b>Control : maximum DMX channels</b>	133
<b>Light : lamp socket</b>	No
<b>Light : Lux</b>	51867 @5m ( beam 3.8° )
<b>Light : lumen</b>	8700
<b>Light : lamp</b>	LED
<b>Light : min. color temperature (K)</b>	1800
<b>Light : max. color temperature (K)</b>	10000
<b>Light : CRI</b>	80
<b>Light : colors</b>	Lime, RGBL
<b>Light : mix colors</b>	Yes
<b>Light : functions</b>	motorized zoom
<b>Light : min. beam angle (°)</b>	3.8
<b>Light : max. beam angle (°)</b>	38
<b>Light : max. refresh rate (kHz)</b>	25
<b>Connections : input</b>	5 pin XLR, RJ45, rdm, PowerCon® TRUE1 or compatible
<b>Connections : output</b>	5 pin XLR, RJ45, rdm, PowerCon® TRUE1 or compatible
<b>Brand</b>	BRITEQ
<b>EANCode</b>	5420025655866
<b>SKU</b>	B05586



YOUR DEALER



[WWW.BRITEQ-LIGHTING.COM](http://WWW.BRITEQ-LIGHTING.COM) | [WWW.FACEBOOK.COM/BRITEQ](http://WWW.FACEBOOK.COM/BRITEQ)

BEGLEC NV HAS THE RIGHT TO CHANGE PRODUCTS AND SPECIFICATIONS WITH AND WITHOUT NOTICE. MAJOR AS WELL AS MINOR CHANGES CAN BE INVOLVED. THIS LEAFLET CAN CONTAIN ERRORS, THEREFORE WE ADVISE TO CONSULT YOUR LOCAL DEALER TO ENSURE THAT ACTUAL FEATURES AND SPECIFICATIONS MATCH YOUR REQUIREMENTS. COPYRIGHT © 2025 BY BEGLEC NV. ALL RIGHTS RESERVED.