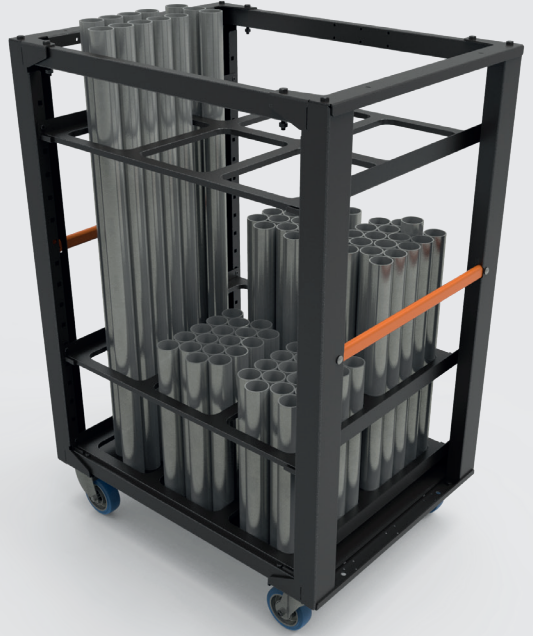




**ADMIRAL**  
STAGING

Assembly Instructions

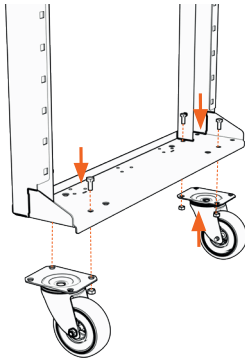
# STAGE LEG CART



# ASSEMBLY INSTRUCTIONS

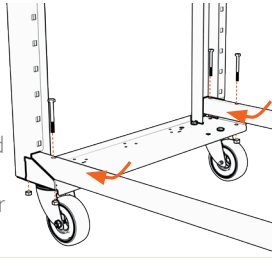
## Step 1

Place the castors at the bottom of the side panel. Align the holes from the castor on the bottom plate and fasten (hand tight) each castor with two M8x16 bolts. Repeat this process with the other side panel.



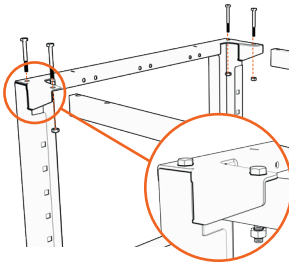
## Step 2

Place the length profile on the bottom plate of the side panel, align with the outer holes and fasten (hand tight) each length profile and castor with two M8x55 bolts.



## Step 3

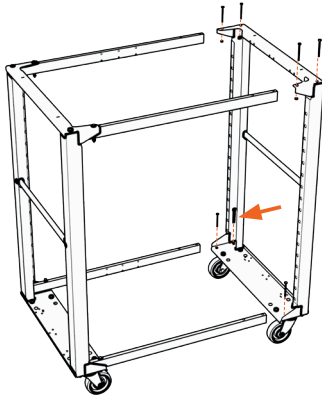
Place the length profile under the upper plate of the side panel and fasten (hand tight) each length profile with two M8x60 bolts.



## Step 4

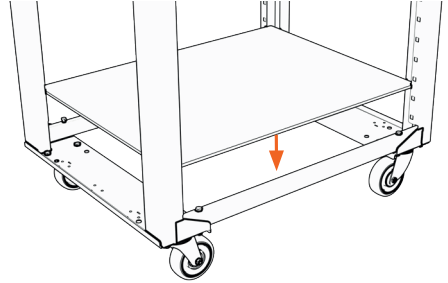
Place the other side panel to the length profiles and fixate them with the M8x55 bolts on the bottom and M8x60 on the top.

Tighten all the bolts with a minimum torque setting of 25 Nm.



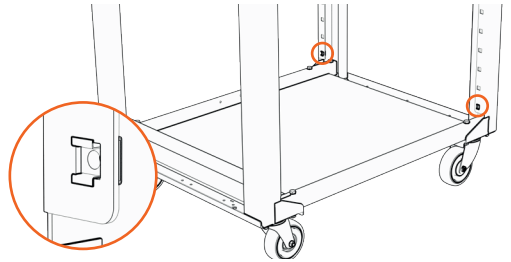
## Step 5

Place the bottom plate onto the side panel flange, between the length profiles (with the rubber side up).



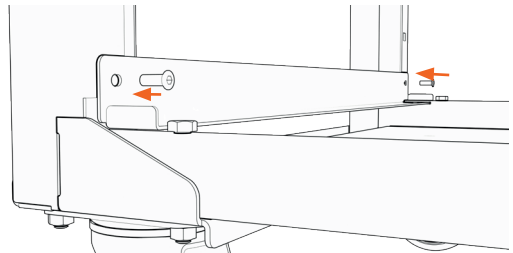
## Step 6

Install the cage nuts in all lower positions on the side panels.



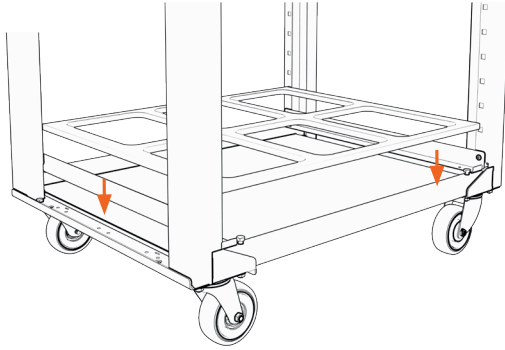
## Step 7

Attach the drawer profiles to the side panels and fasten with the flat-head M6 bolts.



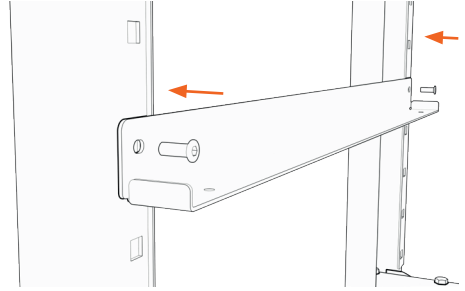
### Step 8

Place the organiser plate in the drawer profiles.



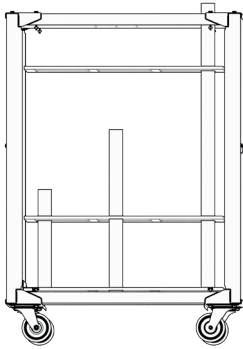
### Step 10

Place the drawer profiles on the side panels and fasten the flat M6 bolts.



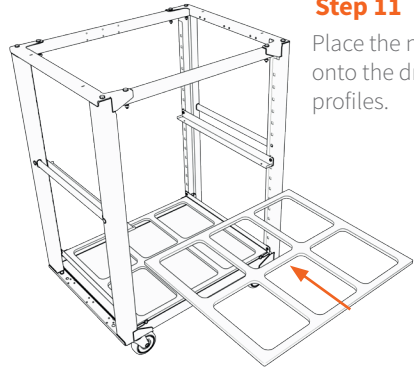
**TIP** Before installing the next cage nut, determine which stage leg size will be used in the cart.

When you are using multiple lengths, base the position on the shortest leg length.



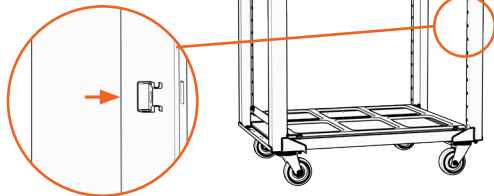
### Step 11

Place the next plate onto the drawer profiles.



### Step 9

Place the cage nut at the correct height in the side panels.



### Step 12

Start putting the stage legs in the cart.

