

Photometric Test Report



VERSAPAR

12 X 10W RGBW / FC LED

compact zoom PAR

CONTENTS

Table of contents	2
Testing process	3
Color preset Full on	
Beam angle Max Zoom	4
Beam angle Med Zoom	7
Beam angle Min Zoom	10
Color preset Red	
Beam angle Max Zoom	13
Beam angle Med Zoom	16
Beam angle Min Zoom	19
Color preset Green	
Beam angle Max Zoom	22
Beam angle Med Zoom	25
Beam angle Min Zoom	28
Color preset Blue	
Beam angle Max Zoom	31
Beam angle Med Zoom	34
Beam angle Min Zoom	37
Color preset White	
Beam angle Max Zoom	40
Beam angle Med Zoom	43
Beam angle Min Zoom	46

TESTING PROCESS

Prolights has its own optical testing laboratory in order to provide accurate photometric reports for its lighting products. The testing laboratory contains certain variety of precise lighting measurement systems that ensure an optimal reading of all the characteristic parameters of the lighting devices. All measurements are made at a controlled room temperature of 20°C without any external light sources. This photometric report is obtained through the data measured by a high precision measurement system and analyzed by a dedicate software.

Prolights measurement instrument

Prolights measurement instrument is a complete measurement system for any light source. It's equipped with two-axis goniometer, that enables to measure the full 3D distribution field of the light source. This instrument measures the light intensity, the beam angle and the most significative colors parameters, like color temperature, spectral distribution, CRI, CQS, TM-30 with a very high accuracy rate.

Please Note: All measurements are made with light source at operating temperature. Before starting the measurement, the instrument analyzes the process of the light source during the heating phase. The measuring process of all the parameters begins only when the light emission is stable, that is with a variation of less than 0.5% in a 15 minutes time frame.

Prolights measurement software

The software provides user friendly interface for the operator who does the measurements, and it also analyzes and processes all the collected data by the instrument. With this software it is possible to see the measured data in real-time and it is possible to examine all the measured data and graphics afterwards as well. All information is collected in a specific Prolights template, and the software creates also IES and LDT files, which are widely used to transfer the photometric data, and to develop lighting system.

Additionally, the fixtures are rechecked using various hand-held instruments like Sekonic C-700 and Gossen Mavospec Base, this is done to ensure, that the data in the photometric report are as accurate as possible.



Total lumen output:

1786 lm

Peak candela output:

6221 cd

PRODUCT NAME:

VERSAPAR

MEASUREMENT CONDITIONS:

Beam angle:

Max Zoom

Target:

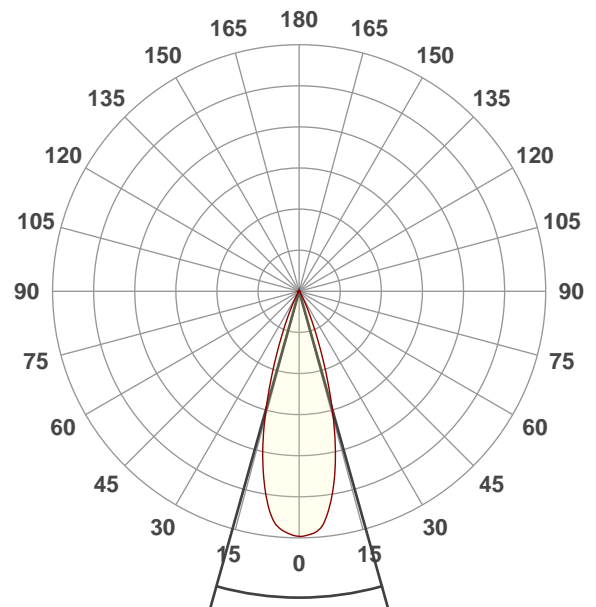
Full On

Operator:

Paolo Carvone

Date and time:

25/05/2020 11:08:17

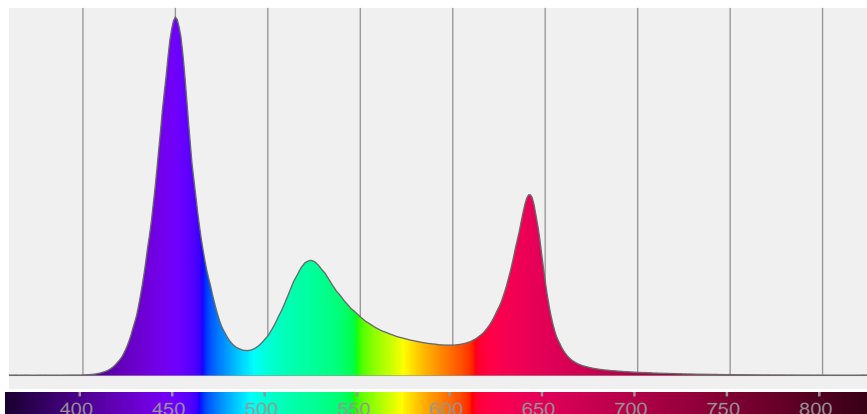


Beam angle 50%: 31,3°

Field angle 10%: 48,9°

Cut off angle 2.5%: 61,4°

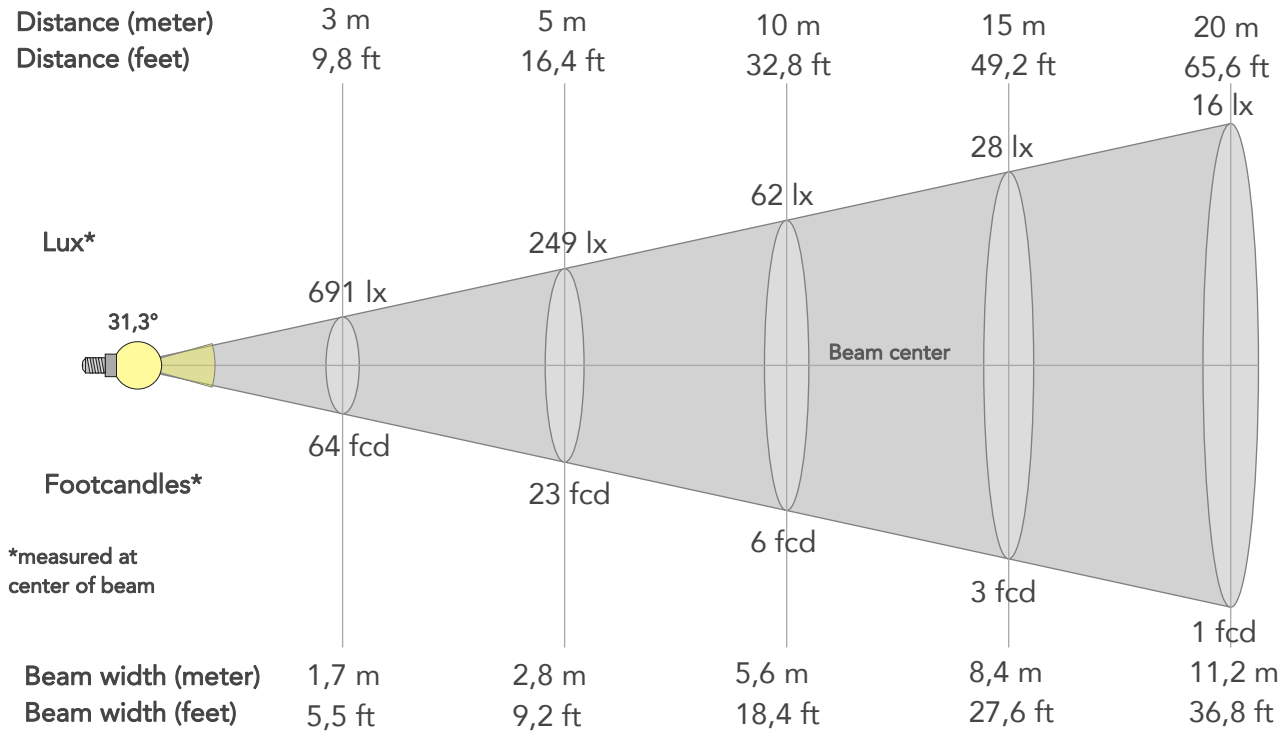
Spectra



BEAM DETAILS



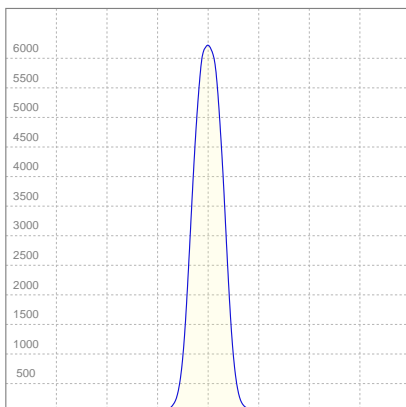
Beam angle 50%	Field angle 10%	Cut off angle 2,5%	Intensity ratio in 120° cone	Intensity ratio in 90° cone
31,3°	48,9°	61,4°	99,8%	99,5%



BEAM INTENSITIES AND WIDTHS

Distance	1m	2m	3m	4m	5m	7,5m	10m	15m	20m	25m	30m	40m	50m
Distance	3,3ft	6,6ft	9,8ft	13,1ft	16,4ft	24,6ft	32,8ft	49,2ft	65,6ft	82ft	98,4ft	131,2ft	164ft
Lux	6215lx	1554lx	691lx	388lx	249lx	110lx	62lx	28lx	16lx	10lx	7lx	4lx	2lx
Footcand.	577fcd	144fcd	64fcd	36fcd	23fcd	10fcd	6fcd	3fcd	1fcd	1fcd	1fcd	0fcd	0fcd
Beam wid.	0,6m	1,1m	1,7m	2,2m	2,8m	4,2m	5,6m	8,4m	11,2m	14m	16,8m	22,4m	28m
Beam wid.	1,9ft	3,7ft	5,5ft	7,3ft	9,2ft	13,8ft	18,4ft	27,6ft	36,8ft	46ft	55,2ft	73,6ft	92ft

LINEAR DISTRIBUTION DIAGRAM

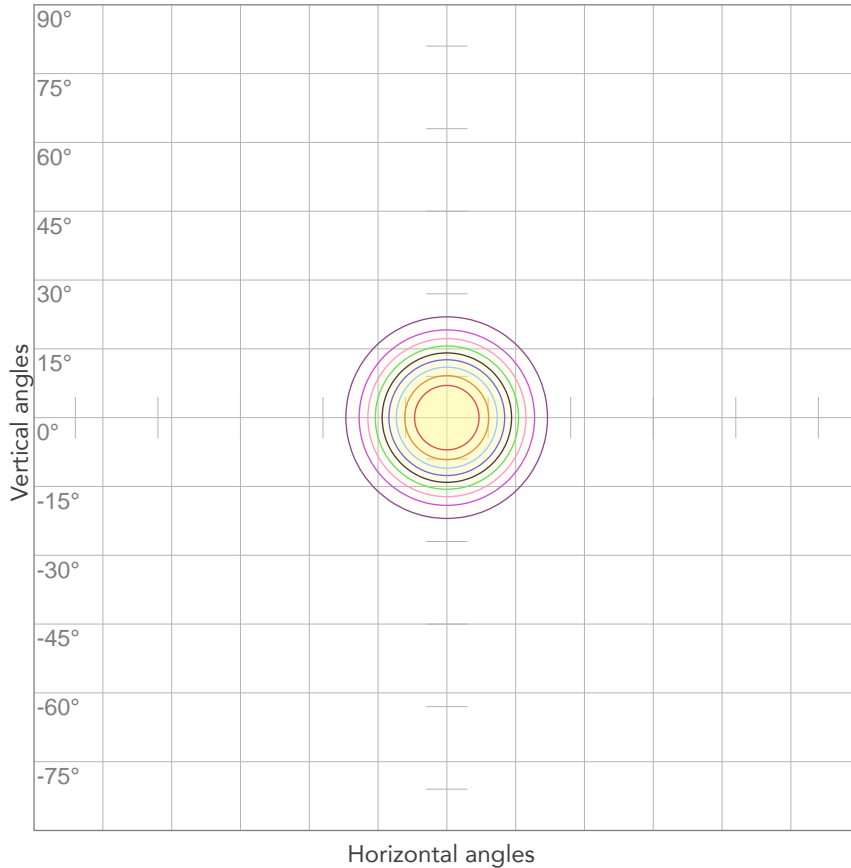


ELECTRICAL SPECIFICATIONS

Input voltage	Input current	Input power	Effeciency
224V	0,560A	118,7W	15lm/W

Power FC
0,95

ISO CANDELA DIAGRAM



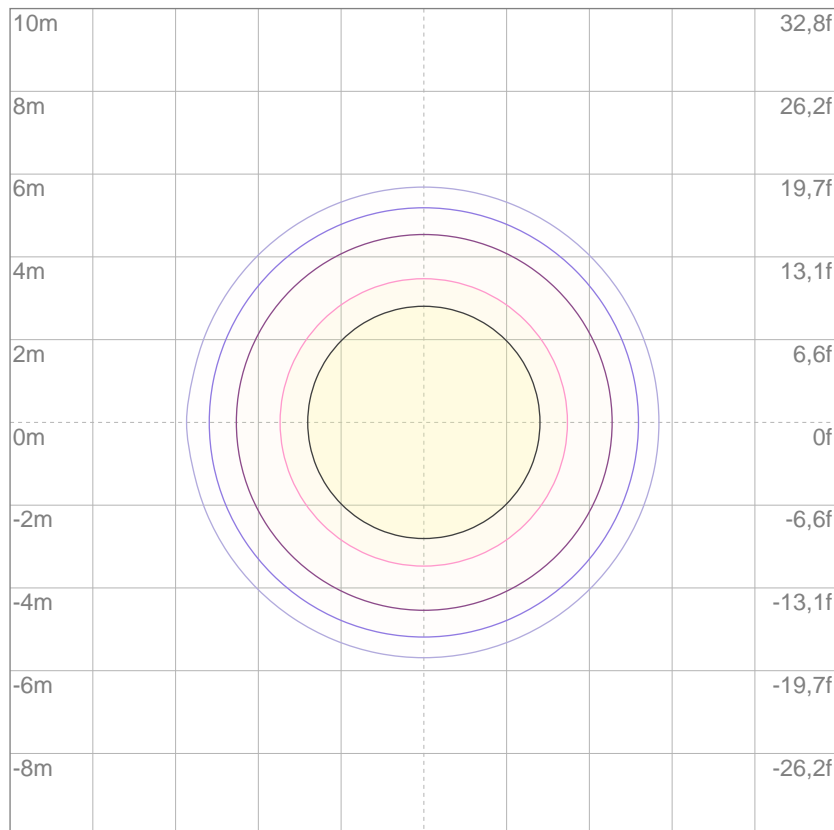
10%	621 cd
20%	1243 cd
30%	1864 cd
40%	2486 cd
50%	3107 cd
60%	3729 cd
70%	4350 cd
80%	4972 cd

Conditions:

Number of c-planes: 2

Candela at center: 6215 cd

ISO LUX DIAGRAM



3%	1,86 lx
5%	3,11 lx
10%	6,21 lx
30%	18,6 lx
50%	31,1 lx

Conditions:

Number of c-planes: 2

Lux at center: 62,1 lx

Lux distribution on a surface when lamp is mounted at 10 meters from the surface.

Mounting height: 10 meters (33 feet)



Total lumen output:

1743 lm

Peak candela output:

17513 cd

PRODUCT NAME:

VERSAPAR

MEASUREMENT CONDITIONS:

Beam angle:

Med Zoom

Target:

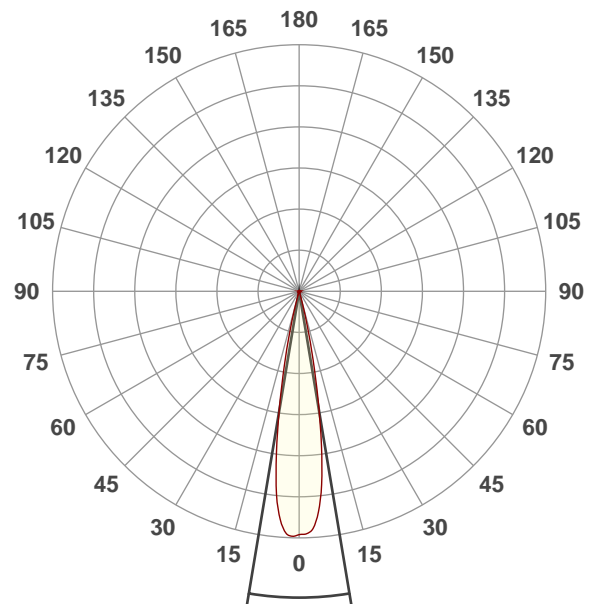
Full On

Operator:

Paolo Carvone

Date and time:

25/05/2020 11:14:51

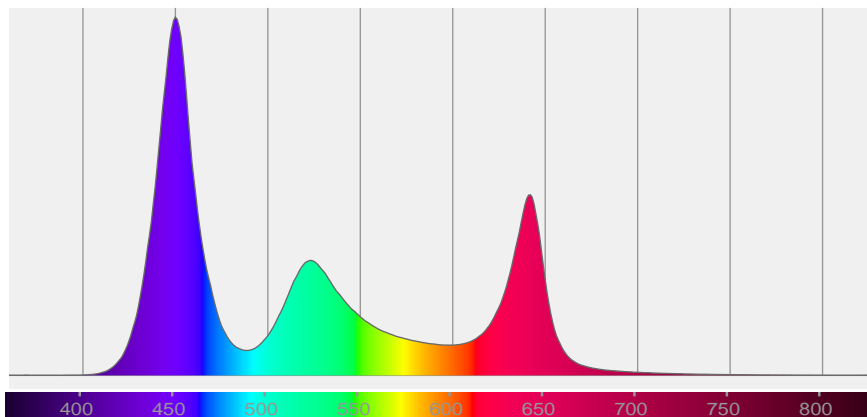


Beam angle 50%: 18,9°

Field angle 10%: 28,2°

Cut off angle 2.5%: 31,9°

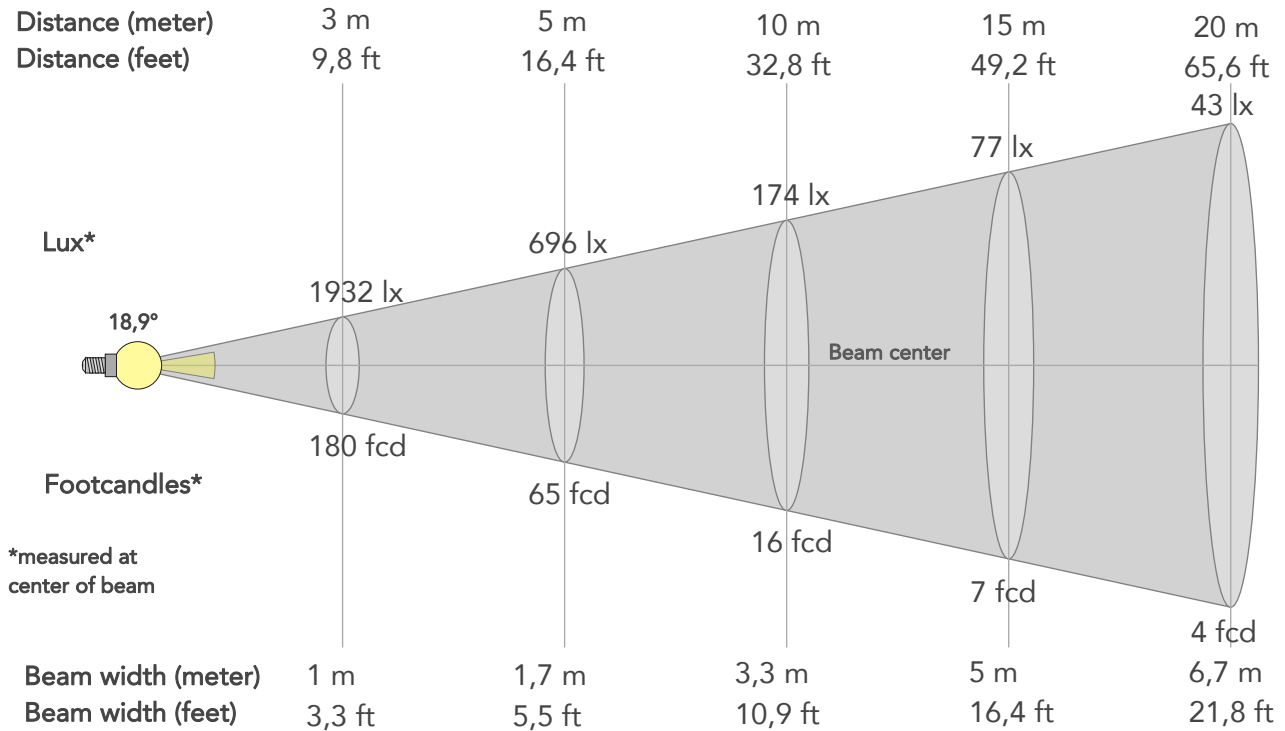
Spectra



BEAM DETAILS



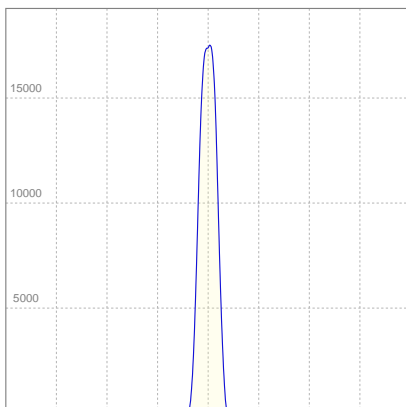
Beam angle 50%	Field angle 10%	Cut off angle 2,5%	Intensity ratio in 120° cone	Intensity ratio in 90° cone
18,9°	28,2°	31,9°	99,9%	99,2%



BEAM INTENSITIES AND WIDTHS

Distance	1m	2m	3m	4m	5m	7,5m	10m	15m	20m	25m	30m	40m	50m
Distance	3,3ft	6,6ft	9,8ft	13,1ft	16,4ft	24,6ft	32,8ft	49,2ft	65,6ft	82ft	98,4ft	131,2ft	164ft
Lux	17392lx	4348lx	1932lx	1087lx	696lx	309lx	174lx	77lx	43lx	28lx	19lx	11lx	7lx
Footcand.	1616fcd	404fcd	180fcd	101fcd	65fcd	29fcd	16fcd	7fcd	4fcd	3fcd	2fcd	1fcd	1fcd
Beam wid.	0,3m	0,7m	1m	1,3m	1,7m	2,5m	3,3m	5m	6,7m	8,3m	10m	13,3m	16,7m
Beam wid.	1,1ft	2,2ft	3,3ft	4,4ft	5,5ft	8,2ft	10,9ft	16,4ft	21,8ft	27,3ft	32,8ft	43,7ft	54,6ft

LINEAR DISTRIBUTION DIAGRAM

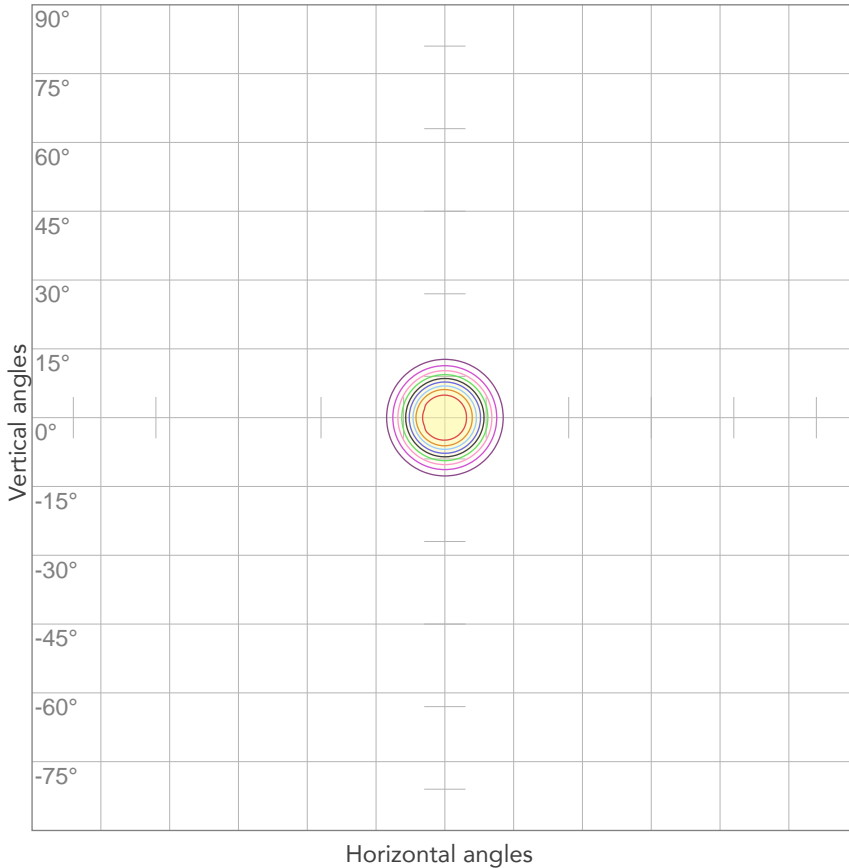


ELECTRICAL SPECIFICATIONS

Input voltage	Input current	Input power	Effeciency
224V	0,554A	117,7W	15lm/W

Power FC
0,95

ISO CANDELA DIAGRAM



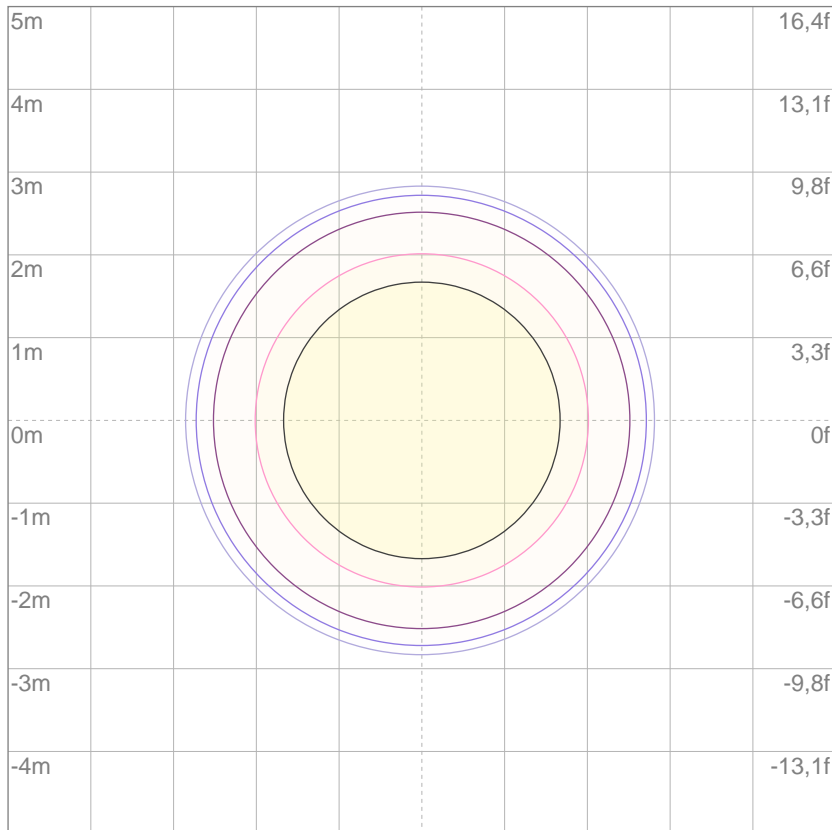
10%	1739 cd
20%	3478 cd
30%	5218 cd
40%	6957 cd
50%	8696 cd
60%	10435 cd
70%	12174 cd
80%	13913 cd

Conditions:

Number of c-planes: 2

Candela at center: 17392 cd

ISO LUX DIAGRAM



Mounting height: 10 meters (33 feet)

3%	5,22 lx
5%	8,70 lx
10%	17,4 lx
30%	52,2 lx
50%	87,0 lx

Conditions:

Number of c-planes: 2

Lux at center: 174 lx

Lux distribution on a surface when lamp is mounted at 10 meters from the surface.



Total lumen output:

1450 lm

Peak candela output:

78675 cd

PRODUCT NAME:

VERSAPAR

MEASUREMENT CONDITIONS:

Beam angle:

Min Zoom

Target:

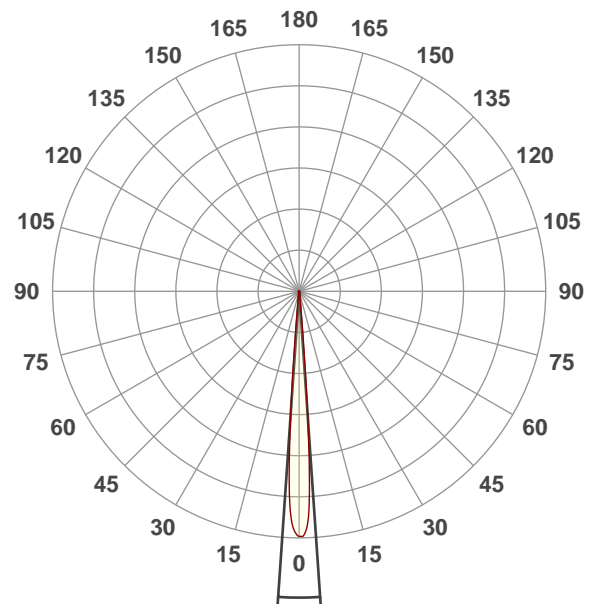
Full On

Operator:

Paolo Carvone

Date and time:

25/05/2020 10:53:14

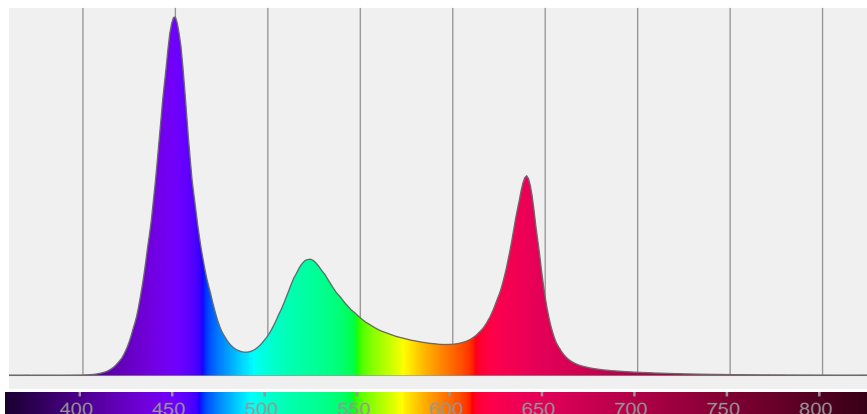


Beam angle 50%: 7,9°

Field angle 10%: 11°

Cut off angle 2.5%: 14,1°

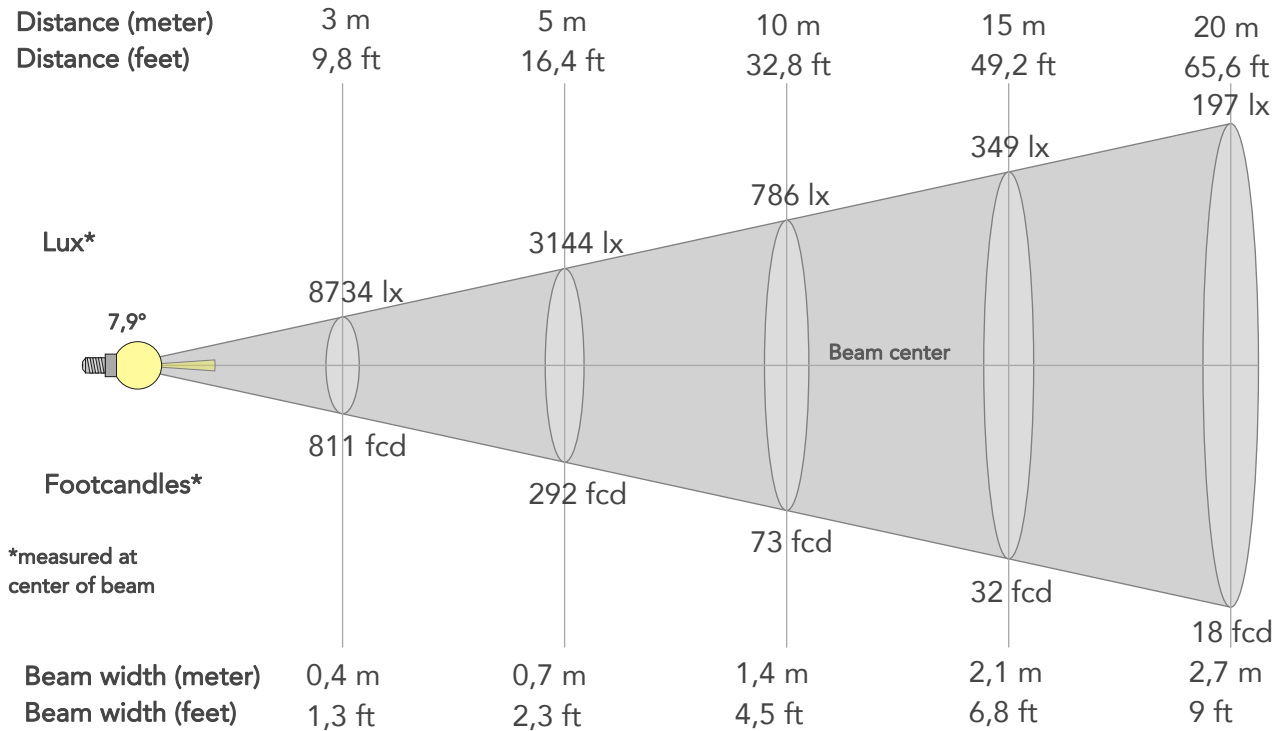
Spectra



BEAM DETAILS



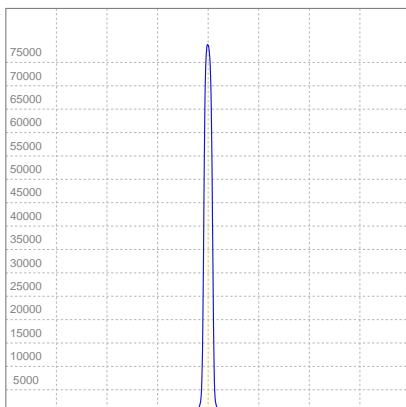
Beam angle 50%	Field angle 10%	Cut off angle 2,5%	Intensity ratio in 120° cone	Intensity ratio in 90° cone
7,9°	11°	14,1°	99,9%	98,5%



BEAM INTENSITIES AND WIDTHS

Distance	1m	2m	3m	4m	5m	7,5m	10m	15m	20m	25m	30m	40m	50m
Distance	3,3ft	6,6ft	9,8ft	13,1ft	16,4ft	24,6ft	32,8ft	49,2ft	65,6ft	82ft	98,4ft	131,2ft	164ft
Lux	78610lx	19653lx	8734lx	4913lx	3144lx	1398lx	786lx	349lx	197lx	126lx	87lx	49lx	31lx
Footcand.	7303fcd	1826fcd	811fcd	456fcd	292fcd	130fcd	73fcd	32fcd	18fcd	12fcd	8fcd	5fcd	3fcd
Beam wid.	0,1m	0,3m	0,4m	0,5m	0,7m	1m	1,4m	2,1m	2,7m	3,4m	4,1m	5,5m	6,9m
Beam wid.	0,5ft	0,9ft	1,3ft	1,8ft	2,3ft	3,4ft	4,5ft	6,8ft	9ft	11,3ft	13,5ft	18ft	22,5ft

LINEAR DISTRIBUTION DIAGRAM

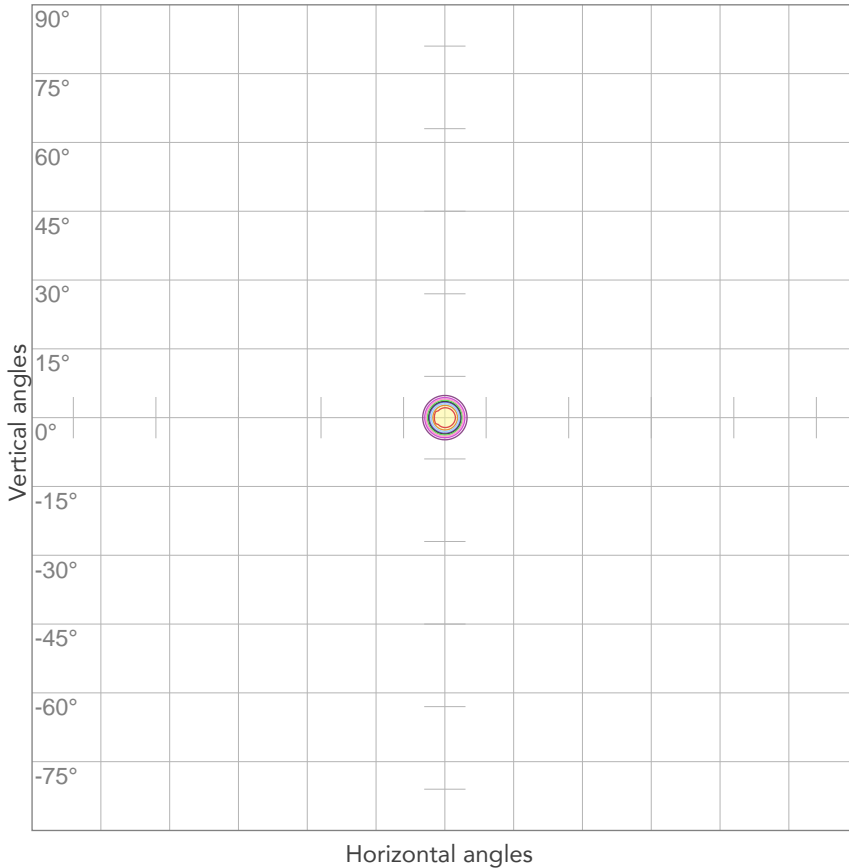


ELECTRICAL SPECIFICATIONS

Input voltage	Input current	Input power	Effeciency
223V	0,564A	119,4W	12lm/W

Power FC
0,95

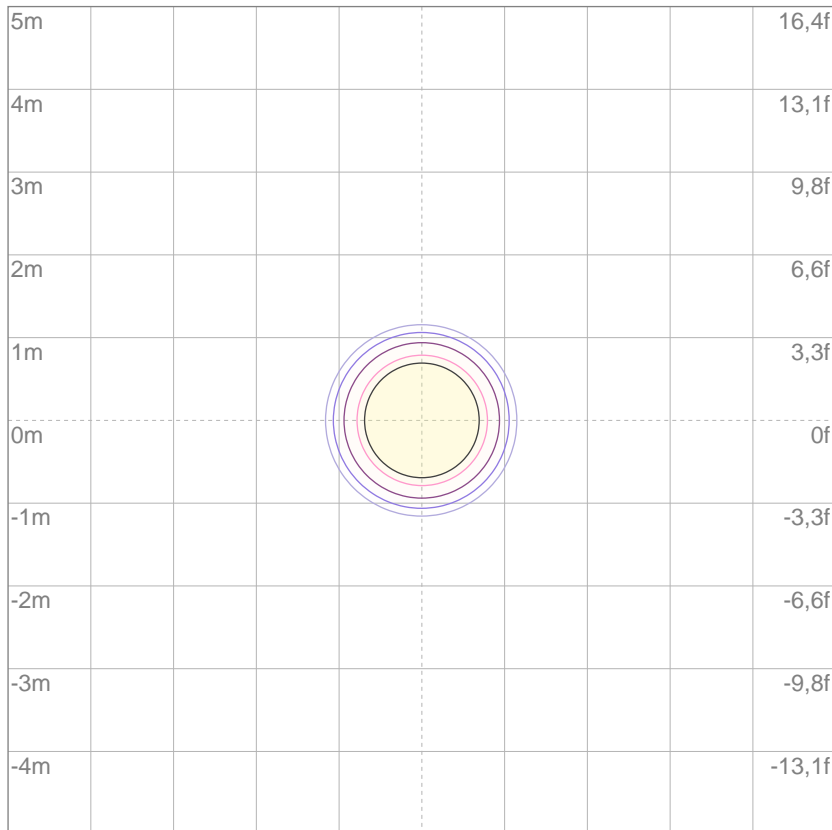
ISO CANDELA DIAGRAM



10%	7861 cd
20%	15722 cd
30%	23583 cd
40%	31444 cd
50%	39305 cd
60%	47166 cd
70%	55027 cd
80%	62888 cd

Conditions:
 Number of c-planes: 2
 Candela at center: 78610 cd

ISO LUX DIAGRAM



3%	23,6 lx
5%	39,3 lx
10%	78,6 lx
30%	236 lx
50%	393 lx

Conditions:
 Number of c-planes: 2
 Lux at center: 786 lx

Lux distribution on a surface when lamp is mounted at 10 meters from the surface.

Mounting height: 10 meters (33 feet)



Total lumen output:

274 lm

Peak candela output:

964 cd

PRODUCT NAME:

VERSAPAR

MEASUREMENT CONDITIONS:

Beam angle:

Max Zoom

Target:

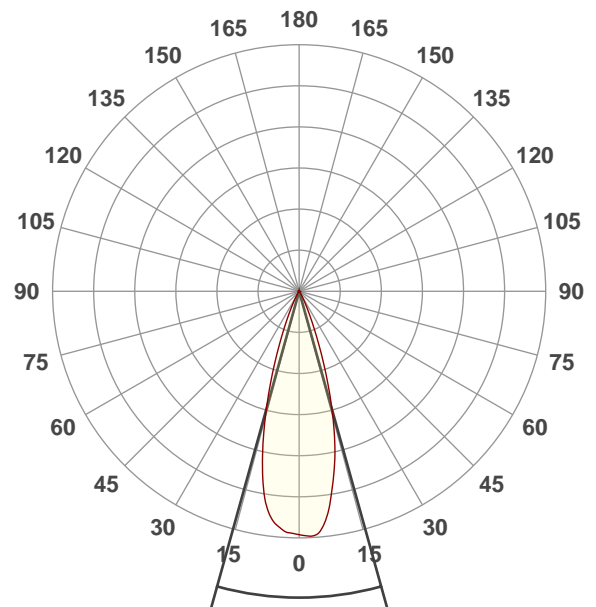
Red

Operator:

Paolo Carvone

Date and time:

25/05/2020 11:10:07

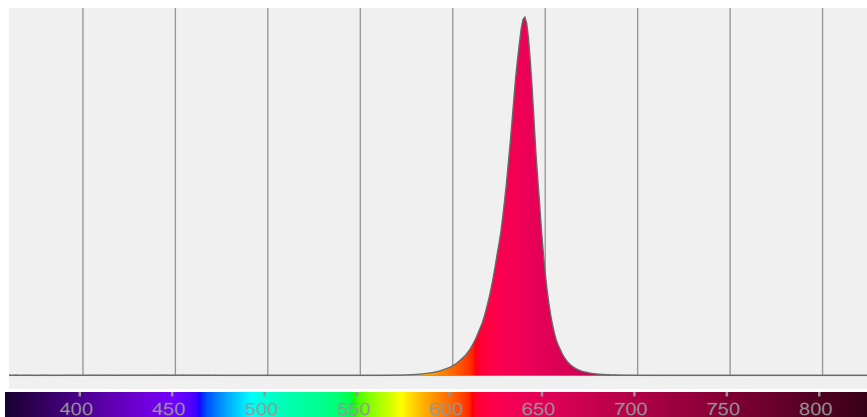


Beam angle 50%: 31,1°

Field angle 10%: 48,5°

Cut off angle 2.5%: 60,7°

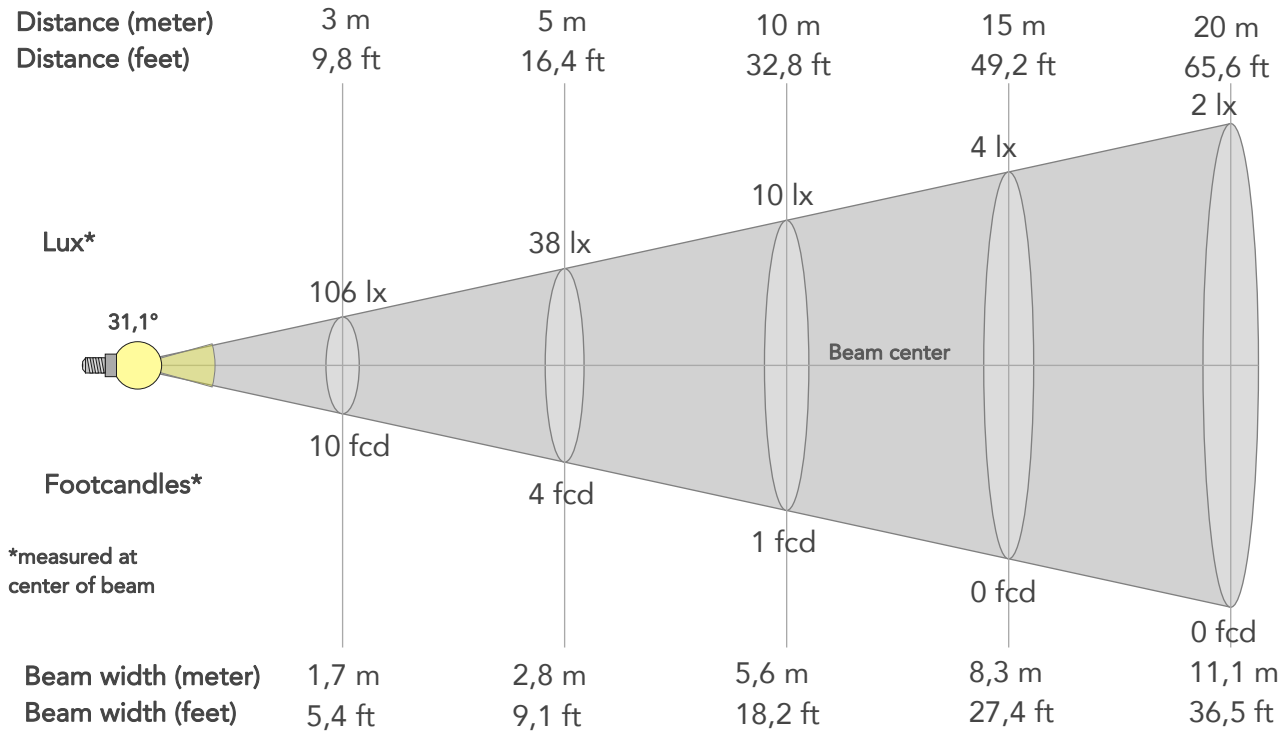
Spectra



BEAM DETAILS



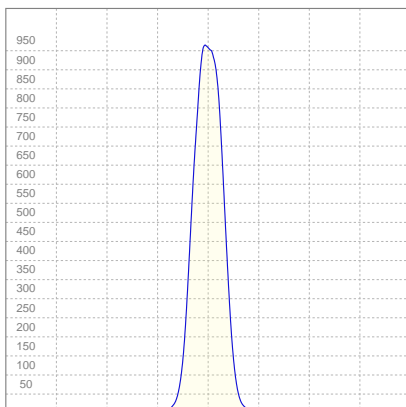
Beam angle 50%	Field angle 10%	Cut off angle 2,5%	Intensity ratio in 120° cone	Intensity ratio in 90° cone
31,1°	48,5°	60,7°	99,6%	99,1%



BEAM INTENSITIES AND WIDTHS

Distance	1m	2m	3m	4m	5m	7,5m	10m	15m	20m	25m	30m	40m	50m
Distance	3,3ft	6,6ft	9,8ft	13,1ft	16,4ft	24,6ft	32,8ft	49,2ft	65,6ft	82ft	98,4ft	131,2ft	164ft
Lux	958lx	239lx	106lx	60lx	38lx	17lx	10lx	4lx	2lx	2lx	1lx	1lx	0lx
Footcand.	89fcd	22fcd	10fcd	6fcd	4fcd	2fcd	1fcd	0fcd	0fcd	0fcd	0fcd	0fcd	0fcd
Beam wid.	0,6m	1,1m	1,7m	2,2m	2,8m	4,2m	5,6m	8,3m	11,1m	13,9m	16,7m	22,2m	27,8m
Beam wid.	1,8ft	3,7ft	5,4ft	7,3ft	9,1ft	13,7ft	18,2ft	27,4ft	36,5ft	45,6ft	54,7ft	72,9ft	91,2ft

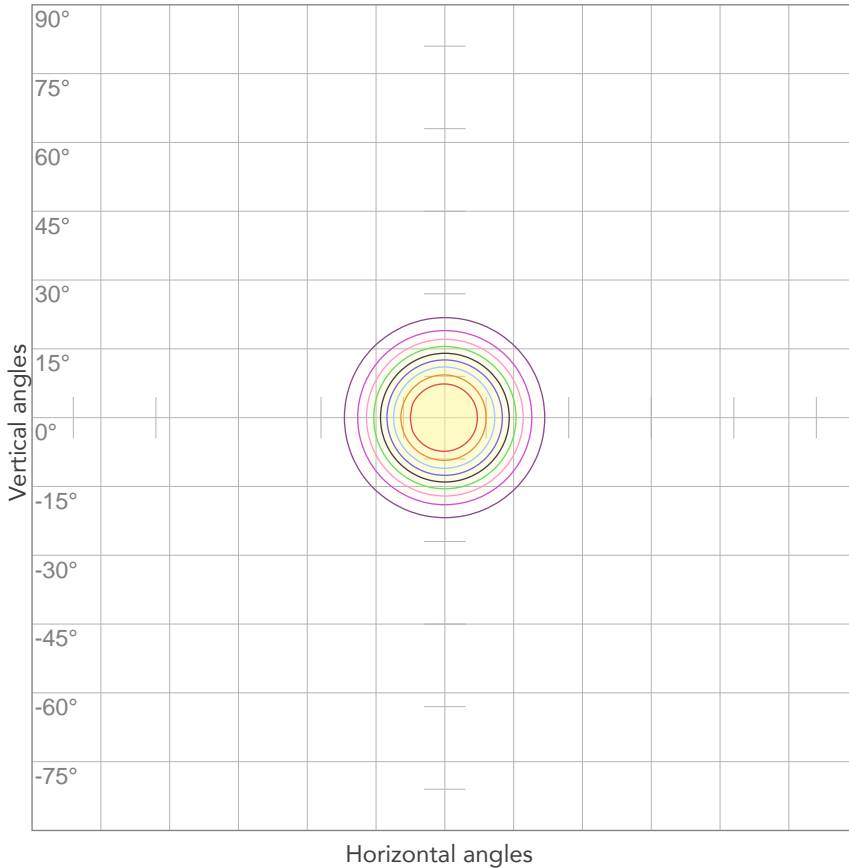
LINEAR DISTRIBUTION DIAGRAM



ELECTRICAL SPECIFICATIONS

Input voltage	Input current	Input power	Effeciency
225V	0,203A	36,2W	8lm/W

ISO CANDELA DIAGRAM

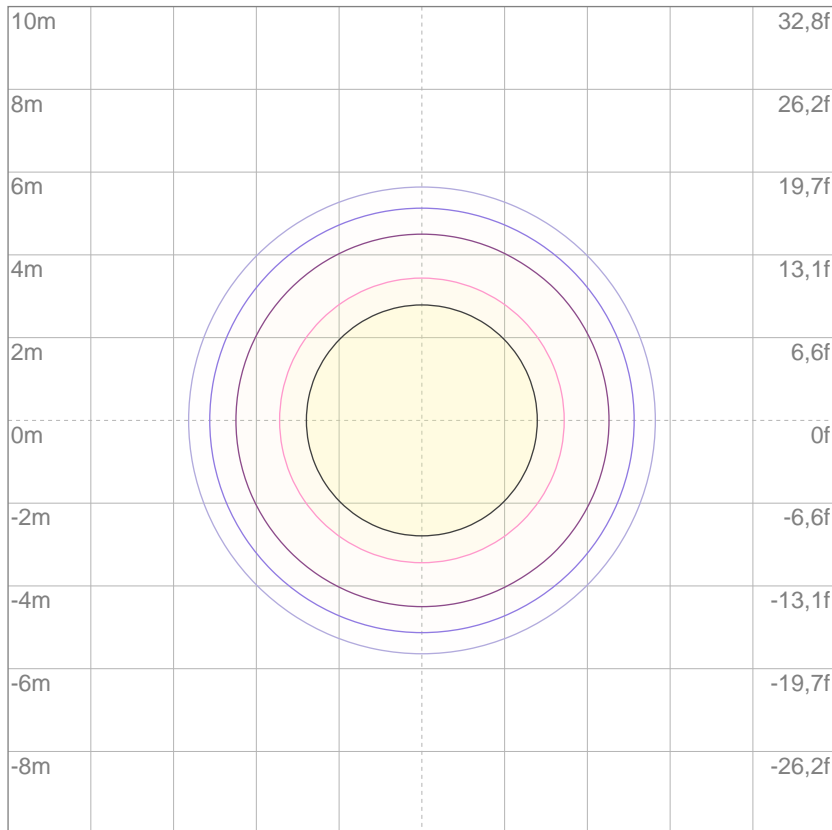


10%	96 cd
20%	192 cd
30%	287 cd
40%	383 cd
50%	479 cd
60%	575 cd
70%	670 cd
80%	766 cd

Conditions:

Number of c-planes: 2
Candela at center: 958 cd

ISO LUX DIAGRAM



Mounting height: 10 meters (33 feet)

3%	0,287 lx
5%	0,479 lx
10%	0,958 lx
30%	2,87 lx
50%	4,79 lx

Conditions:

Number of c-planes: 2
Lux at center: 9,58 lx

Lux distribution on a surface when lamp is mounted at 10 meters from the surface.



Total lumen output:

269 lm

Peak candela output:

2671 cd

PRODUCT NAME:

VERSAPAR

MEASUREMENT CONDITIONS:

Beam angle:

Med Zoom

Target:

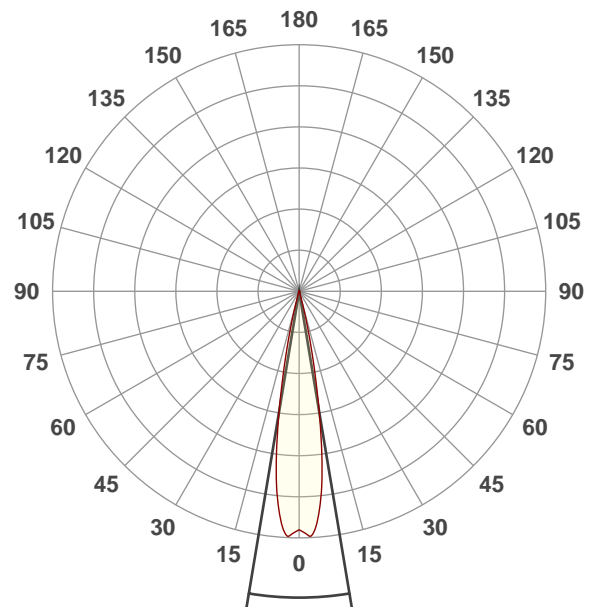
Red

Operator:

Paolo Carvone

Date and time:

25/05/2020 11:16:36

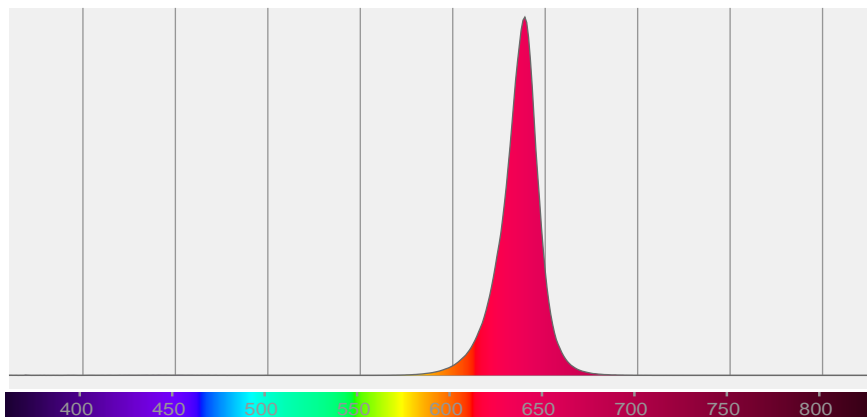


Beam angle 50%: 18,9°

Field angle 10%: 28,2°

Cut off angle 2.5%: 32,2°

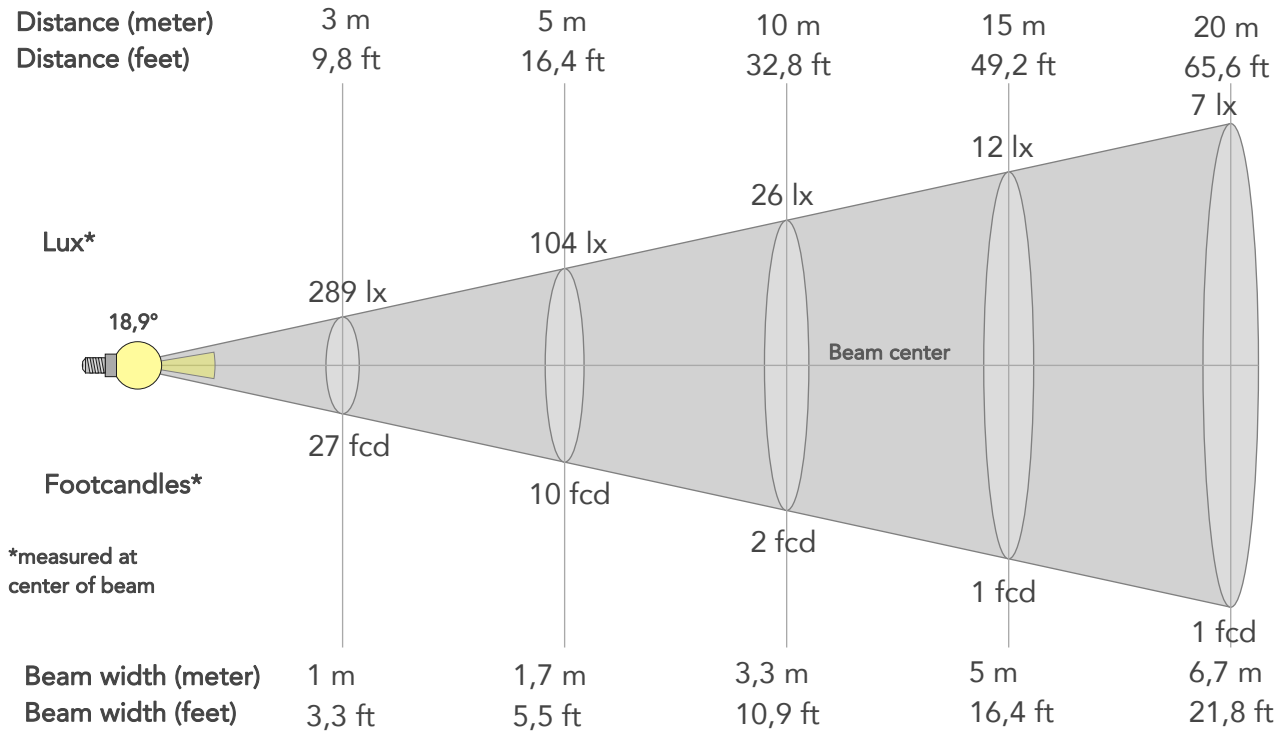
Spectra



BEAM DETAILS



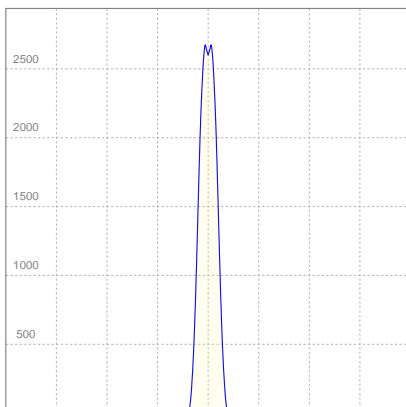
Beam angle 50%	Field angle 10%	Cut off angle 2,5%	Intensity ratio in 120° cone	Intensity ratio in 90° cone
18,9°	28,2°	32,2°	99,4%	98,4%



BEAM INTENSITIES AND WIDTHS

Distance	1m	2m	3m	4m	5m	7,5m	10m	15m	20m	25m	30m	40m	50m
Distance	3,3ft	6,6ft	9,8ft	13,1ft	16,4ft	24,6ft	32,8ft	49,2ft	65,6ft	82ft	98,4ft	131,2ft	164ft
Lux	2604lx	651lx	289lx	163lx	104lx	46lx	26lx	12lx	7lx	4lx	3lx	2lx	1lx
Footcand.	242fcd	60fcd	27fcd	15fcd	10fcd	4fcd	2fcd	1fcd	1fcd	0fcd	0fcd	0fcd	0fcd
Beam wid.	0,3m	0,7m	1m	1,3m	1,7m	2,5m	3,3m	5m	6,7m	8,3m	10m	13,3m	16,6m
Beam wid.	1,1ft	2,2ft	3,3ft	4,4ft	5,5ft	8,2ft	10,9ft	16,4ft	21,8ft	27,3ft	32,8ft	43,7ft	54,6ft

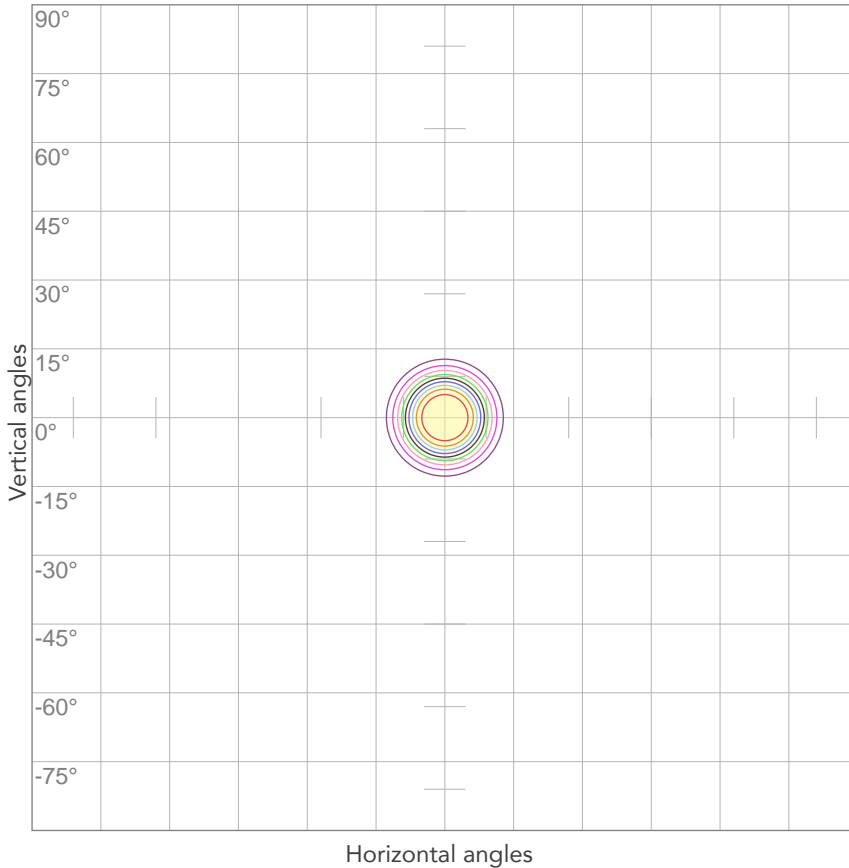
LINEAR DISTRIBUTION DIAGRAM



ELECTRICAL SPECIFICATIONS

Input voltage	Input current	Input power	Effeciency
224V	0,197A	34,9W	8lm/W

ISO CANDELA DIAGRAM



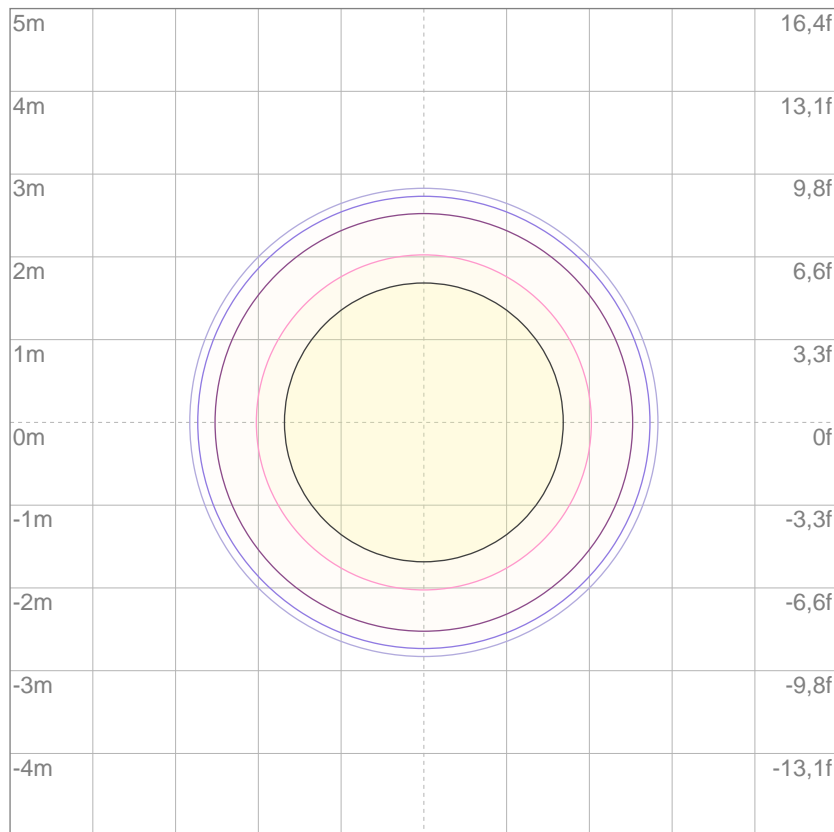
10%	260 cd
20%	521 cd
30%	781 cd
40%	1042 cd
50%	1302 cd
60%	1562 cd
70%	1823 cd
80%	2083 cd

Conditions:

Number of c-planes: 2

Candela at center: 2604 cd

ISO LUX DIAGRAM



Mounting height: 10 meters (33 feet)

3%	0,781 lx
5%	1,30 lx
10%	2,60 lx
30%	7,81 lx
50%	13,0 lx

Conditions:

Number of c-planes: 2

Lux at center: 26,0 lx

Lux distribution on a surface when lamp is mounted at 10 meters from the surface.



Total lumen output:

238 lm

Peak candela output:

12818 cd

PRODUCT NAME:

VERSAPAR

MEASUREMENT CONDITIONS:

Beam angle:

Min Zoom

Target:

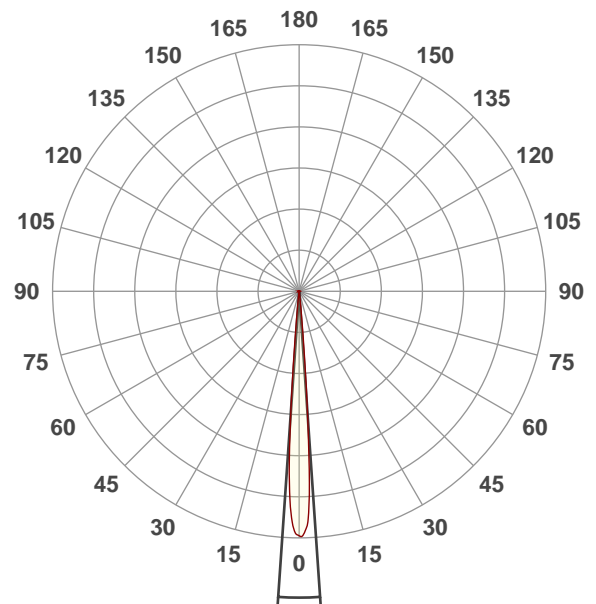
Red

Operator:

Paolo Carvone

Date and time:

25/05/2020 11:02:35

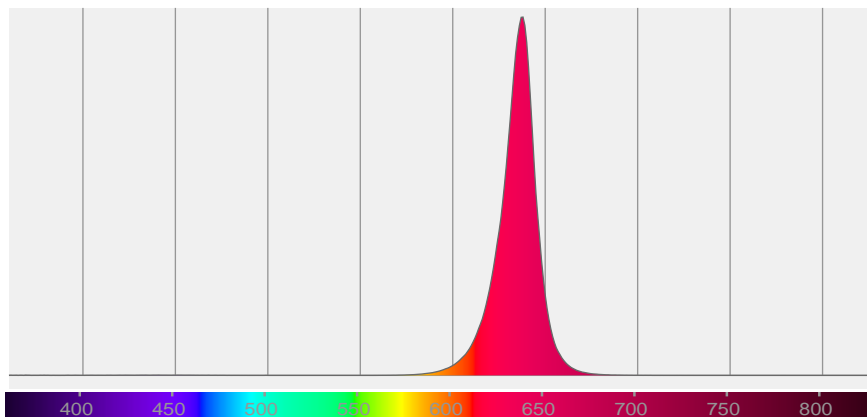


Beam angle 50%: 7,8°

Field angle 10%: 11,1°

Cut off angle 2.5%: 13,7°

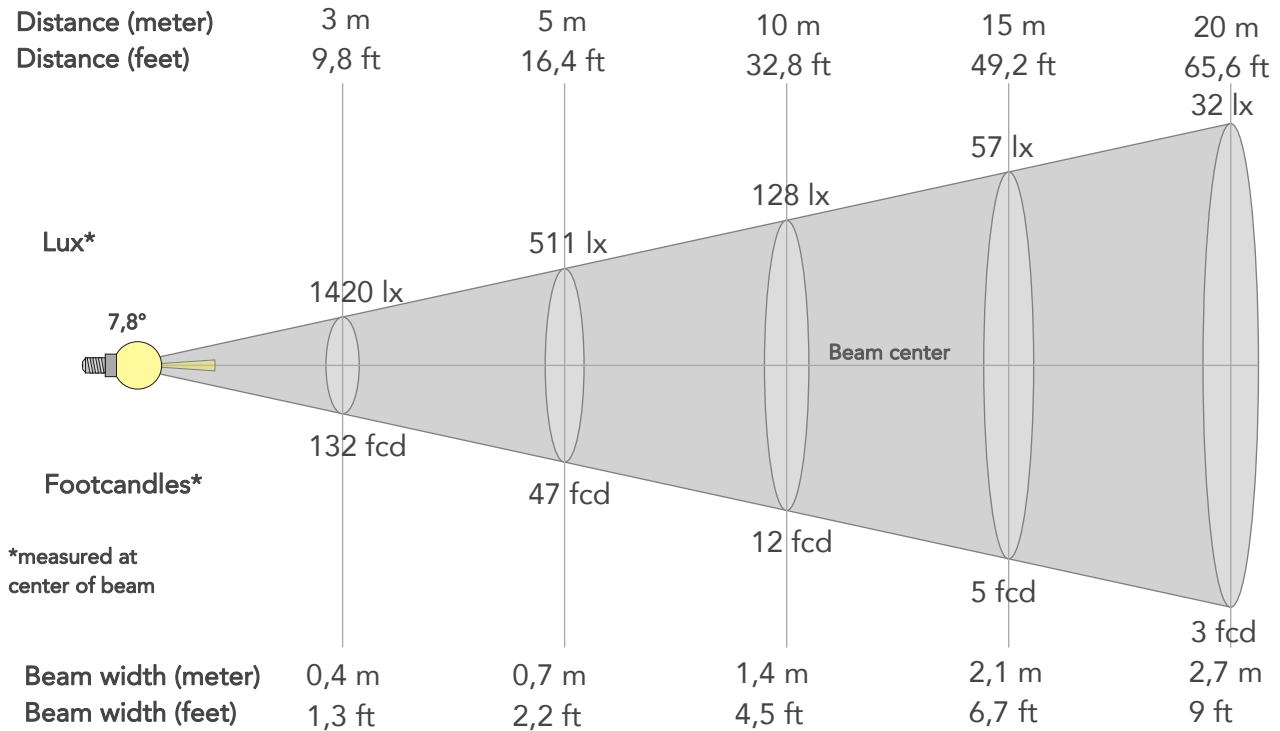
Spectra



BEAM DETAILS



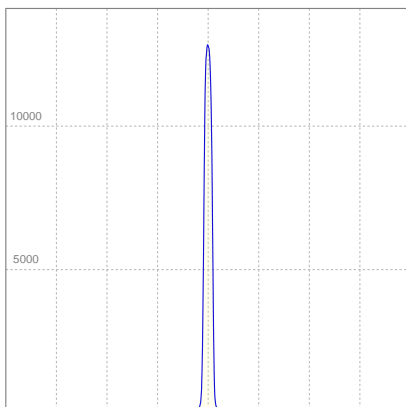
Beam angle 50%	Field angle 10%	Cut off angle 2,5%	Intensity ratio in 120° cone	Intensity ratio in 90° cone
7,8°	11,1°	13,7°	99,6%	97,6%



BEAM INTENSITIES AND WIDTHS

Distance	1m	2m	3m	4m	5m	7,5m	10m	15m	20m	25m	30m	40m	50m
Distance	3,3ft	6,6ft	9,8ft	13,1ft	16,4ft	24,6ft	32,8ft	49,2ft	65,6ft	82ft	98,4ft	131,2ft	164ft
Lux	12776lx	3194lx	1420lx	799lx	511lx	227lx	128lx	57lx	32lx	20lx	14lx	8lx	5lx
Footcand.	1187fcd	297fcd	132fcd	74fcd	47fcd	21fcd	12fcd	5fcd	3fcd	2fcd	1fcd	1fcd	0fcd
Beam wid.	0,1m	0,3m	0,4m	0,5m	0,7m	1m	1,4m	2,1m	2,7m	3,4m	4,1m	5,5m	6,9m
Beam wid.	0,5ft	0,9ft	1,3ft	1,8ft	2,2ft	3,4ft	4,5ft	6,7ft	9ft	11,2ft	13,5ft	18ft	22,5ft

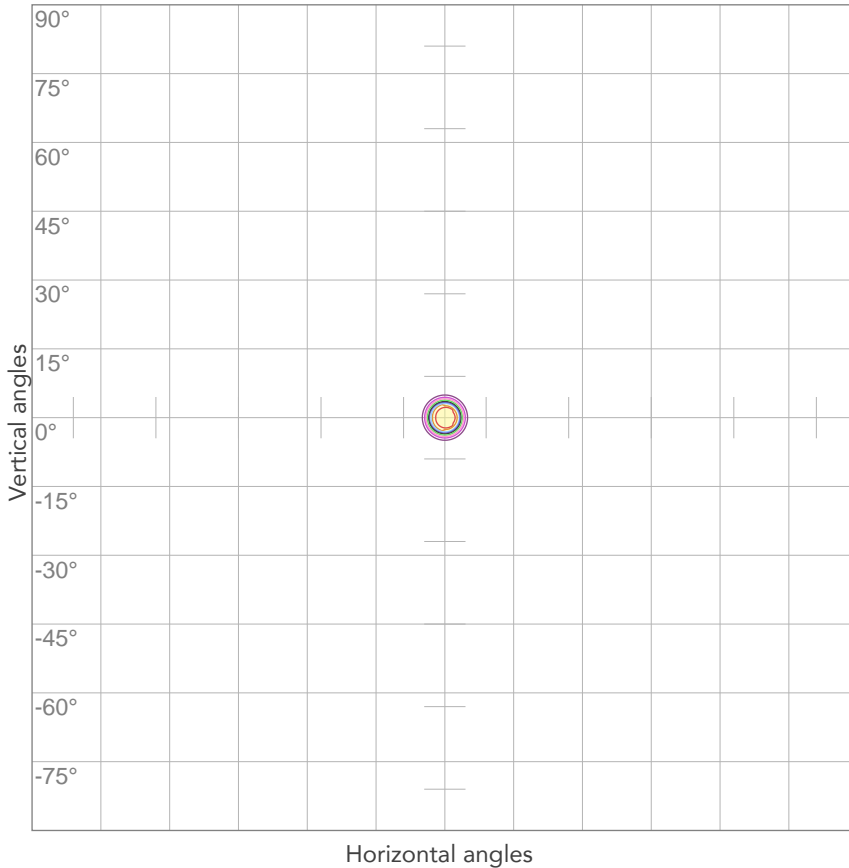
LINEAR DISTRIBUTION DIAGRAM



ELECTRICAL SPECIFICATIONS

Input voltage	Input current	Input power	Effeciency
223V	0,200A	35,5W	7lm/W

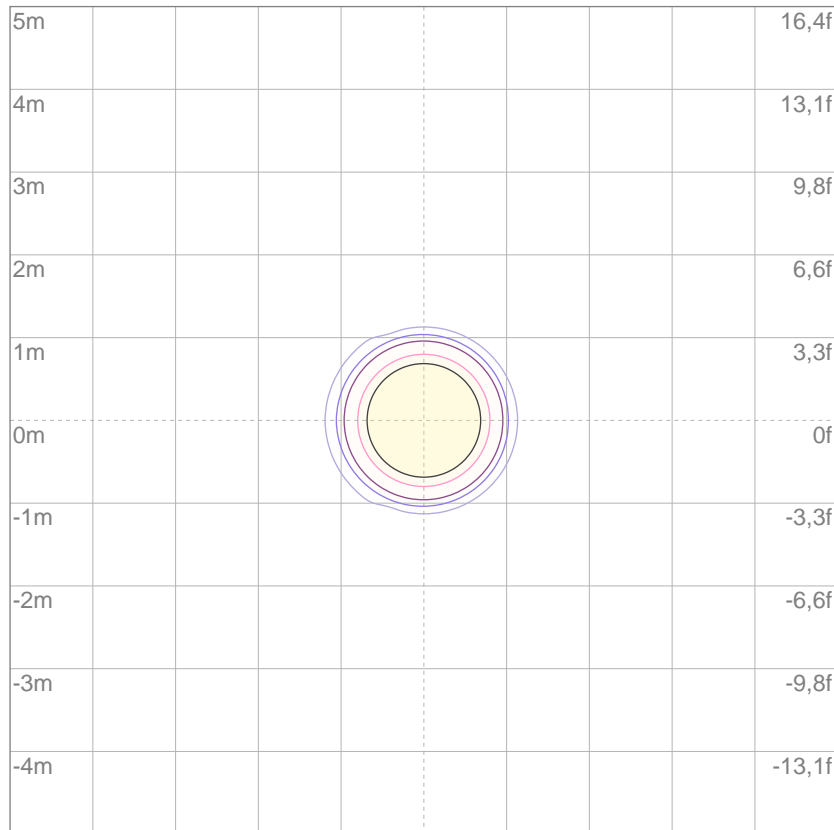
ISO CANDELA DIAGRAM



10%	1278 cd
20%	2555 cd
30%	3833 cd
40%	5110 cd
50%	6388 cd
60%	7666 cd
70%	8943 cd
80%	10221 cd

Conditions:
 Number of c-planes: 2
 Candela at center: 12776 cd

ISO LUX DIAGRAM



3%	3,83 lx
5%	6,39 lx
10%	12,8 lx
30%	38,3 lx
50%	63,9 lx

Conditions:
 Number of c-planes: 2
 Lux at center: 128 lx

Lux distribution on a surface when lamp is mounted at 10 meters from the surface.

Mounting height: 10 meters (33 feet)



Total lumen output:

689 lm

Peak candela output:

2456 cd

PRODUCT NAME:

VERSAPAR

MEASUREMENT CONDITIONS:

Beam angle:

Max Zoom

Target:

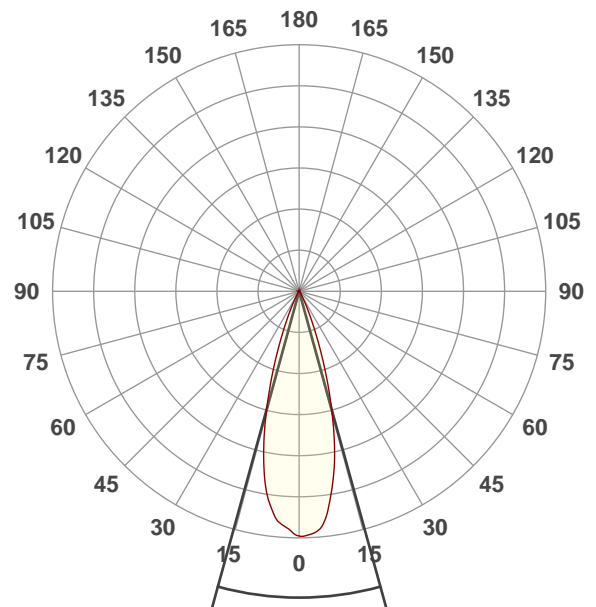
Green

Operator:

Paolo Carvone

Date and time:

25/05/2020 11:11:37

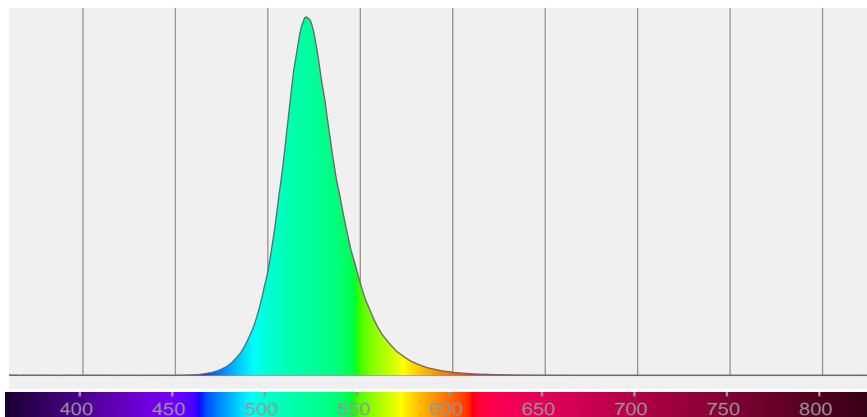


Beam angle 50%: 30,8°

Field angle 10%: 48,7°

Cut off angle 2.5%: 61,1°

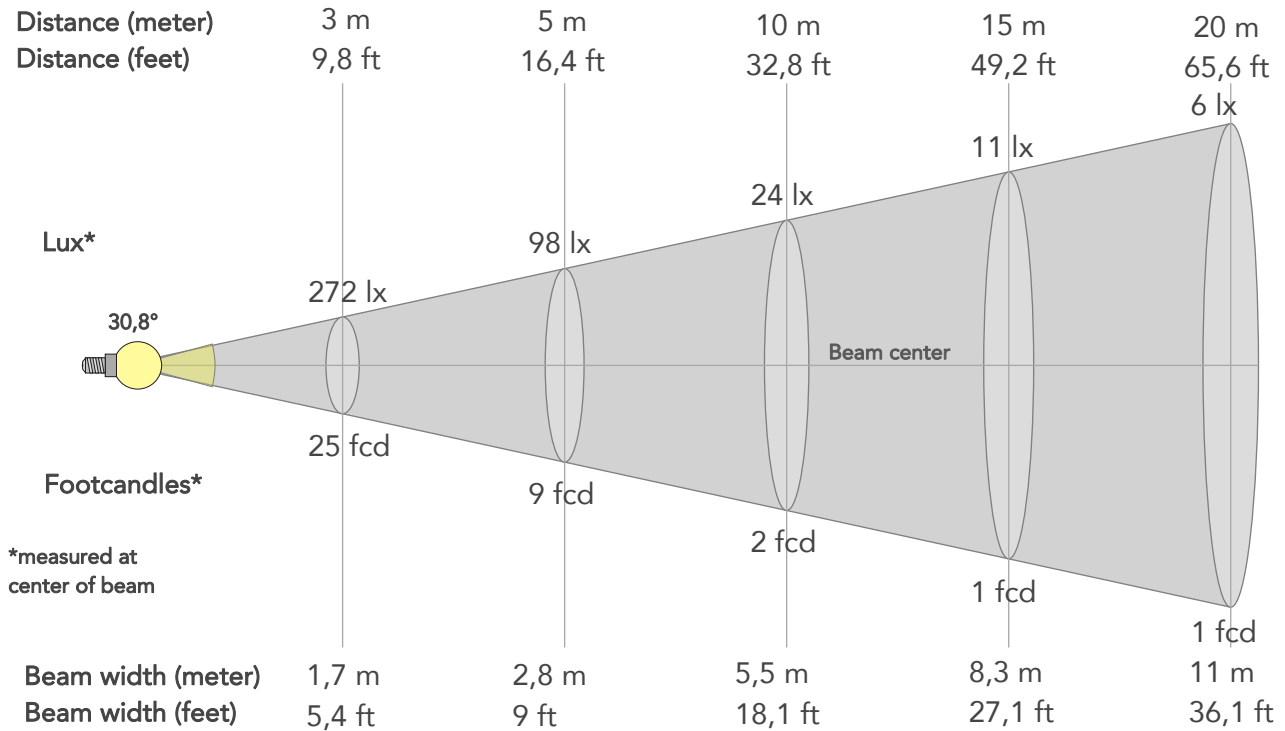
Spectra



BEAM DETAILS



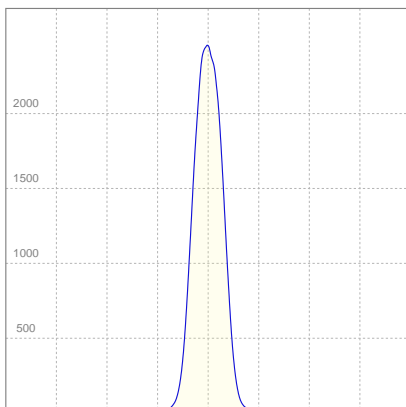
Beam angle 50%	Field angle 10%	Cut off angle 2,5%	Intensity ratio in 120° cone	Intensity ratio in 90° cone
30,8°	48,7°	61,1°	99,7%	99,4%



BEAM INTENSITIES AND WIDTHS

Distance	1m	2m	3m	4m	5m	7,5m	10m	15m	20m	25m	30m	40m	50m
Distance	3,3ft	6,6ft	9,8ft	13,1ft	16,4ft	24,6ft	32,8ft	49,2ft	65,6ft	82ft	98,4ft	131,2ft	164ft
Lux	2449lx	612lx	272lx	153lx	98lx	44lx	24lx	11lx	6lx	4lx	3lx	2lx	1lx
Footcand.	228fcd	57fcd	25fcd	14fcd	9fcd	4fcd	2fcd	1fcd	1fcd	0fcd	0fcd	0fcd	0fcd
Beam wid.	0,6m	1,1m	1,7m	2,2m	2,8m	4,1m	5,5m	8,3m	11m	13,8m	16,5m	22m	27,5m
Beam wid.	1,8ft	3,6ft	5,4ft	7,2ft	9ft	13,5ft	18,1ft	27,1ft	36,1ft	45,1ft	54,2ft	72,2ft	90,3ft

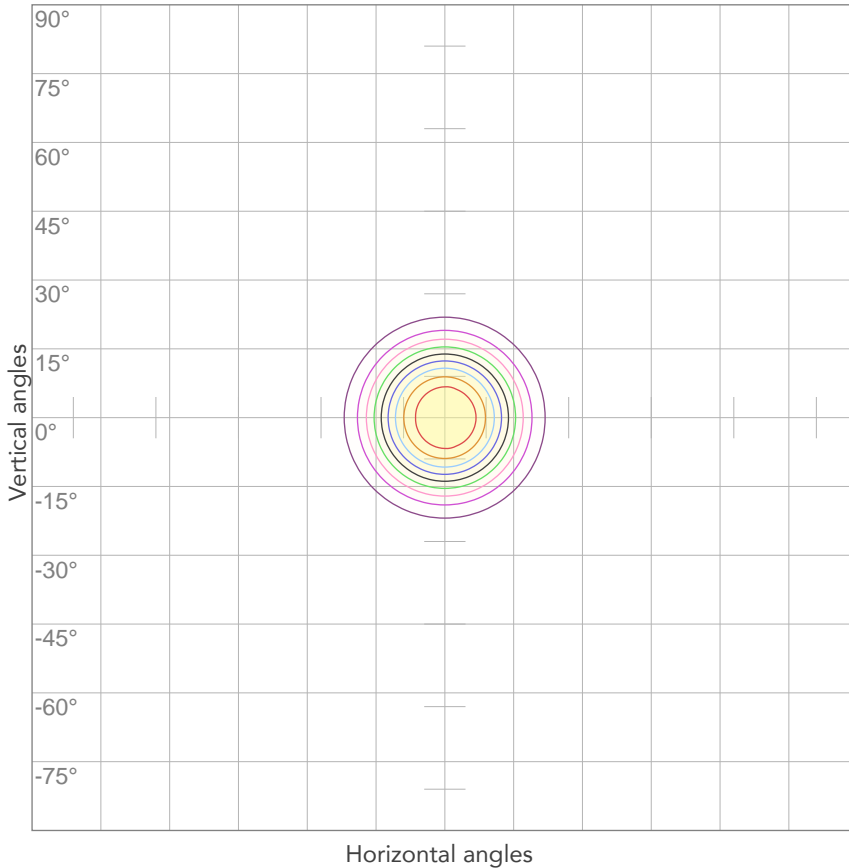
LINEAR DISTRIBUTION DIAGRAM



ELECTRICAL SPECIFICATIONS

Input voltage	Input current	Input power	Effeciency
225V	0,218A	39,6W	17lm/W

ISO CANDELA DIAGRAM



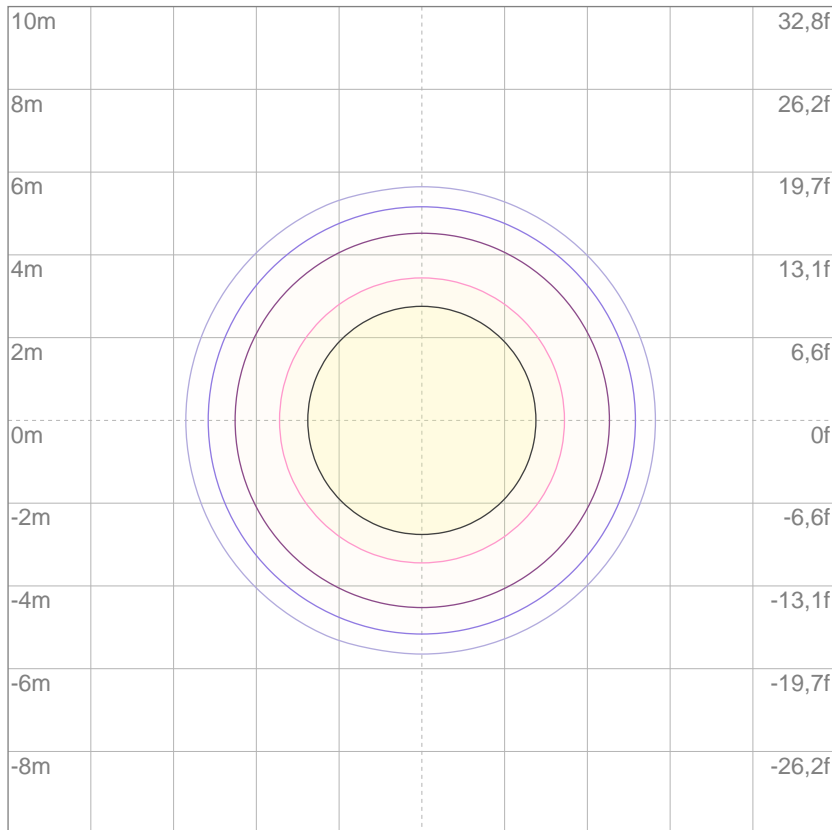
10%	245 cd
20%	490 cd
30%	735 cd
40%	980 cd
50%	1225 cd
60%	1469 cd
70%	1714 cd
80%	1959 cd

Conditions:

Number of c-planes: 2

Candela at center: 2449 cd

ISO LUX DIAGRAM



Mounting height: 10 meters (33 feet)

3%	0,735 lx
5%	1,22 lx
10%	2,45 lx
30%	7,35 lx
50%	12,2 lx

Conditions:

Number of c-planes: 2

Lux at center: 24,5 lx

Lux distribution on a surface when lamp is mounted at 10 meters from the surface.



Total lumen output:

680 lm

Peak candela output:

6948 cd

PRODUCT NAME:

VERSAPAR

MEASUREMENT CONDITIONS:

Beam angle:

Med Zoom

Target:

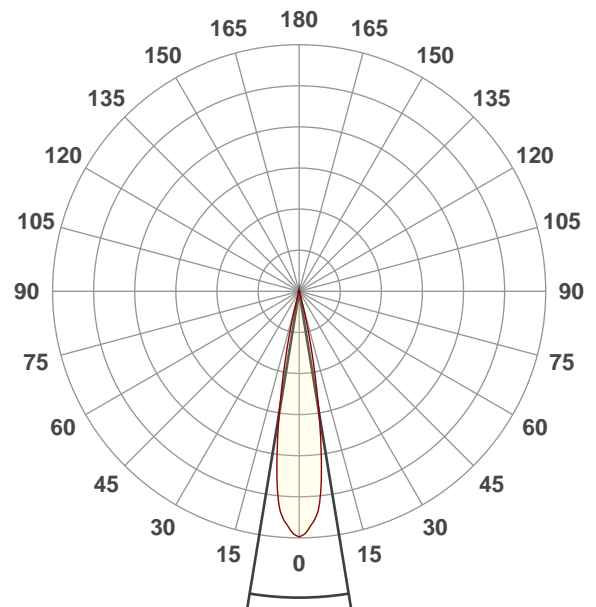
Green

Operator:

Paolo Carvone

Date and time:

25/05/2020 11:18:49

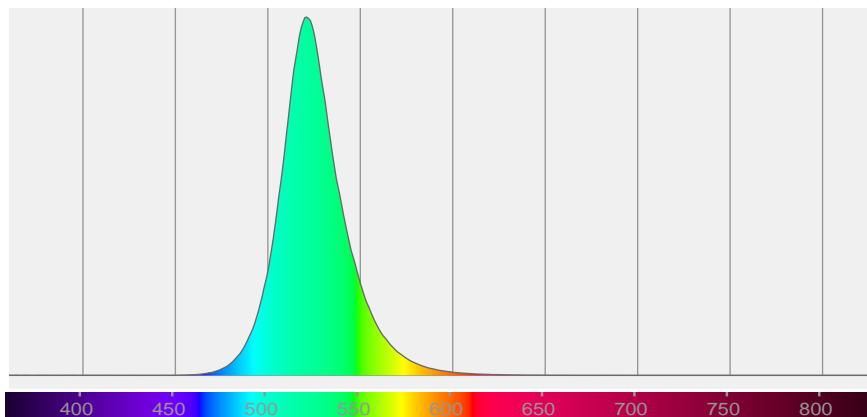


Beam angle 50%: 18,6°

Field angle 10%: 28°

Cut off angle 2.5%: 31,9°

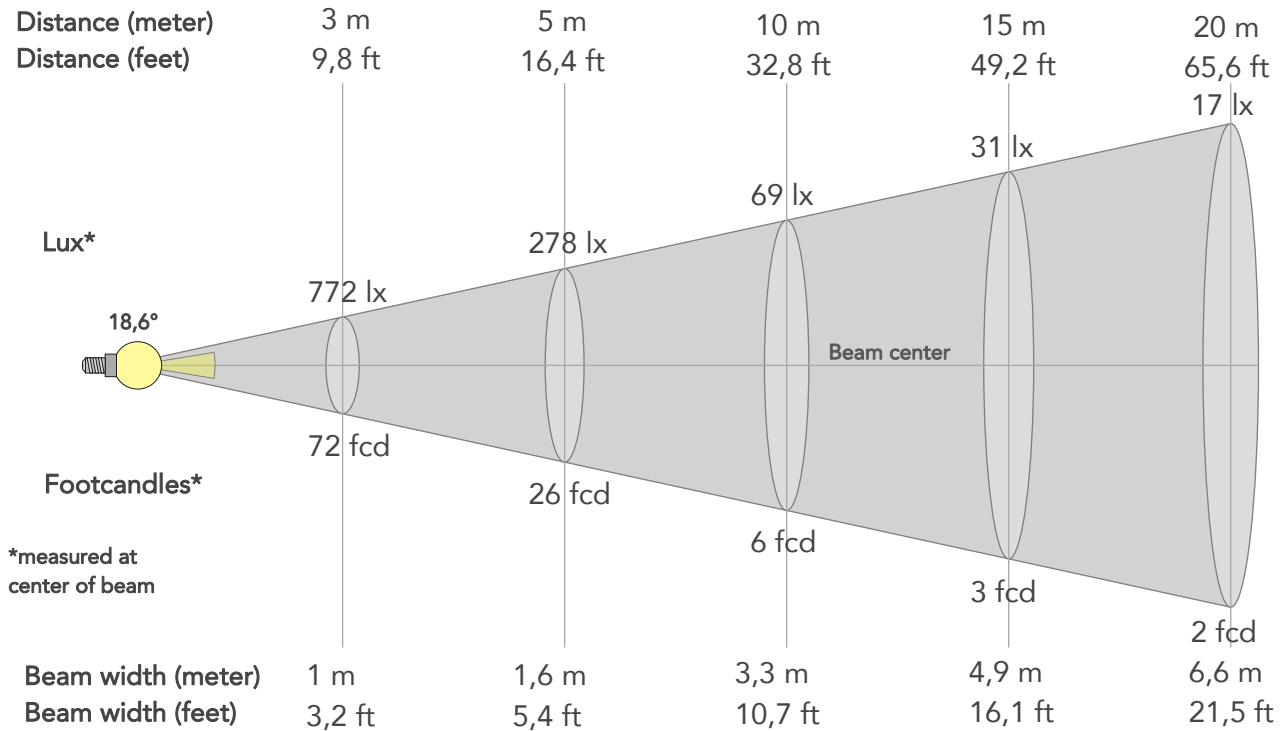
Spectra



BEAM DETAILS



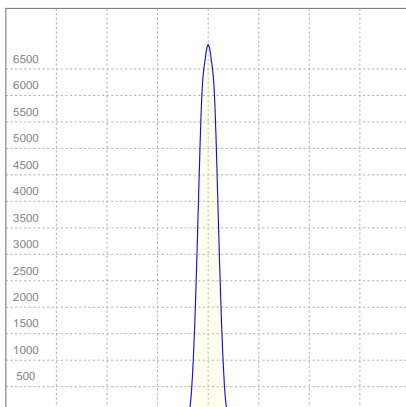
Beam angle 50%	Field angle 10%	Cut off angle 2,5%	Intensity ratio in 120° cone	Intensity ratio in 90° cone
18,6°	28°	31,9°	99,5%	98,5%



BEAM INTENSITIES AND WIDTHS

Distance	1m	2m	3m	4m	5m	7,5m	10m	15m	20m	25m	30m	40m	50m
Distance	3,3ft	6,6ft	9,8ft	13,1ft	16,4ft	24,6ft	32,8ft	49,2ft	65,6ft	82ft	98,4ft	131,2ft	164ft
Lux	6948lx	1737lx	772lx	434lx	278lx	124lx	69lx	31lx	17lx	11lx	8lx	4lx	3lx
Footcand.	646fcd	161fcd	72fcd	40fcd	26fcd	11fcd	6fcd	3fcd	2fcd	1fcd	1fcd	0fcd	0fcd
Beam wid.	0,3m	0,7m	1m	1,3m	1,6m	2,5m	3,3m	4,9m	6,6m	8,2m	9,8m	13,1m	16,4m
Beam wid.	1,1ft	2,2ft	3,2ft	4,3ft	5,4ft	8,1ft	10,7ft	16,1ft	21,5ft	26,9ft	32,2ft	43ft	53,7ft

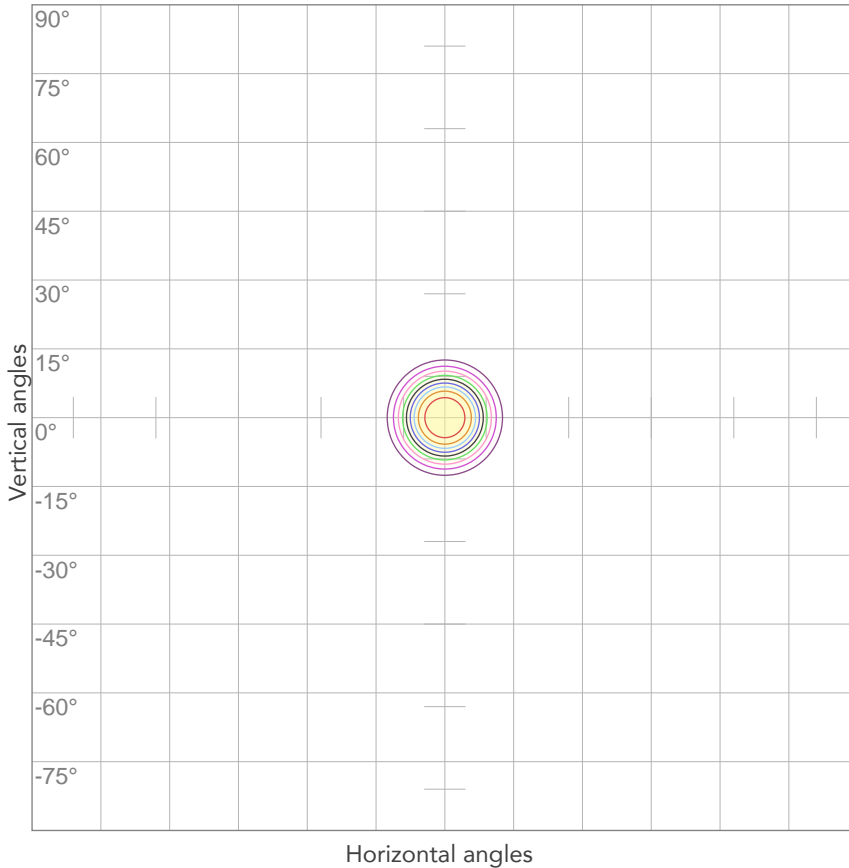
LINEAR DISTRIBUTION DIAGRAM



ELECTRICAL SPECIFICATIONS

Input voltage	Input current	Input power	Effeciency
224V	0,212A	38,3W	18lm/W

ISO CANDELA DIAGRAM



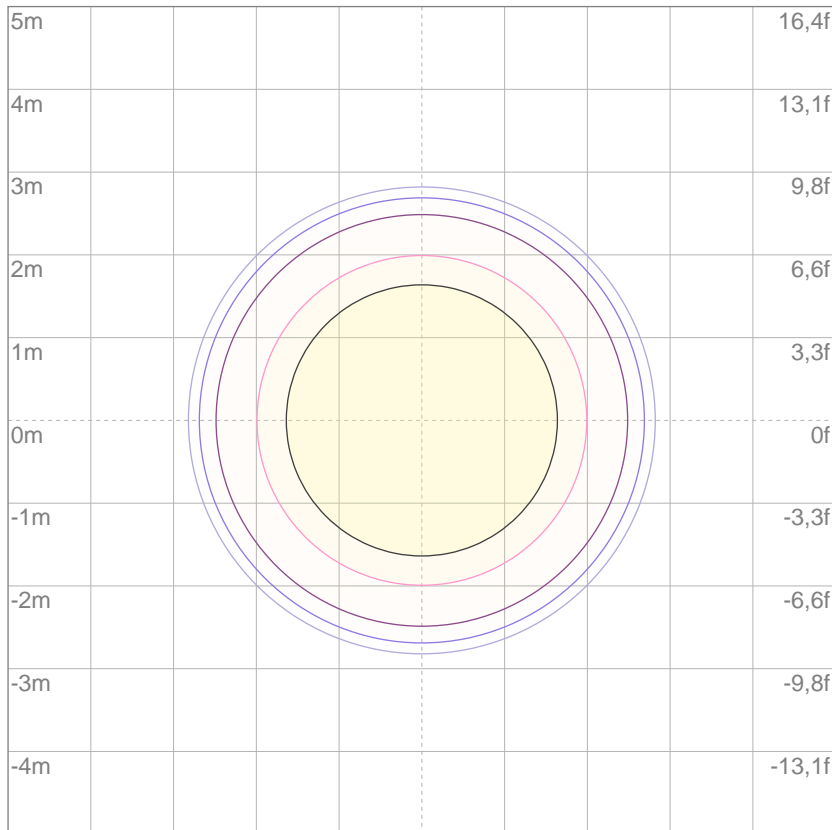
10%	695 cd
20%	1390 cd
30%	2084 cd
40%	2779 cd
50%	3474 cd
60%	4169 cd
70%	4864 cd
80%	5559 cd

Conditions:

Number of c-planes: 2

Candela at center: 6948 cd

ISO LUX DIAGRAM



3%	2,08 lx
5%	3,47 lx
10%	6,95 lx
30%	20,8 lx
50%	34,7 lx

Conditions:

Number of c-planes: 2

Lux at center: 69,5 lx

Lux distribution on a surface when lamp is mounted at 10 meters from the surface.

Mounting height: 10 meters (33 feet)



Total lumen output:

552 lm

Peak candela output:

29438 cd

PRODUCT NAME:

VERSAPAR

MEASUREMENT CONDITIONS:

Beam angle:

Min Zoom

Target:

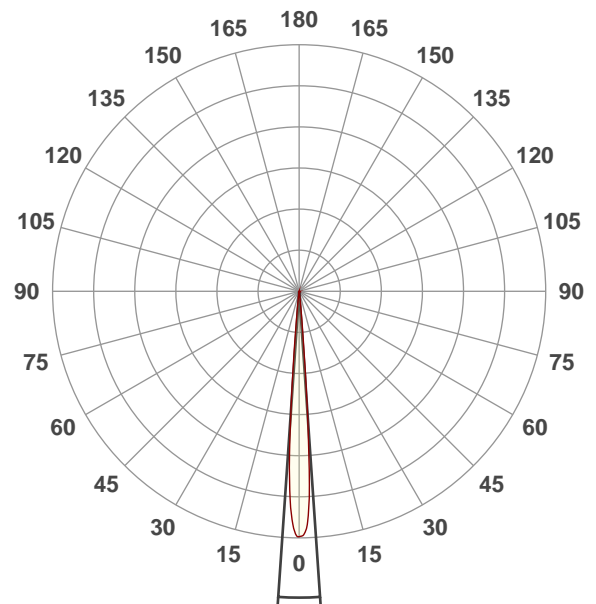
Green

Operator:

Paolo Carvone

Date and time:

25/05/2020 11:00:41

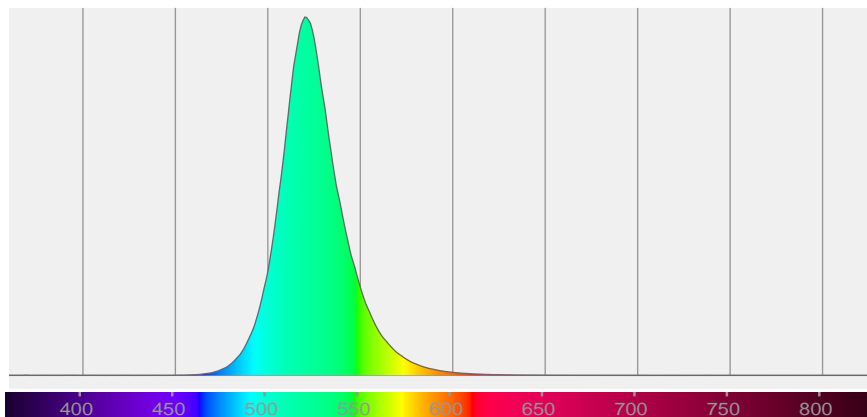


Beam angle 50%: 7,8°

Field angle 10%: 11,2°

Cut off angle 2.5%: 14,3°

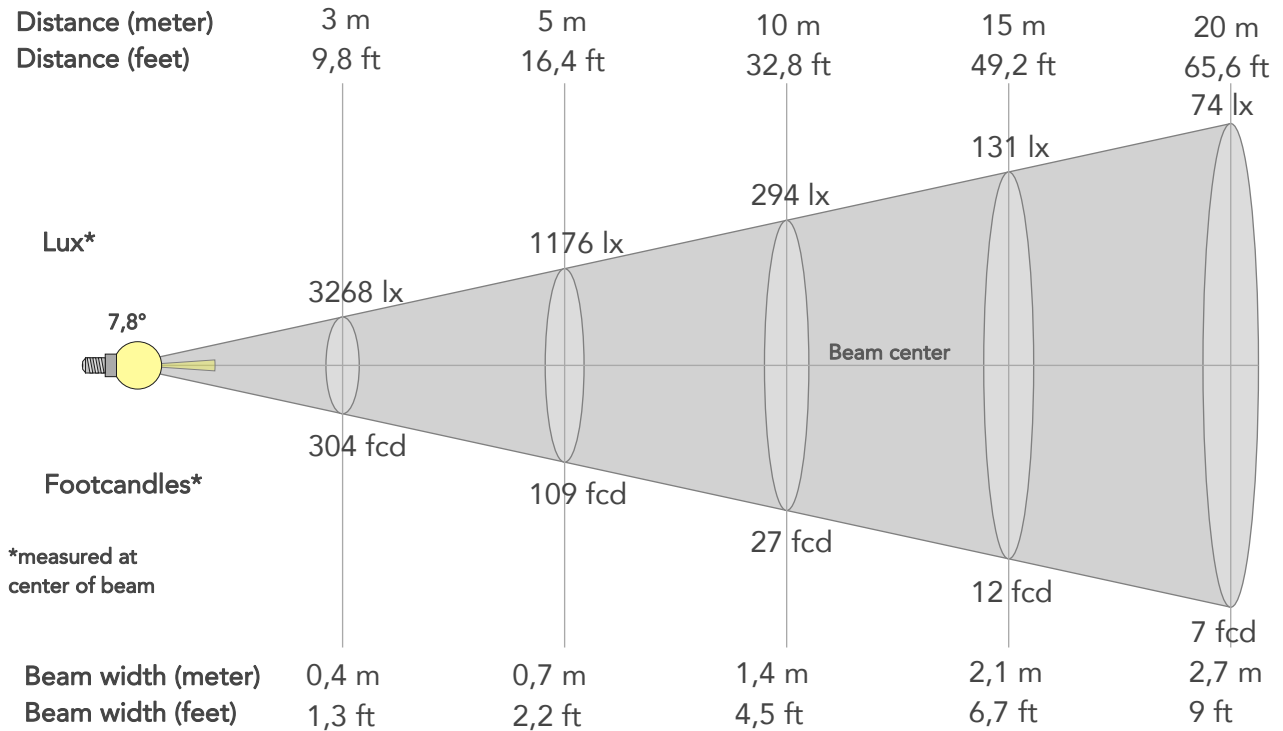
Spectra



BEAM DETAILS



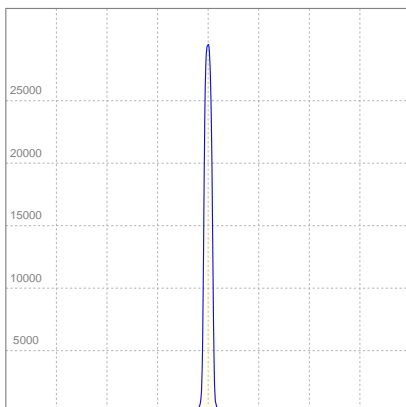
Beam angle 50%	Field angle 10%	Cut off angle 2,5%	Intensity ratio in 120° cone	Intensity ratio in 90° cone
7,8°	11,2°	14,3°	99,7%	97,7%



BEAM INTENSITIES AND WIDTHS

Distance	1m	2m	3m	4m	5m	7,5m	10m	15m	20m	25m	30m	40m	50m
Distance	3,3ft	6,6ft	9,8ft	13,1ft	16,4ft	24,6ft	32,8ft	49,2ft	65,6ft	82ft	98,4ft	131,2ft	164ft
Lux	29409lx	7352lx	3268lx	1838lx	1176lx	523lx	294lx	131lx	74lx	47lx	33lx	18lx	12lx
Footcand.	2732fcd	683fcd	304fcd	171fcd	109fcd	49fcd	27fcd	12fcd	7fcd	4fcd	3fcd	2fcd	1fcd
Beam wid.	0,1m	0,3m	0,4m	0,5m	0,7m	1m	1,4m	2,1m	2,7m	3,4m	4,1m	5,5m	6,8m
Beam wid.	0,5ft	0,9ft	1,3ft	1,8ft	2,2ft	3,4ft	4,5ft	6,7ft	9ft	11,2ft	13,5ft	18ft	22,4ft

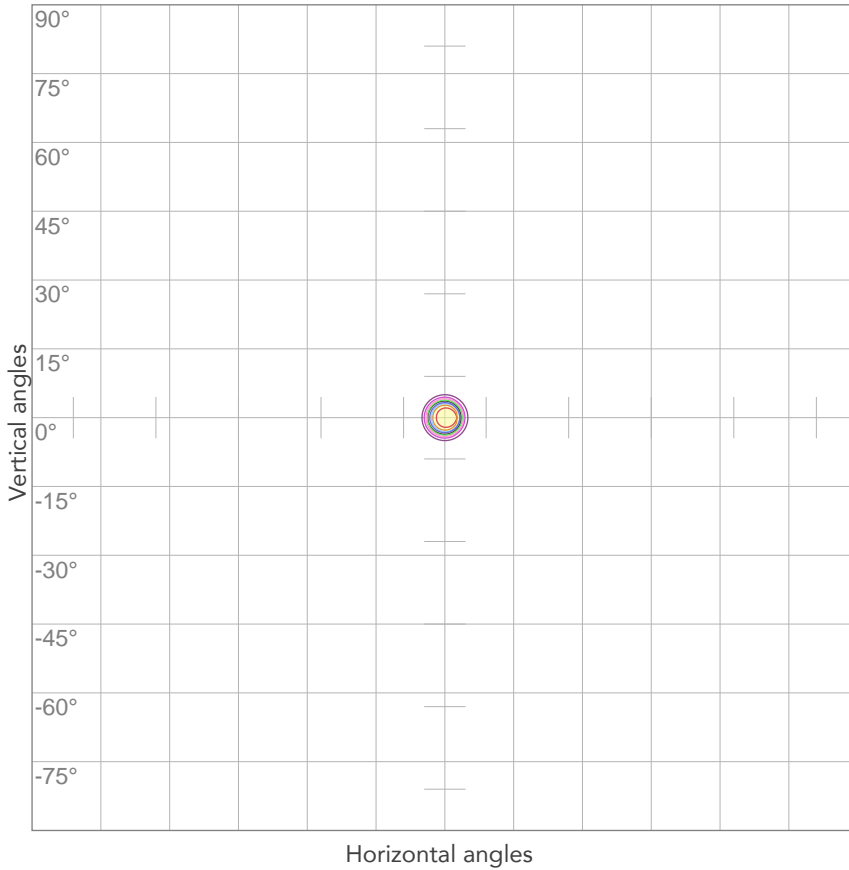
LINEAR DISTRIBUTION DIAGRAM



ELECTRICAL SPECIFICATIONS

Input voltage	Input current	Input power	Efficiency
224V	0,214A	38,4W	14lm/W

ISO CANDELA DIAGRAM



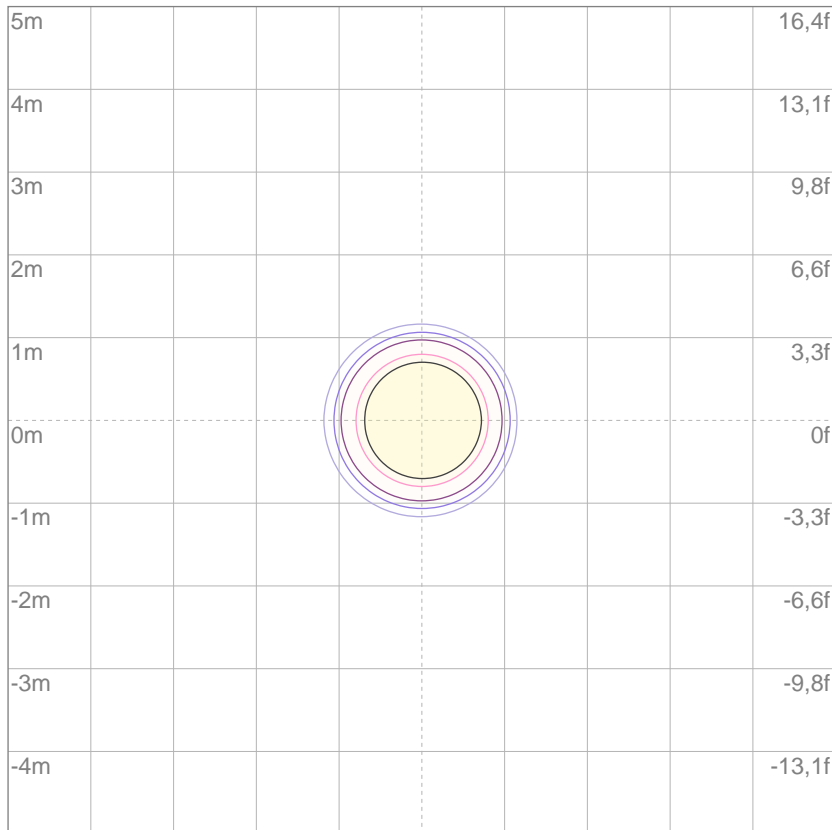
10%	2941 cd
20%	5882 cd
30%	8823 cd
40%	11763 cd
50%	14704 cd
60%	17645 cd
70%	20586 cd
80%	23527 cd

Conditions:

Number of c-planes: 2

Candela at center: 29409 cd

ISO LUX DIAGRAM



3%	8,82 lx
5%	14,7 lx
10%	29,4 lx
30%	88,2 lx
50%	147 lx

Conditions:

Number of c-planes: 2

Lux at center: 294 lx

Lux distribution on a surface when lamp is mounted at 10 meters from the surface.

Mounting height: 10 meters (33 feet)



Total lumen output:

124 lm

Peak candela output:

450 cd

PRODUCT NAME:

VERSAPAR

MEASUREMENT CONDITIONS:

Beam angle:

Max Zoom

Target:

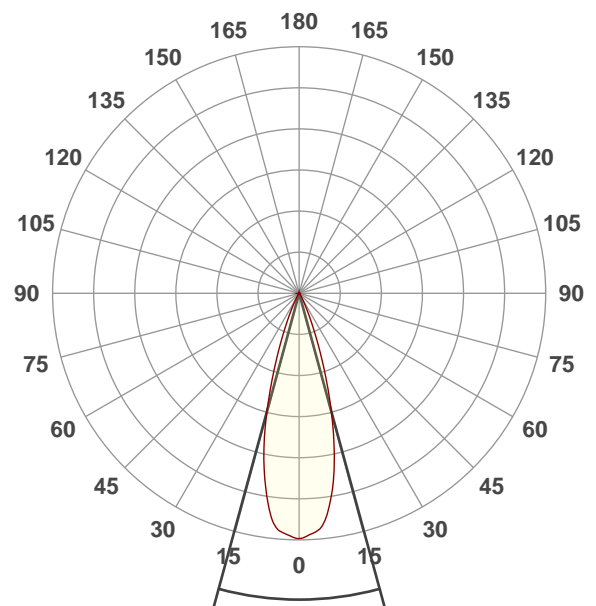
Blue

Operator:

Paolo Carvone

Date and time:

25/05/2020 11:13:08

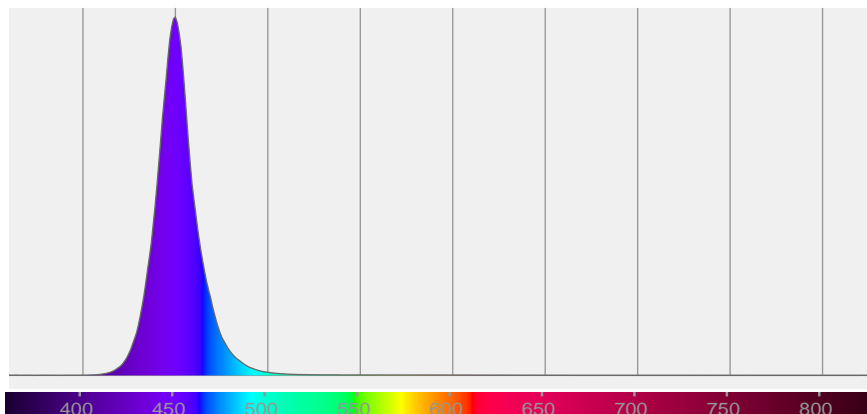


Beam angle 50%: 30,5°

Field angle 10%: 48,2°

Cut off angle 2.5%: 60,3°

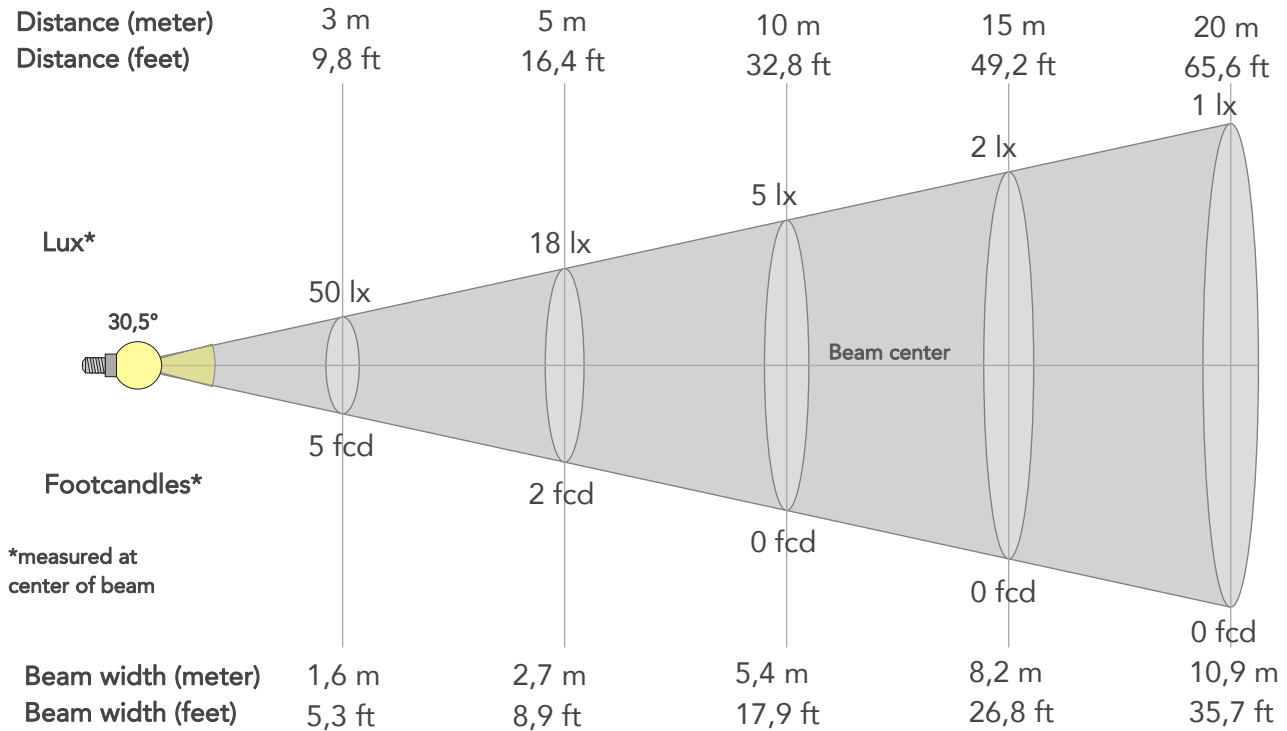
Spectra



BEAM DETAILS



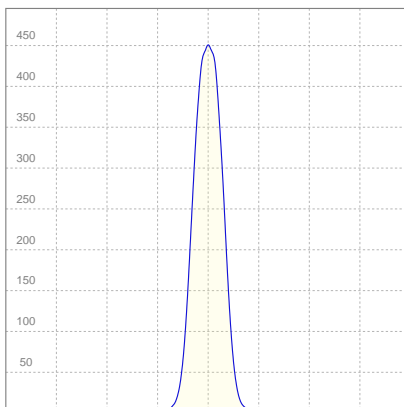
Beam angle 50%	Field angle 10%	Cut off angle 2,5%	Intensity ratio in 120° cone	Intensity ratio in 90° cone
30,5°	48,2°	60,3°	99,7%	99,3%



BEAM INTENSITIES AND WIDTHS

Distance	1m	2m	3m	4m	5m	7,5m	10m	15m	20m	25m	30m	40m	50m
Distance	3,3ft	6,6ft	9,8ft	13,1ft	16,4ft	24,6ft	32,8ft	49,2ft	65,6ft	82ft	98,4ft	131,2ft	164ft
Lux	450lx	113lx	50lx	28lx	18lx	8lx	5lx	2lx	1lx	1lx	1lx	0lx	0lx
Footcand.	42fcd	10fcd	5fcd	3fcd	2fcd	1fcd	0fcd	0fcd	0fcd	0fcd	0fcd	0fcd	0fcd
Beam wid.	0,5m	1,1m	1,6m	2,2m	2,7m	4,1m	5,4m	8,2m	10,9m	13,6m	16,3m	21,8m	27,2m
Beam wid.	1,8ft	3,6ft	5,3ft	7,1ft	8,9ft	13,4ft	17,9ft	26,8ft	35,7ft	44,7ft	53,6ft	71,5ft	89,3ft

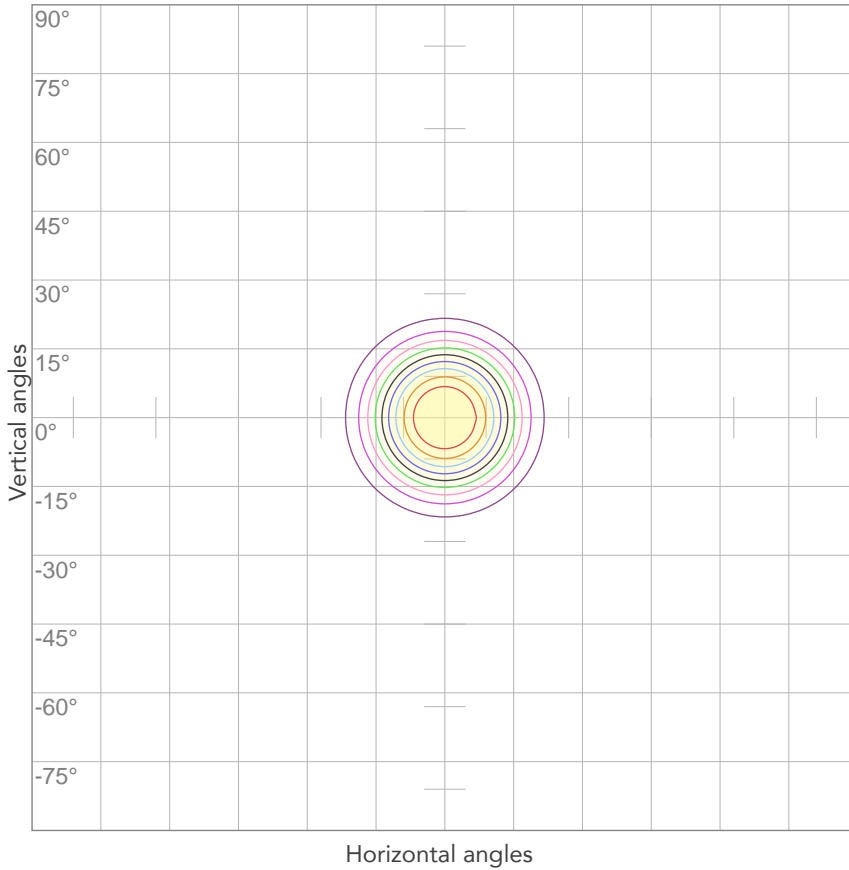
LINEAR DISTRIBUTION DIAGRAM



ELECTRICAL SPECIFICATIONS

Input voltage	Input current	Input power	Effeciency
225V	0,213A	38,4W	3lm/W

ISO CANDELA DIAGRAM

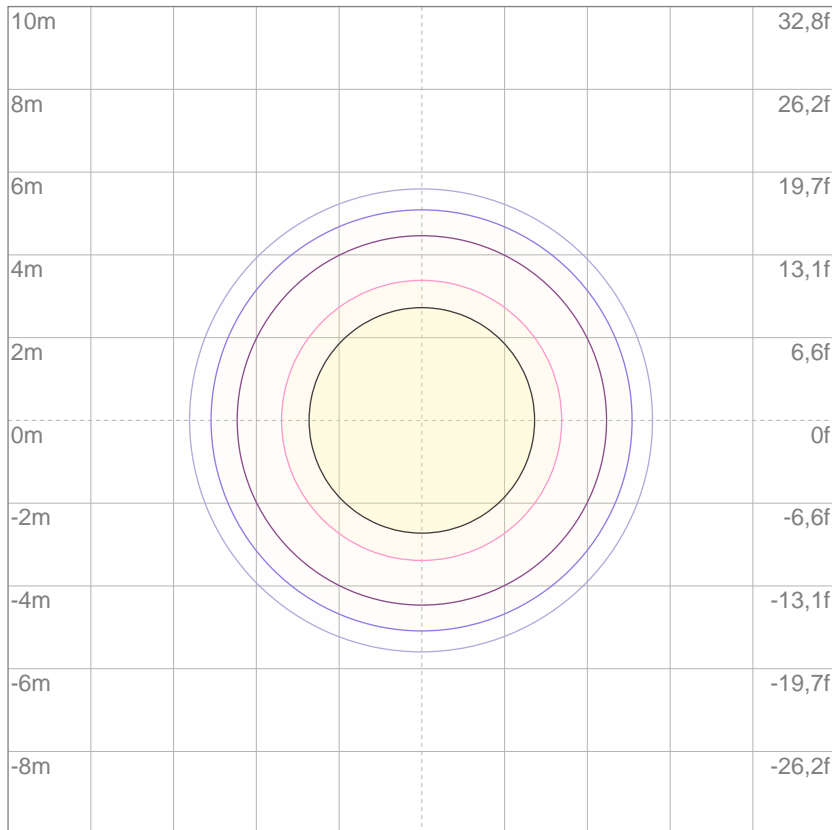


10%	45 cd
20%	90 cd
30%	135 cd
40%	180 cd
50%	225 cd
60%	270 cd
70%	315 cd
80%	360 cd

Conditions:

Number of c-planes: 2
Candela at center: 450 cd

ISO LUX DIAGRAM



Mounting height: 10 meters (33 feet)

3%	0,135 lx
5%	0,225 lx
10%	0,450 lx
30%	1,35 lx
50%	2,25 lx

Conditions:

Number of c-planes: 2
Lux at center: 4,50 lx

Lux distribution on a surface when lamp is mounted at 10 meters from the surface.



Total lumen output:

122 lm

Peak candela output:

1291 cd

PRODUCT NAME:

VERSAPAR

MEASUREMENT CONDITIONS:

Beam angle:

Med Zoom

Target:

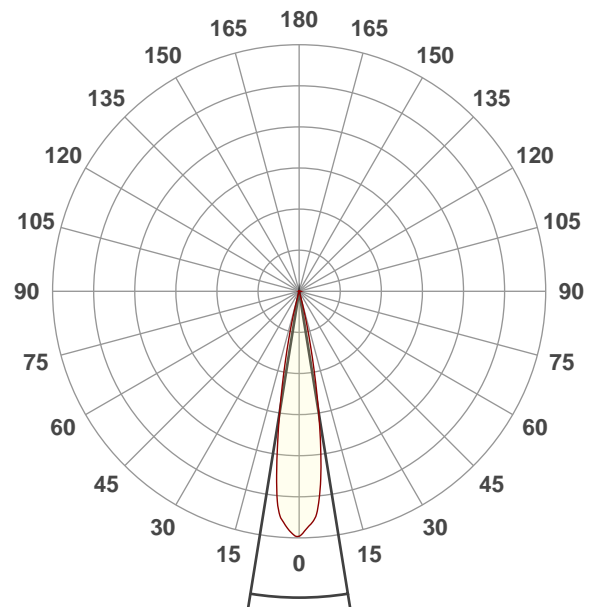
Blue

Operator:

Paolo Carvone

Date and time:

25/05/2020 11:23:11

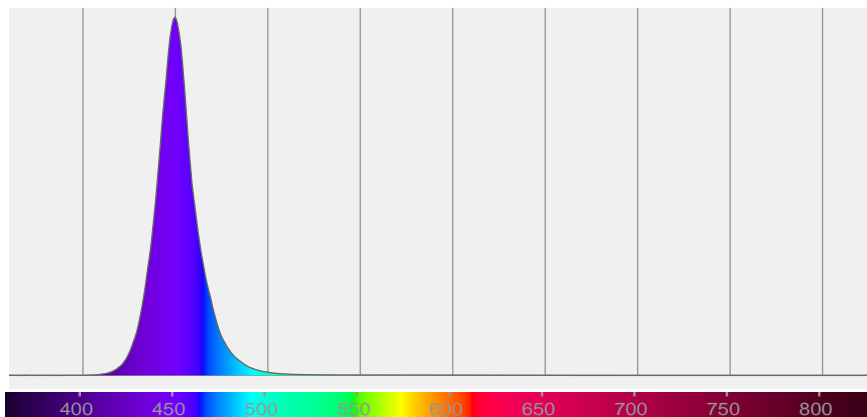


Beam angle 50%: 18,3°

Field angle 10%: 27,4°

Cut off angle 2.5%: 30,9°

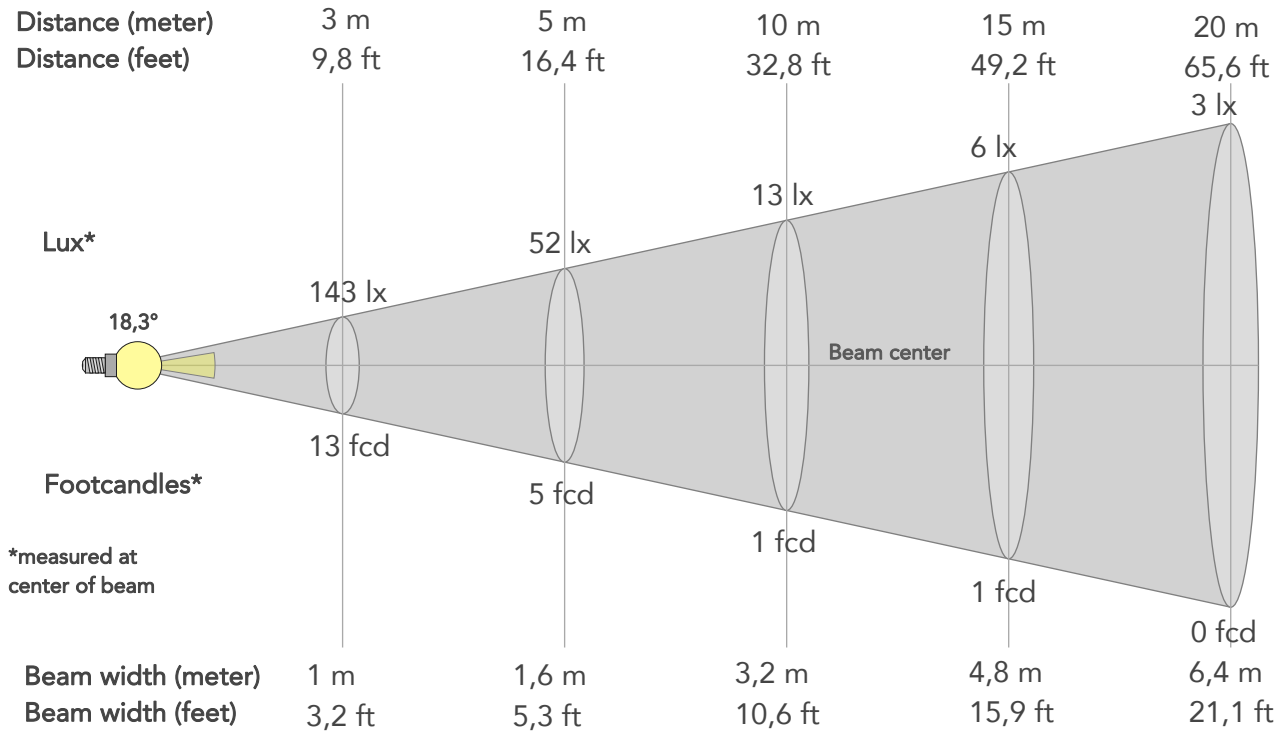
Spectra



BEAM DETAILS



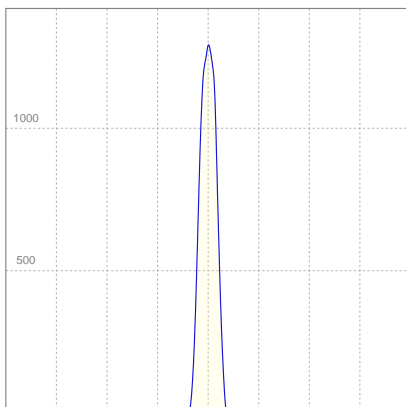
Beam angle 50%	Field angle 10%	Cut off angle 2,5%	Intensity ratio in 120° cone	Intensity ratio in 90° cone
18,3°	27,4°	30,9°	99,7%	98,7%



BEAM INTENSITIES AND WIDTHS

Distance	1m	2m	3m	4m	5m	7,5m	10m	15m	20m	25m	30m	40m	50m
Distance	3,3ft	6,6ft	9,8ft	13,1ft	16,4ft	24,6ft	32,8ft	49,2ft	65,6ft	82ft	98,4ft	131,2ft	164ft
Lux	1289lx	322lx	143lx	81lx	52lx	23lx	13lx	6lx	3lx	2lx	1lx	1lx	1lx
Footcand.	120fcd	30fcd	13fcd	7fcd	5fcd	2fcd	1fcd	1fcd	0fcd	0fcd	0fcd	0fcd	0fcd
Beam wid.	0,3m	0,6m	1m	1,3m	1,6m	2,4m	3,2m	4,8m	6,4m	8,1m	9,7m	12,9m	16,1m
Beam wid.	1,1ft	2,1ft	3,2ft	4,2ft	5,3ft	7,9ft	10,6ft	15,9ft	21,1ft	26,4ft	31,7ft	42,3ft	52,8ft

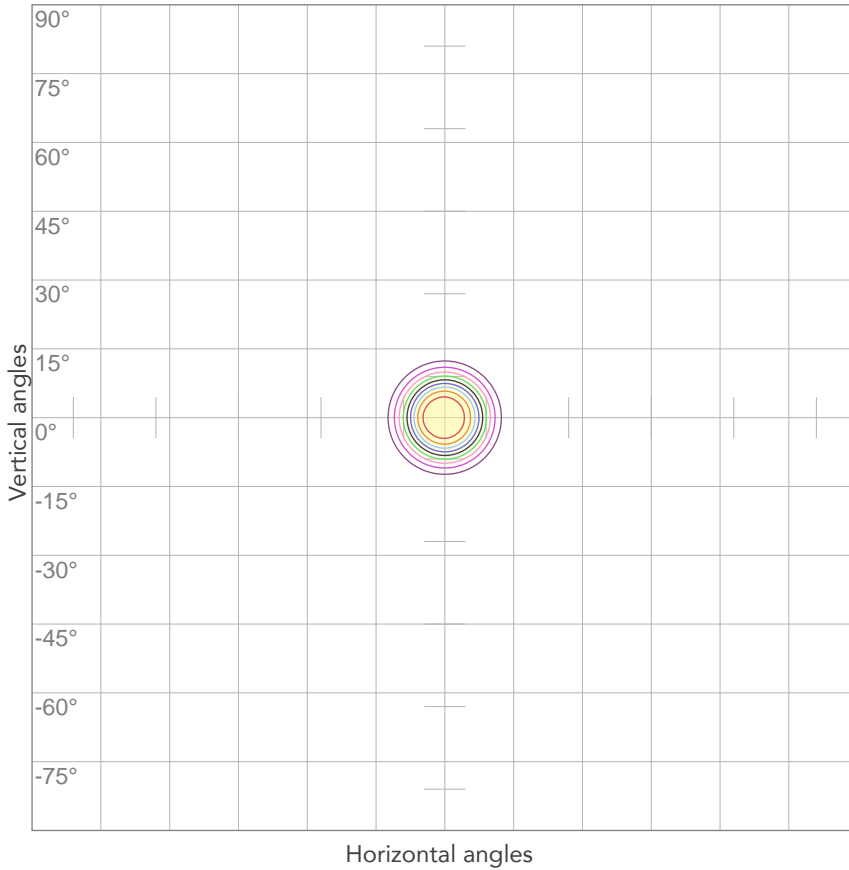
LINEAR DISTRIBUTION DIAGRAM



ELECTRICAL SPECIFICATIONS

Input voltage	Input current	Input power	Effeciency
224V	0,209A	37,2W	3lm/W

ISO CANDELA DIAGRAM



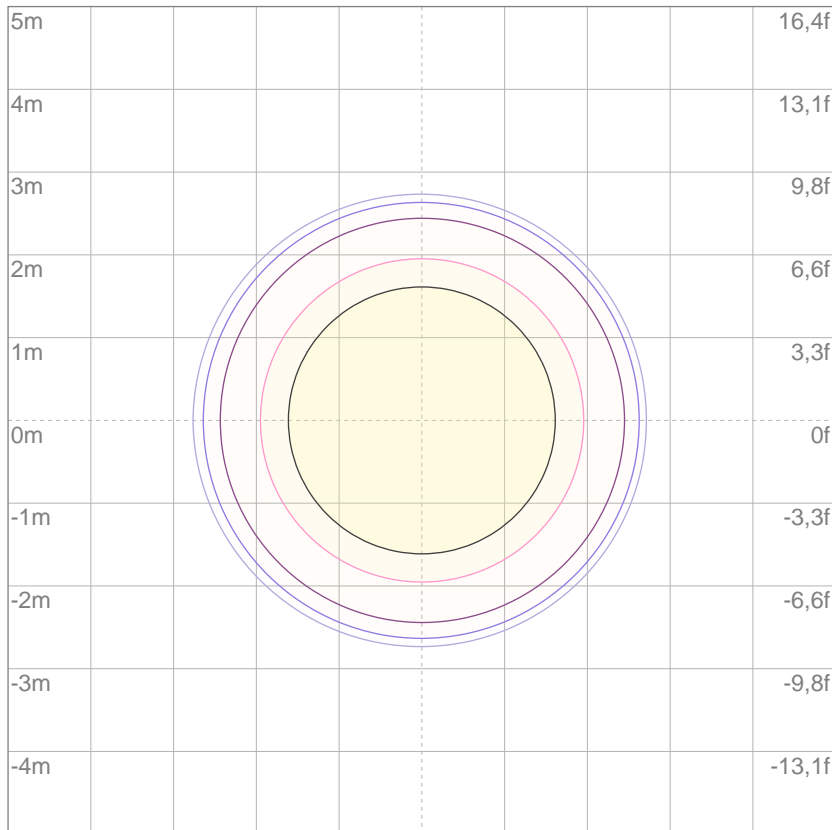
10%	129 cd
20%	258 cd
30%	387 cd
40%	515 cd
50%	644 cd
60%	773 cd
70%	902 cd
80%	1031 cd

Conditions:

Number of c-planes: 2

Candela at center: 1289 cd

ISO LUX DIAGRAM



3%	0,387 lx
5%	0,644 lx
10%	1,29 lx
30%	3,87 lx
50%	6,44 lx

Conditions:

Number of c-planes: 2

Lux at center: 12,9 lx

Lux distribution on a surface when lamp is mounted at 10 meters from the surface.

Mounting height: 10 meters (33 feet)



Total lumen output:

98,0 lm

Peak candela output:

5224 cd

PRODUCT NAME:

VERSAPAR

MEASUREMENT CONDITIONS:

Beam angle:

Min Zoom

Target:

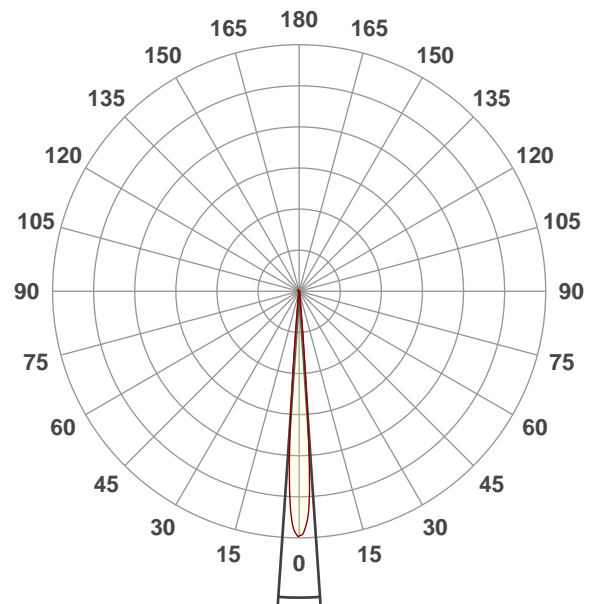
Blue

Operator:

Paolo Carvone

Date and time:

25/05/2020 11:04:15

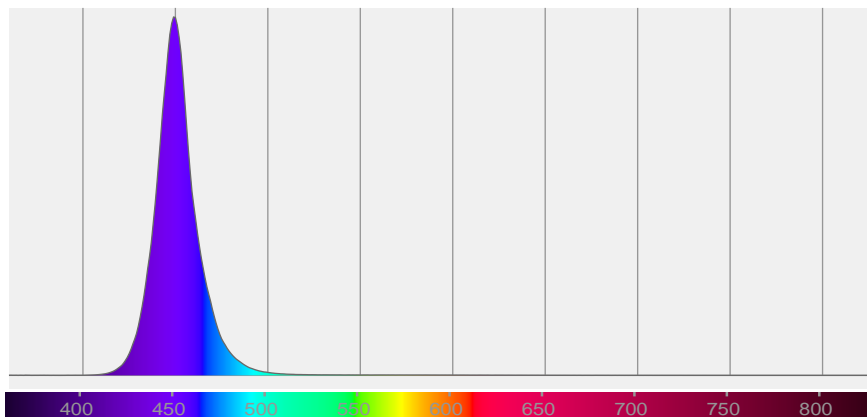


Beam angle 50%: 7,8°

Field angle 10%: 11°

Cut off angle 2.5%: 14,2°

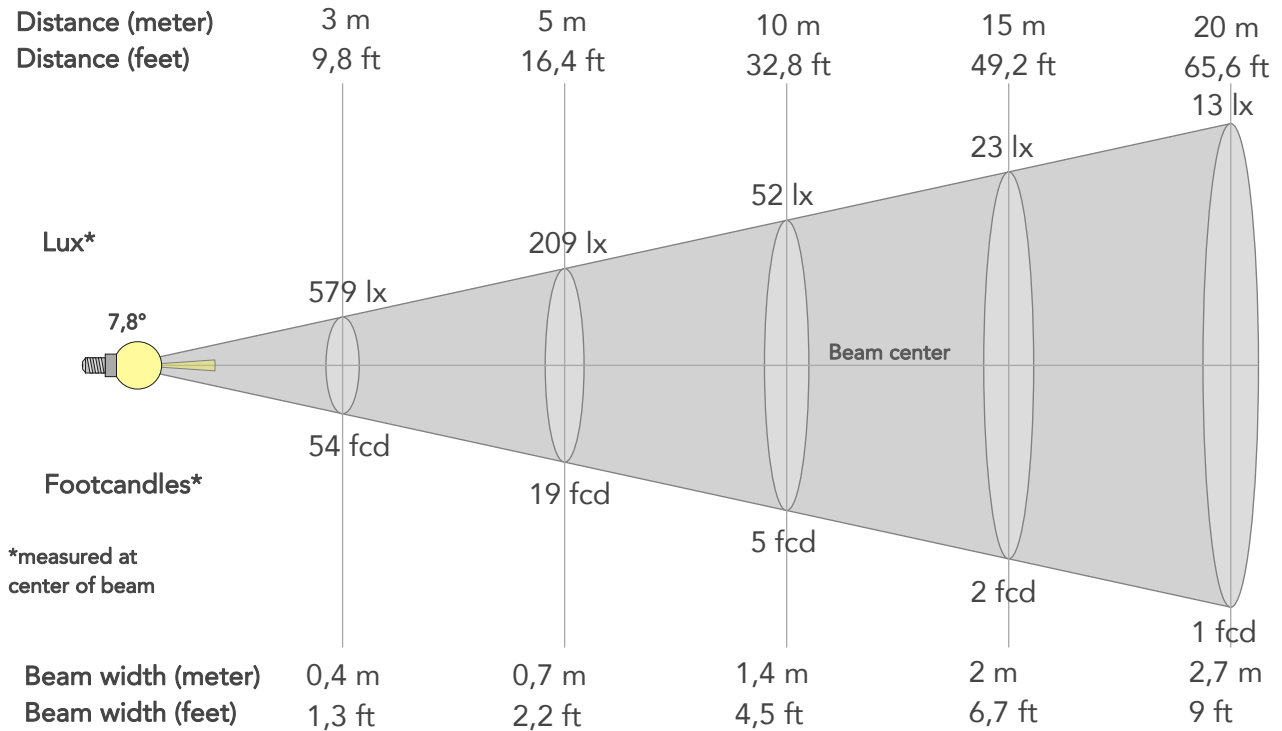
Spectra



BEAM DETAILS



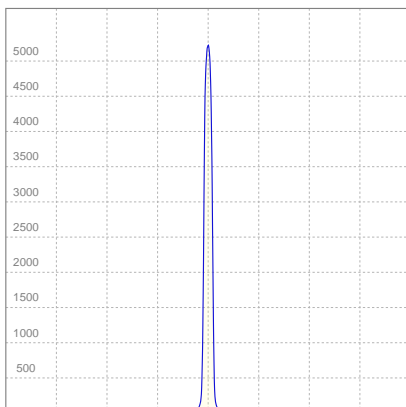
Beam angle 50%	Field angle 10%	Cut off angle 2,5%	Intensity ratio in 120° cone	Intensity ratio in 90° cone
7,8°	11°	14,2°	99,3%	96,9%



BEAM INTENSITIES AND WIDTHS

Distance	1m	2m	3m	4m	5m	7,5m	10m	15m	20m	25m	30m	40m	50m
Distance	3,3ft	6,6ft	9,8ft	13,1ft	16,4ft	24,6ft	32,8ft	49,2ft	65,6ft	82ft	98,4ft	131,2ft	164ft
Lux	5214lx	1304lx	579lx	326lx	209lx	93lx	52lx	23lx	13lx	8lx	6lx	3lx	2lx
Footcand.	484fcd	121fcd	54fcd	30fcd	19fcd	9fcd	5fcd	2fcd	1fcd	1fcd	1fcd	0fcd	0fcd
Beam wid.	0,1m	0,3m	0,4m	0,5m	0,7m	1m	1,4m	2m	2,7m	3,4m	4,1m	5,5m	6,8m
Beam wid.	0,5ft	0,9ft	1,3ft	1,8ft	2,2ft	3,4ft	4,5ft	6,7ft	9ft	11,2ft	13,4ft	17,9ft	22,4ft

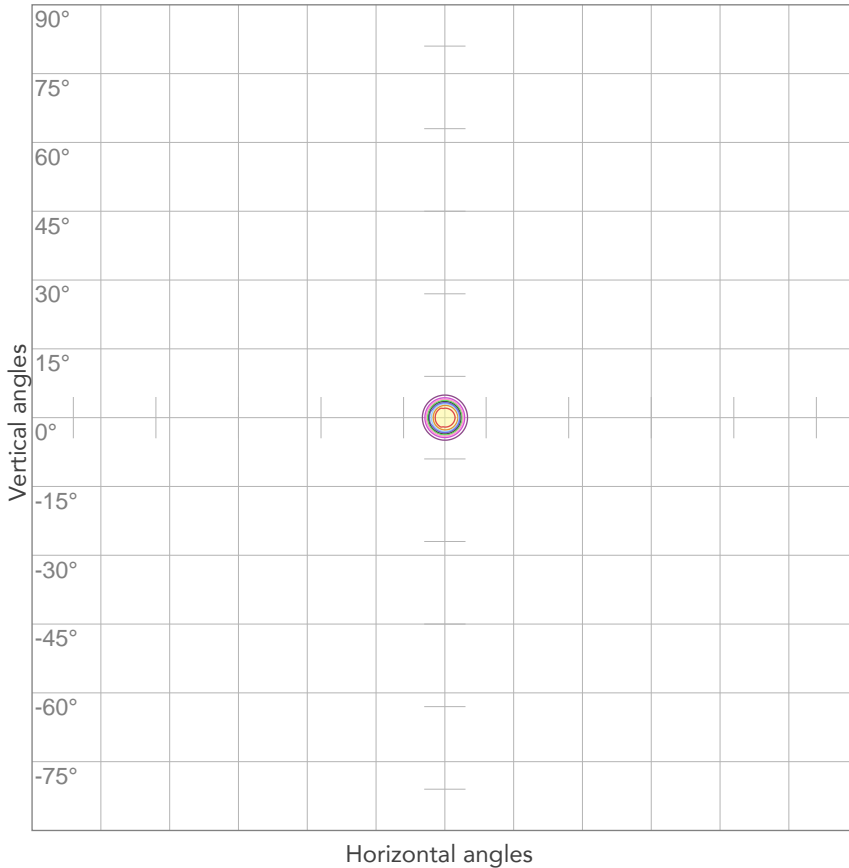
LINEAR DISTRIBUTION DIAGRAM



ELECTRICAL SPECIFICATIONS

Input voltage	Input current	Input power	Effeciency
224V	0,209A	37,4W	3lm/W

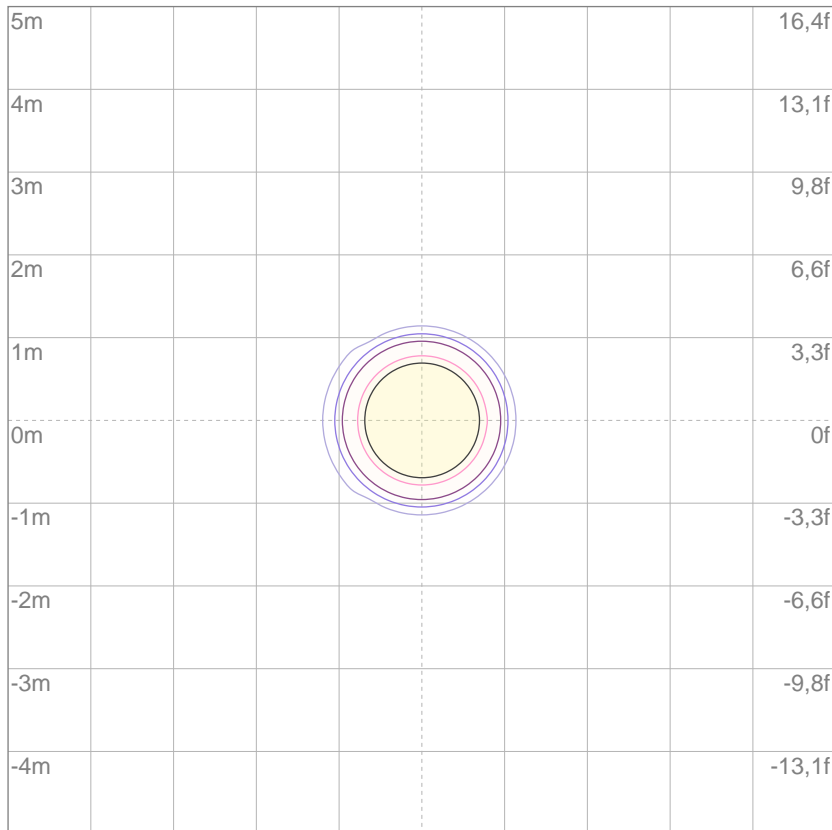
ISO CANDELA DIAGRAM



10%	521 cd
20%	1043 cd
30%	1564 cd
40%	2086 cd
50%	2607 cd
60%	3128 cd
70%	3650 cd
80%	4171 cd

Conditions:
 Number of c-planes: 2
 Candela at center: 5214 cd

ISO LUX DIAGRAM



3%	1,56 lx
5%	2,61 lx
10%	5,21 lx
30%	15,6 lx
50%	26,1 lx

Conditions:
 Number of c-planes: 2
 Lux at center: 52,1 lx

Lux distribution on a surface when lamp is mounted at 10 meters from the surface.

Mounting height: 10 meters (33 feet)



Total lumen output:

853 lm

Peak candela output:

2948 cd

PRODUCT NAME:

VERSAPAR

MEASUREMENT CONDITIONS:

Beam angle:

Max Zoom

Target:

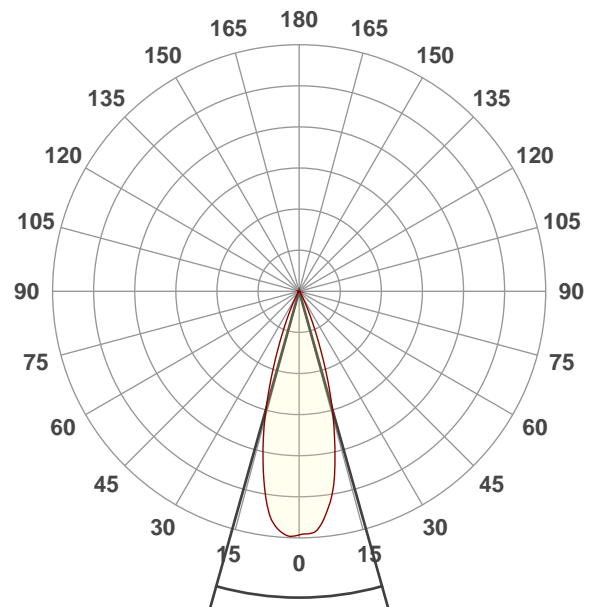
White

Operator:

Paolo Carvone

Date and time:

27/05/2020 13:27:00

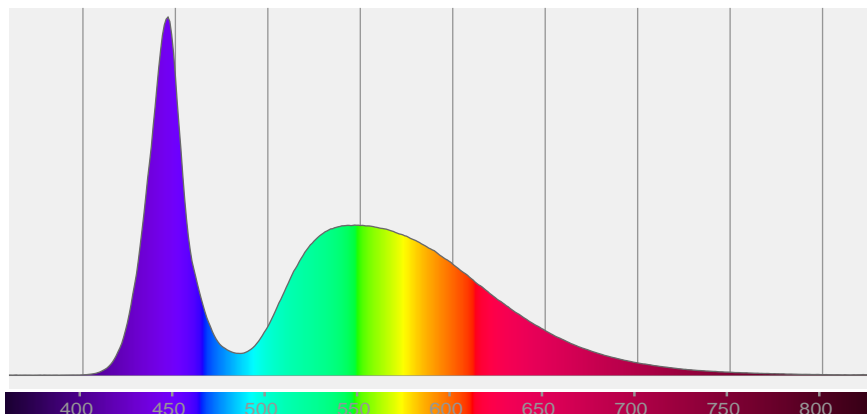


Beam angle 50%: 31,4°

Field angle 10%: 49,3°

Cut off angle 2.5%: 61,8°

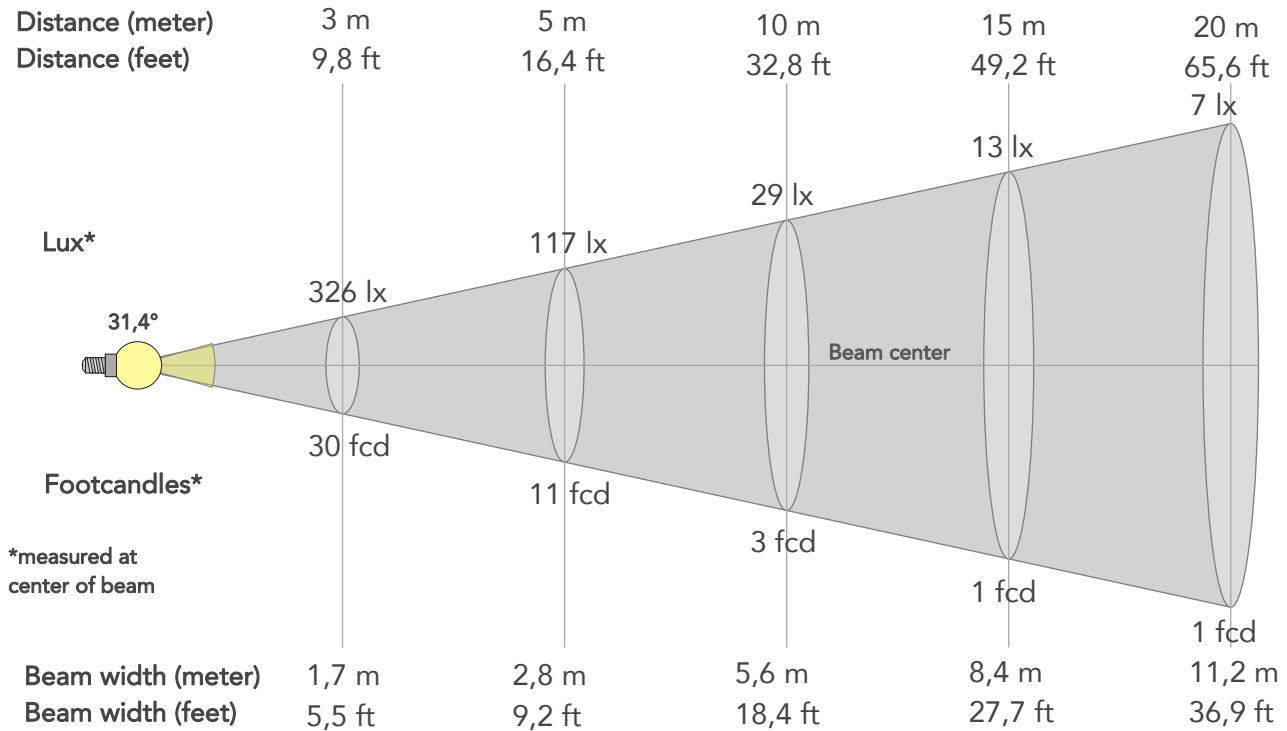
Spectra



BEAM DETAILS



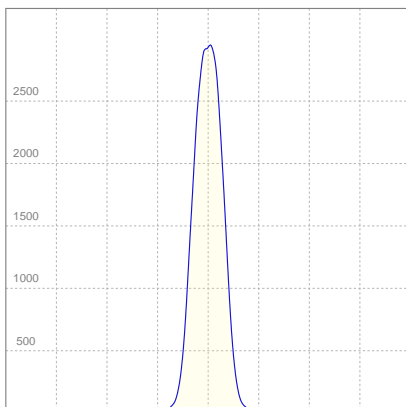
Beam angle 50%	Field angle 10%	Cut off angle 2,5%	Intensity ratio in 120° cone	Intensity ratio in 90° cone
31,4°	49,3°	61,8°	99,9%	99,5%



BEAM INTENSITIES AND WIDTHS

Distance	1m	2m	3m	4m	5m	7,5m	10m	15m	20m	25m	30m	40m	50m
Distance	3,3ft	6,6ft	9,8ft	13,1ft	16,4ft	24,6ft	32,8ft	49,2ft	65,6ft	82ft	98,4ft	131,2ft	164ft
Lux	2931lx	733lx	326lx	183lx	117lx	52lx	29lx	13lx	7lx	5lx	3lx	2lx	1lx
Footcand.	272fcd	68fcd	30fcd	17fcd	11fcd	5fcd	3fcd	1fcd	1fcd	0fcd	0fcd	0fcd	0fcd
Beam wid.	0,6m	1,1m	1,7m	2,2m	2,8m	4,2m	5,6m	8,4m	11,2m	14,1m	16,9m	22,5m	28,1m
Beam wid.	1,9ft	3,7ft	5,5ft	7,4ft	9,2ft	13,8ft	18,4ft	27,7ft	36,9ft	46,1ft	55,3ft	73,8ft	92,2ft

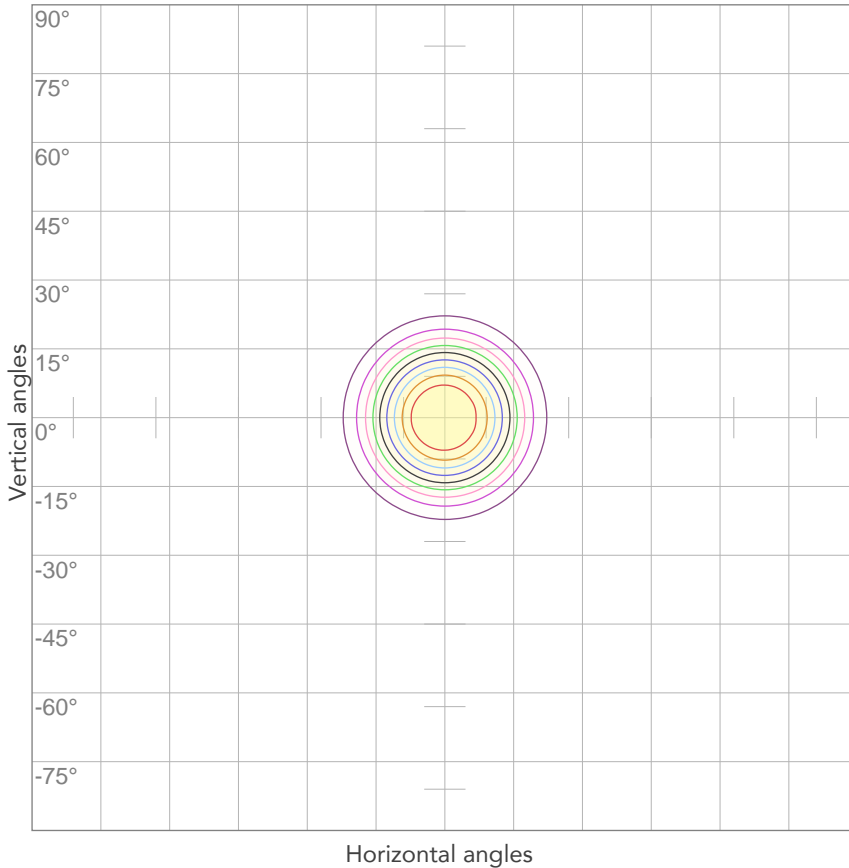
LINEAR DISTRIBUTION DIAGRAM



ELECTRICAL SPECIFICATIONS

Input voltage	Input current	Input power	Efficiency
227V	0,217A	39,7W	21lm/W

ISO CANDELA DIAGRAM



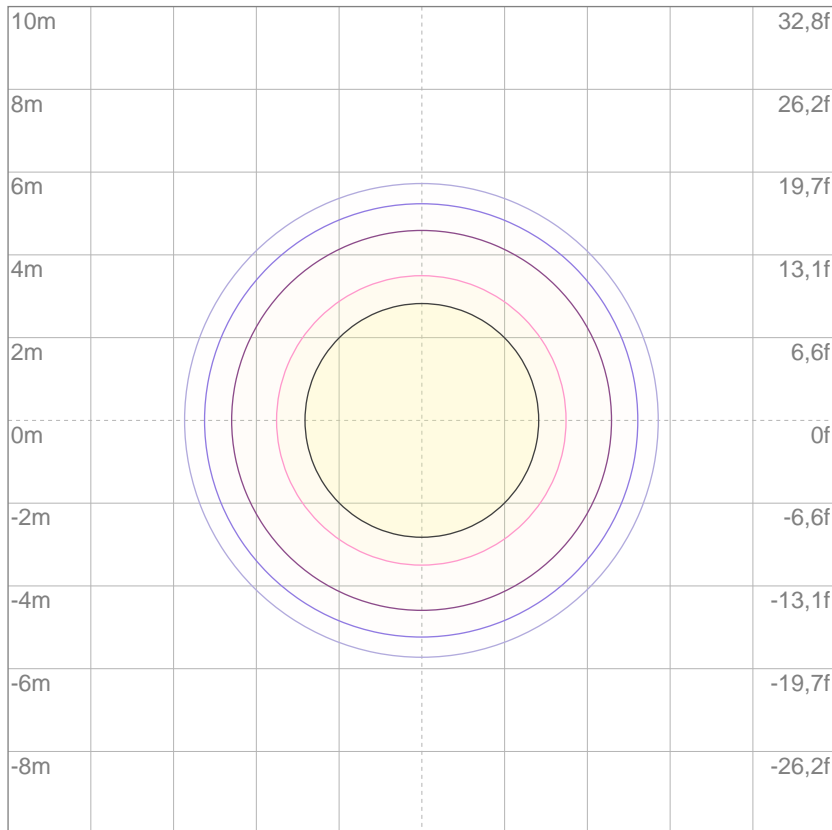
10%	293 cd
20%	586 cd
30%	879 cd
40%	1172 cd
50%	1465 cd
60%	1759 cd
70%	2052 cd
80%	2345 cd

Conditions:

Number of c-planes: 2

Candela at center: 2931 cd

ISO LUX DIAGRAM



Mounting height: 10 meters (33 feet)

3%	0,879 lx
5%	1,47 lx
10%	2,93 lx
30%	8,79 lx
50%	14,7 lx

Conditions:

Number of c-planes: 2

Lux at center: 29,3 lx

Lux distribution on a surface when lamp is mounted at 10 meters from the surface.



Total lumen output:

826 lm

Peak candela output:

8018 cd

PRODUCT NAME:

VERSAPAR

MEASUREMENT CONDITIONS:

Beam angle:

Med Zoom

Target:

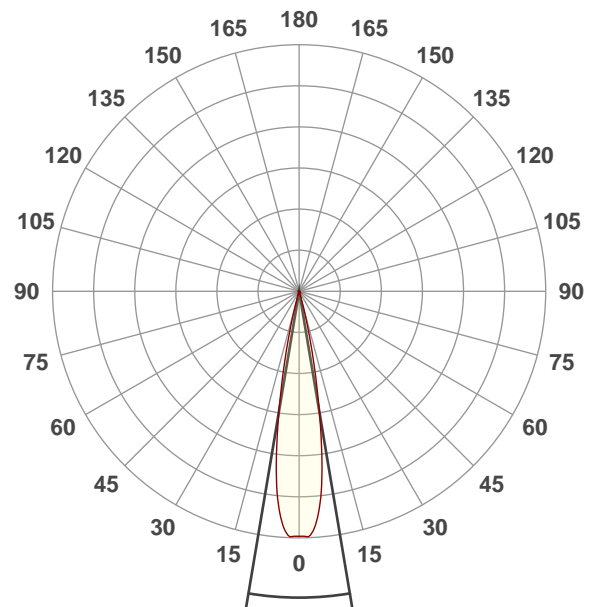
White

Operator:

Paolo Carvone

Date and time:

27/05/2020 13:28:36

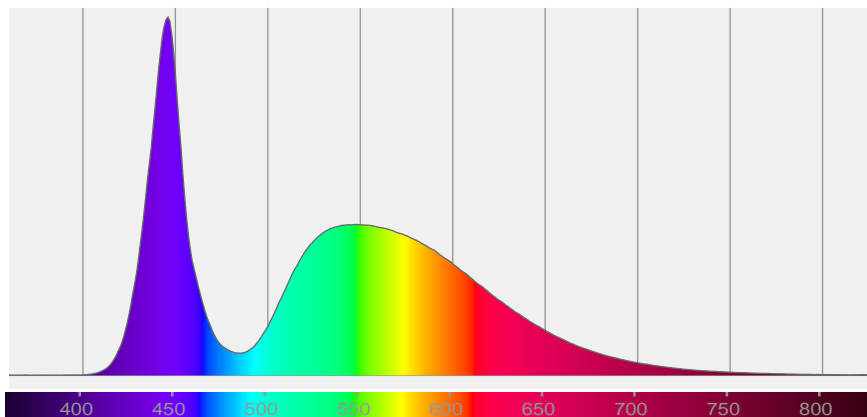


Beam angle 50%: 19°

Field angle 10%: 28,6°

Cut off angle 2.5%: 32,7°

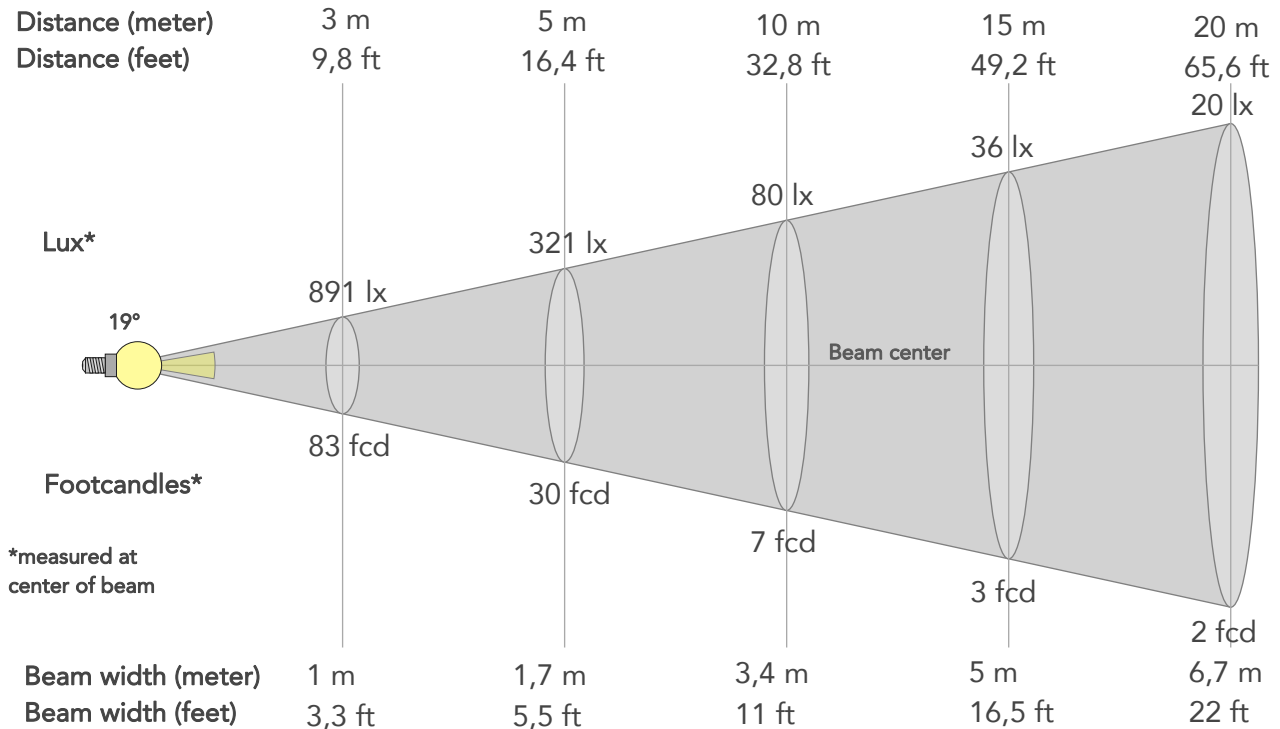
Spectra



BEAM DETAILS



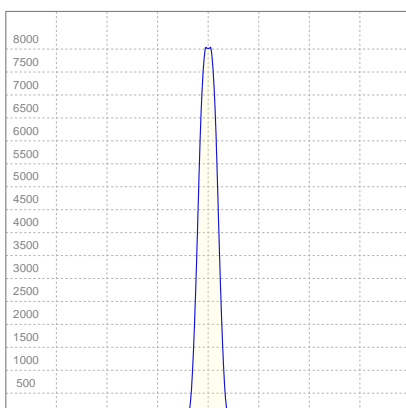
Beam angle 50%	Field angle 10%	Cut off angle 2,5%	Intensity ratio in 120° cone	Intensity ratio in 90° cone
19°	28,6°	32,7°	99,8%	98,7%



BEAM INTENSITIES AND WIDTHS

Distance	1m	2m	3m	4m	5m	7,5m	10m	15m	20m	25m	30m	40m	50m
Distance	3,3ft	6,6ft	9,8ft	13,1ft	16,4ft	24,6ft	32,8ft	49,2ft	65,6ft	82ft	98,4ft	131,2ft	164ft
Lux	8015lx	2004lx	891lx	501lx	321lx	142lx	80lx	36lx	20lx	13lx	9lx	5lx	3lx
Footcand.	745fcd	186fcd	83fcd	47fcd	30fcd	13fcd	7fcd	3fcd	2fcd	1fcd	1fcd	0fcd	0fcd
Beam wid.	0,3m	0,7m	1m	1,3m	1,7m	2,5m	3,4m	5m	6,7m	8,4m	10,1m	13,4m	16,8m
Beam wid.	1,1ft	2,2ft	3,3ft	4,4ft	5,5ft	8,3ft	11ft	16,5ft	22ft	27,5ft	33ft	44ft	55ft

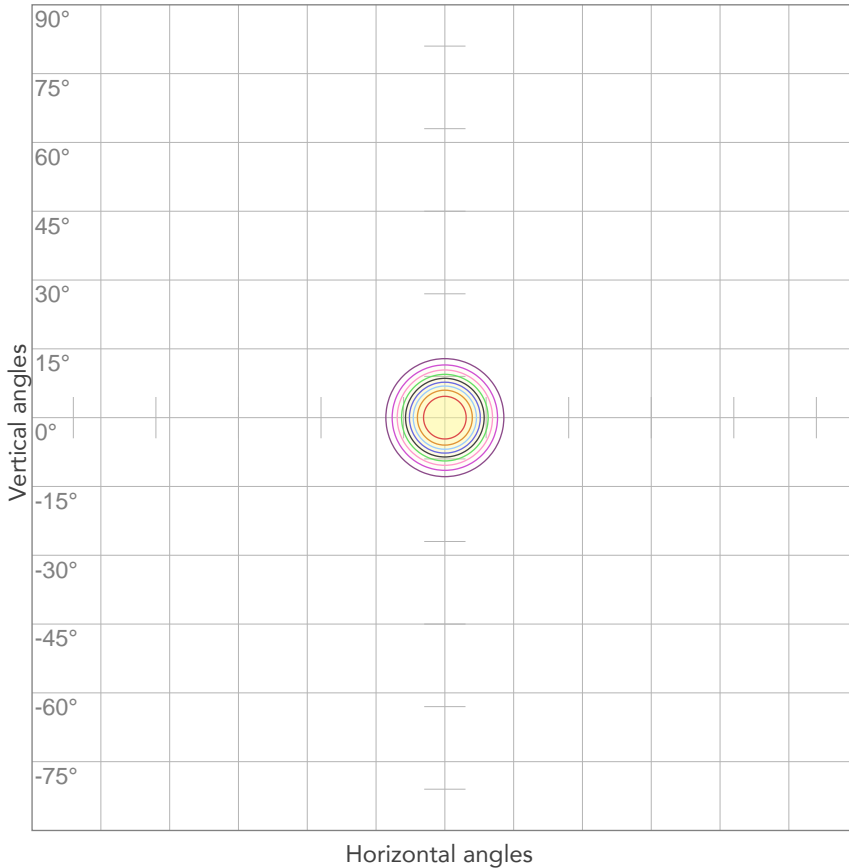
LINEAR DISTRIBUTION DIAGRAM



ELECTRICAL SPECIFICATIONS

Input voltage	Input current	Input power	Efficiency
227V	0,211A	38,1W	22lm/W

ISO CANDELA DIAGRAM



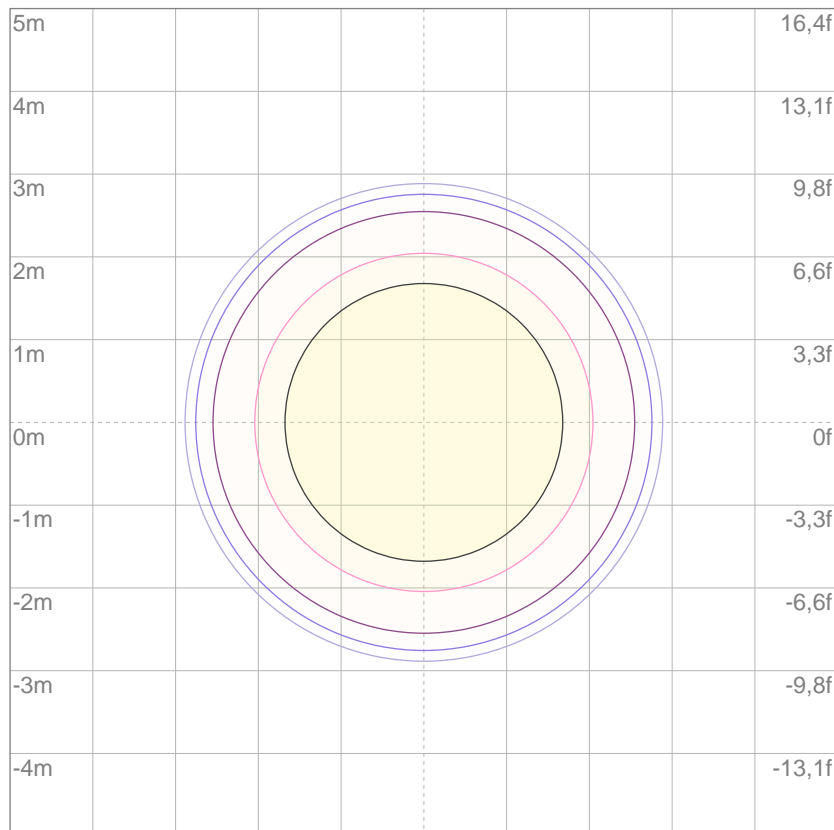
10%	802 cd
20%	1603 cd
30%	2405 cd
40%	3206 cd
50%	4008 cd
60%	4809 cd
70%	5611 cd
80%	6412 cd

Conditions:

Number of c-planes: 2

Candela at center: 8015 cd

ISO LUX DIAGRAM



3%	2,40 lx
5%	4,01 lx
10%	8,02 lx
30%	24,0 lx
50%	40,1 lx

Conditions:

Number of c-planes: 2

Lux at center: 80,2 lx

Lux distribution on a surface when lamp is mounted at 10 meters from the surface.

Mounting height: 10 meters (33 feet)



Total lumen output:

734 lm

Peak candela output:

36162 cd

PRODUCT NAME:

VERSAPAR

MEASUREMENT CONDITIONS:

Beam angle:

Min Zoom

Target:

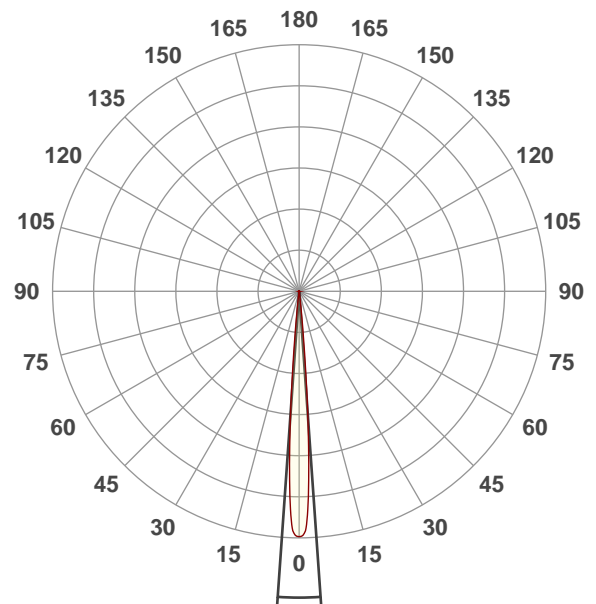
White

Operator:

Paolo Carvone

Date and time:

27/05/2020 13:30:32

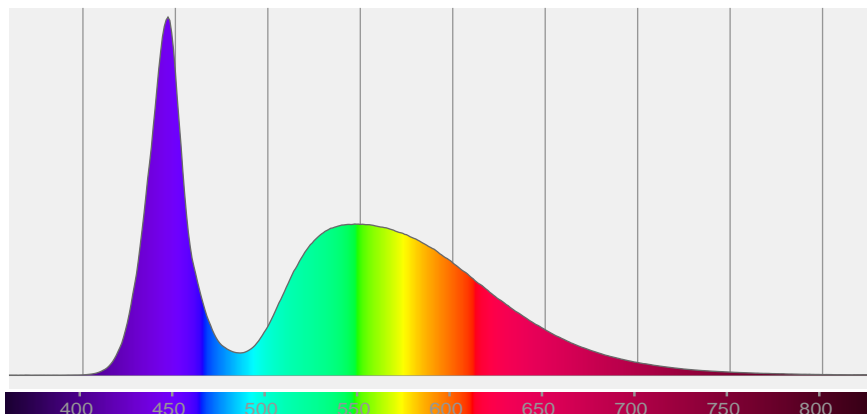


Beam angle 50%: 8°

Field angle 10%: 12°

Cut off angle 2.5%: 14,7°

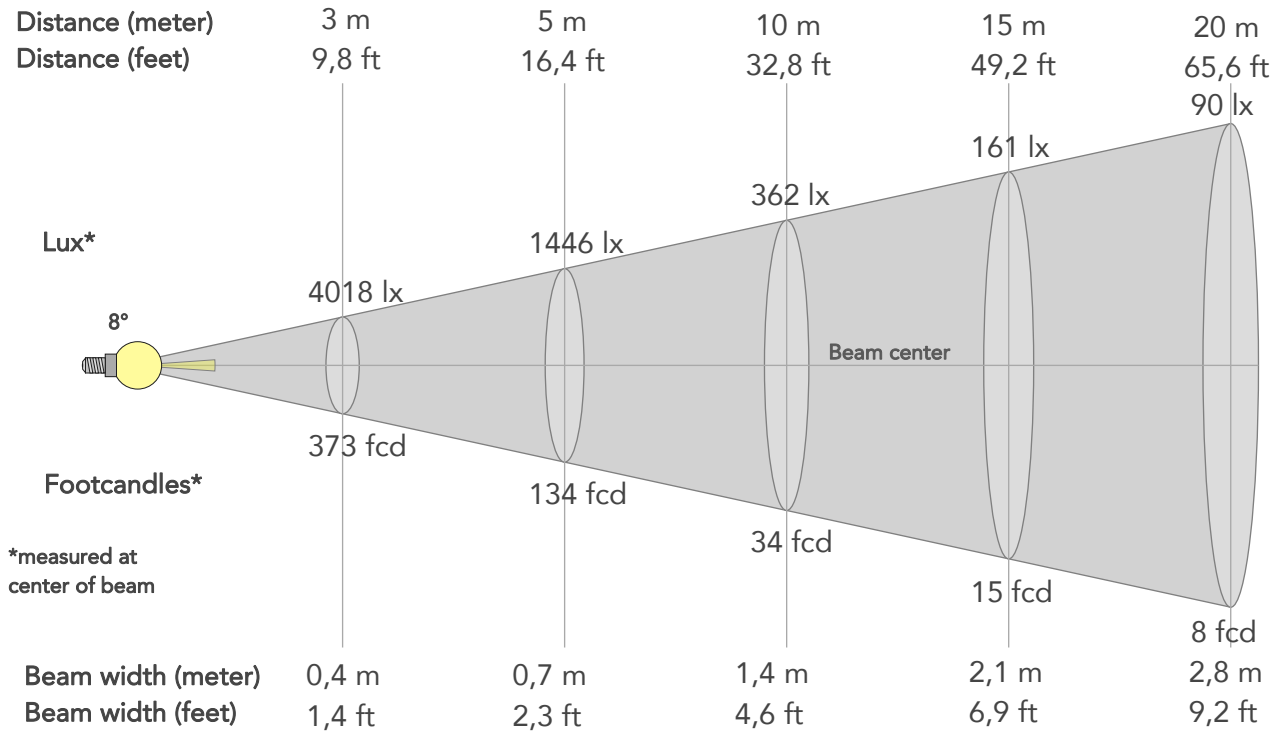
Spectra



BEAM DETAILS



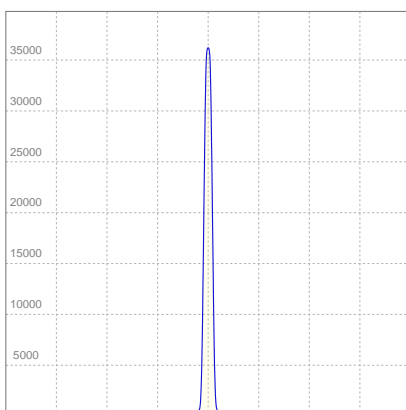
Beam angle 50%	Field angle 10%	Cut off angle 2,5%	Intensity ratio in 120° cone	Intensity ratio in 90° cone
8°	12°	14,7°	99,8%	97,6%



BEAM INTENSITIES AND WIDTHS

Distance	1m	2m	3m	4m	5m	7,5m	10m	15m	20m	25m	30m	40m	50m
Distance	3,3ft	6,6ft	9,8ft	13,1ft	16,4ft	24,6ft	32,8ft	49,2ft	65,6ft	82ft	98,4ft	131,2ft	164ft
Lux	36162lx	9041lx	4018lx	2260lx	1446lx	643lx	362lx	161lx	90lx	58lx	40lx	23lx	14lx
Footcand.	3360fcd	840fcd	373fcd	210fcd	134fcd	60fcd	34fcd	15fcd	8fcd	5fcd	4fcd	2fcd	1fcd
Beam wid.	0,1m	0,3m	0,4m	0,6m	0,7m	1,1m	1,4m	2,1m	2,8m	3,5m	4,2m	5,6m	7m
Beam wid.	0,5ft	0,9ft	1,4ft	1,8ft	2,3ft	3,5ft	4,6ft	6,9ft	9,2ft	11,5ft	13,8ft	18,4ft	23ft

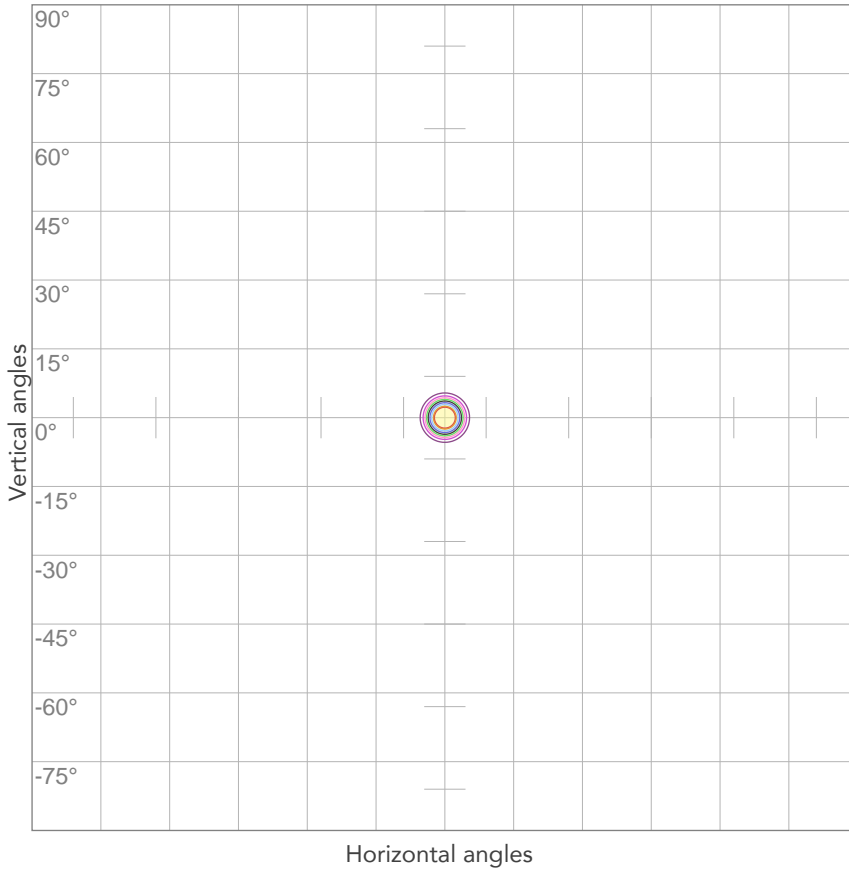
LINEAR DISTRIBUTION DIAGRAM



ELECTRICAL SPECIFICATIONS

Input voltage	Input current	Input power	Effeciency
228V	0,210A	38,0W	19lm/W

ISO CANDELA DIAGRAM



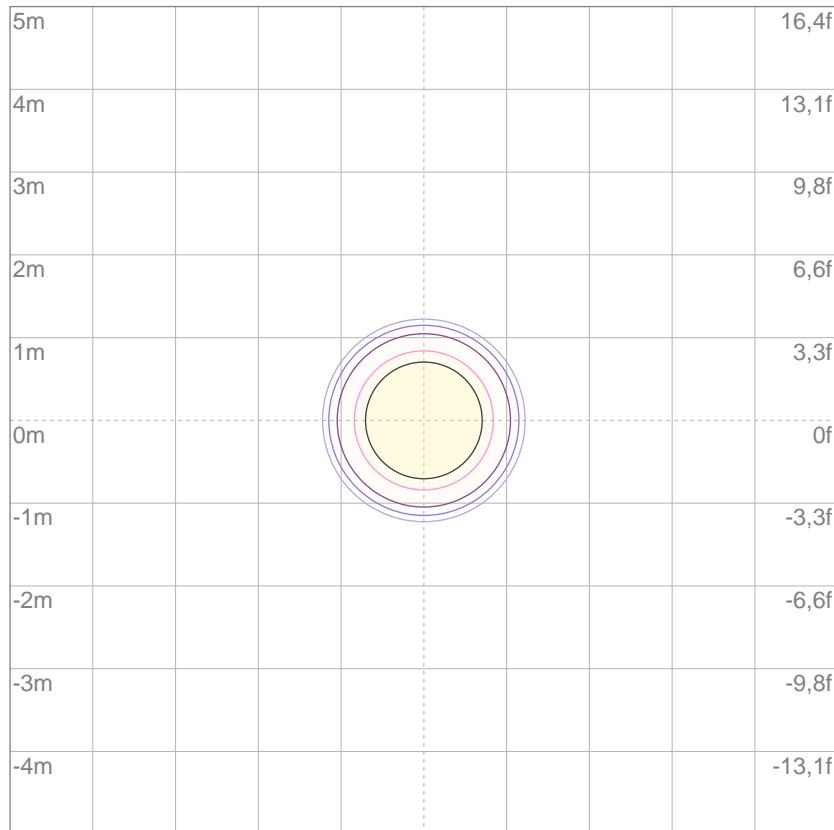
10%	3616 cd
20%	7232 cd
30%	10849 cd
40%	14465 cd
50%	18081 cd
60%	21697 cd
70%	25313 cd
80%	28930 cd

Conditions:

Number of c-planes: 2

Candela at center: 36162 cd

ISO LUX DIAGRAM



3%	10,8 lx
5%	18,1 lx
10%	36,2 lx
30%	108 lx
50%	181 lx

Conditions:

Number of c-planes: 2

Lux at center: 362 lx

Lux distribution on a surface when lamp is mounted at 10 meters from the surface.