

SCM-1 SCENEMASTER

04624

DESCRIPTION

16ch DMX scene setter with MIDI out.

FEATURES

- Extremely user-friendly 16channel DMX controller for all kinds of applications: stage, DJ, architectural lighting, ...
- Seamless linking of up to 4 units to obtain a virtual controller with maximum 64channels and/or scenes!
- 2 user modes:
 - **Dimmer mode:** you can control 16 dimmer channels gradually (extendable up to 64channels)
 - **Scene mode:** you can create 16 scenes, each containing 16channels (extendable to 64scenes, each containing 64channels)
- MIDI functionality via USB (16ch):
 - **MIDI OUT:** all channel faders + flash buttons can also send out MIDI-commands so you can control different MIDI applications (ex. Arkaos, Resolume, DMX-Creator, Daslight, ...)
 - **MIDI IN:** all scenes (16 up to 64) can be controlled by any external MIDI controller (seamless integration with MIDI-software such as Cubase, etc.), perfect for musicians etc.
- The channel faders can be used to mix several scenes together.
- Push buttons on top of all dimmer channels:
 - **Dimmer mode:** used as flash buttons
 - **Scene mode:** scenes can easily be switched on/off
- Blackout function
- Last output is preserved while the unit is switched off and on again (no need to push any button or de-active blackout): perfect for use on exhibition booths, shops, ...
- 4-digit LED-display shows DMX-values (0-255 or 0-100%) and MIDI-values (0-127)



www.jb-systems.eu | <https://www.facebook.com/JBS.Belgium/>

Beglec NV has the right to change products and specifications with and without notice. Major as well as minor changes can be involved. This leaflet can contain errors, therefore we advice to consult your local dealer to ensure that actual features and specifications match your requirements. Copyright © 2015 by BEGLEC NV. All rights reserved.

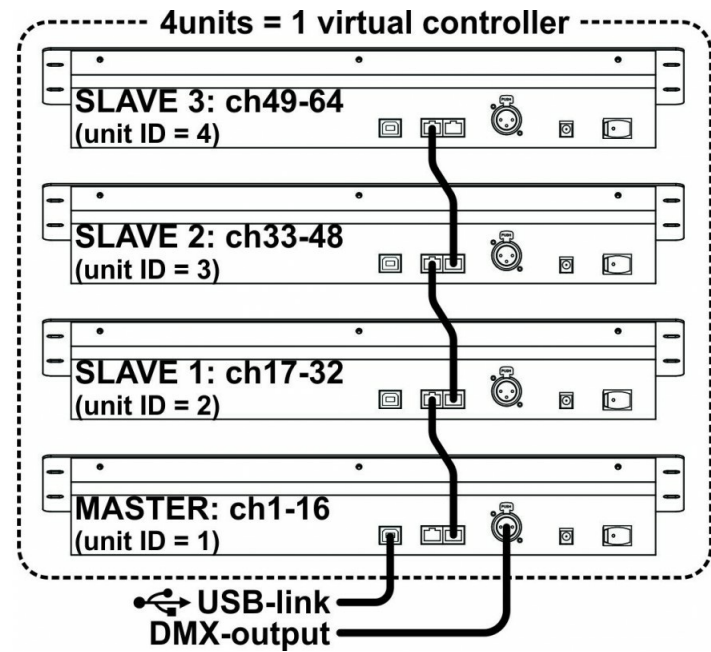


JBSYSTEMS

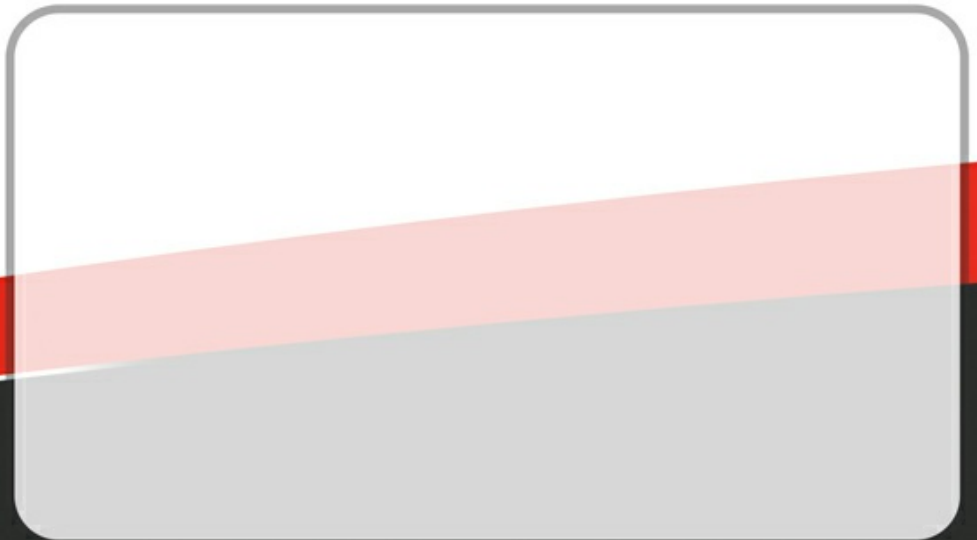


SPECIFICATIONS

General : Application	Architectural, DJ & Club, Stage & Rental
General : Dimensions (cm)	13.3 x 48.3 x 8.5 cm
General : Weight (kg)	2.5
General : Powerinput	No
General : Energy Label	No
General : Power consumption W	No
General : Color	black
General : Display	LED
General : Fixation	No
General : RU	No
General : IP rating	indoor
Control : programmable	No
Control : upgradable software	Yes
Control : maximum DMX channels	16
Connections : input	No
Connections : output	3-Pin XLR
Connections : XLR 3 pin	Yes
Connections : XLR 5 pin	No
Connections : rca	No
Connections : jack	No
Connections : speakon	No
Connections : Power Conn.	No
Connections : hdmi	No
Connections : midi	No
Connections : usb	Yes
Connections : wifi	no
Connections : bluetooth	No
Connections : artnet	No
Connections : rdm	No
EANCode	5420025646246
Discontinued	No



YOUR DEALER



www.jb-systems.eu | <https://www.facebook.com/JBS.Belgium/>

Beglec NV has the right to change products and specifications with and without notice. Major as well as minor changes can be involved. This leaflet can contain errors, therefore we advice to consult your local dealer to ensure that actual features and specifications match your requirements. Copyright © 2015 by BEGLEC NV. All rights reserved.

