

LDP-COLORBAR 12FC

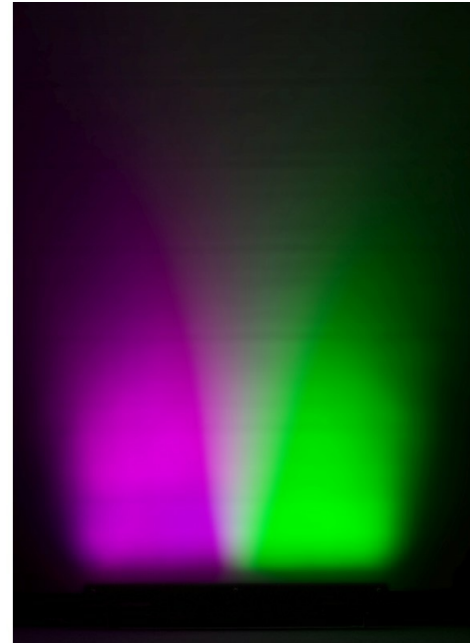
05145

DESCRIPTION

Powerful IP65 LED projector (length: 48cm) equipped with 12pcs 4W RGBW leds. The projector is divided in 2 independent sections.

FEATURES

- Powerful indoor / outdoor IP65 LED projector equipped for typical “wall wash” applications.
- Excellent light output and perfect color mixing thanks to 4Watt RGBW LEDs and high quality optics.
- Available in 2 versions:
 - LDP-COLORBAR 12FC: 48cm long enclosure, equipped with 12 leds, divided into 2 sections.
 - LDP-COLORBAR 24FC: 96cm long enclosure, equipped with 24 leds, divided into 4 sections.
- Elegant, extruded aluminum housing finished with tempered glass cover.
- The discretely designed bracket can be easily adjusted in any position.
- The included barndoor hides the LEDs and thus reduces unwanted glare.
- Optimal thermal management for long lifespan and easy maintenance
- Internal power supply and DMX / LED-driver electronics for easy installation.
- Waterproof input and output connectors allow the user to link up to 16pcs of LDP-COLORBAR 12FC.
- Perfect for use in hotels, clubs, shops, homes, ...
- Excellent built-in programs for wonderful, ever changing, light shows.
- Completely silent operation, thanks to natural convection cooling system.
- Alphanumeric OLED-display and waterproof touch keys to select different options of the setup menu.
- Works in standalone, master/slave or can be selected by DMX: fading colors, static colors / chases
- Both models can be daisy chained and used together in master/slave mode.
- Full DMX control with different channel modes: from 3ch up to 10ch (2 sections) or 20ch (4 sections)
- Adaptable lamp behavior thanks to seamless dimmer speed control.
- Four dimmer curves: linear, square, inverse square, S-curve
- In case of DMX failure, you can choose between blackout and freeze mode.
- Lock function to avoid unwanted altering of the settings.
- Special waterproof DMX in/outputs with adapter cables to XLR for maximum compatibility
- Equipped with a special GORE® vent to prevent moisture and condensation inside the projector.
- Optional cables available for easy, waterproof daisy chaining (LDP-Powercable & Signal link cable)

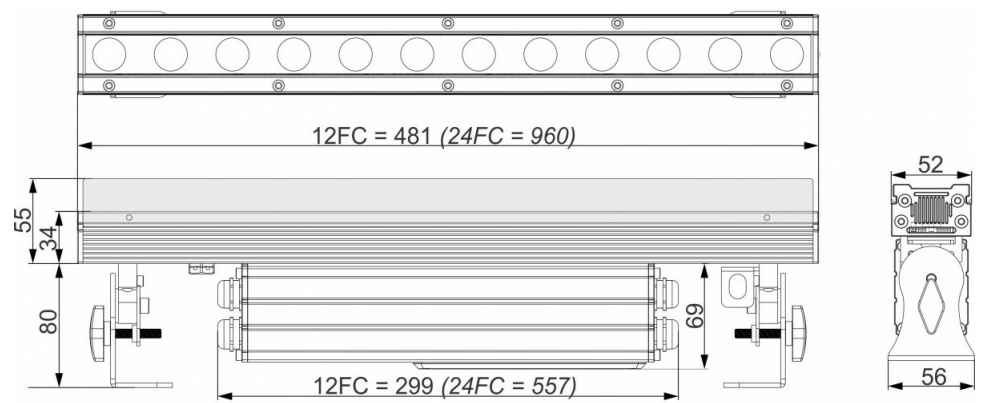


www.briteq-lighting.com | <https://www.facebook.com/Briteq>

Beglec NV has the right to change products and specifications with and without notice. Major as well as minor changes can be involved. This leaflet can contain errors, therefore we advice to consult your local dealer to ensure that actual features and specifications match your requirements. Copyright © 2018 by BEGLEC NV. All rights reserved.

SPECIFICATIONS

General : Application	Architectural, DJ & Club, Stage & Rental
General : Dimensions (cm)	46 x 5.6 x 11.4/13.5
General : Weight (kg)	3.4
General : Powerinput	AC 100 - 240V, 50/60Hz
General : Energy Label	No
General : Power consumption W	56
General : Color	white
General : Display	OLED
General : Fixation	M10
General : IP rating	outdoor
Control : manual	Yes
Control : Master/Slave	Yes
Control : SMART-DMX	Yes
Control : Standalone	automatic, fixed
Control : programmable	No
Control : upgradable software	Yes
Control : maximum DMX channels	10
Light : lamp socket	none
Light : lamp	LED
Light : colors	Red, Green, Blue, White, RGB, RGBW
Light : mix colors	Yes
Light : iris	No
Light : frost filter	No
Light : min. beam angle (°)	15
Light : max. beam angle (°)	15
Light : min. refresh rate (kHz)	3.6
Light : max. refresh rate (kHz)	3.6
Connections : input	3 pin XLR, ip-powerlink connector
Connections : output	3 pin XLR, ip-powerlink connector
Brand	BRITEQ
EANCode	5420025651455
Discontinued	No



www.briteq-lighting.com | <https://www.facebook.com/Briteq>

Beglec NV has the right to change products and specifications with and without notice. Major as well as minor changes can be involved. This leaflet can contain errors, therefore we advice to consult your local dealer to ensure that actual features and specifications match your requirements. Copyright © 2018 by BEGLEC NV. All rights reserved.