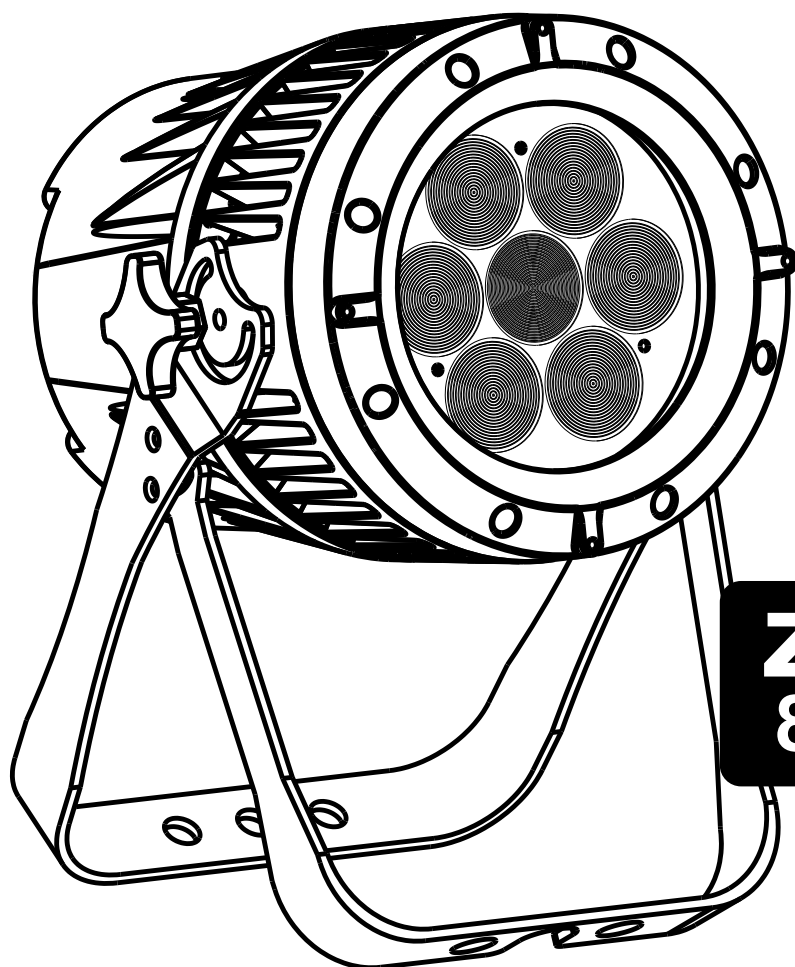


# ***PRO BEAMER***

---

## ***ZOOM MK5 - RENTAL***



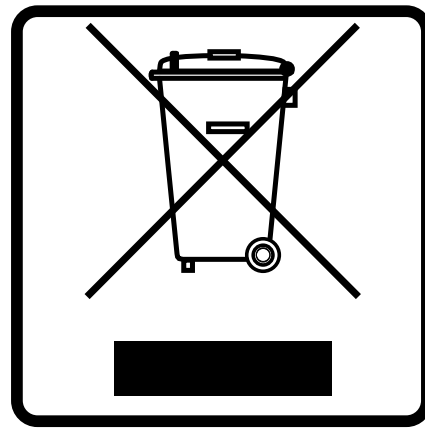
**ZOOM**  
**8° ~ 40°**

# **Operation Manual**

**CE**

*Version: 1.0*

**BriteQ**<sup>®</sup>  
LIGHT RESEARCH



### **EN - DISPOSAL OF THE DEVICE**

Dispose of the unit and used batteries in an environment friendly manner according to your country regulations.

### **FR - DÉCLASSER L'APPAREIL**

Débarrassez-vous de l'appareil et des piles usagées de manière écologique Conformément aux dispositions légales de votre pays.

### **NL - VERWIJDEREN VAN HET APPARAAT**

Verwijder het toestel en de gebruikte batterijen op een milieuvriendelijke manier conform de in uw land geldende voorschriften.

### **DU - ENTSORGUNG DES GERÄTS**

Entsorgen Sie das Gerät und die Batterien auf umweltfreundliche Art und Weise gemäß den Vorschriften Ihres Landes.

### **ES - DESHACERSE DEL APARATO**

Reciclar el aparato y pilas usadas de forma ecologica conforme a las disposiciones legales de su país.

### **PT - COMO DESFAZER-SE DA UNIDADE**

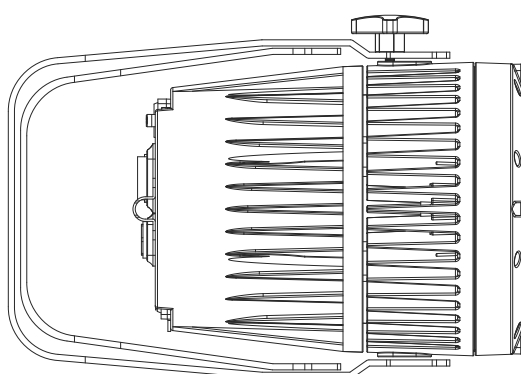
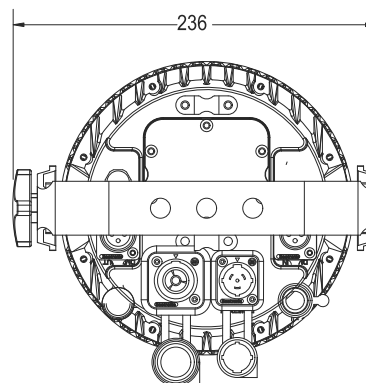
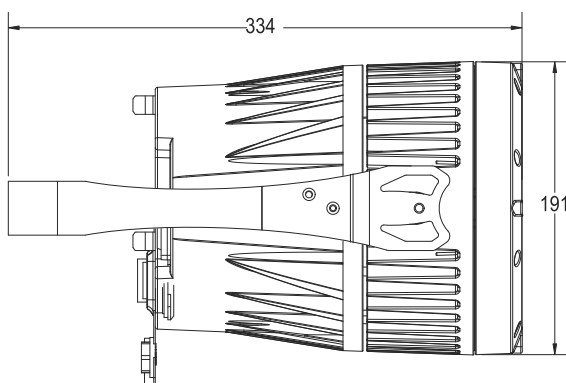
Tente reciclar a unidade e as pilhas usadas respeitando o ambiente e em conformidade com as normas vigentes no seu país.

# 1 PRODUCT (GENERAL)

## 1.1 TECHNICAL SPECIFICATIONS

### LED MODULE

| Type | Model      | Voltage               | Operation Temperature | Weight (KG) | Dimensions 2 (mm) | Power (W) | IP |
|------|------------|-----------------------|-----------------------|-------------|-------------------|-----------|----|
| I    | RGBW:20Wx7 | AC100~240V<br>50/60Hz | -20~45                | 6.6         | 334x191x236       | 128       | 65 |



## 1.2 SAFETY WARNING

### IMPORTANT:

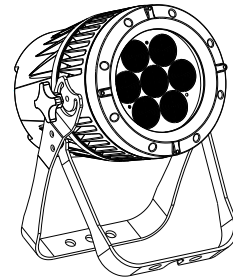
- This product must be installed by a qualified professional.
- All maintenance must be carried out by a qualified electrician.
- A minimum distance of 0.5m must be maintained between the equipment and a combustible surface.
- The product must always be operated in a well ventilated area.
- DO NOT stare directly into the LED light source.
- Always disconnect the power before carrying out any maintenance.
- The earth must always be connected to the ground.
- Ensure that all parts of the equipment are kept clean and free of dust.

# 2 INSTALLATION

## 2.1 MOUNTING

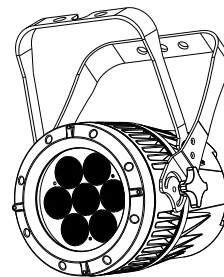
### HANGING

The fixture can be mounted in a hanging position using the supporting bracket. The bracket should be secured to the mounting truss or structure using a standard mounting clamp. Please note that when hanging the unit a safety cable should also be used.



### UPRIGHT

The fixture can be mounted in an upright or sitting position using the supporting brackets.



**NOTE**

The LED MODULE can be mounted at any angle and in any position. It is possible to further adjust the angle of the LED MODULE using the two adjustment knobs located on the side of the fixture.

## 2.2 POWER CONNECTIONS

@ 220V: 12 units may be connected in series

@110V: 6 units may be connected in series

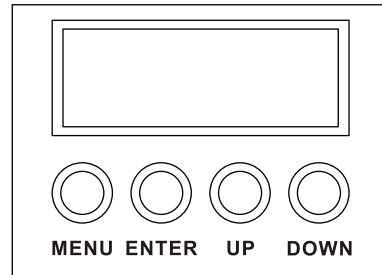
**Note:**

If the signal cable is over 60m between the DMX512 controller and fixture or between two fixtures, then a DMX signal amplifier is needed as well.

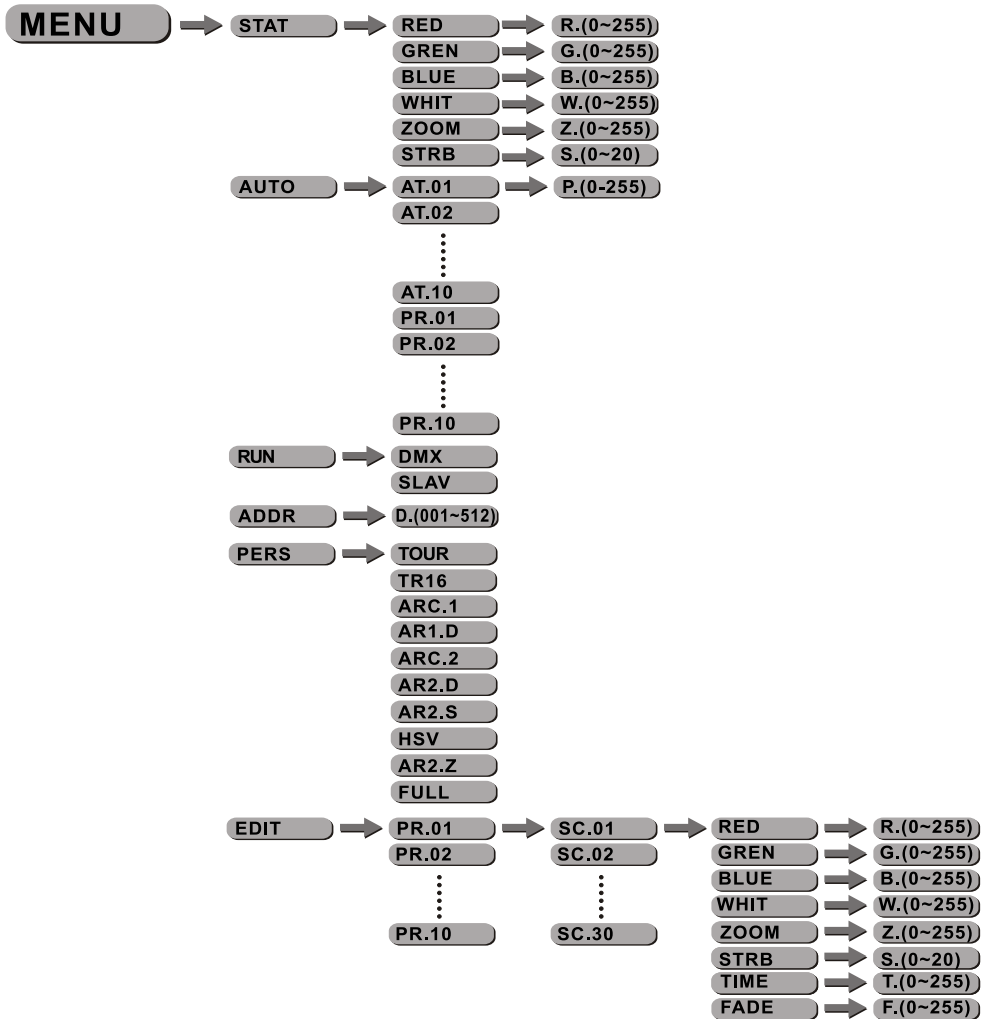
# 3 DISPLAY PANEL OPERATION

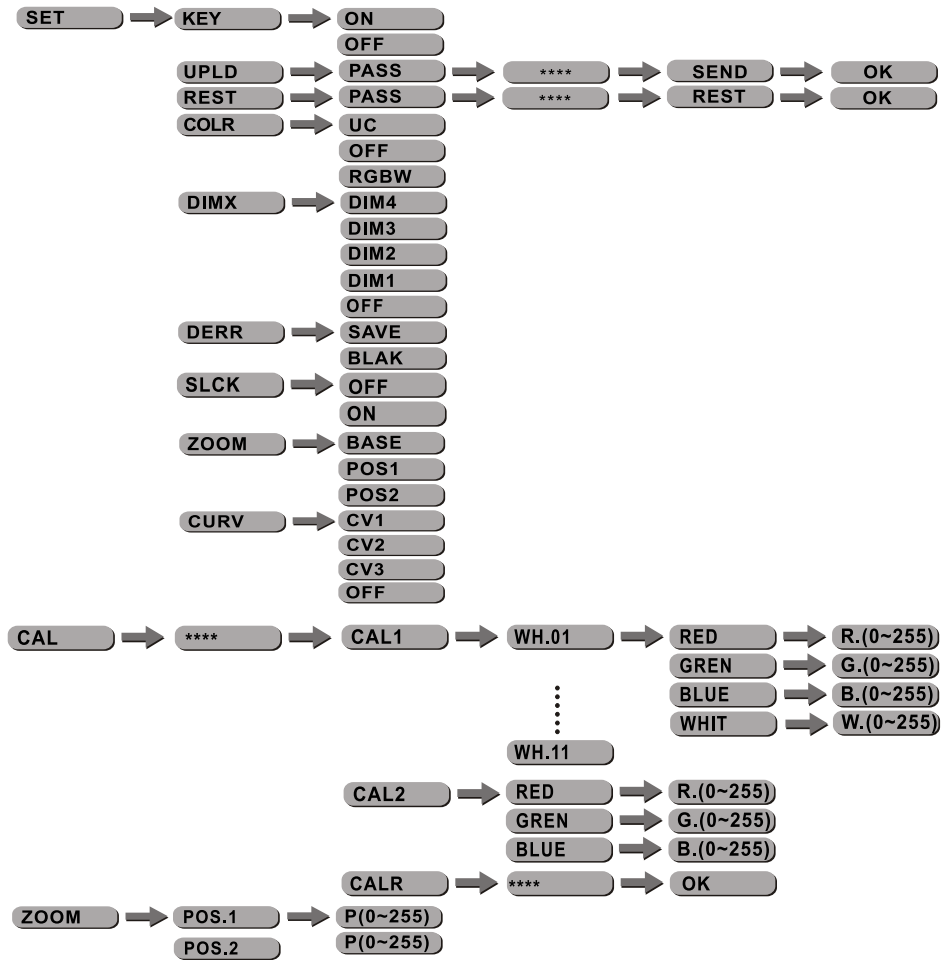
## 3.1 DISPLAY OPERATION

- ◆ MENU: BACK;
- ◆ ENTER: ENTER OR SAVE;
- ◆ DOWN: DOWN;
- ◆ UP: UP;

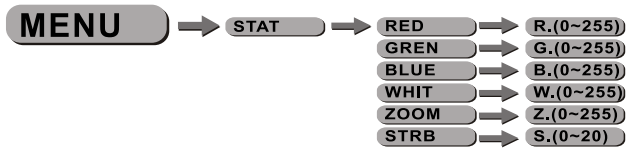


## 3.2 MENU MAP



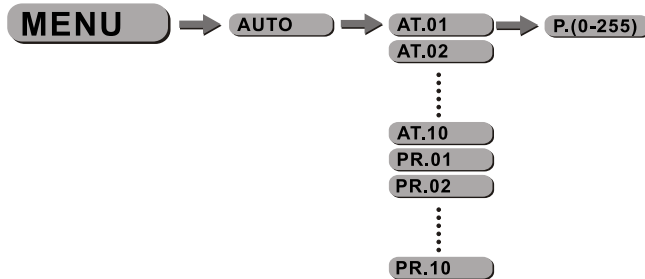


### 3.21 EDIT STATIC COLOUR



- Combine **Red** , **Green** , **Blue** , **White** and **Zoom** to create an infinite range of colors (0-255)
- Set the value of the **Strobe** (0-20Hz)

### 3.22 ACTIVATING AUTO PROGRAMS



- Select the target **AUTO** program and press **ENTER** .
- Programs **AT.01** to **AT.10** are fully pre-programmed and will not be altered by changes in **EDIT** mode.
- Programs **PR.01** to **PR.10** are fully pre-programmed and can be edited in **EDIT** mode.

### 3.23 RUN MODE



- Enter the **RUN** mode to set working mode.
- **DMX** mode is for using the DMX512 controller to control the fixtures.
- **SLAV** mode is for Master -- Slave operation.

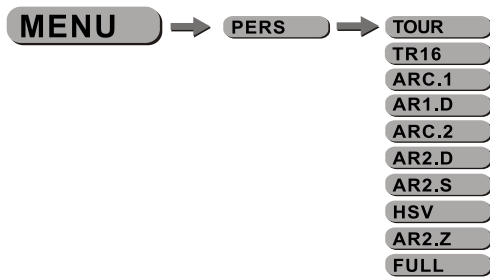
### 3.24 DMX512 SETTINGS



- Enter the **ADDR** mode to set the DMX ADDRESS.

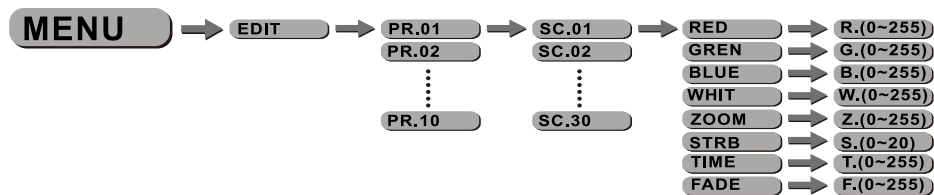


### 3.25 PERSONALITY



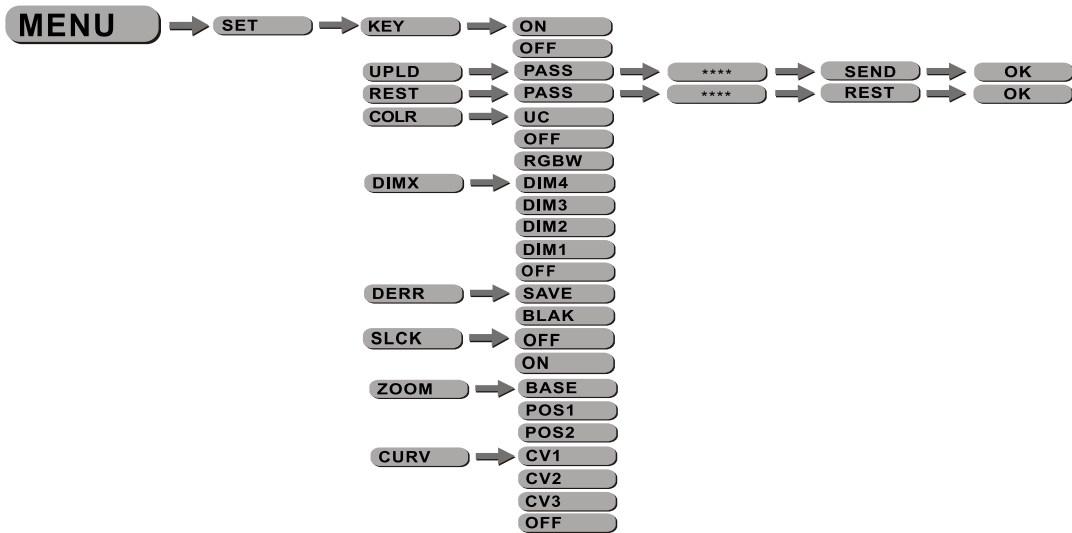
- Enter the **PERSONALITY** mode to select DMX mode: **TOUR** **TR16** , **ARC.1** , **AR1.D** , **ARC.2** **AR2.D** , **AR2.S** , **HSV** , **AR2.Z** , **FULL** .

### 3.26 EDITING CUSTOM PROGRAMS



- Enter the **EDIT** mode to edit the custom programs **PR.01** to **PR.10** .
- Each custom program has 30 steps that can be edited.
- Each step allows the creation of a scene using **RED** **Red** , **GREEN** **Green** , **BLUE** **Blue** , **WHITE** **White** , **STRB** **Strb** , **TIME** **Time** & **FADE** **Fade** .

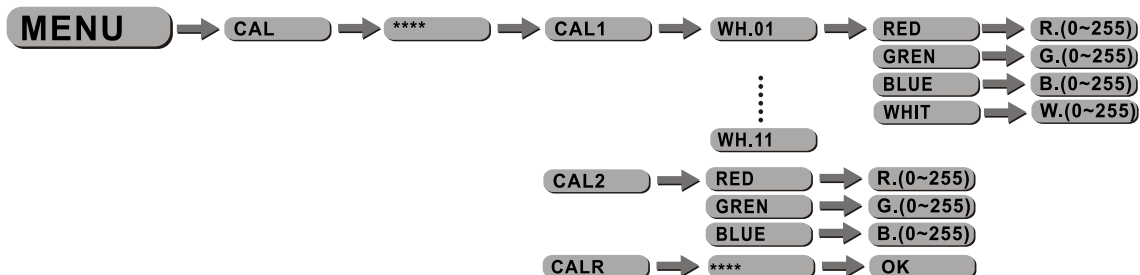
## 3.27 SPECIAL SETTINGS



- [SET]...this menu allows the user to adjust key operation settings for this fixture.
- [KEY]...select [ON] for automatic lock-out. Password to re-enter the display is <UP> + <DOWN> + <UP> + <DOWN>.
- Select [UPLD] to upload the custom programs from the current MASTER unit to the SLAVE units.
- In order to reset custom modes to default values select [REST].
- [COLR] is for activate/unactivate the color calibration functions. When [RGBW] is selected, on RGB = 255,255,255, the color is displayed as calibrated in CAL2 -- RGBW. When [COLR] is set [OFF], on RGB = 255,255,255, the RGB values are not adjusted and the output is most powerful. When [UC] is selected, the RGB output are adjusted to a standard preset universal color which balances fixtures from different generations.
- Select [DIM1], [DIM2], [DIM3] or [DIM4] for different dimming speeds. ([DIM4] is the slowest dimming speed)
- [DERR] Choose [Save] in order to save the last DMX data in case of DMX signal error.  
Choose [Black] in order to blackout in case of DMX signal error.
- [SLCK] is used to lock the settings menu. When [SLCK] is set to [ON] then user must insert passcode (UP+DOWN+UP+DOWN) in order to access the settings menu.
- [ZOOM] Calibrate the position of POS1&POS2. Set position as 0 for smallest zoom position, select BASE for default zoom position (zoom=0)
- [CURV] allows the user to adjust the shape of the dimming curve. See the CURV chart to understand more about actual dimming curves.

## 3.28 BALANCE PARAMETERS AND CORRECTION MENU DISPLAY

Press **【MENU】** button to enter the password confirmation, to enter the correct password < UP + DOWN + UP + DOWN >  
Key, press the **【MENU】** in, the correct password will enter show submenu



- Enter the **【CAL1】** to select white color of different color temperature.
- There are 11 pre-programmed White colors can be edited by using **【Red】** , **【Green】** , **【Blue】** & **【White】** .
- Enter the **【CAL2】** to adjust the RGB parameter to make different whites.
- When the new setting is activated, the DMX controller choose RGB = 255,255,255 the white color will be made by the actual RGB values on the **【CAL2】** .

## 3.29 ZOOM RANGE



- Select the **【ZOOM】** range. **【POS1】** & **【POS2】** set the small position for the zoom function. Note that when using DMX to control the fixture, the user will only be able to access up to the set ZOOM position. It is not possible to adjust beyond the set position.

# 4 USING A DMX512 CONTROLLER

## 4.1 CHANNEL ASSIGNMENT

- Note: This product have three DMX512 channel configuration: 【TOUR】 , 【TR16】 , 【ARC.1】 , 【AR1.D】 , 【ARC.2】 , 【AR2.D】 , 【AR2.S】 , 【HSV】 , 【AR2.Z】 and 【FULL】

### TOUR

| CHANNEL   | VALUE         | FUNCTION   |
|-----------|---------------|--|
| 1         | 0 ↔ 255       | MASTER DIMMER  |
| 2         | 0 ↔ 255       | RED<br>(or STEP TIME when CUS.01-CUS.10 in CH8 is activated)   |
| 3         | 0 ↔ 255       | GREEN<br>(or FADE TIME when CUS.01-CUS.10 in CH8 is activated) |
| 4         | 0 ↔ 255       | BLUE   |
| 5         | 0 ↔ 255       | WHITE  |
| 6         | 0 ↔ 10        | COLOR MACRO<br>NO FUNCTION                                     |
|           | 11 ↔ 30       | RED100%/GREEN UP/BLUE0%  |
|           | 31 ↔ 50       | RED DOWN/GREEN 100%/BLUE0%                                     |
|           | 51 ↔ 70       | RED 0%/GREEN 100%/BLUE UP                                      |
|           | 71 ↔ 90       | RED 0%/GREEN DOWN/BLUE 100%                                    |
|           | 91 ↔ 110      | RED UP/GREEN 0%/BLUE100%                                       |
|           | 111 ↔ 130     | RED100%/GREEN 0%/BLU EDOWN                                     |
|           | 131 ↔ 150     | RED100%/GREEN UP/BLUE UP                                       |
|           | 151 ↔ 170     | RED DOWN/GREEN DOWN/BLUE 100%                                  |
|           | 171 ↔ 200     | RED100%/GREEN 100%P/BLUE100%/WHITE 100%                        |
|           | 201 ↔ 205     | WHITE1: 3200K  |
|           | 206 ↔ 210     | WHITE2: 3400K  |
|           | 211 ↔ 215     | WHITE3: 4200K  |
|           | 216 ↔ 220     | WHITE4: 4900K  |
|           | 221 ↔ 225     | WHITE5: 5600K  |
| 226 ↔ 230 | WHITE6: 5900K |  |

| CHANNEL   | VALUE                         | FUNCTION  |
|-----------|-------------------------------|---|
| 6         | 231 ↔ 235                     | WHITE 7: 6500K  |
|           | 236 ↔ 240                     | WHITE 8: 7200K  |
|           | 241 ↔ 245                     | WHITE 9: 8000K  |
|           | 246 ↔ 250                     | WHITE 10: 8500K   |
|           | 251 ↔ 255                     | WHITE 11: 10000K  |
| 7         |                               | <b>STROBE</b>   |
|           | 0 ↔ 9                         | NO FUNCTION   |
|           | 10 ↔ 255                      | 1~20Hz  |
| 8         |                               | <b>AUTO</b>   |
|           | 0 ↔ 40                        | NO FUNCTION   |
|           | 41 ↔ 50                       | AUTO 1  |
|           | 51 ↔ 60                       | AUTO 2  |
|           | 61 ↔ 70                       | AUTO 3  |
|           | 71 ↔ 80                       | AUTO 4  |
|           | 81 ↔ 90                       | AUTO 5  |
|           | 91 ↔ 100                      | AUTO 6  |
|           | 101 ↔ 110                     | AUTO 7  |
|           | 111 ↔ 120                     | AUTO 8  |
|           | 121 ↔ 130                     | AUTO 9  |
|           | 131 ↔ 140                     | AUTO 10   |
|           | 141 ↔ 150                     | PR.01   |
|           | 151 ↔ 160                     | PR.02   |
|           | 161 ↔ 170                     | PR.03   |
|           | 171 ↔ 180                     | PR.04   |
|           | 181 ↔ 190                     | PR.05   |
| 191 ↔ 200 | PR.06                         |   |
| 201 ↔ 210 | PR.07                         |   |
| 211 ↔ 220 | PR.08                         |   |
| 221 ↔ 230 | PR.09                         |   |
| 231 ↔ 255 | PR.10                         |   |
| 9         | 0 ↔ 255                       | <b>AUTO SPEED ADJUSTMENT</b><br>When using CH8,AUTO01-AUTO10, this function activated |
| 10        |                               | <b>DIMMER SPEED</b>   |
|           | 0 ↔ 9                         | PRESET DIMMER SPEED FROM DISPLAY MENU   |
|           | 10 ↔ 29                       | LINEAR DIMMER   |
|           | 30 ↔ 69                       | NON LINEAR DIMMER 1 (fastest)   |
|           | 70 ↔ 129                      | NON LINEAR DIMMER 2   |
|           | 130 ↔ 189                     | NON LINEAR DIMMER 3   |
| 190 ↔ 255 | NON LINEAR DIMMER 4 (slowest) |   |
| 11        | 0 ↔ 255                       | ZOOM  |
| 12        | 000 ↔ 200                     | NO FUNCTION   |
|           | 201 ↔ 220                     | ZOOM RESET  |
|           | 221 ↔ 255                     | NO FUNCTION   |

## TR16

| CHANNEL   | VALUE            | FUNCTION                               |
|-----------|------------------|--|
| 1         | 0 ↔ 255          | MASTER DIMMER                          |
| 2         | 0 ↔ 255          | MASTER DIMMER FINE                     |
| 3         | 0 ↔ 255          | RED                                    |
| 4         | 0 ↔ 255          | RED FINE                               |
| 5         | 0 ↔ 255          | GREEN                                  |
| 6         | 0 ↔ 255          | GREEN FINE                             |
| 7         | 0 ↔ 255          | BLUE                                   |
| 8         | 0 ↔ 255          | BLUE FINE                              |
| 9         | 0 ↔ 255          | WHITE                                  |
| 10        | 0 ↔ 255          | WHITE FINE                             |
| 11        | 0 ↔ 10           | COLOR MACRO<br>NO FUNCTION             |
|           | 11 ↔ 30          | RED100%/GREEN UP/BLUE0%                |
|           | 31 ↔ 50          | RED DOWN/GREEN 100%/BLUE0%             |
|           | 51 ↔ 70          | RED 0%/GREEN 100%/BLUE UP              |
|           | 71 ↔ 90          | RED 0%/GREEN DOWN/BLUE 100%            |
|           | 91 ↔ 110         | RED UP/GREEN 0%/BLUE100%               |
|           | 111 ↔ 130        | RED100%/GREEN 0%/BLUE DOWN             |
|           | 131 ↔ 150        | RED100%/GREEN UP/BLUE UP               |
|           | 151 ↔ 170        | RED DOWN/GREEN DOWN/BLUE 100%          |
|           | 171 ↔ 200        | RED100%/GREEN 100%/BLUE100%/WHITE 100% |
|           | 201 ↔ 205        | WHITE1: 3200K                          |
|           | 206 ↔ 210        | WHITE2: 3400K                          |
|           | 211 ↔ 215        | WHITE3: 4200K                          |
|           | 216 ↔ 220        | WHITE4: 4900K                          |
|           | 221 ↔ 225        | WHITE5: 5600K                          |
|           | 226 ↔ 230        | WHITE6: 5900K                          |
|           | 231 ↔ 235        | WHITE 7: 6500K                         |
| 236 ↔ 240 | WHITE 8: 7200K   |  |
| 241 ↔ 245 | WHITE 9: 8000K   |  |
| 246 ↔ 250 | WHITE 10: 8500K  |  |
| 251 ↔ 255 | WHITE 11: 10000K |  |

| CHANNEL   | VALUE     | FUNCTION   |
|-----------|-----------|--|
| 12        | 0 ↔ 9     | <b>STROBE</b><br>NO FUNCTION   |
|           | 10 ↔ 255  | 1~20Hz   |
| 13        | 0 ↔ 40    | <b>AUTO</b><br>NO FUNCTION   |
|           | 41 ↔ 50   | AUTO 1   |
|           | 51 ↔ 60   | AUTO 2   |
|           | 61 ↔ 70   | AUTO 3   |
|           | 71 ↔ 80   | AUTO 4   |
|           | 81 ↔ 90   | AUTO 5   |
|           | 91 ↔ 100  | AUTO 6   |
|           | 101 ↔ 110 | AUTO 7   |
|           | 111 ↔ 120 | AUTO 8   |
|           | 121 ↔ 130 | AUTO 9   |
|           | 131 ↔ 140 | AUTO 10  |
|           | 141 ↔ 150 | PR.01  |
|           | 151 ↔ 160 | PR.02  |
|           | 161 ↔ 170 | PR.03  |
|           | 171 ↔ 180 | PR.04  |
|           | 181 ↔ 190 | PR.05  |
|           | 191 ↔ 200 | PR.06  |
| 201 ↔ 210 | PR.07     |  |
| 211 ↔ 220 | PR.08     |  |
| 221 ↔ 230 | PR.09     |  |
| 231 ↔ 255 | PR.10     |  |
| 14        | 0 ↔ 255   | <b>AUTO SPEED ADJUSTMENT</b><br>When using CH13,AUTO01-AUTO10, this function activated |
| 15        | 0 ↔ 9     | <b>DIMMER SPEED</b><br>PRESET DIMMER SPEED FROM DISPLAY MENU                           |
|           | 10 ↔ 29   | LINEAR DIMMER  |
|           | 30 ↔ 69   | NON LINEAR DIMMER 1 (fastest)  |
|           | 70 ↔ 129  | NON LINEAR DIMMER 2  |
|           | 130 ↔ 189 | NON LINEAR DIMMER 3  |
|           | 190 ↔ 255 | NON LINEAR DIMMER 4 (slowest)  |
| 16        | 0 ↔ 255   | ZOOM   |
| 17        | 000 ↔ 200 | NO FUNCTION  |
|           | 201 ↔ 220 | ZOOM RESET   |
|           | 221 ↔ 255 | NO FUNCTION  |

### **ARC.1**

| CHANNEL | VALUE   | FUNCTION |
|---------|---------|----------|
| 1       | 0 ↔ 255 | RED      |
| 2       | 0 ↔ 255 | GREEN    |
| 3       | 0 ↔ 255 | BLUE     |
|         |         |          |

### **AR1.D**

| CHANNEL | VALUE   | FUNCTION      |
|---------|---------|---------------|
| 1       | 0 ↔ 255 | MASTER DIMMER |
| 2       | 0 ↔ 255 | RED           |
| 3       | 0 ↔ 255 | GREEN         |
| 4       | 0 ↔ 255 | BLUE          |

### **ARC.2**

| CHANNEL | VALUE   | FUNCTION |
|---------|---------|----------|
| 1       | 0 ↔ 255 | RED      |
| 2       | 0 ↔ 255 | GREEN    |
| 3       | 0 ↔ 255 | BLUE     |
| 4       | 0 ↔ 255 | WHITE    |



## **AR2.D**

| CHANNEL | VALUE   | FUNCTION      |
|---------|---------|---------------|
| 1       | 0 ↔ 255 | MASTER DIMMER |
| 2       | 0 ↔ 255 | RED           |
| 3       | 0 ↔ 255 | GREEN         |
| 4       | 0 ↔ 255 | BLUE          |
| 5       | 0 ↔ 255 | WHITE         |

## **AR2.S**

| CHANNEL | VALUE   | FUNCTION      |
|---------|---------|---------------|
| 1       | 0 ↔ 255 | MASTER DIMMER |
| 2       | 0 ↔ 255 | RED           |
| 3       | 0 ↔ 255 | GREEN         |
| 4       | 0 ↔ 255 | BLUE          |
| 5       | 0 ↔ 255 | WHITE         |
| 6       | 0 ↔ 255 | STROBE        |
|         |         |               |

## **HSV**

| CHANNEL | VALUE   | FUNCTION           |
|---------|---------|--------------------|
| 1       | 0 ↔ 255 | HUE(0~100%)        |
| 2       | 0 ↔ 255 | SATURATION(0~100%) |
| 3       | 0 ↔ 255 | VALUE(0~100%)      |
|         |         |                    |

## **AR2.Z**

| <b>CHANNEL</b> | <b>VALUE</b>                        | <b>FUNCTION</b>   |
|----------------|-------------------------------------|---|
| <b>1</b>       | 0 ↔ 255                             | <b>MASTER DIMMER</b>  |
| <b>2</b>       | 0 ↔ 255                             | <b>RED</b>  |
| <b>3</b>       | 0 ↔ 255                             | <b>GREEN</b>  |
| <b>4</b>       | 0 ↔ 255                             | <b>BLUE</b>   |
| <b>5</b>       | 0 ↔ 255                             | <b>WHITE</b>  |
| <b>6</b>       | 0 ↔ 255                             | <b>ZOOM</b>   |
| <b>7</b>       | 000 ↔ 200<br>201 ↔ 220<br>221 ↔ 255 | <b>NO FUNCTION</b><br><b>ZOOM RESET</b><br><b>NO FUNCTION</b> |

## **FULL**

| CHANNEL   | VALUE         | FUNCTION                               |
|-----------|---------------|--|
| 1         | 0 ↔ 255       | MASTER DIMMER                          |
| 2         | 0 ↔ 255       | MASTER DIMMER FINE                     |
| 3         | 0 ↔ 255       | RED1                                   |
| 4         | 0 ↔ 255       | RED FINE1                              |
| 5         | 0 ↔ 255       | GREEN1                                 |
| 6         | 0 ↔ 255       | GREEN FINE1                            |
| 7         | 0 ↔ 255       | BLUE1                                  |
| 8         | 0 ↔ 255       | BLUE FINE1                             |
| 9         | 0 ↔ 255       | WHITE1                                 |
| 10        | 0 ↔ 255       | WHITE FINE1                            |
| 11        | 0 ↔ 255       | RED2                                   |
| 12        | 0 ↔ 255       | RED FINE2                              |
| 13        | 0 ↔ 255       | GREEN2                                 |
| 14        | 0 ↔ 255       | GREEN FINE2                            |
| 15        | 0 ↔ 255       | BLUE2                                  |
| 16        | 0 ↔ 255       | BLUE FINE2                             |
| 17        | 0 ↔ 255       | WHITE2                                 |
| 18        | 0 ↔ 255       | WHITE FINE2                            |
| 19        | 0 ↔ 10        | NO FUNCTION                            |
|           | 11 ↔ 30       | RED100%/GREEN UP/BLUE0%                |
|           | 31 ↔ 50       | RED DOWN/GREEN 100%/BLUE0%             |
|           | 51 ↔ 70       | RED 0%/GREEN 100%/BLUE UP              |
|           | 71 ↔ 90       | RED 0%/GREEN DOWN/BLUE 100%            |
|           | 91 ↔ 110      | RED UP/GREEN 0%/BLUE100%               |
|           | 111 ↔ 130     | RED100%/GREEN 0%/BLUE DOWN             |
|           | 131 ↔ 150     | RED100%/GREEN UP/BLUE UP               |
|           | 151 ↔ 170     | RED DOWN/GREEN DOWN/BLUE 100%          |
|           | 171 ↔ 200     | RED100%/GREEN 100%/BLUE100%/WHITE 100% |
|           | 201 ↔ 205     | WHITE1: 3200K                          |
| 206 ↔ 210 | WHITE2: 3400K |  |

| CHANNEL   | VALUE     | FUNCTION   |
|-----------|-----------|--|
| 19        | 211 ↔ 215 | WHITE3: 4200K  |
|           | 216 ↔ 220 | WHITE4: 4900K  |
|           | 221 ↔ 225 | WHITE5: 5600K  |
|           | 226 ↔ 230 | WHITE6: 5900K  |
|           | 231 ↔ 235 | WHITE7: 6500K  |
|           | 236 ↔ 240 | WHITE8: 7200K  |
|           | 241 ↔ 245 | WHITE9: 8000K  |
|           | 246 ↔ 250 | WHITE10: 8500K   |
|           | 251 ↔ 255 | WHITE11: 10000K  |
| 20        | 0 ↔ 9     | <b>STROBE</b><br>NO FUNCTION   |
|           | 10 ↔ 255  | 1~20Hz   |
|           |           | <b>AUTO</b><br>NO FUNCTION   |
| 21        | 0 ↔ 40    | NO FUNCTION  |
|           | 41 ↔ 50   | AUTO 1   |
|           | 51 ↔ 60   | AUTO 2   |
|           | 61 ↔ 70   | AUTO 3   |
|           | 71 ↔ 80   | AUTO 4   |
|           | 81 ↔ 90   | AUTO 5   |
|           | 91 ↔ 100  | AUTO 6   |
|           | 101 ↔ 110 | AUTO 7   |
|           | 111 ↔ 120 | AUTO 8   |
|           | 121 ↔ 130 | AUTO 9   |
|           | 131 ↔ 140 | AUTO 10  |
|           | 141 ↔ 150 | PR.01  |
|           | 151 ↔ 160 | PR.02  |
|           | 161 ↔ 170 | PR.03  |
|           | 171 ↔ 180 | PR.04  |
|           | 181 ↔ 190 | PR.05  |
|           | 191 ↔ 200 | PR.06  |
| 201 ↔ 210 | PR.07     |  |
| 211 ↔ 220 | PR.08     |  |
| 221 ↔ 230 | PR.09     |  |
| 231 ↔ 255 | PR.10     |  |
| 22        | 0 ↔ 255   | <b>AUTO SPEED ADJUSTMENT</b><br>When using CH13,AUTO01-AUTO10, this function activated |
| 23        |           | <b>DIMMER SPEED</b>  |
|           | 0 ↔ 9     | PRESET DIMMER SPEED FROM DISPLAY MENU  |
|           | 10 ↔ 29   | LINEAR DIMMER  |
|           | 30 ↔ 69   | NON LINEAR DIMMER 1 (fastest)  |
|           | 70 ↔ 129  | NON LINEAR DIMMER 2  |
|           | 130 ↔ 189 | NON LINEAR DIMMER 3  |
|           | 190 ↔ 255 | NON LINEAR DIMMER 4 (slowest)  |
| 24        | 0 ↔ 255   | ZOOM   |
| 25        | 000 ↔ 200 | NO FUNCTION  |
|           | 201 ↔ 220 | ZOOM RESET   |
|           | 221 ↔ 255 | NO FUNCTION  |









## MAILING LIST

**EN: Subscribe today to our mailing list for the latest product news!**

**FR: Inscrivez-vous à notre liste de distribution si vous souhaitez suivre l'actualité de nos produits!**

**NL: Abonneer je vandaag nog op onze mailinglijst en ontvang ons laatste product nieuws!**

**DE: Abonnieren Sie unseren Newsletter und erhalten Sie aktuelle Produktinformationen!**

**ES: Suscríbete hoy a nuestra lista de correo para recibir las últimas noticias!**

**PT: Inscreva-se hoje na nossa mailing list para estar a par das últimas notícias!**

**[WWW.BRITEQ-LIGHTING.COM](http://WWW.BRITEQ-LIGHTING.COM)**

**Copyright © 2021 by BEGLEC NV**

't Hofveld 2C ~ B1702 Groot-Bijgaarden ~ Belgium

Reproduction or publication of the content in any manner, without express permission of the publisher, is prohibited.