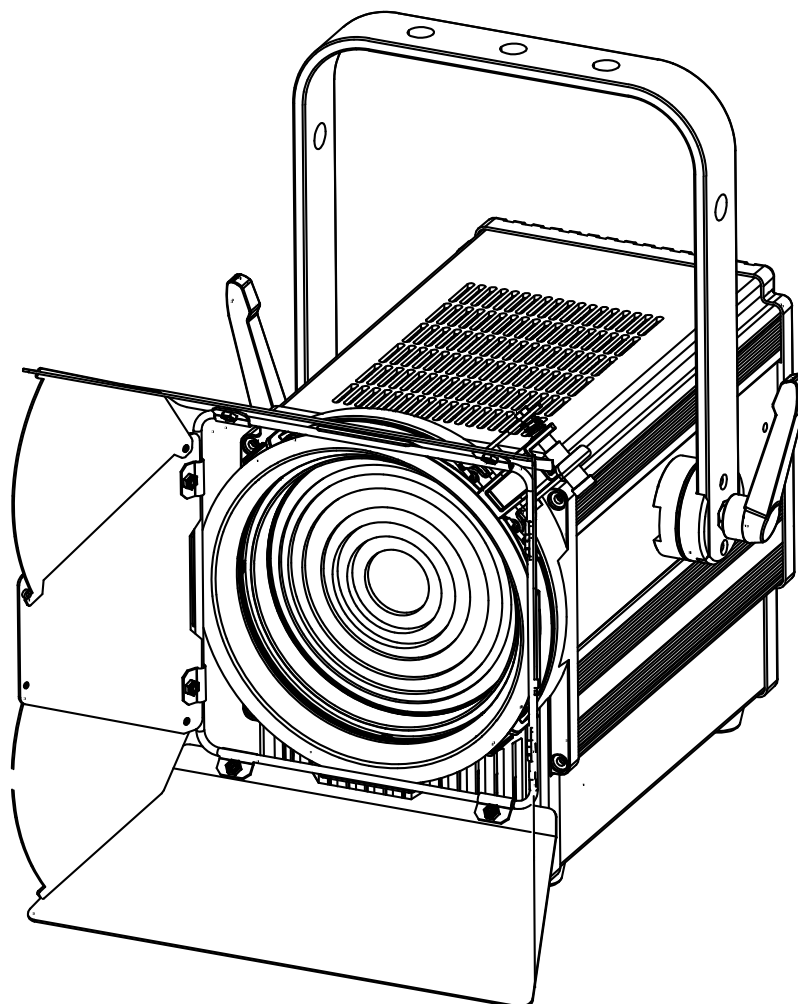


BT-THEATRE 200TW ***Tunable White***



ENGLISH **Operation Manual**

Other languages can be downloaded from:
WWW.BRITEQ-LIGHTING.COM



Version: 1.0





EN - DISPOSAL OF THE DEVICE

Dispose of the unit and used batteries in an environment friendly manner according to your country regulations.

FR - DÉCLASSER L'APPAREIL

Débarrassez-vous de l'appareil et des piles usagées de manière écologique Conformément aux dispositions légales de votre pays.

NL - VERWIJDEREN VAN HET APPARAAT

Verwijder het toestel en de gebruikte batterijen op een milieuvriendelijke manier conform de in uw land geldende voorschriften.

DU - ENTSORGUNG DES GERÄTS

Entsorgen Sie das Gerät und die Batterien auf umweltfreundliche Art und Weise gemäß den Vorschriften Ihres Landes.

ES - DESHACERSE DEL APARATO

Reciclar el aparato y pilas usadas de forma ecologica conforme a las disposiciones legales de su país.

PT - COMO DESFAZER-SE DA UNIDADE

Tente reciclar a unidade e as pilhas usadas respeitando o ambiente e em conformidade com as normas vigentes no seu país.

OPERATION MANUAL

Thank you for buying this Briteq® product. To take full advantage of all possibilities and for your own safety, please read these operating instructions very carefully before you start using this unit.

FEATURES

- Powerful 200W LED theater Fresnel with adjustable CCT.
- Dual LED (100W 2800K + 100W 6000K) for tunable white with CCT ranging from 2800K to 6000K !
- The perfect all-round projector for TV-work, theatre, rental, exhibition booths!
- Exceptional photometric / price performance: CRI/Ra > 96, TLCI > 98, CQS > 96, Rf > 94, Rg > 100 (@3000K)
- Manual beam angle adjustment: 12° ~ 56° (field angle: 20° ~ 67°)
- Manual CCT presets while used in standalone: 2800K, 3000K, 3200K, 4000K, 4300K, 5600K, 6000K
- Color frame for use of color filters and eight-leaf barndoor included
- No more heavy and expensive dimmer packs needed!
- Very silent operation: temperature controlled, low noise cooling fan.
- LCD-display to navigate easily through the setup menu!
- Manual or DMX-controlled: 5 different channel modes (8bit & 16bit dimming) for maximum flexibility.
- Can be used 1 channel DMX mode, with CCT-preset of your choice.
- Prepared for wireless DMX: just plug-in an optional WTR-DMX DONGLE ! (Briteq® code: 4645)
- Flicker free TV-recordings thanks to adjustable LED refresh rate: 600 Hz to 4800 Hz!
- Manual dimming & zoom/focus control: easy projector alignment on the stage + use on exhibition booths.
- Selectable lamp behavior: halogen lamp (slow) or led (fast)
- Four dimmer curves: linear, square, inverse square, S-curve
- In case of DMX failure, you can choose between manual, blackout and freeze mode.
- RDM-functionality for easy remote setup & monitoring: DMX addressing, channel mode, temperature, ...
- Lock function to avoid unwanted altering of the settings.
- Default factory settings + user settings can be saved/loaded.
- 3 & 5pin DMX in/outputs + PowerCON® compatible in/outputs for easy daisy chaining.

BEFORE USE

- Before you start using this unit, please check if there's no transportation damage. Should there be any, do not use the device and consult your dealer first.
- **Important:** This device left our factory in perfect condition and well packaged. It is absolutely necessary for the user to strictly follow the safety instructions and warnings in this user manual. Any damage caused by mishandling is not subject to warranty. The dealer will not accept responsibility for any resulting defects or problems caused by disregarding this user manual.
- Keep this booklet in a safe place for future consultation. If you sell the fixture, be sure to add this user manual.

Check the contents:

Check that the carton contains the following items:

- English operating instructions, other languages can be downloaded from our website.
- BT-THEATRE 200TW
- Eight-leaf barndoor
- Color frame
- PowerCON® compatible mains cable

SAFETY INSTRUCTIONS:



CAUTION
RISK OF ELECTRIC SHOCK
DO NOT OPEN



CAUTION: To reduce the risk of electric shock, do not remove the top cover. No user-serviceable parts inside. Refer servicing to qualified service personnel only.



The lightning flash with arrowhead symbol within the equilateral triangle is intended to alert the user to the presence of un-insulated "dangerous voltage" within the product's enclosure that may be of sufficient magnitude to constitute a risk of electric shock.



The exclamation point within the equilateral triangle is intended to alert the user to the presence of important operation and maintenance (servicing) instructions in the literature accompanying this appliance.



This symbol means: indoor use only



This symbol means: Read instructions



This symbol determines: the minimum distance from lighted objects. The minimum distance between light-output and the illuminated surface must be more than 1 meters

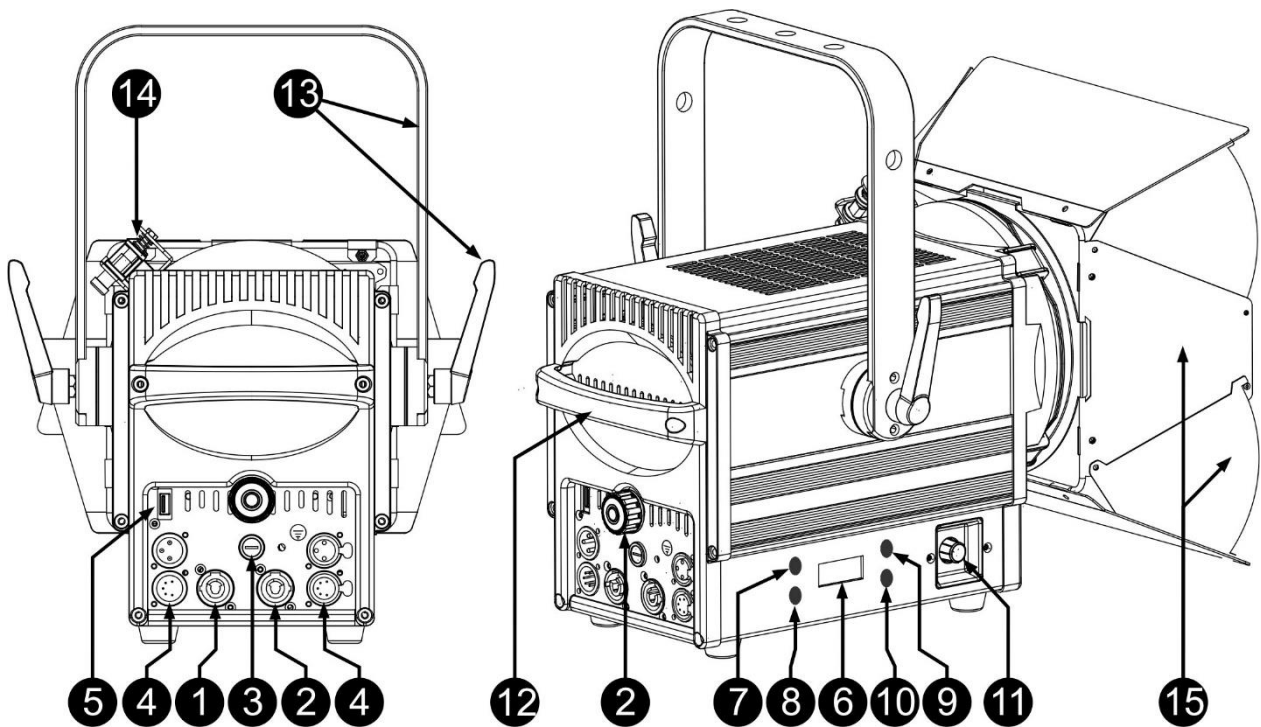
RISK GROUP 2
CAUTION:
Do not stare at operating lamp

CAUTION: Do not stare at operating lamp.
May be harmful to the eyes.

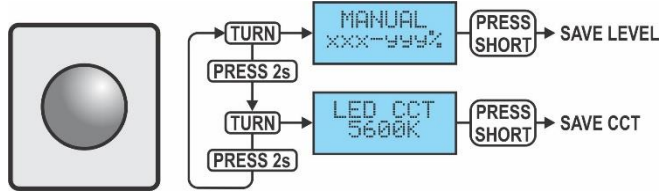
- To protect the environment, please try to recycle the packing material as much as possible.
- To prevent fire or shock hazard, do not expose this appliance to rain or moisture.
- To avoid condensation to be formed inside, allow the unit to adapt to the surrounding temperatures when bringing it into a warm room after transport. Condense sometimes prevents the unit from working at full performance or may even cause damages.
- This unit is for indoor use only.
- Don't place metal objects or spill liquid inside the unit. Electric shock or malfunction may result. If a foreign object enters the unit, immediately disconnect the mains power.
- Locate the fixture in a well ventilated spot, away from any flammable materials and/or liquids. The fixture must be fixed at least 50cm from surrounding walls.
- Don't cover any ventilation openings as this may result in overheating.
- Prevent use in dusty environments and clean the unit regularly.
- Keep the unit away from children.
- Inexperienced persons should not operate this device.
- Maximum safe ambient temperature is 40°C. Don't use this unit at higher ambient temperatures.
- Make sure the area below the installation place is free from unwanted persons during rigging, de-rigging and servicing.
- Allow the device about 10 minutes to cool down before to start servicing.
- Always unplug the unit when it is not used for a longer time or before to start servicing.
- The electrical installation should be carried out by qualified personal only, according to the regulations for electrical and mechanical safety in your country.
- Check that the available voltage is not higher than the one stated on the unit.
- The power cord should always be in perfect condition. Switch the unit immediately off when the power cord is squashed or damaged. It must be replaced by the manufacturer, its service agent or similarly qualified persons in order to avoid a hazard.
- Never let the power-cord come into contact with other cables!
- This fixture must be earthed in order to comply with safety regulations.
- Don't connect the unit to any dimmer pack.
- Always use an appropriate and certified safety cable when installing the unit.
- In order to prevent electric shock, do not open the cover. Apart from the mains fuse there are no user serviceable parts inside.
- **Never** repair a fuse or bypass the fuse holder. **Always** replace a damaged fuse with a fuse of the same type and electrical specifications!
- In the event of serious operating problems, stop using the fixture and contact your dealer immediately.
- The housing and the lenses must be replaced if they are visibly damaged.
- Please use the original packing when the device is to be transported.
- Due to safety reasons it is prohibited to make unauthorized modifications to the unit.

Important: Never look directly into the light source! Don't use the effect in the presence of persons suffering from epilepsy.

DESCRIPTION:



1. **MAINS INPUT:** equipped with PowerCON® compatible connectors. Connect the supplied mains cable or any PowerCon® extension cable here.
2. **MAINS OUTPUT:** used to daisy chain the power to several other projectors. Always pay attention to the maximum load while adding projectors! Special Multi cables (PowerCON® + DMX XLR-cables are optionally available: see our website!)
3. **MAINS FUSE:** protects the unit in case of electrical problems, always use the prescribed fuse!
4. **DMX IN/OUT:** both 3pin and 5pin in/outputs are available to daisy chain the projector with other units that will be controlled by a DMX-controller.
5. **M-DMX INPUT:** Please note that this USB-connector is NOT used for updates or to connect the unit to a PC! Instead this USB-connector makes it very easy to add wireless DMX to the unit! Just add the (optional) WTR-DMX DONGLE from BRITEQ® and you will get wireless DMX! Moreover, you will be able to connect other DMX-controlled equipment to the DMX-output so you can share the wireless DMX function with all connected units! No extra settings to be made in the setup menu, just follow the procedure in the user manual supplied with the WTR-DMX DONGLE from BRITEQ®. The separate WTR-DMX DONGLE is available from WWW.BRITEQ-LIGHTING.COM (order code: 4645)
6. **DISPLAY:** shows the various menus and the selected functions.
7. **MENU-button:** used to enter and exit the setup menu or to jump to a higher level in the setup menu.
8. **ENTER-button:** used to select a menu option or confirm a setting.
9. **▲-button:** used to go to the previous menu option or to increase a parameter value.
10. **▼-button:** used to go to the next menu option or to decrease a parameter value.
11. **ENCODER:** used to easily use some handy functions:
 - **DMX-mode:** Press the encoder to set the output at 100% during 10 sec. Very handy for aligning and adjusting the light beam in a theatre!
 - **MANUAL-mode:** see the drawing to easily understand how to use the encoder:
 - **CHANGE DIMMER LEVEL:** turn the encoder to change the light output manually. Press the encoder shortly if you want to save the new light output for future use.
 - **CHANGE CCT:** press the encoder until the display shows [LED CCT]. Turn the encoder to select the desired CCT. Press the encoder shortly if you want to save the new CCT for future use. Press the encoder again for +/-2 seconds to return to dimmer level.
12. **HANDLE:** used for aligning the spotlight. Can also be used to attach the safety cable during installation, see paragraph “overhead rigging”.



- 13. HANGING BRACKET:** with a knob on both sides to fasten the unit in the desired position. You can use the hole in the center of the bracket to fix a hook or truss clamp.
- 14. LOCKING CLIP:** The clip is used to keep the barndoor and color frame in place. Push the clip aside to open it.
- 15. BARN DOORS:** they facilitate shaping of the beam of light from the fixture, and prevent the distinctive scatter of light created by the Fresnel lens from spilling into areas where it is not wanted, such as the eyes of audience members. Just rotate the barndoor leaves in the desired position.

OVERHEAD RIGGING

Important: The installation must be carried out by qualified service personal only. Improper installation can result in serious injuries and/or damage to property. Overhead rigging requires extensive experience! Working load limits should be respected, certified installation materials should be used, the installed device should be inspected regularly for safety.

- Make sure the area below the installation place is free from unwanted persons during rigging, de-rigging and servicing.
- Locate the fixture in a well-ventilated spot, far away from any flammable materials and/or liquids. The fixture must be fixed **at least 50cm** from surrounding walls.
- The device should be installed out of reach of people and outside areas where persons may walk by or be seated.
- Before rigging make sure that the installation area can hold a minimum point load of 10times the device's weight.
- Always use a certified safety cable that can hold 12times the weight of the device when installing the unit. This secondary safety attachment should be installed in a way that no part of the installation can drop more than 20cm if the main attachment fails.
- The device should be well fixed; a free-swinging mounting is dangerous and may not be considered!
- Don't cover any ventilation openings as this may result in overheating.
- The operator has to make sure that the safety-relating and machine-technical installations are approved by an expert before using them for the first time. The installations should be inspected every year by a skilled person to be sure that safety is still optimal.



SETUP MENU / HOW TO SETUP

With the setup menu you can fully configure the projector. All settings are preserved when the unit is disconnected from the mains. Always press the [MENU] button first to enter the setup menu.

DMX ADDR

Used to set the desired DMX-address.

- Press the ▲/▼ buttons until the desired function is showing on the display and confirm with [ENTER].
- Use ▲/▼ buttons to select the desired DMX512 address. The last occupied DMX-address is also shown: this makes it easier to set the address of the next unit in the chain.
- Press the [ENTER] button to save the setting.

Note: on RDM-compatible controllers this option can also be remotely set.

CH. MODE

Used to set the desired channel mode.

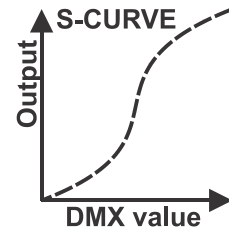
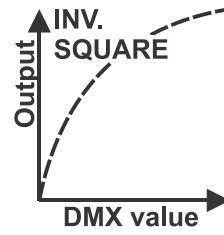
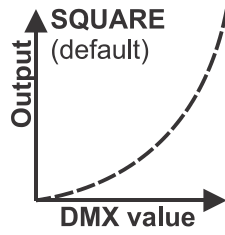
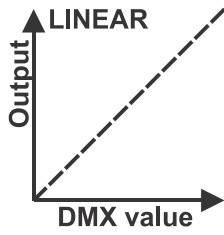
- Press the ▲/▼ buttons until the desired function is showing on the display and confirm with [ENTER].
- Use ▲/▼ buttons to select the desired mode:
 - [1CH 8b] : 1 channel mode (8bit dimmer, CCT selected in the setup menu)
 - [2CH 8b] : 2 channel mode (8bit dimmer + CCT channel)
 - [3CH 16b] : 3 channel mode (16bit dimmer + CCT channel).
 - [4CH 16bS] : 4 channel mode (16bit dimmer + strobe + CCT channel)
 - [5CH 16bF] : 5 channel mode (16bit dimmer + strobe + function channel + CCT channel)
- Press the [ENTER] button to save the setting.

Note: on RDM-compatible controllers this option can also be remotely set.

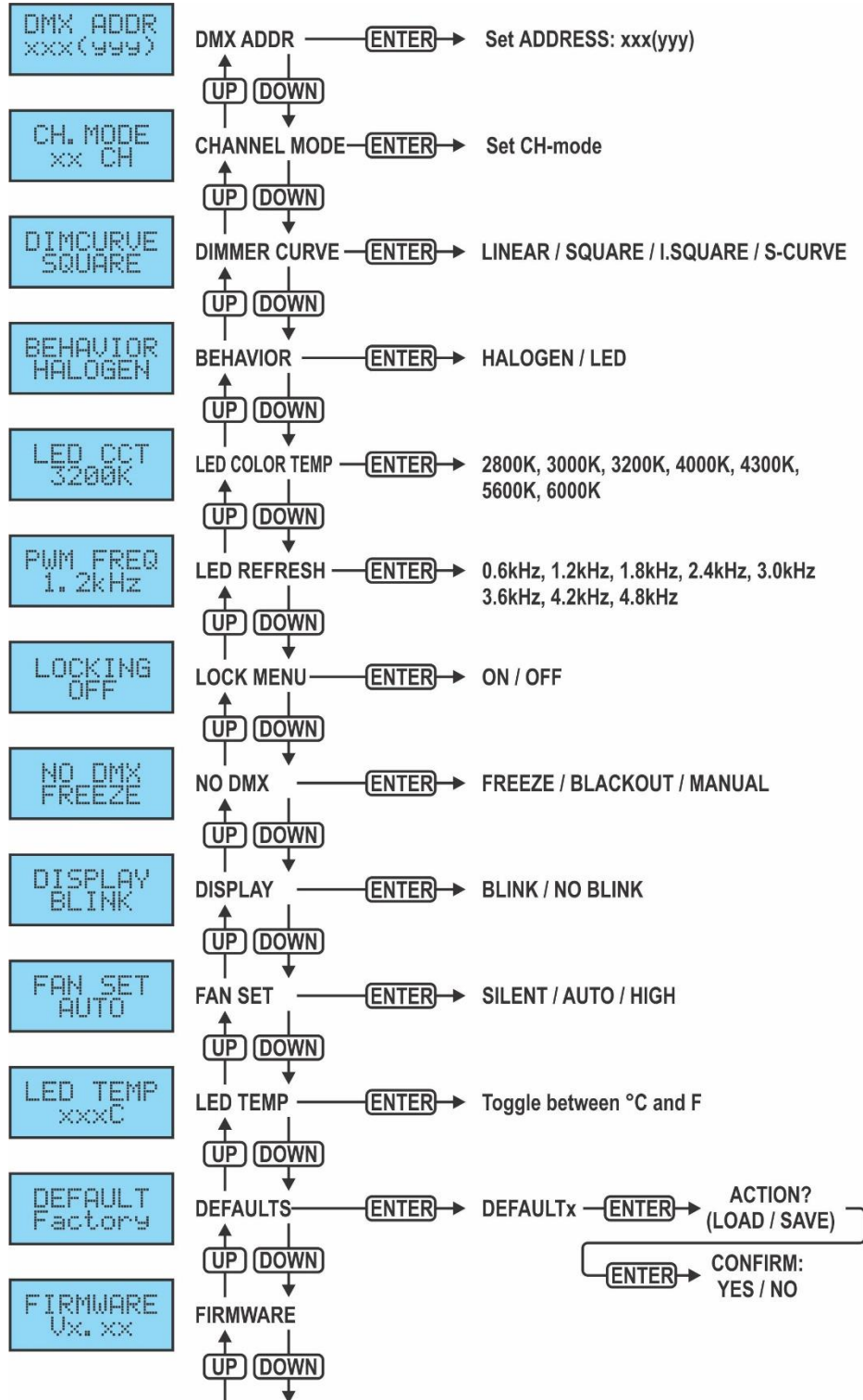
DIM CURVE

Used to set the dimmer curve of the master dimmer.

- Press the ▲/▼ buttons until the desired function is showing on the display and confirm with [ENTER].
- Use ▲/▼ buttons to select the desired mode:



- Press the [ENTER] button to save the setting.



BEHAVIOR

Used to select the reaction time of the projector.

- Press the ▲/▼ buttons until the desired function is showing on the display and confirm with [ENTER].
- Use ▲/▼ buttons to select the desired mode:
 - [LED] The projector follows the instructions instantly, no delay.
 - [HALOGEN] The projector imitates the behavior of a halogen lamp (slower reaction time).
- Press the [ENTER] button to save the setting.

LED CCT

Used to set the standard LED CCT (color temperature) while used in a mode that has no CCT-setting.

- Press the ▲/▼ buttons until the desired function is showing on the display and confirm with [ENTER].
- Use ▲/▼ buttons to select the desired CCT:
 - 2800K warm white, comparable to halogen lamps: theatre applications, ...
 - 3000K warm white, comparable to halogen lamps: theatre applications, ...
 - 3200K warm white, comparable to halogen lamps: theatre applications, ...
 - 4000K natural white, comparable to metal halide lamps: exhibition stands, shops, ...
 - 4300K natural white, comparable to fluorescent lamps: exhibition stands, shops, ...
 - 5600K Daylight white: TV-recordings, exhibition stands, shops, ...
 - 6000K Cool white: TV-recordings, exhibition stands, jewelry shops, ...
- Press the [ENTER] button to save the setting.

Note: in several DMX-modes you can use the CCT-channel to select any CCT between 2800K and 6000K.

PWM FREQ

Used to set the LED refresh rate and avoid flicker in video recordings.

- Press the ▲/▼ buttons until the desired function is showing on the display and confirm with [ENTER].
- Use ▲/▼ buttons to select the desired refresh rate frequency: 600Hz to 4800Hz (8 positions)
- Press the [ENTER] button to save the setting.

LOCKING

Used to lock the setup menu against unwanted altering of the settings.

- Press the ▲/▼ buttons until the desired function is showing on the display and confirm with [ENTER].
- Use ▲/▼ buttons to select the desired mode:
 - [OFF] The setup menu can be used at any time.
 - [ON] After a short time the setup menu locks automatically, the display shows [LOCKED *****].
Unlock the display by pressing the buttons in this order: **UP, DOWN, UP, DOWN, ENTER**.
- Press the [ENTER] button to save the setting.

NO DMX

Used to set how the projector reacts when the DMX-signal suddenly disappears.

- Press the ▲/▼ buttons until the desired function is showing on the display and confirm with [ENTER].
- Use ▲/▼ buttons to select the desired mode:
 - **BLACKOUT** output turns black while no DMX is detected.
 - **FREEZE:** output based on the last valid DMX-signal is kept on the projector.
 - **MANUAL:** output and CCT can be set manually with the encoder knob (see 11)
- Press the [ENTER] button to save the setting.

Note: as soon as the input detects a DMX-signal, the DMX-signal will control the unit.

DISPLAY BLINK

Used to select if the display should blink or not when the DMX signal was lost.

- Press the ▲/▼ buttons until the desired function is showing on the display and confirm with [ENTER].
- Use ▲/▼ buttons to select the desired mode: ON / OFF
- Press the [ENTER] button to save the setting.

FAN SET

On some occasions fan noise should be reduced to a minimum. Therefore, you can set three different fan speed modes.

- Press the ▲/▼ buttons until the desired function is showing on the display and confirm with [ENTER].
- Use ▲/▼ buttons to select the desired mode:
 - [AUTO]: the fan speed will be automatically adjusted to always have the best balance between fan noise and performance (light output). This is the best setting for use in theatres, conference rooms, ...

- **[SILENT]:** the fan speed will always be low to reduce fan noise to a minimum. However, this means that the LED temperature could become too high: in that case the LED current will be reduced automatically to protect the LED. Light output will also be lower.
- **[HIGH]:** the LED will be well cooled so maximum light output can be guaranteed under all conditions. However, this means that fan noise will be higher than usual.
- Press the [ENTER] button to save the setting.

LED TEMP

Used to check the LED-temperature

- Press the ▲/▼ buttons until the desired function is showing on the display and confirm with [ENTER].
- Press the [ENTER] button to toggle between Celcius [°C] and Fahrenheit [°F].

DEFAULT

This is your emergency exit if you really messed up the settings: just return to the [Factory Settings] (Factory Settings). Also, a user setting can be saved/loaded.

- Press the ▲/▼ buttons until the desired function is showing on the display and confirm with [ENTER].
- Use ▲/▼ buttons to select:
 - **[Factory]:** standard factory settings.
 - **[USER Def.]:** you can adapt the factory settings and save the new parameters as your personal USER-settings.
- Press the [ENTER] button:
 - **[Factory Settings] was selected:** the display shows “LOAD”
 - Press the [ENTER] button and use ▲/▼ buttons to confirm YES / NO
 - Press the [ENTER] button to confirm.
 - **[USER Def.] was selected:** the display shows “LOAD”
 - Use ▲/▼ buttons to select LOAD / SAVE
 - Press the [ENTER] button and use ▲/▼ buttons to confirm YES / NO
 - Press the [ENTER] button to confirm.
 - **[SAVE] was selected:** the current settings of the setup menu are saved to memory.
 - **[LOAD] was selected:** the previously saved settings are loaded.

Set of Factory default settings:

PARAMETER name	FACTORY defaults	USER defaults
[CH. MODE]	1CH 8b	Current setting in the menu
[NO DMX]	FREEZE	Current setting in the menu
[LOCKING]	OFF	Current setting in the menu
[DIM CURVE]	SQUARE	Current setting in the menu
[BEHAVIOR]	HALOGEN	Current setting in the menu
[FAN SET]	AUTO	Current setting in the menu
[DISPLAY BLINK]	ON	Current setting in the menu
[LED CCT]	3000K	Current setting in the menu
[PWM FREQ]	1.2 kHz	Current setting in the menu
[LED TEMP: C/F]	CELCIUS	Current setting in the menu

FIRMWARE

Shows the current firmware version in the projector.

- Press the ▲/▼ buttons until the desired function is showing on the display.
- Press the [ENTER] button: the display shows the firmware version.

Note: The firmware of this unit can be upgraded using our special “Firmware Updater 2” (separately available from Briteq). More information about this can be found in the user manual of the firmware updater or our website: <https://briteq-lighting.com/firmware-updater-2>

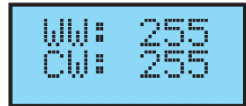
CALIBRATION

In this hidden menu, you can compensate the differences between the LEDs of different batches.

NOTE: Calibration was already performed at the factory, so this function is only required for service purposes.

- While you are in the SETUP menu: press the [ENTER]-button during 2 seconds: calibration starts while the light output is set to 100%.
- Measure the light beam with a spectrometer: 4400K should be measured.
 - **Measured CCT <4400K:** turn the encoder to reduce the WW-value until CCT = 4400K.

- **Measured CCT >4400K:** press to encoder to adjust the CW-value and turn the encoder to reduce the CW-value until CCT = 4400K.
- When ready: press the [ENTER]-button to save the new values.



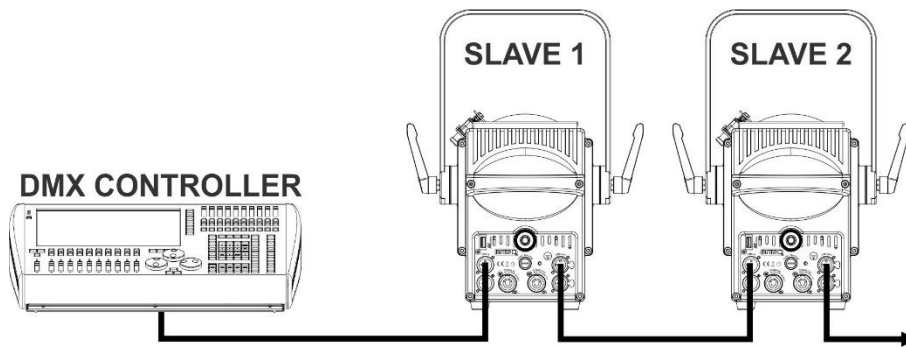
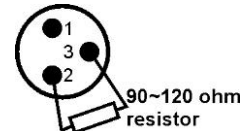
ELECTRICAL INSTALLATION



Important: The electrical installation should be carried out by qualified personal only, according to the regulations for electrical and mechanical safety in your country.

Electrical installation for two or more units in DMX-mode:

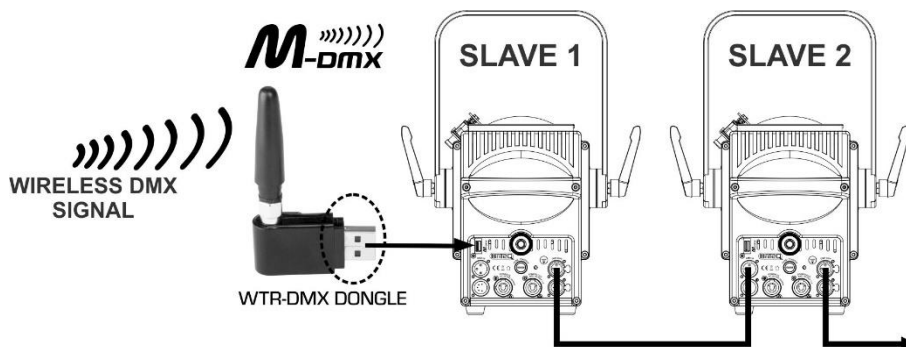
- The DMX-protocol is a widely used high speed signal to control intelligent light equipment. You need to “daisy chain” your DMX controller and all the connected units.
- Pin layout XLR-3pin: Pin1 = GND ~ Pin2 = Negative signal (-) ~ Pin3 = Positive signal (+)
- To prevent strange behavior of the light effects, due to interferences, you must use a 90Ω to 120Ω terminator at the end of the chain. Never use Y-splitter cables, this simply won't work!
- Make sure that all units are connected to the mains.
- Each unit in the chain needs to have its proper starting address so it knows which commands from the controller it has to decode.



Electrical installation for two or more units in WIRELESS DMX:

Same procedure as for a standard DMX-setup but 2 possibilities:

- **Pure W-DMX:** all projectors are equipped with an optional WTR-DMX DONGLE ! (Briteq code: 4645). The DMX-controller send a WIRELESS DMX-signal to all units.
- **Mixed W-DMX:** the first projector is equipped with an optional WTR-DMX DONGLE ! (Briteq code: 4645). The wireless DMX-signal sent to the first projector is also available on its DMX-output. All other DMX-equipment can be connected to the first projector using a standard DMX-cable.



RDM FUNCTIONS / REMOTE SETUP

RDM means “Remote Device Management”. This projector works with a brief set of RDM-functions which means that it can setup a bi-directional communication with an RDM-compatible DMX-controller. Some of these functions are briefly explained below, others will be added in the future.

- The DMX-controller sends out a “discovery command”, all RDM devices respond and send their unique device ID.
- The DMX-controller asks each RDM device for some basic data so it knows which devices are connected. The projector will respond:
 - **Device name:** BT-THEATRE 200TW
 - **Manufacturer:** Briteq®
 - **Category:** LED Dimmer
 - **Firmware:** x.x.x.x (firmware version of the projector)
 - **DMX address:** xxx (current DMX start address of the projector)
 - **DMX footprint:** xx (number of DMX-channels used by the projector)
 - **Personality:** xx (current personality [or DMX-working mode] used by the projectors)
- The DMX-controller can send certain commands to each RDM device which allow remote setup of the units. Thanks to this the projector can be setup remotely.

The following functions can be managed remotely:

No more need to take a ladder and set all units one by one!

- **DMX START ADDRESS:** The start address can be set remotely from 001 to xxx.
- **PERSONALITY:** The DMX working mode (DMX-chart) can be set remotely.

These 2 functions make it possible to prepare a complete DMX-patch of all projectors on the DMX-controller and send these data to all projectors at once. More functions will be added later.

OPERATING INSTRUCTIONS

Note: when the projector is switched on the display shows “UPDATE WAIT ...” This message informs you that IF you want to upgrade the firmware, you should do it while this message is shown on the display. For normal use you can ignore this message completely.

A. Standalone 1unit – Manual operation:

- Just connect the projector to the mains.
- In the setup menu the option [NO DMX Mode] should be set to [MANUAL]
- Adjust the encoder
- Refer to point 11 in chapter DESCRIPTION for more information.

B. Controlled by universal DMX-controller (wired or wireless):

- Connect all units together. Refer to the chapter “Electrical installation for two or more units in DMX-mode” to learn how to do this (don’t forget to address all units properly!)
- Connect all units to the mains and turn on the DMX controller.

Since each unit has its own DMX-address, you can control them individually. Remember that each unit can use a different number of DMX-channels, depending on the DMX-mode you have selected in the menu.

See the different DMX charts:

1CH 8b	2CH 8b	3CH 16b	4CH 16bS	5CH 16bF	VALUES	FUNCTION	REMARKS
1	1	1	1	1	000-255	Dimmer coarse (0-100%)	
		2	2	2	000-255	Dimmer fine (16bit)	
	2	3	3	3	000-005	CCT = 2800K	CCT CHANNEL
					032	CCT = 3000K	average target DMX-value
					047	CCT = 3200K	average target DMX-value
					103	CCT = 4000K	average target DMX-value
					128	CCT = 4300K	average target DMX-value
					228	CCT = 5600K	average target DMX-value
					255	CCT = 6000K	average target DMX-value
			4	4	000-005	Open (no strobe)	
					006-125	Normal strobe (slow → fast)	
					126-135	Open (no strobe)	
					136-255	Random strobe (slow → fast)	
			5	5	000-020	No function	FUNCTION CHANNEL
					021-025	Dim curve: Linear	Delay 3s
					026-030	Dim curve: Square	Delay 3s
					031-035	Dim curve: Inverse Square	Delay 3s
					036-040	Dim curve: S-Curve	Delay 3s
					041-060	No function	
					061-065	Dim behavior: LED	Delay 3s
					066-070	Dim behavior: HALOGEN	Delay 3s
					071-090	No function	
					091-095	No DMX: Freeze mode	Delay 3s
					096-100	No DMX: blackout mode	Delay 3s
					101-105	No DMX: Manual mode	Delay 3s
					106-125	No function	
					126-130	Display: BLINK ON	Delay 3s
					131-135	Display: BLINK OFF	Delay 3s
					136-155	No function	
					156-160	FAN: SILENT mode	Delay 3s
					161-165	FAN: AUTO mode	Delay 3s
					166-170	FAN: HIGH mode	Delay 3s
					171-190	No function	
					191-195	PWM = 0.6kHz	Delay 3s
					196-200	PWM = 1.2kHz	Delay 3s
					201-205	PWM = 1.8kHz	Delay 3s
			206-210	PWM = 2.4kHz	Delay 3s		
			211-215	PWM = 3.0kHz	Delay 3s		
			216-220	PWM = 3.6kHz	Delay 3s		
			221-225	PWM = 4.2kHz	Delay 3s		
			226-230	PWM = 4.8kHz	Delay 3s		
			231-255	No function			

MAINTENANCE

- Make sure the area below the installation place is free from unwanted persons during servicing.
- Switch off the unit, unplug the mains cable and wait until the unit has been cooled down.

During inspection the following points should be checked:

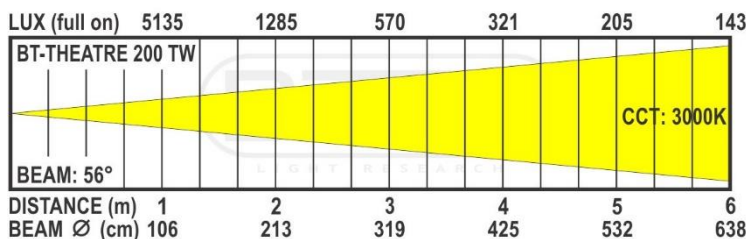
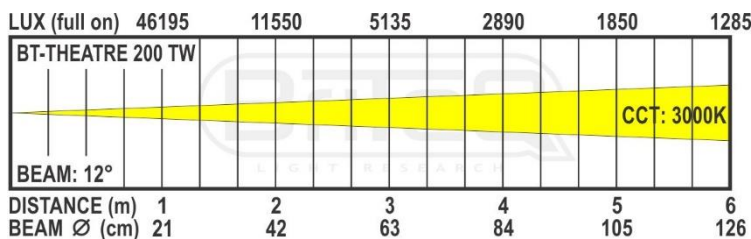
- All screws used for installing the device and any of its parts should be tightly fastened and may not be corroded.
- Housings, fixations and installations spots (ceiling, truss, suspensions) should be totally free from any deformation.
- When an optical lens is visibly damaged due to cracks or deep scratches, it must be replaced.
- The mains cables must be in impeccable condition and should be replaced immediately when even a small problem is detected.
- In order to protect the device from overheat the cooling fans (if any) and ventilation openings should be cleaned monthly.
- The interior of the device should be cleaned annually using a vacuum cleaner or air-jet.
- The cleaning of internal and external optical lenses and/or mirrors must be carried out periodically to optimize light output. Cleaning frequency depends on the environment in which the fixture operates: damp, smoky or particularly dirty surroundings can cause greater accumulation of dirt on the unit's optics.
 - Clean with a soft cloth using normal glass cleaning products.
 - Always dry the parts carefully.

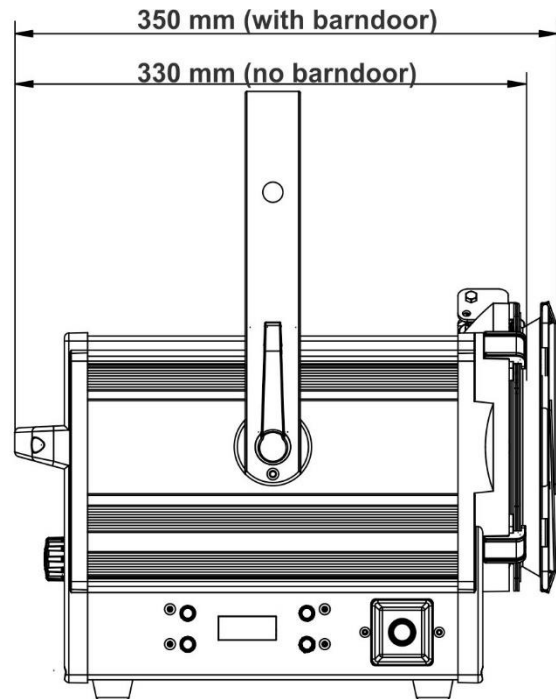
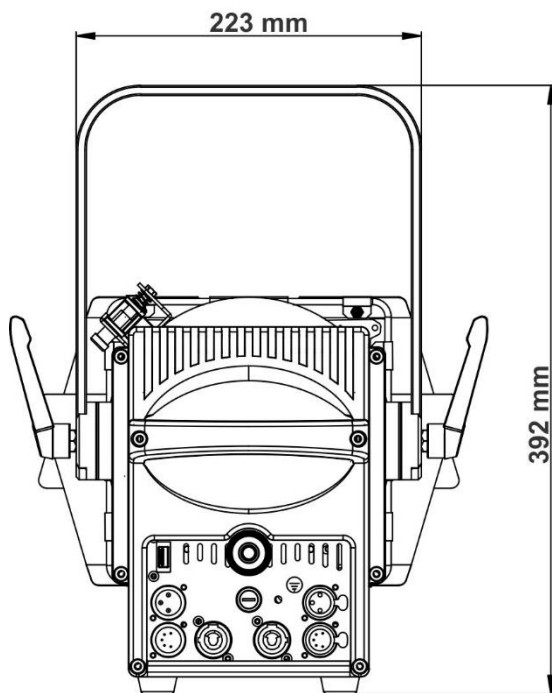
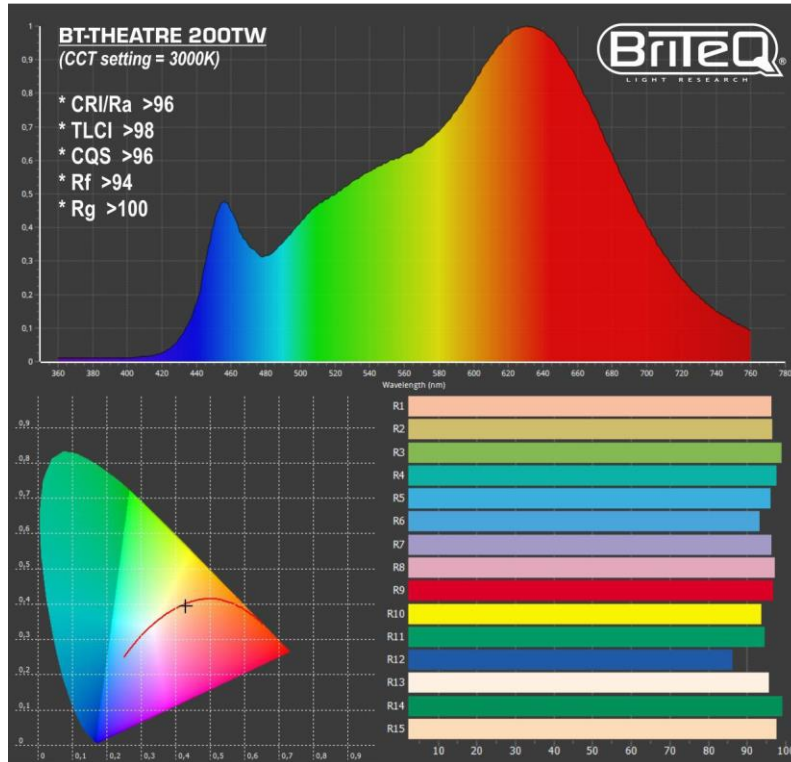
Attention: We strongly recommend internal cleaning to be carried out by qualified personnel!

SPECIFICATIONS

This unit is radio-interference suppressed. This product meets the requirements of the current European and national guidelines. Conformity has been established and the relevant statements and documents have been deposited by the manufacturer.

Mains Input:	AC 110 - 240V, 50/60Hz
Fuse :	T2A / 250V (20x5mm)
Power consumption (max):	105 Watts
Power connections:	PowerCON® compatible input / output
DMX connections:	3&5 pin-XLR male / female inputs + outputs
Lamp:	LED, 200W Warm / Cold white, CCT: 2800K + 6000K
CRI:	>95
Beam Angle:	manual zoom 12° ~ 56°
Field Angle:	manual zoom 20° ~ 67°
IP-Rating:	IP30
Size:	See drawing
Weight:	7,25 kg (including barndoor)





The information might be modified without prior notice
 You can download the latest version of this user manual on our website: www.briteq-lighting.com



MAILING LIST

EN: Subscribe today to our mailing list for the latest product news!

FR: Inscrivez-vous à notre liste de distribution si vous souhaitez suivre l'actualité de nos produits!

NL: Abonneer je vandaag nog op onze mailinglijst en ontvang ons laatste product nieuws!

DE: Abonnieren Sie unseren Newsletter und erhalten Sie aktuelle Produktinformationen!

ES: Suscríbete hoy a nuestra lista de correo para recibir las últimas noticias!

PT: Inscreva-se hoje na nossa mailing list para estar a par das últimas notícias!

WWW.BRITEQ-LIGHTING.COM

Copyright © 2020 by BEGLEC NV

't Hofveld 2C ~ B1702 Groot-Bijgaarden ~ Belgium

Reproduction or publication of the content in any manner, without express permission of the publisher, is prohibited.