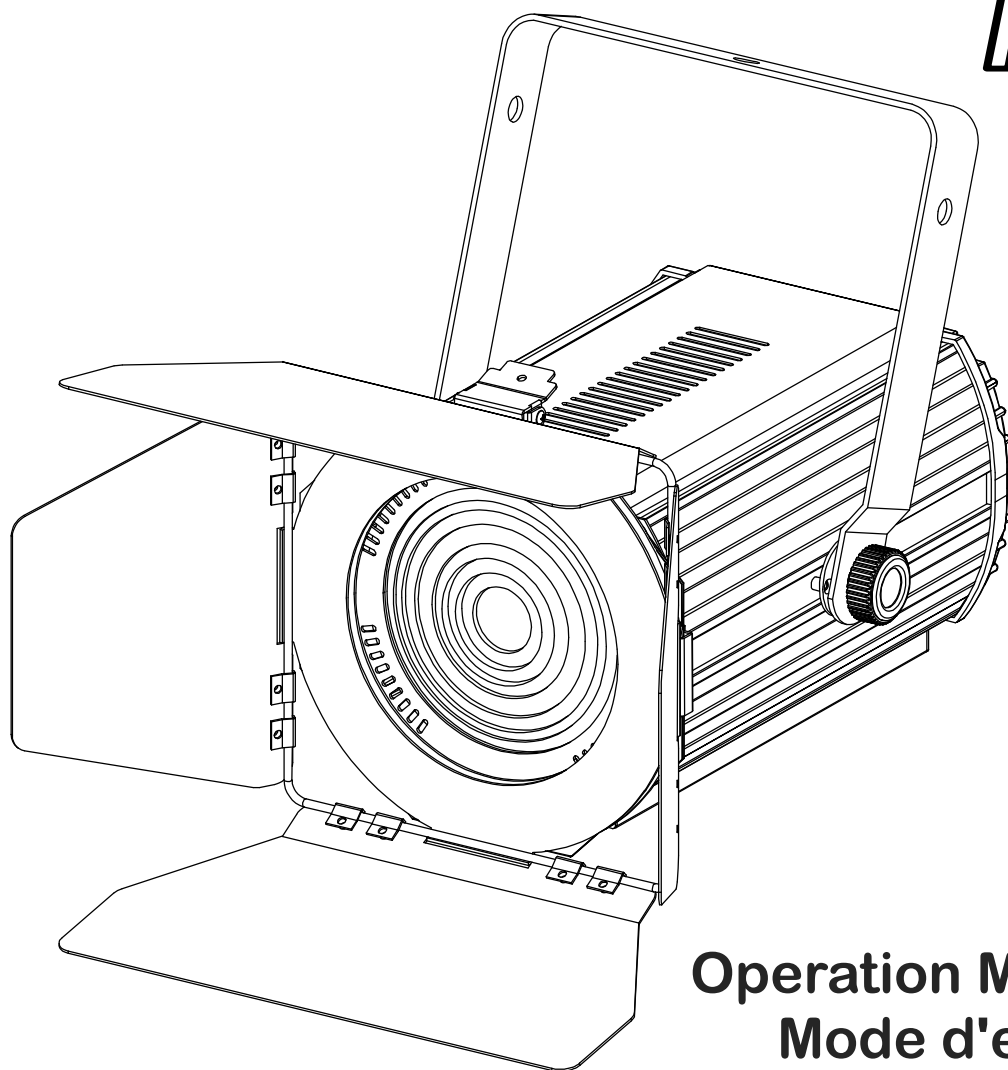


BT-THEATRE 100EC WHITE

BT-THEATRE 100EC MK2



Operation Manual EN
Mode d'emploi FR
Gebruiksaanwijzing NL
Bedienungsanleitung DE

CE

Version: 1.1

BriteQ[®]
LIGHT RESEARCH



EN - DISPOSAL OF THE DEVICE

Dispose of the unit and used batteries in an environment friendly manner according to your country regulations.

FR - DÉCLASSER L'APPAREIL

Débarrassez-vous de l'appareil et des piles usagées de manière écologique Conformément aux dispositions légales de votre pays.

NL - VERWIJDEREN VAN HET APPARAAT

Verwijder het toestel en de gebruikte batterijen op een milieuvriendelijke manier conform de in uw land geldende voorschriften.

DU - ENTSORGUNG DES GERÄTS

Entsorgen Sie das Gerät und die Batterien auf umweltfreundliche Art und Weise gemäß den Vorschriften Ihres Landes.

ES - DESHACERSE DEL APARATO

Reciclar el aparato y pilas usadas de forma ecologica conforme a las disposiciones legales de su país.

PT - COMO DESFAZER-SE DA UNIDADE

Tente reciclar a unidade e as pilhas usadas respeitando o ambiente e em conformidade com as normas vigentes no seu país.

OPERATION MANUAL

Thank you for buying this Briteq® product. To take full advantage of all possibilities and for your own safety, please read these operating instructions very carefully before you start using this unit.

FEATURES

This unit is radio-interference suppressed. This product meets the requirements of the current European and national guidelines. Conformity has been established and the relevant statements and documents have been deposited by the manufacturer.

- Cost effective LED theater spot with manual 10° ~ 50° zoom.
- Not only for use in theatres but also perfect for showrooms, shops, exhibition booths, rental, ...
- The powerful 100W white COB makes it a perfect replacement for a traditional 1000W halogen theater spot: max 7800 lux @2m (beam angle: 10°)
- No more heavy and expensive dimmer packs needed!
- Color temperature 3200K with high CRI-factor: 85 for natural colors
- LCD-display to select different working modes:
 - Standalone (master) Mode : set dimmer + strobe (if needed)
 - Master/slave mode: connect several projectors together, the first projector controls the others.
 - DMX-controlled, 1CH: dimmer
 - DMX-controlled, 2CH: dimmer, strobe
- Selectable lamp behavior: halogen lamp (slow) or led (fast)
- Four dimmer curves: linear, square, inverse square, S-curve
- In case of DMX failure you can choose between blackout and freeze mode.
- Partly extruded black anodized aluminium housing with strong bracket
- Neutrik PowerCon in/outputs: easy daisy chaining of several units.
- Both 3pin & 5pin DMX in/outputs for maximum compatibility
- Forced very low noise fan cooling
- Color frame for use of color filters and barn doors included

BEFORE USE

- Before you start using this unit, please check if there's no transportation damage. Should there be any, do not use the device and consult your dealer first.
- **Important:** This device left our factory in perfect condition and well packaged. It is absolutely necessary for the user to strictly follow the safety instructions and warnings in this user manual. Any damage caused by mishandling is not subject to warranty. The dealer will not accept responsibility for any resulting defects or problems caused by disregarding this user manual.
- Keep this booklet in a safe place for future consultation. If you sell the fixture, be sure to add this user manual.

Check the contents:

Check that the packing contains the following items:

- Operating instructions
- BT-THEATRE 100EC MK2
- PowerCON mains cable

SAFETY INSTRUCTIONS:



CAUTION
RISK OF ELECTRIC SHOCK
DO NOT OPEN



CAUTION: To reduce the risk of electric shock, do not remove the top cover. No user-serviceable parts inside. Refer servicing to qualified service personnel only.



The lightning flash with arrowhead symbol within the equilateral triangle is intended to alert the user to the presence of un-insulated "dangerous voltage" within the product's enclosure that may be of sufficient magnitude to constitute a risk of electric shock.



The exclamation point within the equilateral triangle is intended to alert the user to the presence of important operation and maintenance (servicing) instructions in the literature accompanying this appliance.



This symbol means: indoor use only



This symbol means: Read instructions



This symbol determines: the minimum distance from lighted objects. The minimum distance between light-output and the illuminated surface must be more than 1 meters



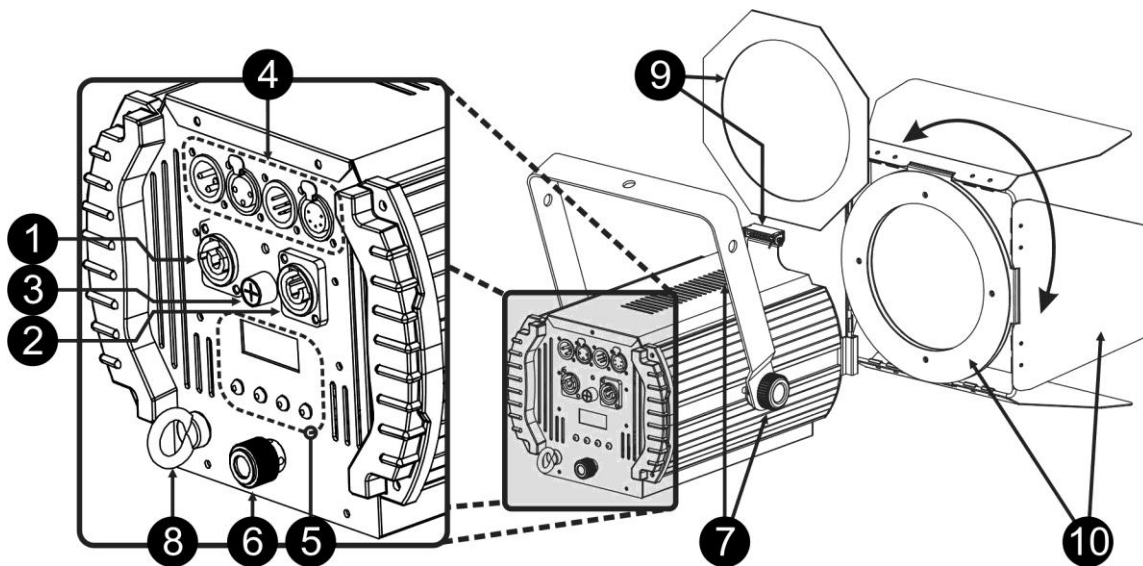
The device is not suitable for direct mounting on normally flammable surfaces. (suitable only for mounting on non-combustible surfaces)

RISK GROUP 2
CAUTION:
Do not stare at operating lamp

CAUTION: Do not stare at operating lamp.
May be harmful to the eyes.

- To protect the environment, please try to recycle the packing material as much as possible.
- To avoid condensation to be formed inside, allow the unit to adapt to the surrounding temperatures when bringing it into a warm room after transport. Condense sometimes prevents the unit from working at full performance or may even cause damages.
- Don't place metal objects or spill liquid inside the unit. Electric shock or malfunction may result. If a foreign object enters the unit, immediately disconnect the mains power.
- Locate the fixture in a well ventilated spot, away from any flammable materials and/or liquids. The fixture must be fixed at least 50cm from surrounding walls.
- Don't cover any ventilation openings as this may result in overheating.
- Prevent use in dusty environments and clean the unit regularly.
- Keep the unit away from children.
- Inexperienced persons should not operate this device.
- Maximum safe ambient temperature is 40°C. Don't use this unit at higher ambient temperatures.
- Make sure the area below the installation place is free from unwanted persons during rigging, de-rigging and servicing.
- Allow the device about 10 minutes to cool down before to start servicing.
- Always unplug the unit when it is not used for a longer time or before to start servicing.
- The electrical installation should be carried out by qualified personal only, according to the regulations for electrical and mechanical safety in your country.
- Check that the available voltage is not higher than the one stated on the unit.
- The power cord should always be in perfect condition. Switch the unit immediately off when the power cord is squashed or damaged. It must be replaced by the manufacturer, its service agent or similarly qualified persons in order to avoid a hazard.
- Never let the power-cord come into contact with other cables!
- This fixture must be earthed in order to comply with safety regulations.
- Don't connect the unit to any dimmer pack.
- Always use an appropriate and certified safety cable when installing the unit.
- In order to prevent electric shock, do not open the cover. There are no user serviceable parts inside.
- **Never** repair a fuse or bypass the fuse holder. **Always** replace a damaged fuse with a fuse of the same type and electrical specifications!
- In the event of serious operating problems, stop using the fixture and contact your dealer immediately.
- The housing and the lenses must be replaced if they are visibly damaged.
- Please use the original packing when the device is to be transported.
- Due to safety reasons it is prohibited to make unauthorized modifications to the unit.

Important: Never look directly into the light source! Don't use the effect in the presence of persons suffering from epilepsy.

DESCRIPTION:

1. **MAINS INPUT:** equipped with original Neutrik PowerCON[®]. Connect the supplied mains cable or any PowerCon[®] extension cable here.
2. **MAINS OUTPUT:** used to daisy chain the power to several other projectors. Always pay attention to the maximum load while adding projectors! Special Multi cables (PowerCON[®] + DMX XLR-cables are optionally available: see our website!)
3. **MAINS FUSE:** protects the unit in case of electrical problems, always use the prescribed fuse!
4. **DMX IN/OUT:** both 3pin and 5pin in/outputs are available to daisy chain the projector with other units that will be controlled by a DMX-controller.
5. **DISPLAY & BUTTONS:** Backlit alphanumeric LCD-display and waterproof touch keys to select different options of the setup menu:
 - **MENU-button:** used to browse the different menu options or to exit a menu option.
 - **DOWN-button:** used to go to the next menu option or to decrease a parameter value.
 - **UP-button:** used to go to the previous menu option or to increase a parameter value.
 - **ENTER-button:** used to select a menu option or confirm a setting.
6. **FOCUS KNOB:** used to adjust the beam angle between 10° and 50°.
7. **HANGING BRACKET:** with knobs on both sides to fasten the unit.
8. **SAFETY HOLE:** used to attach a safety cable when the unit is rigged, see paragraph “overhead rigging”.
9. **COLOR FRAME:** used to fix color gels in front of the lens. The clip is used to keep the color frame in place.
10. **BARN DOORS:** they facilitate shaping of the beam of light from the fixture, and prevent the distinctive scatter of light created by the Fresnel lens from spilling into areas where it is not wanted, such as the eyes of audience members. Just rotate the barn door leaves in the desired position.

OVERHEAD RIGGING

- **Important:** The installation must be carried out by qualified service personal only. Improper installation can result in serious injuries and/or damage to property. Overhead rigging requires extensive experience! Working load limits should be respected, certified installation materials should be used, the installed device should be inspected regularly for safety.
- Make sure the area below the installation place is free from unwanted persons during rigging, de-rigging and servicing.
- Locate the fixture in a well ventilated spot, far away from any flammable materials and/or liquids. The fixture must be fixed **at least 50cm** from surrounding walls.
- The device should be installed out of reach of people and outside areas where persons may walk by or be seated.
- Before rigging make sure that the installation area can hold a minimum point load of 10times the device's weight.

- Always use a certified safety cable that can hold 12times the weight of the device when installing the unit. This secondary safety attachment should be installed in a way that no part of the installation can drop more than 20cm if the main attachment fails.
- The device should be well fixed; a free-swinging mounting is dangerous and may not be considered!
- Don't cover any ventilation openings as this may result in overheating.
- The operator has to make sure that the safety-relating and machine-technical installations are approved by an expert before using them for the first time. The installations should be inspected every year by a skilled person to be sure that safety is still optimal.



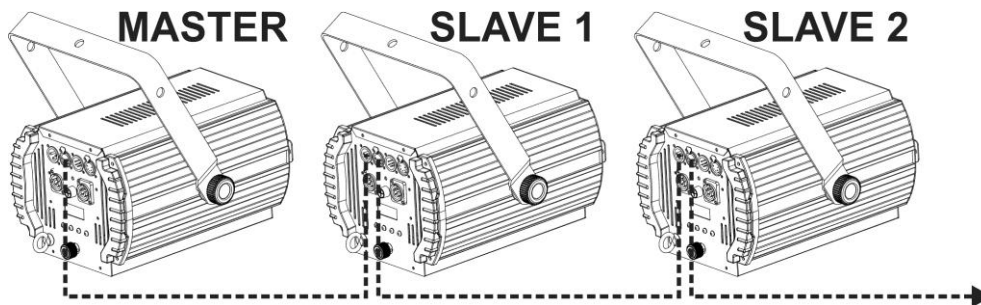
ELECTRICAL INSTALLATION + ADDRESSING

⚠ Important: The electrical installation should be carried out by qualified personal only, according to the regulations for electrical and mechanical safety in your country.

Master / Slave mode:

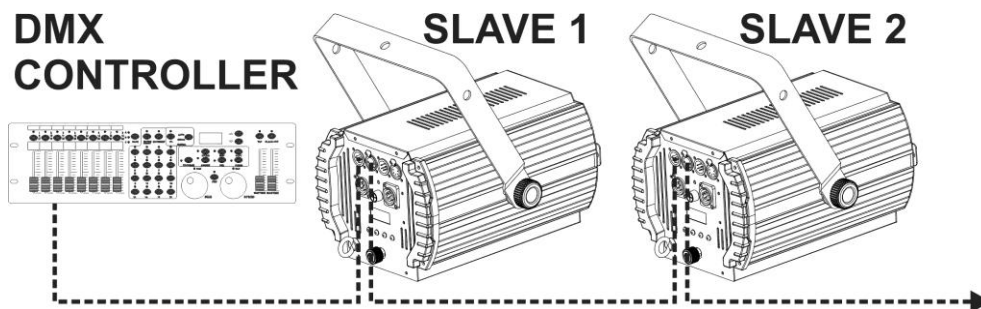
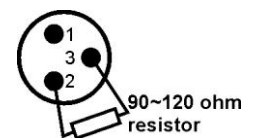
Connect the projectors together as shown on the drawing. Please refer to the paragraph "SETUP MENU" to setup the master. You can also switch the IR-remote on the master to ON and use the included IR-remote. All slaves must be set to SLAVE-mode. You can put as many slaves as you like on condition that the overall power consumption on the power line stays under 10A (2300W).

IMPORTANT: make sure that no DMX-controller is connected, this will result in unexpected behavior!



Electrical installation for two or more units in DMX-mode:

- The DMX-protocol is a widely used high speed signal to control intelligent light equipment. You need to "daisy chain" your DMX controller and all the connected units.
- Use the supplied DMX input conversion cable (IP-cabling to XLR-male) to connect the first unit in the line to the controller.
- Pin layout XLR-3pin: Pin1 = GND ~ Pin2 = Negative signal (-) ~ Pin3 = Positive signal (+)
- Pin layout XLR-5pin: Pin1 = GND ~ Pin2 = Negative signal (-) ~ Pin3 = Positive signal (+) ~ Pins4+5 not used.
- To prevent strange behavior of the light effects, due to interferences, you must use a 90Ω to 120Ω terminator at the end of the chain. Never use Y-splitter cables, this simply won't work!



- Make sure that all units are connected to the mains.
- Each unit in the chain needs to have its proper starting address so it knows which commands from the controller it has to decode. In the next section you will learn how to set the DMX addresses.

HOW TO SETUP:

For both models all points are identical, except for the display messages: displays are shown on the left side.

- To select any of the functions, press the MODE button until the required function is shown on the display or use the DOWN and UP buttons to browse the menu.
- Select the function with the ENTER button.
- Use DOWN and UP buttons to change the values.
- Once the required value is selected, press the ENTER button to confirm.

DMX ADDR

Used to set the desired DMX-address.

- Press the MODE button until the desired function is showing on the display.
- Press the ENTER button: the values can be changed
- Use DOWN and UP buttons to select the desired DMX512 address. The last occupied DMX-address is also shown: makes it easier to set the address of the next unit in the chain.
- Once the correct address shows on the display, press the ENTER button to save it.

Note: on RDM-compatible controllers this option can also be remotely set.

CH. MODE

Used to set the desired channel mode.

- Press the MODE button until the desired function is showing on the display.
- Press the ENTER button: the values can be changed
- Use DOWN and UP buttons to select the desired mode:
 - **CH:01** master dimmer
 - **CH:02** strobe + master dimmer
- Once the correct option shows on the display, press the ENTER button to save it.

Remark: on RDM-compatible controllers this option can also be remotely set.

SLAVE MODE

Used to set the projector as slave in a master/slave setup.

- Press the MODE button until SLAVE MODE is showing on the display.

MASTER DIM

Used to set the master dimmer while used as master.

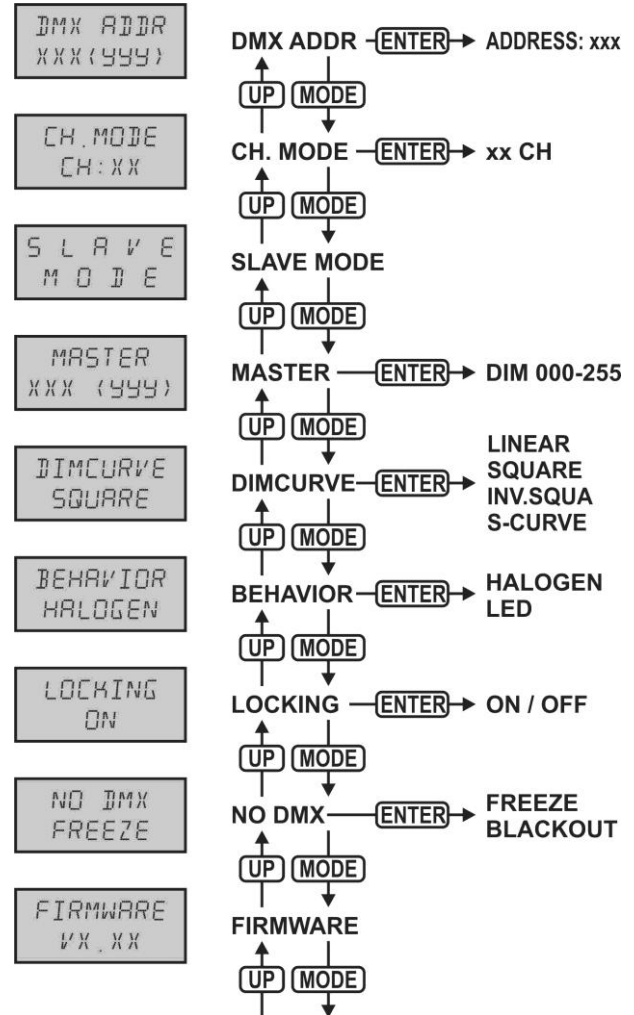
- Press the MODE button until the desired function is showing on the display.
- Press the ENTER button: the values can be changed
- Use DOWN and UP buttons to select the desired level for the master dimmer. (please note that the last selected static color will be used to set the value)
- Once you have the desired level, press the ENTER button to save it.

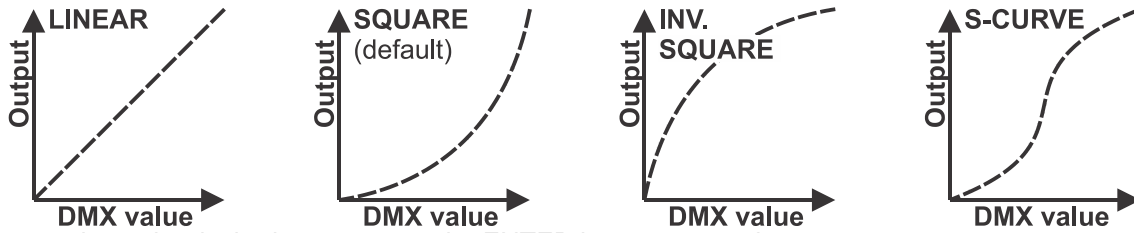
Note: the setting of this option has NO effect while the projector is used as SLAVE or in DMX-mode.

DIMMER CURVE

Used to set the dimmer curve of the master dimmer.

- Press the MODE button until the desired function is showing on the display.
- Press the ENTER button: the values can be changed
- Use DOWN and UP buttons to selected the desired curve:





- Once you have the desired curve, press the ENTER button to save it.

LAMP BEHAVIOR

Used to select the reaction time of the projector.

- Press the MODE button until the desired function is showing on the display.
- Press the ENTER button: the values can be changed
- Use DOWN and UP buttons to select the desired mode:
 - **LED** The projector follows the instructions instantly, no delay.
 - **HALOGEN** The projector imitates the behavior of a halogen lamp (slower reaction time).
- Once the correct option shows on the display, press the ENTER button to save it.

LOCKING MODE

Used to lock the setup menu against unwanted altering of the settings.

- Press the MODE button until the desired function is showing on the display.
- Press the ENTER button: the values can be changed
- Use DOWN and UP buttons to select the desired mode:
 - **OFF** The setup menu can be used at any time.
 - **ON** After a short time the setup menu locks automatically, the display shows “**LOCKED *******”. Unlock the display by pressing the buttons in this order: **UP, DOWN, UP, DOWN, ENTER**.
- Once the correct option shows on the display, press the ENTER button to save it.

NO DMX BEHAVIOR

Used to set how the projector reacts when the DMX-signal suddenly disappears.

- Press the MODE button until the desired function is showing on the display.
- Press the ENTER button: the values can be changed
- Use DOWN and UP buttons to select the desired mode:
 - **BLACKOUT** output turns black while no DMX is detected.
 - **FREEZE:** output based on the last valid DMX-signal is kept on the projector.
- Once the correct option shows on the display, press the ENTER button to save it.

Note: as soon as the input detects a DMX-signal, blackout or freeze mode will be cancelled.

FIRMWARE VERSION

Used to show the current version of the firmware.

- Press the MODE button until the FIRMWARE is showing on the display.

The firmware of this unit can be upgraded using a special upgrade tool with Windows® software. (separately available from Briteq).

Each time the projector is switched on, the display shows “UPDATE Wait”: while this message shows on the display you can start the update using our special upgrade tool. More information about this can be found in the user manual of the upgrade tool and / or our website: www.briteq-lighting.com

RDM FUNCTIONS / REMOTE SETUP

RDM means “Remote Device Management”. This projector works with a brief set of RDM-functions which means that it can setup a bi-directional communication with an RDM-compatible DMX-controller. Some of these functions are briefly explained below, others will be added in the future.

- The DMX-controller sends out a “discovery command”, all RDM devices respond and send their unique device ID.
- The DMX-controller asks each RDM device for some basic data so it knows which devices are connected. The projector will respond:
 - **Device name:** the actual name of the unit
 - **Manufacturer:** Briteq®

- **Category:** LED Dimmer
 - **Firmware:** x.x.x.x (firmware version of the projector)
 - **DMX address:** xxx (current DMX start address of the projector)
 - **DMX footprint:** xx (number of DMX-channels used by the projector)
 - **Personality:** xx (current personality [or DMX-working mode] used by the projectors)
- The DMX-controller can send certain commands to each RDM device which allow remote setup of the units. Thanks to this the projectors can be setup remotely.

The following functions can be managed remotely:

No more need to take a ladder and set all units one by one!

- **DMX START ADDRESS:** The start address can be set remotely from 001 to xxx.
- **PERSONALITY:** The DMX working mode (DMX-chart) can be set remotely.

These 2 functions make it possible to prepare a complete DMX-patch of all projectors on the DMX-controller and send these data to all projectors at once. More functions will be added later.

OPERATING INSTRUCTIONS

Note: when the projector is switched on the display shows "UPDATE WAIT ..." This message informs you that IF you want to upgrade the firmware, you should do it while this message is shown on the display. For normal use you can ignore this message completely.

A. Standalone 1unit:

- Just connect the projector to the mains.
- Select menu option "MASTER" to set the desired light output.
- Refer to chapter HOW TO SETUP to learn how to set the other menu options.

B. Two or more units in master/slave setup:

- Connect the units together. Refer to the chapter "electrical installation" to learn how to do this.
- Select menu option "MASTER" to set the desired light output on the master (the first projector in the DMX chain)
- Set all the other projectors in SLAVE mode
- The projectors will now follow the settings of the master projector so they all work synchronously.

C. Controlled by universal DMX-controller:

- Connect all units together. Refer to the chapter "Electrical installation for two or more units in DMX-mode" to learn how to do this (don't forget to address all units properly!)
- Connect all units to the mains and turn on the DMX controller.

Since each unit has its own DMX-address, you can control them individually. Remember that each unit uses 1 or 2 DMX-channels, depending on the DMX-mode you have selected in the menu. See the different DMX charts below:

DMX Chart for the 1 channel DMX-Mode

Channel:	Value:	Function:	Remarks:
1	000-255	Master dimmer (0-100%)	

DMX Chart for the 2 channel DMX-Mode

Channel:	Value:	Function:	Remarks:
1	000-255	Master dimmer (0-100%)	
2	000-005	Open	No strobe
	006-255	Increasing strobe speed	006 = slow 255 = fast

MAINTENANCE

- Make sure the area below the installation place is free from unwanted persons during servicing.
- Switch off the unit, unplug the mains cable and wait until the unit has been cooled down.

During inspection the following points should be checked:

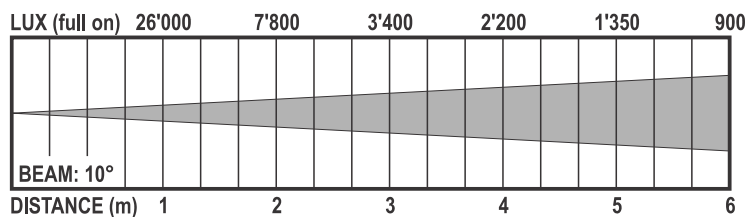
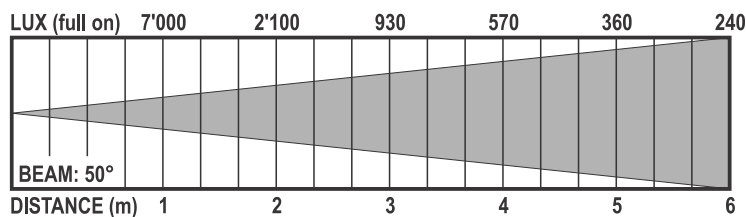
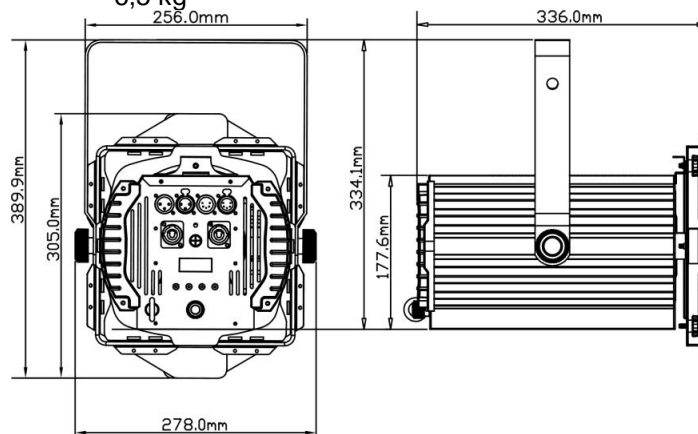
- All screws used for installing the device and any of its parts should be tightly fastened and may not be corroded.
- Housings, fixations and installations spots (ceiling, truss, suspensions) should be totally free from any deformation.

- When an optical lens is visibly damaged due to cracks or deep scratches, it must be replaced.
- The mains cables must be in impeccable condition and should be replaced immediately when even a small problem is detected.
- In order to protect the device from overheat the cooling fans (if any) and ventilation openings should be cleaned monthly.
- The cleaning of internal and external optical lenses and/or mirrors must be carried out periodically to optimize light output. Cleaning frequency depends on the environment in which the fixture operates: damp, smoky or particularly dirty surroundings can cause greater accumulation of dirt on the unit's optics.
 - Clean with a soft cloth using normal glass cleaning products.
 - Always dry the parts carefully.

Attention: We strongly recommend internal cleaning to be carried out by qualified technician!

SPECIFICATIONS

Mains Input: AC 110V - 240V, 50/60Hz
Power consumption: 125 Watt max.
Fuse: 250V T2A (20mm glass)
DMX connections: 3pin + 5pin XLR male / female
DMX channels used: 1+2 channels
Lamp: 100W warm white COB 3200K
 CRI = 85
LED Refresh rate: 1200 Hz
Beam Angle: 10° – 50°
Size: see drawing
Weight: 6,5 kg



The information might be modified without prior notice
 You can download the latest version of this user manual on our website: www.briteq-lighting.com

GUIDE D'UTILISATION

Nous vous remercions d'avoir acheté ce produit Briteq®. Pour tirer pleinement profit de toutes les possibilités du produit et pour votre propre sécurité, lisez ces instructions très attentivement avant d'utiliser cet appareil.

CARACTÉRISTIQUES

Cet appareil ne produit pas d'interférences radio. Ce produit répond aux exigences des directives européennes et nationales actuelles. La conformité a été établie et les déclarations et documents correspondants ont été déposés par le fabricant.

- Projecteur théâtre à LED économique avec zoom manuel de 10° à 50°.
- Convient également pour les showrooms, magasins, stands d'exposition, location, ...
- Grâce à sa puissante LED COB blanche de 100W white COB il devient le remplaçant idéal du projecteur théâtre traditionnel à lampe halogène de 1000W: max 7800 lux @2m (sous un angle de 10°)
- Plus besoin de gradateurs lourds et coûteux!
- Température de couleur de 3200K et facteur CRI élevé: 85 pour un rendu des couleurs naturel
- Écran LCD pour sélectionner les différents modes:
 - Mode autonome (maitre): réglez la gradation et la vitesse du stroboscope (si nécessaire)
 - Mode maitre/esclave: reliez plusieurs projecteurs ensemble, le premier projecteur contrôle les autres.
 - Contrôlé par 1 canal DMX: gradation
 - Contrôlé par 2 canaux DMX: gradation, stroboscope
- Sélection de la vitesse de réaction de la lampe: lampe halogène (lent) ou LED (rapide)
- 4 courbes de gradation: linéaire, logarithmique, anti-logarithmique, courbe S
- En cas de défaillance du DMX: présélectionnez si le projecteur doit garder la dernière commande ou si il doit passer en mode 'blackout'.
- Boîtier en aluminium partiellement extrudé, anodisé noir avec une solide attelle de suspension
- Entrées / sorties Neutrik PowerCon: chainage facile de plusieurs unités.
- Entrées/sorties DMX à 3 broches et à 5 broches pour un maximum de flexibilité
- Refroidissement forcé par ventilateur à très faible bruit
- Le porte-filtre peut être utilisé pour y poser des gélâtines de couleur

AVANT UTILISATION

- Avant d'utiliser cet appareil, vérifiez s'il n'a pas été endommagé durant le transport. En cas de dommages, n'utilisez pas l'appareil et consultez immédiatement votre revendeur.
- **Important** : Cet appareil est expédié de notre usine en parfait état et bien emballé. Il est absolument nécessaire que l'utilisateur suive strictement les instructions et les avertissements de sécurité se trouvant dans ce manuel. Tout dommage dû à une mauvaise manipulation n'est pas garanti. Le revendeur n'accepte aucune responsabilité pour tous les défauts et problèmes dus au non-respect de ce manuel.
- Conservez ce manuel dans un endroit sûr pour toute consultation future. Si vous vendez l'appareil, assurez-vous de joindre ce manuel.

Vérifiez le contenu :

Vérifiez que le carton contient les éléments suivants :

- Instructions d'utilisation
- BT-THEATRE 100EC MK2
- Câble d'alimentation PowerCON®

INSTRUCTIONS DE SÉCURITÉ :



CAUTION
RISK OF ELECTRIC SHOCK
DO NOT OPEN



ATTENTION : Pour réduire le risque de choc électrique, ne retirez pas le panneau supérieur. L'appareil ne contient aucun composant réparable par l'utilisateur. Confiez toute réparation à un personnel qualifié uniquement.



Le symbole de l'éclair à l'intérieur d'un triangle équilatéral est destiné à alerter l'utilisateur de la présence de « tensions dangereuses » non isolées à l'intérieur de l'appareil, d'une magnitude pouvant constituer un risque d'électrocution.



Le symbole du point d'exclamation dans un triangle équilatéral sert à avertir l'utilisateur que d'importants conseils d'utilisation et de maintenance sont fournis dans la documentation accompagnant l'appareil.



Ce symbole signifie : pour usage intérieur uniquement



Ce symbole signifie : Lisez les instructions



Ce symbole définit : la distance minimale requise avec les objets éclairés. La distance minimale entre la sortie de lumière et la surface éclairée doit être supérieure à un 1 mètre



Cet appareil n'est pas adapté pour un montage direct sur des surfaces normalement inflammables. (ne convient que pour le montage sur surfaces non combustibles)

RISK GROUP 2
CAUTION:
Do not stare at operating lamp

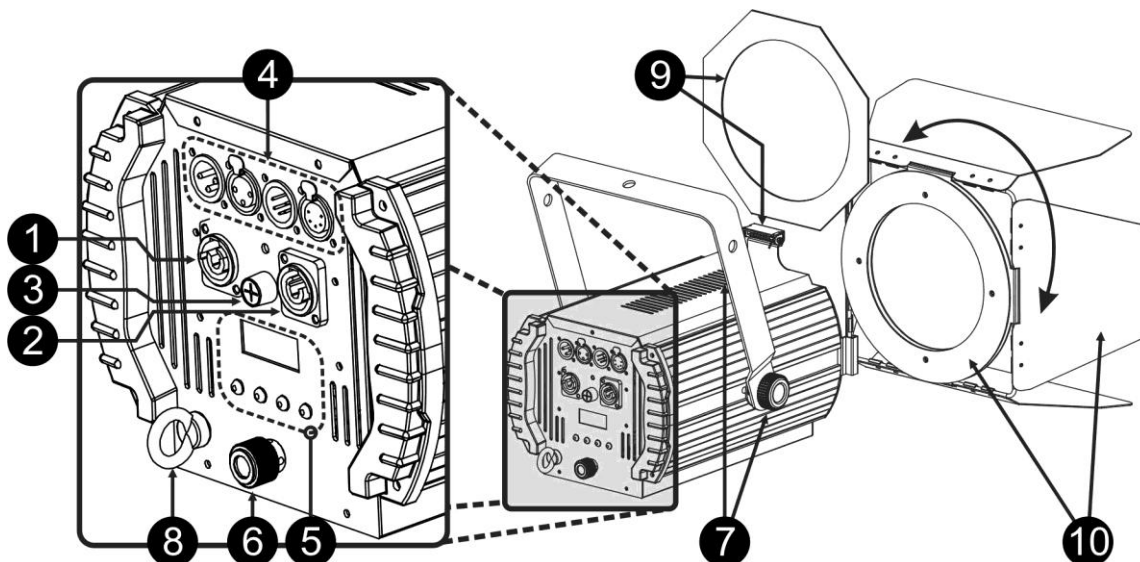
ATTENTION : Ne fixez pas votre regard sur une lampe allumée.
Peut être nocif pour les yeux.

- Pour protéger l'environnement, essayez de recycler autant que possible les matériaux d'emballage.
- Pour éviter une formation de condensation interne, laissez l'appareil s'adapter à la température ambiante quand vous le mettez dans une pièce chaude après le transport. La condensation empêche parfois l'appareil de fonctionner à plein rendement ou peut même causer des dommages.
- Ne placez pas d'objets métalliques et ne renversez pas de liquides à l'intérieur de l'appareil. Un choc électrique ou un dysfonctionnement peut en résulter. Si un corps étranger pénètre dans l'appareil, débranchez immédiatement le cordon d'alimentation de la prise secteur.
- Placez l'appareil dans un endroit bien aéré, loin de tout matériau et/ou liquide inflammable. L'appareil doit être fixé à au moins 50 cm des murs environnants.
- Ne couvrez pas les ouvertures de ventilation, cela pourrait entraîner une surchauffe.
- Évitez une utilisation dans des environnements poussiéreux et nettoyez l'appareil régulièrement.
- Gardez l'appareil loin de la portée des enfants.
- Les personnes inexpérimentées ne doivent pas utiliser cet appareil.
- La température ambiante de fonctionnement maximale est de 40°C. N'utilisez pas cet appareil à des températures ambiantes plus élevées.
- Assurez-vous qu'aucune personne étrangère ne se trouve dans la zone en dessous de l'emplacement d'installation durant le montage, le démontage et l'entretien.
- Laissez environ 10 minutes à l'appareil pour refroidir avant de commencer l'entretien.
- Débranchez toujours l'appareil lorsqu'il ne va pas être utilisé pendant une longue période ou avant de commencer l'entretien.
- L'installation électrique doit être effectuée par du personnel qualifié, conformément à la réglementation en matière de sécurité électrique et mécanique dans votre pays.
- Vérifiez que la tension secteur n'est pas supérieure à celle indiquée sur l'appareil.
- Le cordon d'alimentation doit toujours être en parfait état. Éteignez immédiatement l'appareil dès que le cordon d'alimentation est écrasé ou endommagé. Il doit être remplacé par le fabricant, son agent de service ou une personne de même qualification afin d'éviter tout danger.
- Ne laissez jamais le cordon d'alimentation entrer en contact avec d'autres câbles !
- Ce luminaire doit être mis à la terre pour être conforme à la réglementation en matière de sécurité.
- Ne connectez pas l'appareil à un variateur de lumière.
- Utilisez toujours un câble de sécurité approprié et certifié lors de l'installation de l'appareil.
- Afin d'éviter un choc électrique, n'ouvrez aucun panneau. L'appareil ne contient aucun composant réparable par l'utilisateur.
- Ne réparez **jamais** un fusible et ne court-circuitiez jamais le porte-fusible. Remplacez **toujours** un fusible endommagé par un fusible du même type ayant les mêmes spécifications électriques !
- En cas de sérieux problèmes de fonctionnement, cessez d'utiliser l'appareil et contactez immédiatement votre revendeur.

- Le boîtier et l'objectif doivent être remplacés s'ils sont visiblement endommagés.
- Utilisez l'emballage d'origine pour transporter l'appareil.
- Pour des raisons de sécurité, il est interdit d'apporter des modifications non autorisées à l'appareil.

Important : Ne regardez jamais directement la source de lumière ! N'utilisez pas le jeu de lumière en présence de personnes souffrant d'épilepsie.

DESCRIPTION :



1. **TENSION D'ENTREE :** équipé de pièces d'origine Neutrik PowerCON®. Branchez le câble d'alimentation fourni ou tout câble de rallonge PowerCon® ici.
2. **SORTIE SECTEUR :** utilisé pour connecter en série l'alimentation de plusieurs autres projecteurs. Faites toujours attention à la charge maximale, lors de l'ajout d'autres projecteurs ! Des câbles multiples (PowerCON® + DMX XLR, sont disponibles en option : reportez-vous à notre site internet !)
3. **FUSIBLE SECTEUR :** protège l'appareil en cas de problèmes électriques, utilisez toujours un fusible du type recommandé !
4. **ENTREE/SORTIE DMX PROJECTEUR :** des entrées/sorties 3 et 5 broches sont disponibles pour la connexion en série du projecteur avec d'autres unités qui seront contrôlées par un contrôleur DMX.
5. **AFFICHEUR ET TOUCHES :** Afficheur à cristaux liquides alphanumérique rétroéclairé et touches tactiles étanches pour sélectionner les différentes options dans le menu de configuration :
 - Touche « MENU » : pour parcourir les différentes options de menu ou pour quitter une option de menu.
 - Touche « DOWN » : pour passer à l'option de menu suivante ou pour diminuer la valeur d'un paramètre.
 - Touche « UP » : pour passer à l'option de menu précédente ou pour augmenter la valeur d'un paramètre.
 - Touche « ENTER » : pour sélectionner une option de menu ou valider un réglage.
6. **BOUTON FOCUS :** permet de régler l'angle de faisceau entre 10 ° et 50 °.
7. **SUPPORTS DE SUSPENSION :** avec verrous sur les deux côtés pour fixer l'unité.
8. **ORIFICE DE SÉCURITÉ :** utilisé pour attacher un câble de sécurité au cours du levage de l'appareil, reportez-vous au paragraphe « Montage au plafond ».
9. **PORTE-FILTRE :** est utilisé pour tenir les gélamines de couleur en face de l'objectif. Le clip supérieur est utilisé pour maintenir le porte-filtre en place.
10. **COUPE-FLUX :** il permet de définir la forme du faisceau de lumière du projecteur et évite la dispersion des réflexions non désirées de la lentille Fresnel autour du projecteur. Vous pouvez tourner le coupe-flux dans la position souhaitée.

MONTAGE AU PLAFOND

- **Important :** L'installation ne doit être effectuée que par un personnel qualifié. Une mauvaise installation peut entraîner des blessures et/ou dommages graves. Un montage au plafond exige une grande expérience ! Les limites de charge de fonctionnement doivent être respectées, des matériels d'installation certifiés doivent être utilisés, l'appareil installé doit être inspecté régulièrement pour vérifier les conditions de sécurité.
- Assurez-vous qu'aucune personne étrangère ne se trouve dans la zone en dessous de l'emplacement d'installation durant le montage, le démontage et l'entretien.
- Fixez l'appareil dans un endroit bien aéré, loin de tout matériau et/ou liquide inflammable. L'appareil doit être fixé à **au moins 50 cm** des murs environnants.
- L'appareil doit être installé hors de portée des personnes, loin des passages et des endroits où des personnes peuvent aller et venir, ou s'asseoir.
- Avant de lever l'appareil, assurez-vous que le point de suspension peut supporter une charge d'au moins 10 fois le poids de l'appareil.
- Lors de l'installation de l'appareil, utilisez toujours un câble de sécurité certifié qui peut supporter 12 fois le poids de l'appareil. Ce support de suspension de sécurité secondaire doit être installé de manière à ce qu'aucune partie de l'installation ne puisse tomber de plus de 20 cm si le support principal lâche.
- L'appareil doit être bien fixé, un montage balançant est dangereux et ne doit pas être envisagé !
- Ne couvrez pas les ouvertures de ventilation, cela pourrait entraîner une surchauffe.
- L'opérateur doit s'assurer que la sécurité relative à l'installation et les conditions techniques sont approuvées par un expert avant d'utiliser l'appareil pour la première fois. Les installations doivent être inspectées chaque année par une personne qualifiée pour être sûr que la sécurité est toujours optimale.



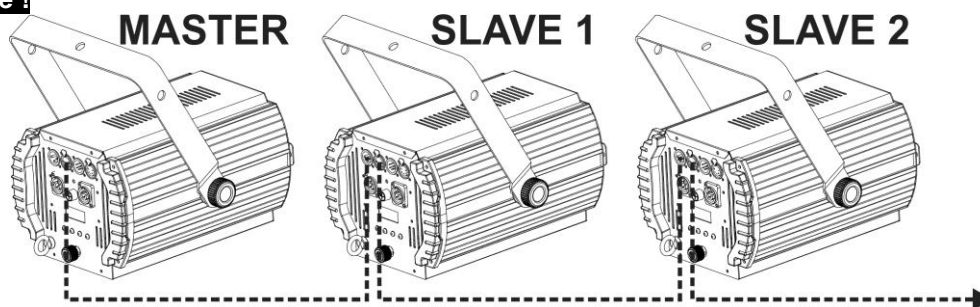
INSTALLATION ÉLECTRIQUE + ADRESSAGE

⚠ Important : L'installation électrique doit être effectuée par du personnel qualifié, conformément à la réglementation en matière de sécurité électrique et mécanique dans votre pays.

Mode Maître/Esclave :

Connectez ensemble les projecteurs comme indiqué sur le schéma. Veuillez consulter le paragraphe « MENU DE CONFIGURATION » pour configurer l'unité maître. Vous pouvez également activer la télécommande IR sur l'unité maître et utiliser la télécommande IR incluse. Tous les unités esclave doivent être réglées en mode ESCLAVE. Le nombre d'unité esclave est limité uniquement par la consommation électrique totale de la chaîne qui est fixée à 10 A (2300 W).

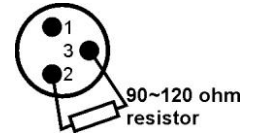
IMPORTANT : vérifiez qu'aucun contrôleur DMX ne soit connecté, il en résulterait un comportement imprévisible !



Installation électrique de deux ou plusieurs unités en mode DMX :

- Le protocole DMX est largement utilisé pour contrôler des équipements lumineux multifonctions au moyen d'un signal à haute vitesse. Vous devez « mettre en cascade » votre contrôleur DMX et toutes les unités connectées.
- Utilisez le câble adaptateur d'entrée DMX (câble IP vers XLR mâle) fourni pour connecter la première unité de la chaîne au contrôleur.
- Disposition du connecteur XLR à 3 broches : Broche 1 = terre ~ Broche 2 = signal négatif (-) ~ Broche 3 = signal positif (+)
- Disposition du XLR 5 broches : Broche 1 = terre ~ Broche 2 = signal négatif (-) ~ Broche 3 = signal positif (+) ~ Broche 4+5 non utilisées.

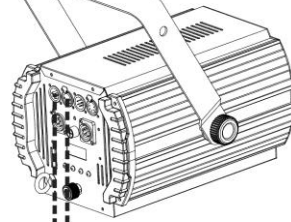
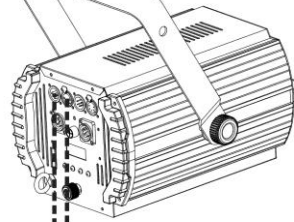
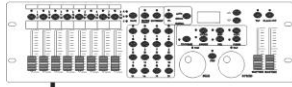
- Pour éviter un comportement anormal des effets de lumière, à cause des interférences, vous devez utiliser un terminateur de 90 à 120 Ω à la fin de la chaîne. N'utilisez jamais de séparateurs de câbles en Y, cela ne fonctionne pas !



DMX CONTROLLER

SLAVE 1

SLAVE 2



- Assurez-vous que toutes les unités sont branchées au secteur.
- Chaque unité dans la chaîne doit avoir sa propre adresse de début afin qu'elle sache quelles sont les commandes du contrôleur à décoder. Dans la section suivante, vous allez apprendre comment définir les adresses DMX.

COMMENT CONFIGURER :

Pour les deux modèles, tous les points abordés sont identiques à l'exception des messages affichés : le texte affiché est indiqué sur la partie gauche.

- Pour sélectionner n'importe quelle fonction, appuyez sur la touche MODE jusqu'à ce que la fonction nécessaire apparaisse à l'écran ou utilisez les touches « DOWN » et « UP » pour parcourir le menu.
- Utilisez la touche « ENTER » pour sélectionner la fonction.
- Utilisez les touches UP/DOWN pour modifier la valeur.
- Une fois la valeur voulue sélectionnée, appuyez sur la touche « ENTER » pour valider.

ADRESSE DMX

Pour régler l'adresse DMX souhaitée.

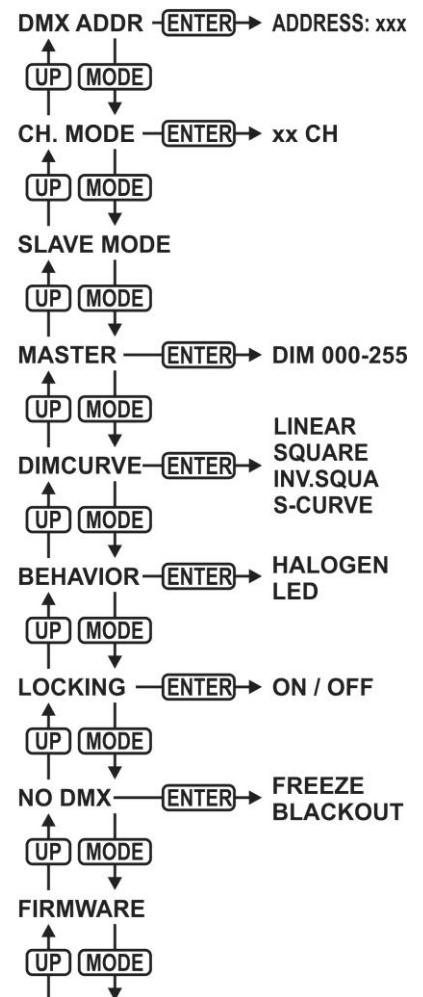
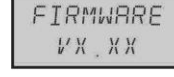
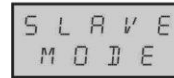
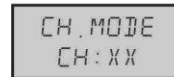
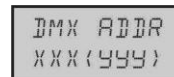
- Appuyez sur la touche MODE jusqu'à ce que la fonction souhaitée s'affiche sur l'écran.
- Appuyez sur la touche « ENTER » : les valeurs sont à présent modifiables
- Utilisez les touches « DOWN » et « UP » pour sélectionner l'adresse DMX512 souhaitée. La dernière adresse DMX utilisée est également affichée : il sera plus facile de régler l'adresse de l'unité suivante dans la chaîne.
- Une fois que l'adresse correcte s'affiche à l'écran, appuyez sur la touche « ENTER » pour l'enregistrer.

Remarque : sur les contrôleurs compatibles RDM, cette option est aussi configurable à distance.

MODE CANAL

Pour régler le mode de canal souhaité.

- Appuyez sur la touche MODE jusqu'à ce que la fonction souhaitée s'affiche sur l'écran.
- Appuyez sur la touche « ENTER » : les valeurs sont à présent modifiables
- Utilisez les touches « DOWN » et « UP » pour sélectionner le mode souhaité :
 - **CH:01** gradateur
 - **CH:02** Gradateur + effet stroboscopique
- Une fois que l'option souhaitée s'affiche à l'écran, appuyez sur la touche « ENTER » pour l'enregistrer.



Remarque : sur les contrôleurs compatibles RDM, cette option est aussi configurable à distance.

MODE ESCLAVE

Pour placer le projecteur en mode maître/esclave.

- Appuyez sur la touche MODE jusqu'à ce que « SLAVE MODE » s'affiche à l'écran.

GRADATEUR MAÎTRE

Pour régler le gradateur maître en cas d'utilisation en unité maître.

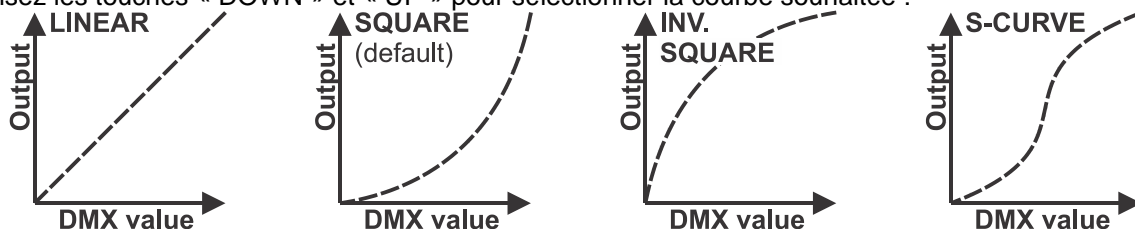
- Appuyez sur la touche MODE jusqu'à ce que la fonction souhaitée s'affiche sur l'écran.
- Appuyez sur la touche « ENTER » : les valeurs sont à présent modifiables
- Utilisez les touches « DOWN » et « UP » pour sélectionner le niveau souhaité pour le gradateur maître. (veuillez noter que la dernière couleur fixe sélectionnée sera utilisée pour régler la valeur)
- Une fois le niveau souhaité obtenu, appuyez sur la touche « ENTER » pour l'enregistrer.

Remarque : le réglage de cette option n'a AUCUN effet quand le projecteur est utilisé en ESCLAVE ou en mode DMX.

COURBE DE GRADATION

Pour régler la courbe de gradation du gradateur maître.

- Appuyez sur la touche MODE jusqu'à ce que la fonction souhaitée s'affiche sur l'écran.
- Appuyez sur la touche « ENTER » : les valeurs sont à présent modifiables
- Utilisez les touches « DOWN » et « UP » pour sélectionner la courbe souhaitée :



- Une fois la courbe souhaitée obtenue, appuyez sur la touche « ENTER » pour l'enregistrer.

COMPORTEMENT EN MODE LAMPE

Pour sélectionner le temps de réaction du projecteur.

- Appuyez sur la touche MODE jusqu'à ce que la fonction souhaitée s'affiche sur l'écran.
- Appuyez sur la touche « ENTER » : les valeurs sont à présent modifiables
- Utilisez les touches « DOWN » et « UP » pour sélectionner le mode souhaité :
 - LED** Le projecteur suit immédiatement les instructions sans délai.
 - HALOGEN** Le projecteur imite le comportement d'une lampe halogène (temps de réaction plus faible).
- Une fois que l'option souhaitée s'affiche à l'écran, appuyez sur la touche « ENTER » pour l'enregistrer.

MODE DE VERROUILLAGE

Pour verrouiller le menu de configuration contre des modifications indésirables des réglages.

- Appuyez sur la touche MODE jusqu'à ce que la fonction souhaitée s'affiche sur l'écran.
- Appuyez sur la touche « ENTER » : les valeurs sont à présent modifiables
- Utilisez les touches « DOWN » et « UP » pour sélectionner le mode souhaité :
 - OFF** Le menu de configuration peut être utilisé à tout moment.
 - ON** Après un court laps de temps, le menu de configuration est verrouillé automatiquement, l'afficheur indique « LOCKED ***** ». Déverrouillez l'afficheur en appuyant sur les touches suivantes dans l'ordre donné : **UP, DOWN, UP, DOWN, ENTER**.
- Une fois que l'option souhaitée s'affiche à l'écran, appuyez sur la touche « ENTER » pour l'enregistrer.

COMPORTEMENT SANS DMX

Pour régler la façon dont le projecteur réagit si le signal DMX vient à manquer soudainement.

- Appuyez sur la touche MODE jusqu'à ce que la fonction souhaitée s'affiche sur l'écran.
- Appuyez sur la touche « ENTER » : les valeurs sont à présent modifiables
- Utilisez les touches « DOWN » et « UP » pour sélectionner le mode souhaité :
 - BLACKOUT** L'éclairage est éteint si aucun DMX n'est détecté.
 - FREEZE** le projecteur utilise le dernier signal DMX valide.

- Une fois que l'option souhaitée s'affiche à l'écran, appuyez sur la touche « ENTER » pour l'enregistrer.
Remarque : dès que l'entrée détecte un signal DMX, les modes « tout éteint » ou « maintien » sont abandonnés.

VERSION DU MICROLOGICIEL

Pour afficher la version actuelle du micrologiciel.

- Appuyez sur la touche « MODE » jusqu'à ce que « FIRMWARE » s'affiche à l'écran.

Le micrologiciel de cet appareil peut être mise à niveau à l'aide d'un outil spéciale de mise à niveau sous le système d'exploitation Windows®. (disponible séparément auprès de Briteq).

Chaque fois que le projecteur est allumé, l'afficheur indique « UPDATE Wait... » : alors que ce message est affiché, vous pouvez réaliser la mise à niveau à l'aide de l'outil spécial de mise à niveau. Pour plus d'informations sur cette fonctionnalité, consultez le mode d'emploi de l'outil de mise à niveau et/ou notre site Web : www.briteq-lighting.com

FONCTIONS RDM / CONFIGURATION A DISTANCE

RDM signifie « Remote Device Management » (gestion des appareils à distance). Ce projecteur fonctionne avec une brève série de fonctions RDM, cela signifie qu'il peut établir une communication bidirectionnelle avec un contrôleur DMX compatible RDM. Certaines de ces fonctions sont brièvement expliquées ci-dessous, d'autres le seront dans le futur.

- Le contrôleur DMX envoie une commande de détection « discovery » ; tous les appareils RDM réagissent en envoyant leur identifiant de dispositif unique.
- Le contrôleur DMX demande à chaque appareil RDM d'envoyer certaines données de base afin de déterminer les appareils connectés. Le projecteur répondra :
 - **Nom de l'appareil :** le nom actuel de l'unité
 - **Fabricant :** Briteq®
 - **Catégorie :** Gradateur LED
 - **Micrologiciel :** x.x.x.x (version du micrologiciel du projecteur)
 - **Adresse DMX :** xxx (adresse de début DMX actuelle du projecteur)
 - **Empreinte DMX :** xx (nombre de canaux DMX utilisés par le projecteur)
 - **Personnalité :** xx (personnalité actuelle [ou mode de fonctionnement DMX] utilisé par les projecteurs)
- Le contrôleur DMX peut envoyer certaines commandes à chaque appareil RDM qui permettent la configuration à distance des unités. Grâce à celles-ci, les projecteurs peuvent être configurés à distance.

Les fonctions suivantes peuvent être gérées à distance :

Plus besoin d'échelle pour monter et régler les unités une par une !

- **ADRESSE DMX DE DÉBUT :** L'adresse de début peut être réglée à distance entre 001 et xxx.
- **PERSONNALITÉ :** Le mode de fonctionnement DMX (tableaux DMX) peut être réglé à distance.

Ces 2 fonctions permettent de préparer un raccordement DMX complet de tous les projecteurs sur le contrôleur DMX et envoyer ces données à tous les projecteurs à la fois. D'autres fonctions seront disponibles ultérieurement.

INSTRUCTIONS D'UTILISATION

Remarque : À la mise sous tension du projecteur, l'écran affiche « UPDATE WAIT... » Ce message vous indique que, si vous souhaitez effectuer la mise à niveau, vous devez le faire alors que ce message est affiché sur l'écran. Ignorez complètement ce message en utilisation normale.

A. Une seule unité autonome :

- Il suffit de brancher le projecteur au secteur.
- Sélectionnez l'option de menu « MASTER » pour définir l'intensité lumineuse souhaitée.
- Consultez le chapitre COMMENT CONFIGURER pour régler les autres options de menu.

B. Configuration de deux ou plusieurs unités en maître/esclave :

- Connectez ensemble toutes les unités. Reportez-vous au chapitre « Installation électrique » pour les opérations à suivre.
- Sélectionnez l'option de menu « MASTER » pour régler l'intensité lumineuse souhaitée sur l'unité maître (le premier projecteur dans la chaîne DMX)

- Mettez tous les autres projecteurs en mode ESCLAVE
- Les projecteurs suivront à présent les réglages du projecteur maître pour qu'ils fonctionnent de façon synchrone.

C. Commandé par le contrôleur DMX universel :

- Connectez ensemble toutes les unités. Reportez-vous au chapitre « Installation électrique de deux ou plusieurs unités en mode DMX » pour les opérations à suivre (n'oubliez pas de définir correctement les adresses de toutes les unités !)
- Branchez toutes les unités au secteur et allumez le contrôleur DMX.

Étant donné que chaque unité possède sa propre adresse DMX, vous pouvez les contrôler individuellement. N'oubliez pas que chaque unité utilise un nombre différent de canaux DMX, selon le mode DMX sélectionné dans le menu. Reportez-vous aux différents tableaux DMX ci-dessous :

Mode DMX 1 canal : gradateur

Canal :	Valeur :	Fonction :	Remarques
1	000-255	Gradateur (0-100%)	

Mode DMX 2 canaux : gradateur + effet stroboscopique

Canal :	Valeur :	Fonction :	Remarques
1	000-255	Gradateur (0-100%)	
2	000-005	Pas de strobe	
	000-255	effet stroboscopique (0-100%)	

ENTRETIEN

- Assurez-vous qu'aucune personne étrangère ne se trouve dans la zone en dessous de l'emplacement d'installation durant l'entretien.
- Éteignez l'appareil, débranchez le câble secteur et attendez que l'appareil refroidisse.

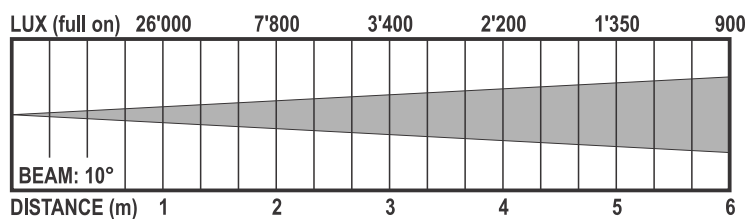
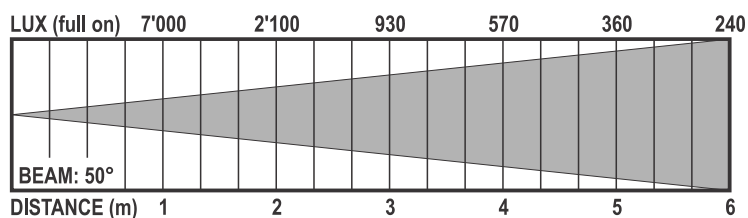
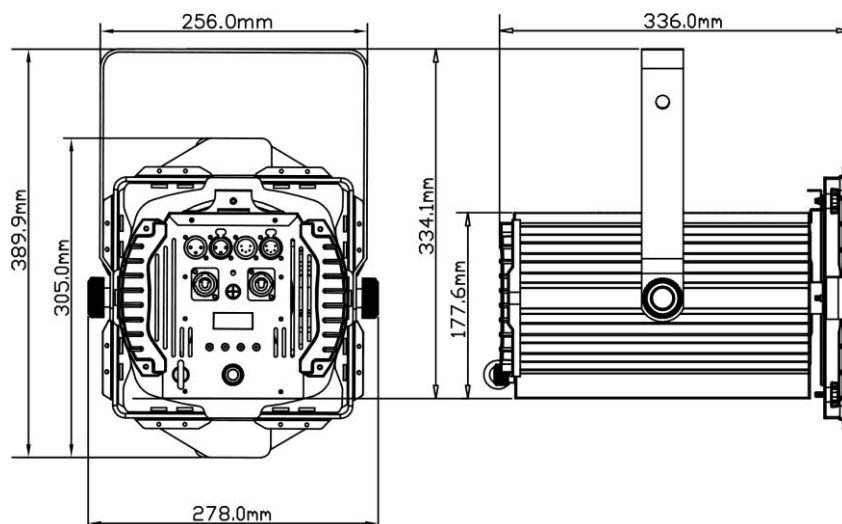
Lors de l'inspection, les points suivants doivent être vérifiés :

- Toutes les vis utilisées pour l'installation de l'appareil et chacun des composants doivent être solidement fixés et ne doivent pas être rouillés.
- Les boîtiers, les supports et les points d'installation (plafond, poutre, suspensions) ne doivent pas être déformés.
- Quand une lentille optique est visiblement endommagée en raison de fissures ou de rayures profondes, elle doit être remplacée.
- Les câbles d'alimentation doivent être dans un état impeccable et doivent être remplacés immédiatement même si un petit problème est détecté.
- Afin de protéger l'appareil de toute surchauffe, les ventilateurs de rafraîchissement (le cas échéant) et les ouvertures de ventilation doivent être nettoyés mensuellement.
- Le nettoyage des lentilles optiques et/ou miroirs internes et externes doit être effectué périodiquement pour optimiser le flux lumineux. La fréquence de nettoyage dépend de l'environnement dans lequel le projecteur est utilisé : des environnements humides, enfumés ou particulièrement sales peuvent causer l'accumulation de saleté sur l'optique de l'appareil.
 - Nettoyez avec un chiffon doux en utilisant des produits de nettoyage pour verre normal.
 - Séchez toujours les pièces soigneusement.

Attention : Nous vous conseillons fortement de faire effectuer le nettoyage interne par un personnel qualifié !

SPÉCIFICATIONS

Tension d'entrée :	110 - 240VAC, 50/60Hz
Consommation :	125 Watt max.
Fusible :	250V T2A (verre de 20mm)
Connexions DMX :	XLR 3 et 5 broches et mâle/femelle
Canaux DMX utilisés :	Canaux: 1 + 2
Lampe :	COB 100W blanc chaud, 3200K CRI = 85
Fréquence de rafraîchissement LED :	1200Hz
Angle de faisceau :	10° - 50°
Dimensions :	Voir dessin
Poids :	6,5kg



Les informations peuvent être modifiées sans préavis
 Vous pouvez télécharger la dernière version de ce manuel sur notre site Web :
www.briteq-lighting.com

GEBRUIKSAANWIJZING

Hartelijk dank voor de aankoop van dit Briteq[®] product. Lees voordat u dit apparaat in gebruik neemt deze gebruiksaanwijzing zorgvuldig door, om ten volle te kunnen profiteren van alle mogelijkheden en voor uw eigen veiligheid.

KENMERKEN

Dit apparaat is voorzien van onderdrukking voor radiostoring. Dit product voldoet aan de eisen van de huidige Europese en nationale richtlijnen. De conformiteit werd vastgesteld en de desbetreffende verklaringen en documenten zijn door de fabrikant gedeponneerd.

- Erg interessant geprijsde LED theater spot voorzien van een manuele 10° ~ 50° zoom.
- Niet enkel geschikt voor gebruik in theaters maar ook voor belichting in showrooms, winkels, beursstanden, verhuur firma's ...
- Met zijn krachtige 100W witte COB is dit een perfecte vervanger voor een traditionele 1000W halogeen theaterspot: max 7800 lux @ 2m (beam 10°)
- Geen dure en zware dimmerpacks meer nodig!
- De 3200K kleurtemperatuur en hoge CRI-waarde van 85 zorgen voor natuurlijke kleuren
- LCD-scherm voor het selecteren van meerdere werkingsmodi:
 - Zelfstandige (master) modus : instellen dimmer + strobe (indien nodig)
 - Master/slave modus: meerdere projectoren werken verbonden waarbij de eerste in de rij de anderen aanstuurt.
 - DMX-aansturing via 1kanaal: dimmer
 - DMX-aansturing via 2kanalen: dimmer + strobe
- Reactietijd van de lamp selecteerbaar: halogeen lamp (trage reacties), led (snelle reacties)
- Vier dimmer curves: Lineair, logaritmisch, anti-logaritmisch, S-kurve
- Bij wegvallen van DMX, keuze tussen: blackout of freeze modus (laatste stand onthouden)
- De behuizing is deels opgebouwd uit zwart geanodiseerd aluminium profiel, voorzien van een stevige ophangbeugel.
- Neutrik PowerCON in/uitgangen: eenvoudig doorlussen van verschillende eenheden.
- Beide 3-polige & 5-polige DMX-in/uitgangen voor maximale compatibiliteit.
- Zeer geluidsarme ventilatorcooling
- Filterhouder voor gebruik van kleurenfilters en barndoors inbegrepen

VÓÓR GEBRUIK

- Controleer het apparaat voordat u het in gebruik neemt op transportschade. Als er schade is, gebruik het apparaat dan niet en raadpleeg eerst uw dealer.
- **Belangrijk:** Dit apparaat verliet de fabriek in perfecte staat en goed verpakt. Het is absoluut noodzakelijk dat de gebruiker de veiligheidsinstructies en waarschuwingen in deze gebruiksaanwijzing strikt opvolgt. Eventuele schade veroorzaakt door verkeerde behandeling valt niet onder de garantie. De dealer neemt geen verantwoording voor eventuele fouten of problemen die worden veroorzaakt door het niet naleven van deze gebruiksaanwijzing.
- Bewaar dit boekje op een veilige plaats om het in de toekomst te kunnen raadplegen. Als u het armatuur koopt, voeg dan deze gebruiksaanwijzing bij.

Controleer de inhoud:

Controleer of de doos de volgende onderdelen bevat:

- Gebruiksaanwijzing
- BT-THEATRE 100EC MK2
- PowerCON[®] voedingskabel

VEILIGHEIDSINSTRUCTIES:



LET OP: Verwijder de bovenste afdekking niet, om het risico op elektrische schokken te verminderen. Er bevinden zich geen door de gebruiker te repareren onderdelen in het apparaat. Laat het onderhoud alleen door gekwalificeerd onderhoudspersoneel uitvoeren.



De bliksemschicht met pijlpunt in een gelijkzijdige driehoek is bedoeld om de gebruiker te waarschuwen voor de aanwezigheid van ongeïsoleerde "gevaarlijke spanning" binnen de behuizing van het apparaat, die van voldoende omvang is om een risico op elektrische schokken te vormen.



Het uitroepteken in een gelijkzijdige driehoek is bedoeld om de gebruiker te waarschuwen voor de aanwezigheid van belangrijke gebruiks- en onderhouds- (reparatie)aanwijzingen in de documentatie die bij dit apparaat is gevoegd.



Dit symbool betekent: alleen gebruik binnenshuis.



Dit symbool betekent: Lees de instructies.



Dit symbool bepaalt: de minimale afstand tot verlichte voorwerpen. De minimale afstand tussen de lichtbron en het verlichte oppervlak moet meer dan 1 meter zijn.



Het apparaat is niet geschikt voor directe montage op normaal brandbare oppervlakken. (alleen geschikt voor montage op onbrandbare oppervlakken.)



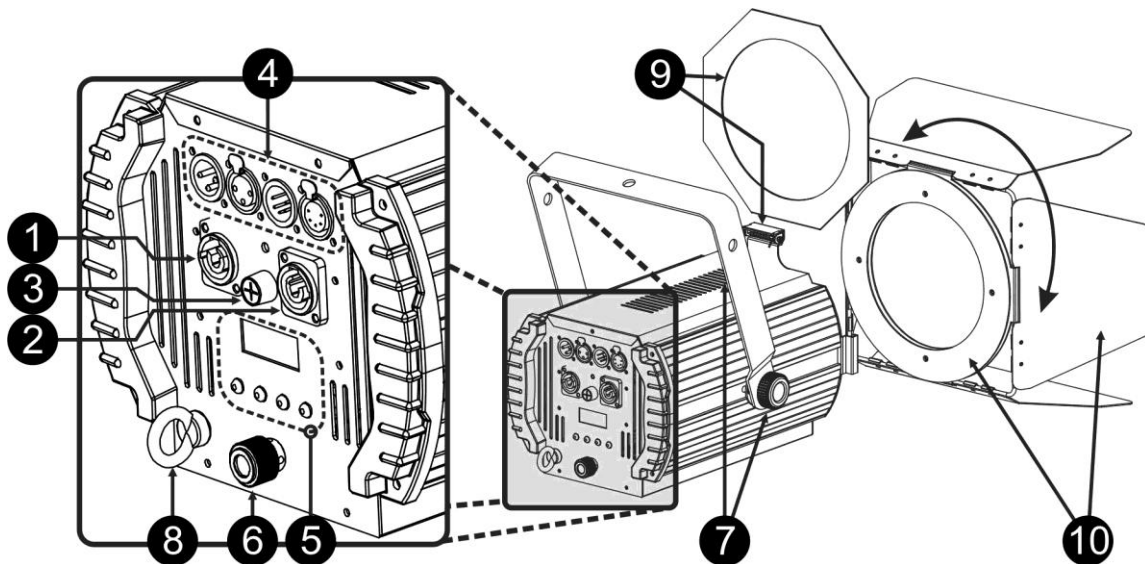
LET OP: Kijk niet naar een werkende lamp. Dit kan schadelijk zijn voor de ogen.

- Probeer ter bescherming van het milieu het verpakkingsmateriaal zoveel mogelijk te recyclen.
- Als het apparaat na transport in een warme ruimte wordt gebracht, wacht dan tot het is aangepast aan de omgevingstemperatuur, om te voorkomen dat er binnen het apparaat condens wordt gevormd. Condens kan soms verhinderen dat het apparaat op volle capaciteit werkt of kan zelfs schade veroorzaken.
- Zorg ervoor dat er geen metalen voorwerpen of vloeistoffen in het apparaat terechtkomen. Dit kan elektrische schokken of storing veroorzaken. Als er voorwerpen van buitenaf in het apparaat terechtkomen, haal dan onmiddellijk de stekker uit het stopcontact.
- Plaats het armatuur op een goed geventileerde plek, uit de buurt van brandbare materialen en/of vloeistoffen. Het armatuur moet op minstens 50 cm vanaf omringende muren worden bevestigd.
- Bedek geen ventilatieopeningen, omdat dit tot oververhitting kan leiden.
- Voorkom het gebruik in stoffige omgevingen en maak het apparaat regelmatig schoon.
- Houd het apparaat buiten het bereik van kinderen.
- Onervaren personen mogen dit apparaat niet bedienen.
- De maximale veilige omgevingstemperatuur is 40°C. Gebruik dit apparaat niet bij hogere omgevingstemperaturen.
- Zorg ervoor dat er zich tijdens takelen, onttakelen en onderhoud geen ongewenste personen bevinden in het gebied onder de installatieplaats.
- Laat het apparaat ongeveer 10 minuten afkoelen voordat u er onderhoud aan pleegt.
- Ontkoppel altijd het apparaat wanneer het voor een langere tijd niet wordt gebruikt of voordat er onderhoud aan wordt gepleegd.
- De elektrische installatie dient alleen door gekwalificeerd personeel en in overeenstemming met de voorschriften voor elektrische en mechanische veiligheid in uw land te worden uitgevoerd.
- Controleer of de beschikbare spanning niet hoger is dan op het apparaat is aangegeven.
- Het netsnoer dient altijd in perfecte staat te zijn. Schakel het apparaat onmiddellijk uit als het netsnoer is geplet of beschadigd. Het moet door de fabrikant, zijn vertegenwoordiger, of door een vergelijkbaar bevoegde persoon worden vervangen, om gevaar te vermijden.
- Laat het netsnoer nooit met andere kabels in contact komen!
- Dit armatuur moet worden geaard om aan de veiligheidsvoorschriften te voldoen.
- Sluit het apparaat niet aan op een dimmerpack.
- Gebruik bij het installeren van het apparaat altijd een geschikte en gecertificeerde veiligheidskabel.
- Open de afdekking niet, om elektrische schokken te voorkomen. Er bevinden zich geen door de gebruiker te repareren onderdelen in het apparaat.
- **Repareer** nooit een zekering en overbrug nooit de zekeringhouder. Vervang **altijd** een kapotte zekering met een zekering van hetzelfde type en met dezelfde elektrische specificaties!

- Stop in geval van ernstige problemen met de werking het gebruik van het armatuur en neem onmiddellijk contact op met uw dealer.
- De behuizing en de lenzen moeten worden vervangen als ze zichtbaar zijn beschadigd.
- Gebruik de originele verpakking als het apparaat dient te worden vervoerd.
- Het is om veiligheidsredenen verboden om ongeautoriseerde modificaties aan het apparaat aan te brengen.

Belangrijk: Kijk nooit rechtstreeks in de lichtbron! Gebruik het effect niet in aanwezigheid van personen die aan epilepsie lijden.

BESCHRIJVING:



- ENERGIEVOORZIENING:** uitgerust met originele Neutrik PowerCON®. Sluit de meegeleverde voedingskabel (of een willekeurige PowerCon® verlengkabel) hier aan.
- LICHTNETUITGANG:** gebruikt voor doorlussen om verschillende andere projectors van stroom te voorzien. Let altijd goed op de maximale belasting terwijl u projectors toevoegt! Speciale Multikabels (PowerCON® + DMX XLR-kabels zijn optioneel verkrijgbaar: zie onze website!)
- LICHTNETZEKERING:** beschermt het apparaat in geval van elektriciteitsproblemen, gebruik altijd de aanbevolen zekering!
- DMX IN/UIT:** beide 3-polige en 5-polige in/uitgangen zijn beschikbaar om de projector door te lussen met andere eenheden die door een DMX-controller worden aangestuurd.
- SCHERM & TOETSEN:** Alfanumeriek LCD-scherm met achterverlichting en waterdichte tiptoetsen voor het selecteren van de verschillende opties van het installatiemenu:
 - **MENU-toets:** wordt gebruikt om door de verschillende menuopties te bladeren of een menuoptie te verlaten.
 - **DOWN-toets:** wordt gebruikt om naar de volgende menuoptie te gaan of om de waarde van een parameter te verlagen.
 - **UP-toets:** wordt gebruikt om naar de vorige menuoptie te gaan of om de waarde van een parameter te verhogen.
 - **ENTER-toets:** wordt gebruikt om een menuoptie te selecteren of een instelling te bevestigen.
- FOCUS REGELING:** zorgt voor het afstellen van de openingshoek tussen 10° en 50°.
- OPHANGBEUGELS:** met aan beide zijden knoppen om het apparaat vast te zetten.
- VEILIGHEIDSOOG:** wordt gebruikt om een veiligheidskabel te bevestigen wanneer het apparaat wordt opgehangen. Zie paragraaf "Hijsen boven personen".
- FILTERHOUDER:** dient om kleurenfilters voor de projector te plaatsen. De clip bovenaan houdt de filterhouder op zijn plaats.
- BARNDOORS:** zorgen voor het gemakkelijk begrenzen van de lichtstraal. Zorgt tevens voor het verminderen van valse lichtreflecties veroorzaakt door de Fresnel lens. De barndoors kunnen eenvoudig in de gewenste positie worden gezet.

HOOG HIJSEN

- **Belangrijk:** De installatie mag alleen door gekwalificeerd onderhoudspersoneel worden uitgevoerd. Onjuiste installatie kan leiden tot ernstig letsel en/of schade aan goederen. Hoog hijsen vereist veel ervaring! Belastinglimieten dienen in acht te worden genomen; er dienen gecertificeerde installatiematerialen te worden gebruikt; het geïnstalleerde apparaat dient regelmatig te worden gecontroleerd op veiligheid.
- Zorg ervoor dat er zich tijdens takelen, onttakelen en onderhoud geen ongewenste personen bevinden in het gebied onder de installatieplaats.
- Plaats het armatuur op een goed geventileerde plek, uit de buurt van brandbare materialen en/of vloeistoffen. Het armatuur moet op **minstens 50 cm** vanaf omringende muren worden bevestigd.
- Het apparaat dient buiten het bereik van mensen en buiten de gebieden waar personen kunnen lopen of zitten te worden geïnstalleerd.
- Controleer voor het hijsen of de installatieplek een minimale puntbelasting van 10 keer het gewicht van het apparaat kan dragen.
- Gebruik bij het installeren van het apparaat altijd een gecertificeerde veiligheidskabel die 12 keer het gewicht van het apparaat kan dragen. Deze secundaire veiligheidsbevestiging dient op een zodanige wijze te worden geïnstalleerd dat er geen enkel onderdeel van de installatie meer dan 20 cm kan vallen als de hoofdbevestiging het begeeft.
- Het apparaat dient goed te worden bevestigd; een vrij slingerende montage is gevaarlijk en mag niet worden overwogen!
- Bedek geen ventilatieopeningen, omdat dit tot oververhitting kan leiden.
- De exploitant moet ervoor zorgen dat de veiligheidgerelateerde en machinetechnische installaties door een deskundige zijn goedgekeurd voordat deze voor de eerste keer in gebruik worden genomen. De installaties dienen jaarlijks door een vakman te worden geïnspecteerd, om er zeker van te zijn dat de veiligheid nog steeds optimaal is.



ELEKTRISCHE INSTALLATIE + ADRESSERING

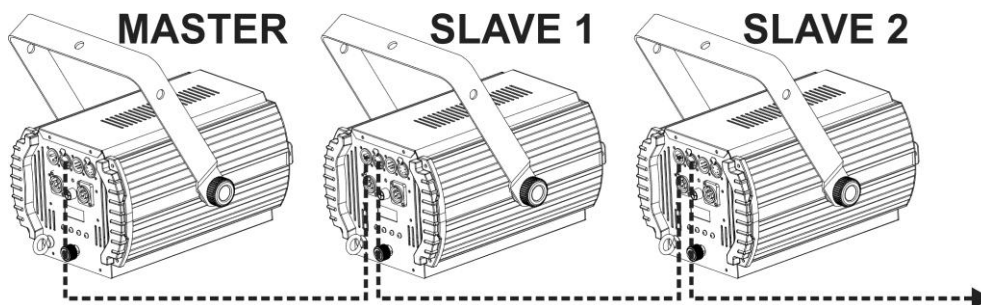


Belangrijk: De elektrische installatie dient alleen door gekwalificeerd personeel en in overeenstemming met de voorschriften voor elektrische en mechanische veiligheid in uw land te worden uitgevoerd.

Master/Slave-modus:

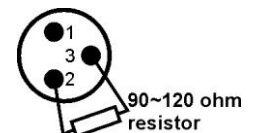
Sluit de projectors op elkaar aan, zoals in de tekening is aangegeven. Zie voor het installeren van de master de paragraaf "INSTALLATIEMENU". U kunt ook de schakelaar voor de IR-afstandsbediening op de master op AAN zetten en de meegeleverde IR-afstandsbediening gebruiken. Alle slaves dienen te worden ingesteld in de SLAVE-modus. U kunt net zoveel slaves gebruiken als u wilt, onder de voorwaarde dat het totale stroomverbruik over de voedingskabel minder bedraagt dan 10 A (2300 W).

BELANGRIJK: zorg ervoor dat er geen DMX-controller is aangesloten. Dit heeft onverwacht gedrag tot gevolg!



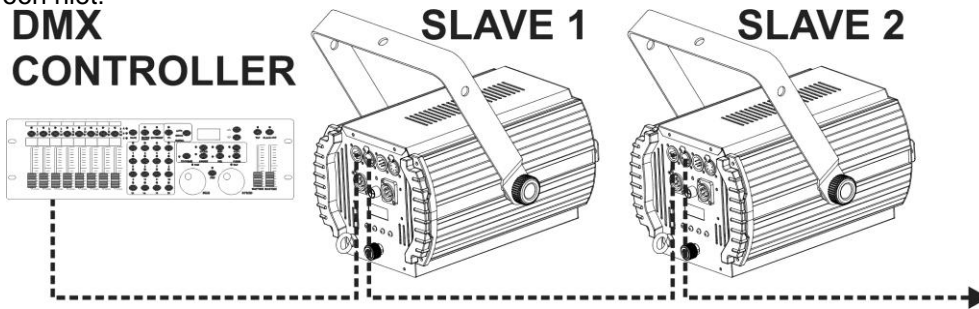
Elektrische installatie voor twee of meer eenheden in de DMX-modus:

- Het DMX-protocol is een veel gebruikt hogesnelheidssignaal om intelligente lichtapparatuur aan te sturen. U dient uw DMX-controller en alle aangesloten apparaten door te koppelen.
- Gebruik de meegeleverde DMX-ingang verloopkabel (IP-bekabeling naar XLR-mannelijk) om het eerste apparaat in de keten op de controller aan te sluiten.
- Penbezetting XLR-3-pens: Pen1 = AARDE ~ Pen2 = Negatief signaal (-) ~ Pen3 =



Positief signaal (+)

- Pinbezetting XLR-5-pins: Pin1 = GND ~ Pin2 = Negatief signaal (-) ~ Pin3 = Positief signaal (+) ~ Pinnen 4+5 niet gebruikt.
- Ter voorkoming van vreemd gedrag van de lichteffecten als gevolg van storingen, dient er aan het eind van de keten een terminator van 90 Ω tot 120 Ω te worden gebruikt. Gebruik nooit Y-splitter-kabels, dit werkt gewoon niet!



- Zorg ervoor dat alle apparaten op het lichtnet zijn aangesloten.
- Elk apparaat in de keten heeft het juiste startadres nodig, zodat het weet welke commando's van de controller het moet decoderen. In de volgende paragraaf leert u hoe u de DMX-adressen kunt instellen.

HOE IN TE STELLEN:

Alle punten zijn identiek voor beide modellen, behalve voor de schermberichten: de schermen worden aan de linkerkant weergegeven.

- Druk om een menuoptie te selecteren net zolang de toets MODE totdat de gewenste optie op het scherm wordt weergegeven, of gebruik de toetsen NEER en OP om door het menu te bladeren menu.
- Selecteer de functie met de toets ENTER.
- Gebruik de toetsen UP/DOWN om de waarden te wijzigen.
- Druk wanneer de gewenste waarde is geselecteerd de toets ENTER om hem te bevestigen.

DMX-ADRES

Wordt gebruikt om het gewenste DMX-adres in te stellen:

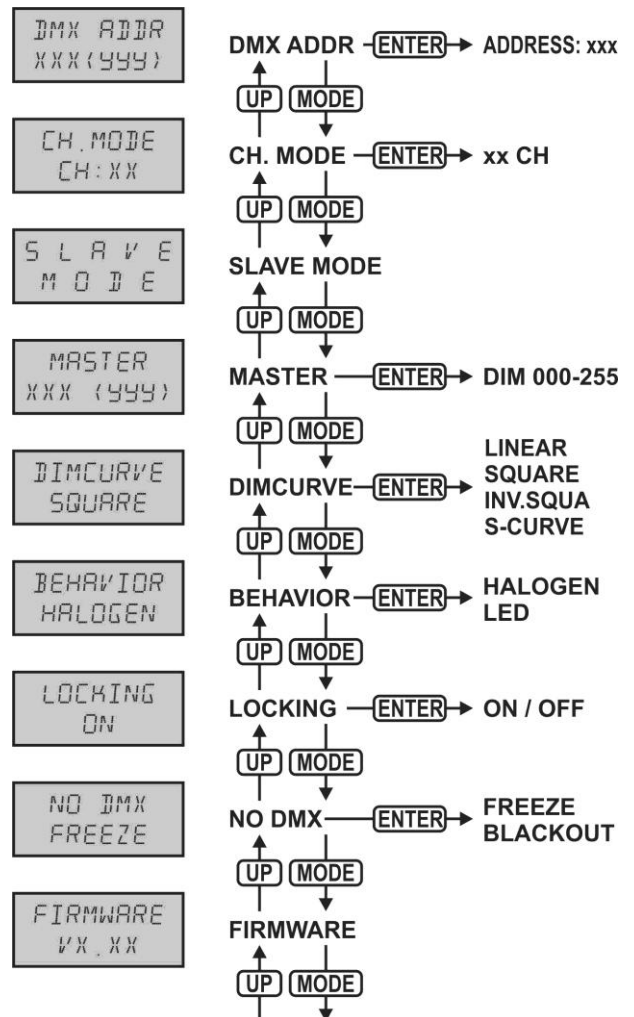
- Druk de toets MODE totdat de gewenste functie op het scherm wordt weergegeven.
- Druk de toets ENTER: de waarden kunnen worden gewijzigd.
- Gebruik de toetsen DOWN en UP om het gewenste DMX512-adres in te stellen: Het laatstgebruikte DMX-adres wordt ook weergegeven: dit maakt het gemakkelijker om het adres van het volgende apparaat in de keten in te stellen.
- Druk zodra het juiste adres op het scherm wordt weergegeven de ENTER-toets om het op te slaan.

Opmerking: op RDM-compatibele controllers kan deze optie ook op afstand worden ingesteld.

KAN.MODUS

Wordt gebruikt om de gewenste kanaalmodus in te stellen.

- Druk de toets MODE totdat de gewenste functie op het scherm wordt weergegeven.
- Druk de toets ENTER: de waarden kunnen worden gewijzigd.
- Gebruik de toetsen DOWN en UP om de gewenste modus in te stellen:
 - CH:01 dimmer.
 - CH:02 Dimmer + stroboscoop



- Druk zodra de juiste optie op het scherm wordt aangegeven de toets ENTER om hem op te slaan.
- Opmerking:** op RDM-compatibele controllers kan deze optie ook op afstand worden ingesteld.

SLAVEMODUS

Wordt gebruikt om de projector in de installatie voor master/slave als slave in te stellen.

- Druk op de toets MODE totdat er SLAVE MODE op het scherm wordt weergegeven.

MASTER DIMMER

Wordt gebruikt om de master dimmer in te stellen als hij als master wordt gebruikt.

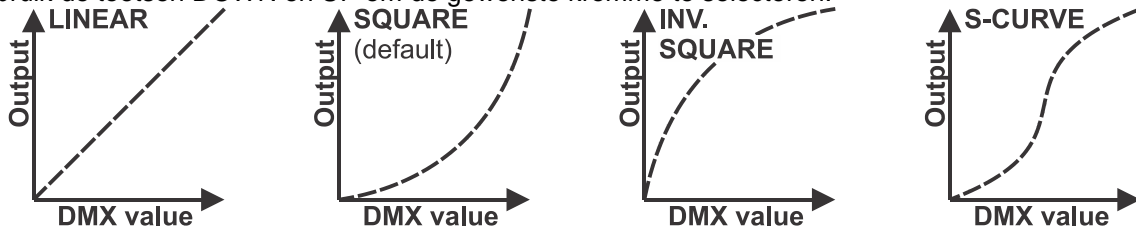
- Druk de toets MODE totdat de gewenste functie op het scherm wordt weergegeven.
- Druk de toets ENTER: de waarden kunnen worden gewijzigd.
- Gebruik de toetsen DOWN en UP om het gewenste niveau voor de master dimmer in te stellen: (merk op dat de laatst geselecteerde statische kleur wordt gebruikt om de waarde in te stellen)
- Druk zodra u het gewenste niveau hebt de toets ENTER om het op te slaan.

Opmerking: de instelling van deze optie heeft GEEN invloed als de projector als SLAVE of in de DMX-modus wordt gebruikt.

DIMMERKROMME

Wordt gebruikt om de dimmerkromme van de master dimmer in te stellen.

- Druk de toets MODE totdat de gewenste functie op het scherm wordt weergegeven.
- Druk de toets ENTER: de waarden kunnen worden gewijzigd.
- Gebruik de toetsen DOWN en UP om de gewenste kromme te selecteren:



- Druk zodra u de gewenste kromme hebt de toets ENTER om hem op te slaan.

GEDRAG VAN DE LAMP

Wordt gebruikt om de reactietijd van de projector te selecteren.

- Druk de toets MODE totdat de gewenste functie op het scherm wordt weergegeven.
- Druk de toets ENTER: de waarden kunnen worden gewijzigd.
- Gebruik de toetsen DOWN en UP om de gewenste modus in te stellen:
 - **LED** De projector voert de instructies direct, zonder vertraging uit.
 - **HALOGEN** De projector imiteert het gedrag van een traditionele halogeenlamp (langere reactietijd).
- Druk zodra de juiste optie op het scherm wordt aangegeven de toets ENTER om hem op te slaan.

VERGRENDELMODUS

Wordt gebruikt om het instellingenmenu te vergrendelen tegen ongewenst wijzigen van de instellingen.

- Druk de toets MODE totdat de gewenste functie op het scherm wordt weergegeven.
- Druk de toets ENTER: de waarden kunnen worden gewijzigd.
- Gebruik de toetsen DOWN en UP om de gewenste modus in te stellen:
 - **OFF** Het installatiemenu kan op ieder moment worden gebruikt.
 - **ON** Na korte tijd vergrendeld het installatiemenu automatisch; op het scherm wordt "LOCKED *****" weergegeven. Ontgrendel het scherm door de toetsen in deze volgorde te drukken: **UP, DOWN, UP, DOWN, ENTER.**
- Druk zodra de juiste optie op het scherm wordt aangegeven de toets ENTER om hem op te slaan.

GEEN DMX - GEDRAG

Wordt gebruikt om in te stellen hoe de projector reageert als het DMX-sigitaal plotseling verdwijnt.

- Druk de toets MODE totdat de gewenste functie op het scherm wordt weergegeven.
- Druk de toets ENTER: de waarden kunnen worden gewijzigd.
- Gebruik de toetsen DOWN en UP om de gewenste modus in te stellen:
 - **BLACKOUT** De uitvoer wordt zwart als er geen DMX wordt waargenomen.
 - **FREEZE** de uitvoer van de projector wordt aangehouden op basis van het laatste geldige DMX-sigitaal.
- Druk zodra de juiste optie op het scherm wordt aangegeven de toets ENTER om hem op te slaan.

Opmerking: zodra de ingang een DMX-sigitaal detecteert wordt de black-out- of freezmodus geannuleerd.

FIRMWAREVERSIE

Wordt gebruikt om de huidige versie van de firmware te tonen.

- Houd de toets "MODE" ingedrukt totdat de FIRMWARE op het scherm wordt weergegeven.

De firmware van dit apparaat kan worden opgewaardeerd door gebruik te maken van Windows[®] software en een speciaal hulpprogramma voor het opwaarderen. (apart verkrijgbaar bij Briteq).

Wanneer de projector wordt ingeschakeld wordt er op het scherm "UPDATE Wait ..." weergegeven. Zolang het bericht op het scherm wordt weergegeven kunt u het opwaarderen starten of ons speciale hulpprogramma voor opwaarderen gebruiken. U kunt hierover meer informatie vinden in de gebruiksaanwijzing, het hulpprogramma voor opwaarderen en/of onze website: www.briteq-lighting.com

RDM-FUNCTIES / INSTELLING OP AFSTAND

RDM betekent "Remote Device Management" (Apparatenbeheer op afstand). Deze projector werkt met een beperkte set RDM-functies, wat betekent dat hij een tweerichtingscommunicatie met een RDM-compatibele DMX-controller tot stand kan brengen. Enkele van deze functies worden hieronder kort uitgelegd, andere functies zullen in de toekomst worden toegevoegd.

- De DMX-controller stuurt een "identificatiecommando", alle RDM-apparaten reageren en sturen hun uniek apparaat-ID.
- De DMX-controller vraagt elk RDM-apparaat om bepaalde algemene gegevens zodat het kan identificeren welke apparaten zijn aangesloten. De projector antwoordt:
 - **Naam van het apparaat:** de feitelijke naam van het apparaat.
 - **Fabrikant:** Briteq[®]
 - **Categorie:** LED-dimmer
 - **Firmware:** x.x.x.x (firmwareversie van de projector)
 - **DMX-adres:** xxx (huidig DMX-startadres van de projector)
 - **DMX-aantal:** xx (aantal DMX-kanalen dat door de projector wordt gebruikt)
 - **Persoonlijkheid:** xx (huidige persoonlijkheid [of DMX-bedrijfsmodus] die door de projectors wordt gebruikt)
- De DMX-controller kan bepaalde commando's naar elk RDM-apparaat sturen om de apparaten op afstand in te stellen. Hierdoor kan de installatie van de projectors op afstand worden uitgevoerd.

De volgende functies kunnen op afstand worden beheerd:

Er is geen ladder meer nodig om alle apparaten één voor één in te stellen!

- **DMX-STARTADRES:** Het startadres kan op afstand worden ingesteld van 001 tot xxx.
- **PERSOONLIJKHEID:** De DMX-bedrijfsmodus (DMX-overzicht) kan op afstand worden ingesteld.

Deze 2 functies maken het mogelijk om voor alle projectors op de DMX-controller een complete DMX-patch voor te bereiden en deze gegevens gelijktijdig naar alle projectors te sturen. Er worden in de toekomst meer functies toegevoegd.

GEBRUIKSAANWIJZING

Opmerking: wanneer de projector wordt ingeschakeld wordt er op het scherm "UPDATE WAIT ..." weergegeven. Dit bericht informeert u dat INDIEN u de firmware wilt opwaarderen, dat u dit dient te doen terwijl dit bericht op het scherm wordt weergegeven. U kunt dit bericht bij normaal gebruik volledig negeren.

A. Stand-alone 1 apparaat:

- Sluit gewoon de projector aan op het lichtnet.
- Selecteer de menuoptie "MASTER" om de gewenste lichtuitvoer te selecteren.
- Raadpleeg het hoofdstuk HOE TE INSTALLEREN, om te leren hoe de andere menuopties kunnen worden ingesteld.

B. Twee of meer apparaten in een master/slave installatie:

- Sluit alle apparaten op elkaar aan. Raadpleeg het hoofdstuk "elektrische installatie" om te leren hoe u dit dient te doen.
- Selecteer de menuoptie "MASTER" om de gewenste lichtuitvoer op de master (de eerste projector in de DMX-keten) te selecteren.
- Stel alle andere projectors in op SLAVE-modus
- De projectors volgen nu de instellingen van de master projector, zodat ze allemaal synchroon werken.

C. Aangestuurd via de universele DMX-controller:

- Sluit alle apparaten op elkaar aan. Raadpleeg het hoofdstuk "Elektrische installatie voor twee of meer apparaten in de DMX-modus" om te leren hoe u dit dient te doen (vergeet niet om alle apparaten juist te adresseren!)
- Sluit alle apparaten aan op het lichtnet en zet de DMX-regelaar aan.

Aangezien elk apparaat een eigen DMX-adres heeft, kunt u ze individueel bedienen. Onthoud dat ieder apparaat een verschillend aantal DMX-kanalen kan gebruiken, afhankelijk van de DMX-modus die u in het menu hebt geselecteerd. Zie de verschillende DMX-tabellen hieronder:

1-kanals DMX-Modus

Kanaal:	Waarde:	Functie:	Opmerkingen:
1	000-255	Master-dimmer (0-100%)	

2-kanals DMX-Modus

Kanaal:	Waarde:	Functie:	Opmerkingen:
1	000-255	Master-dimmer (0-100%)	
2	000-005	Open	Geen stroboscoop
	006-255	Regelen stroboscoopsnelheid	006 = langzaam, 255 = snel

ONDERHOUD

- Zorg ervoor dat het gebied onder de installatieplaats tijdens takelen, onttakelen en onderhoud vrij is van ongewenste personen.
- Schakel het apparaat uit, ontkoppel het netsnoer en wacht totdat het apparaat is afgekoeld.

Tijdens de inspectie dienen de volgende punten te worden gecontroleerd:

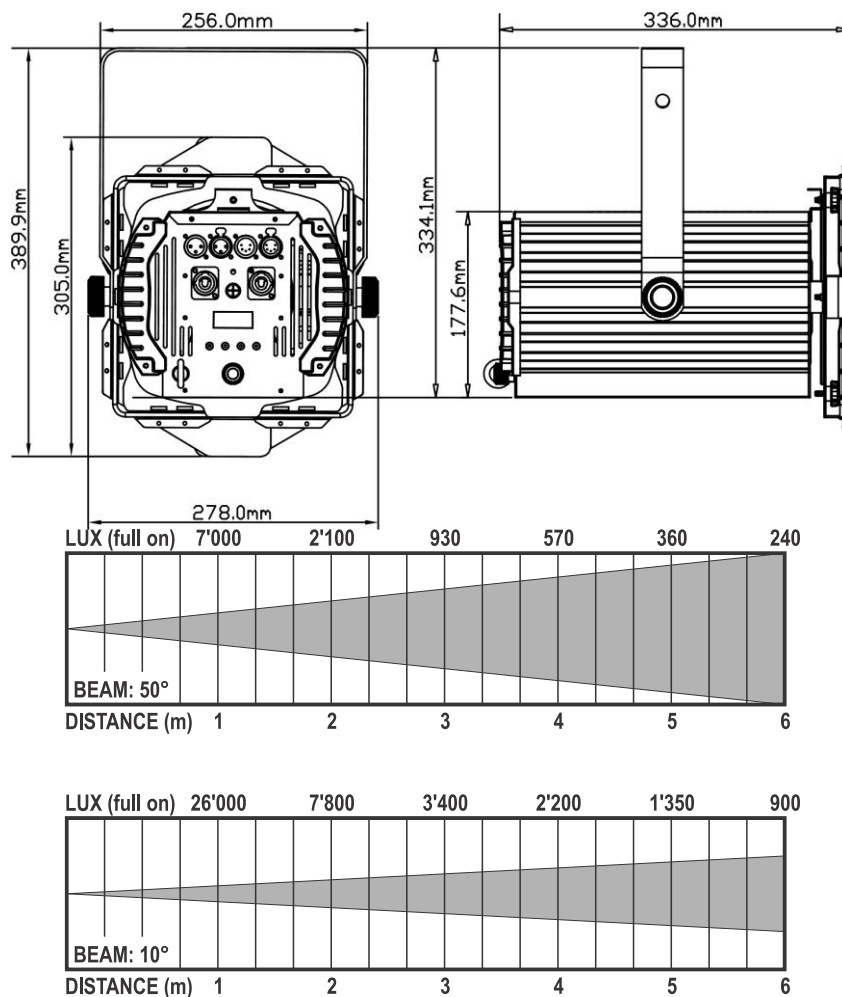
- Alle schroeven die zijn gebruikt voor het installeren van het apparaat of onderdelen van het apparaat moeten stevig worden bevestigd en mogen niet gecorrodeerd zijn.
- Behuizingen, bevestigingen en installatieplaatsen (plafond, truss, ophangingen) moeten volledig vrij van vervorming zijn.
- Wanneer een optische lens zichtbaar is beschadigd als gevolg van scheuren of diepe krassen, moet hij worden vervangen.
- De netsnoeren moeten in perfecte conditie zijn en onmiddellijk worden vervangen wanneer er ook maar een klein probleem wordt ontdekt.
- Om het apparaat tegen oververhitting te beschermen moeten de ventilatoren (indien aanwezig) en ventilatieopeningen maandelijks worden gereinigd.
- Het reinigen van de interne en externe optische lenzen en/of spiegels moet regelmatig worden uitgevoerd om de lichtopbrengst te optimaliseren. De frequentie van reiniging hangt af van de omgeving waarin het armatuur werkt: een vochtige, rokerige of bijzonder vuile omgeving kan leiden tot een grotere opeenhoping van vuil op de optiek van het apparaat.

- Reinig met een zachte doek met behulp van normale reinigingsmiddelen voor glas.
- Droog de onderdelen altijd zorgvuldig.

Opgelet: Wij raden nadrukkelijk aan om het inwendig reinigen door gekwalificeerd personeel uit te laten voeren!

SPECIFICATIES

Energievoorziening:	AC 110V - 240V, 50/60Hz
Energieverbruik:	125 Watt max.
Zekering:	250V T2A (20mm glas)
DMX-aansluitingen:	3-pins & 5-pins XLR mannelijk/vrouwelijk
Gebruikte DMX-kanalen:	1 of 2 kanalen
Lamp:	Warm witte 100W COB led, 3200K CRI = 85
LED-ververssnelheid:	1200Hz
Straalhoek:	10° - 50°
Afmetingen:	Zie tekening
Gewicht:	6,5kg



De informatie kan zonder voorafgaande kennisgeving worden gewijzigd
 U kunt de nieuwste versie van deze handleiding downloaden van onze website:
www.briteq-lighting.com

BEDIENUNGSANLEITUNG

Vielen Dank für den Kauf dieses Briteq®-Produkts. Bitte lesen Sie diese Bedienungshinweise vor der Inbetriebnahme sorgfältig durch, um alle Möglichkeiten des Geräts voll nutzen zu können, sowie zu Ihrer eigenen Sicherheit.

EIGENSCHAFTEN

Dieses Gerät ist funktentstört. Das Gerät entspricht den aktuellen europäischen Anforderungen und nationalen Richtlinien. Die Konformität wurde nachgewiesen und die entsprechenden Erklärungen und Unterlagen liegen beim Hersteller vor.

- Kostengünstige LED Theaterscheinwerfer mit manuellem 10° ~ 50° Zoom.
- Nicht nur für den Einsatz in Theatern, sondern auch ideal für Showrooms, Shops, Messeständen, Vermietung, usw... geeignet.
- Der leistungsstarke 100W weiß COB macht ihn zum perfekten Ersatz für einen traditionellen 1000W Halogentheaterscheinwerfer: max 7800 Lux @ 2m (Abstrahlwinkel: 10°)
- Es werden keine schweren und teuren Dimmer mehr benötigt.
- Farbtemperatur 3200K mit hohem CRI-Faktor = 85 für natürliche Farben
- LCD-Anzeige für die Auswahl mehrerer Betriebsarten
 - Standalone (Master) Modus : Dimmer + Strobe (falls nötig)
 - Master / Slave-Modus: Verbinden von mehreren Projektoren, der erste Projektor steuert die anderen.
 - DMX-gesteuerter, 1CH: Dimmer
 - DMX-gesteuerter, 2CH: Dimmer, Strobe
- Wählbare reaktionszeit des Projektors: Halogenlampe (langsam) oder LED (schnell)
- Wählbare Dimmerkurven: linear, square, inverse square, S-curve
- Im Fall eines DMX Ausfall können Sie zwischen Blackout und Freeze-Modus zu wählen.
- Teilweise extrudiertes schwarz eloxiertes Aluminiumgehäuse mit starkem Bügel
- Neutrik PowerCon Ein-/Ausgänge: einfache Kaskadierung mehrerer Geräte.
- Sowohl 3-polige als auch 5-polige DMX Ein-/Ausgänge für maximale Kompatibilität.
- Sehr leise Lüfterkühlung
- Filterrahmen und Torblende inklusive

VOR DER ERSTBENUTZUNG

- Vor der Erstbenutzung bitte das Gerät zuerst auf Transportschäden überprüfen. Sollte das Gerät einen Schaden aufweisen, benutzen Sie es nicht, sondern wenden Sie sich unverzüglich an Ihren Händler.
- **Wichtig:** Dieses Gerät hat das Werk unbeschädigt und gut verpackt verlassen. Es ist wichtig, dass der Benutzer sich streng an die Sicherheitshinweise und Warnungen in der Bedienungsanleitung hält. Schäden durch unsachgemäße Handhabung sind von der Garantie ausgeschlossen. Der Händler übernimmt keine Verantwortung für Schäden, die durch Nichtbeachtung der Bedienungsanleitung entstanden sind.
- Die Bedienungsanleitung zum zukünftigen Nachschlagen bitte an einem sicheren Ort aufbewahren. Bei Verkauf oder sonstiger Weitergabe des Geräts bitte die Bedienungsanleitung beifügen.

Packungsinhalt prüfen:

Bitte überprüfen Sie, ob die Verpackung folgende Artikel enthält:

- Bedienungsanleitung
- BT-THEATRE 100EC MK2
- PowerCON Netzkabel

SICHERHEITSHINWEISE:

ACHTUNG: Um sich nicht der Gefahr eines elektrischen Schlags auszusetzen, entfernen Sie nicht die obere Abdeckung. Im Geräteinneren befinden sich keine vom Benutzer wartbaren Teile. Überlassen Sie Reparatur- und Wartungsarbeiten dem qualifizierten Kundendienst.



Das Blitzsymbol innerhalb eines gleichseitigen Dreiecks warnt den Benutzer vor nicht isolierter „gefährlicher Spannung“ im Innern des Produktgehäuses, die so stark sein kann, dass für Personen die Gefahr von Stromschlägen besteht.



Das Ausrufezeichen im Dreieck weist den Benutzer auf wichtige Bedienungs- und Wartungshinweise in den Dokumenten hin, die dem Gerät beiliegen.



Dieses Symbol bedeutet: Nur für den Einsatz im Innenbereich.



Dieses Symbol bedeutet: Die Bedienungsanleitung lesen.



Dieses Symbol legt fest: Den minimalen Abstand von beleuchteten Objekten. Der minimale Abstand zwischen Projektor und dem beleuchteten Objekt muss mehr als 1 Meter betragen.



Das Gerät eignet sich nicht für die direkte Montage auf gängigen entflammaren Oberflächen. (Nur für die Montage auf nicht-brennbaren Oberflächen geeignet)



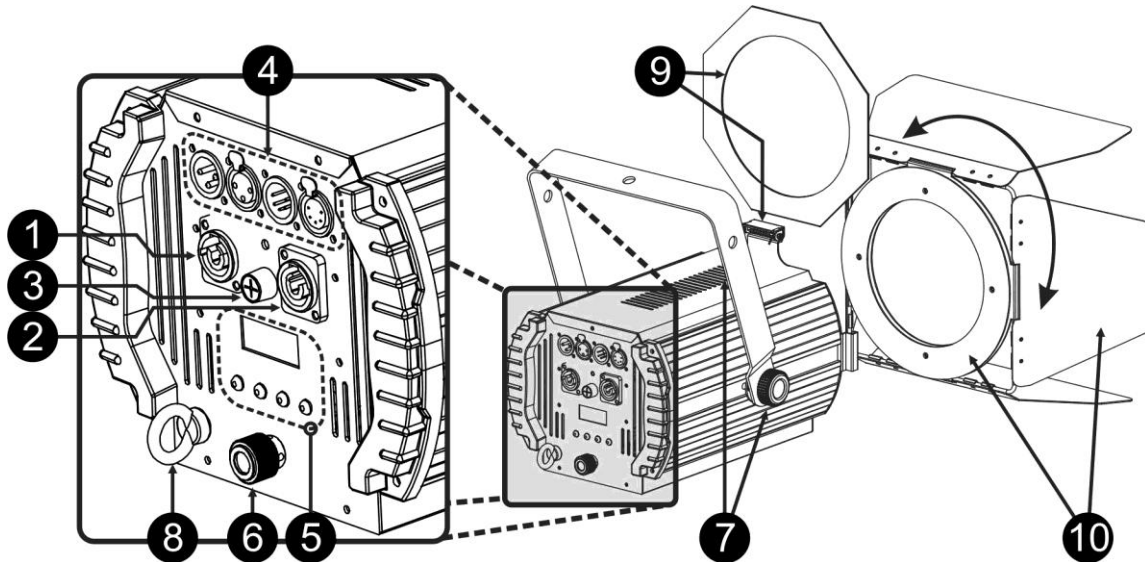
ACHTUNG: Nicht direkt in die Lichtquelle blicken. Das kann für die Augen schädlich sein.

- Aus Umweltschutzgründen die Verpackung bitte wiederverwenden oder richtig trennen.
- Zur Vermeidung von Kondensation im Inneren des Geräts bitte nach dem Transport in eine warme Umgebung einige Zeit zum Temperatenausgleich ausgeschaltet stehen lassen. Kondensation kann zu Leistungsverlust des Geräts oder gar Beschädigungen führen.
- Keine Metallgegenstände oder Flüssigkeiten ins Innere des Geräts gelangen lassen. Ein Kurzschluss oder eine Fehlfunktion können die Folge sein. Falls es doch einmal vorkommen sollte, bitte sofort den Netzstecker ziehen und vom Stromkreis trennen.
- Das Gerät nur an einem gut belüfteten Ort und entfernt von entflammaren Materialien oder Flüssigkeiten aufstellen. Das Gerät muss mindestens 50 cm von allen umgebenden Wänden entfernt montiert werden.
- Die Ventilationsöffnungen nicht abdecken, da Überhitzungsgefahr!
- Nicht in staubiger Umgebung verwenden und regelmäßig reinigen.
- Für Kinder unerreichbar aufbewahren.
- Unerfahrene Personen dürfen das Gerät nicht bedienen.
- Umgebungstemperatur darf 40°C nicht überschreiten. Das Gerät bei höheren Raumtemperaturen nicht verwenden.
- Stellen Sie sicher, dass sich während des Auf- oder Abbaus und der Wartung keine unbefugten Personen unterhalb des Geräts befinden.
- Lassen Sie das Gerät etwa 10 Minuten abkühlen, bevor Sie mit der Wartung beginnen.
- Stets den Netzstecker ziehen, wenn das Gerät für einen längeren Zeitraum nicht genutzt oder es gewartet wird.
- Die elektrische Installation darf nur von qualifiziertem Personal, unter Beachtung der Vorschriften zur elektrischen und mechanischen Sicherheit in Ihrem Land durchgeführt werden.
- Stellen Sie sicher, dass Netzspannung mit Geräteaufkleber übereinstimmt.
- Das Gerät nicht mit einem beschädigten Netzkabel in Betrieb nehmen. Wenn das Netzkabel gequetscht oder beschädigt wurde, schalten Sie das Gerät sofort aus. Im Falle von Beschädigungen muss das Netzkabel vom Hersteller, einem autorisierten Kundendienstmitarbeiter oder einer ähnlich qualifizierten Person ersetzt werden, um Gefährdungen zu vermeiden.
- Lassen Sie das Netzkabel niemals mit anderen Kabeln in Berührung kommen!
- Zur Einhaltung der Sicherheitsbestimmungen muss das Gerät geerdet sein.
- Das Gerät nicht an einen Dimmer anschließen.
- Ausschließlich vorschriftsmäßige und zugelassene Sicherheitskabel zur Installation verwenden.
- Zur Vorbeugung gegen elektrische Schläge keine Abdeckungen entfernen. Im Geräteinneren befinden sich keine zu wartenden Teile.
- Eine Sicherung **niemals** reparieren oder überbrücken. Eine durchgebrannte Sicherung **immer** durch eine Sicherung gleichen Typs und mit gleichen elektrischen Spezifikationen ersetzen!
- Bei Fehlfunktion das Gerät nicht benutzen und sich mit dem Händler in Verbindung setzen.
- Bei sichtbaren Beschädigungen müssen Gehäuse und Optik ersetzt werden.

- Bei Transport bitte die Originalverpackung verwenden, um Schäden am Gerät zu vermeiden.
- Aus Sicherheitsgründen dürfen an dem Gerät keine unbefugten Veränderungen vorgenommen werden.

Wichtig: Nicht direkt in die Lichtquelle blicken! Das Gerät nicht verwenden, wenn sich Personen im Raum befinden, die unter Epilepsie leiden.

BESCHREIBUNG:



1. **NETZSPANNUNG:** mit originalem Neutrik PowerCON[®] ausgestattet. Schließen Sie hier das mitgelieferte Netzkabel (oder irgendein PowerCON[®] Verlängerungskabel) an.
2. **NETZAUSGANG:** Wird zur Kaskadierung der Leistung mit mehreren anderen Beamern verwendet. Achten Sie immer auf die maximale Belastung beim Hinzufügen der Beamers! Spezielle Multi-Kabel (PowerCON[®] + DMX XLR-Kabel sind optional erhältlich: siehe unsere Webseite!)
3. **NETZSICHERUNG:** Schützt das Gerät im Falle von elektrischen Problemen, verwenden Sie immer die vorgeschriebene Sicherung!
4. **DMX-EIN/AUS:** Sowohl 3-polige als auch 5-polige Ein-/Ausgänge stehen zur Verfügung zur Kaskadierung des Beamers mit anderen Geräten, die von einem DMX-Controller gesteuert werden.
5. **DISPLAY u. TASTEN:** Alphanumerisches LCD-Display mit Hintergrundbeleuchtung und wasserdichte Folientasten zum Auswählen der verschiedenen Optionen des Setupmenüs:
 - **MENU-Taste:** Blättert durch die verschiedenen Menüoptionen oder verlässt eine Menüoption.
 - **DOWN-Taste:** Geht zur nächsten Menüoption oder verringert einen Parameterwert.
 - **UP-Taste:** Geht zur vorherigen Menüoption oder erhöht einen Parameterwert.
 - **ENTER-Taste:** Wählt eine Menüoption aus oder bestätigt eine Einstellung.
6. **FOCUS KNOPF:** verwendet, um den Strahlwinkel zwischen 10° und 50° ein zu stellen.
7. **DECKENHALTERUNG:** Mit Knöpfen auf beiden Seiten zum Befestigen des Geräts.
8. **SICHERHEITSÖSE:** Zur Anbringung eines Sicherheitskabels bei Überkopfmontage (s. Abschnitt „Überkopfmontage“).
9. **FARBFILTER RAHMEN:** wird genutzt um Farbfiler vor der Linse zu befestigen. Der obere Clip wird verwendet um den Farbfiler Rahmen in Position zu halten.
10. **TORBLENDE:** erleichtert die Abgrenzung des Lichtstrahls und verhindert unerwünschte Lichtstreuungen, welche durch die Fresnel-Linse verursacht werden. Sie können ganz einfach die Torblende Blätter in die gewünschte Position drehen.

ÜBERKOPF-MONTAGE

- **Wichtig:** Die Montage ausschließlich durch qualifiziertes Fachpersonal durchführen lassen. Unvorschriftsmäßiger Einbau kann erhebliche Verletzungen und/oder Schäden verursachen. Die Überkopf-Montage setzt die entsprechende Erfahrung voraus! Die Belastungsgrenzen müssen beachtet, geeignetes Installationsmaterial muss verwendet und das installierte Gerät muss in regelmäßigen Abständen überprüft werden.
- Stellen Sie sicher, dass sich während des Auf- oder Abbaus und der Wartung keine unbefugten Personen unterhalb des Geräts befinden.
- Das Gerät nur an einem gut belüfteten Ort und entfernt von entflammaren Materialien und/oder Flüssigkeiten aufstellen. Das Gerät muss **mindestens 50 cm** von allen umgebenden Wänden entfernt montiert werden.
- Das Gerät außerhalb der Reichweite von Personen und nicht in niedrigen Durchgängen oder in der Nähe von Sitzgelegenheiten installieren.
- Vor Montage sicherstellen, dass die gewählte Position wenigstens das 10-fache Gerätegewicht aufnehmen kann.
- Zur Aufhängung stets geeignetes Befestigungsmaterial verwenden, welches das 12-fache Gerätegewicht aushalten kann. Eine zweite Sicherungsaufhängung muss angebracht werden, die ein Absacken des Geräts von mehr als 20 cm verhindert, sollte die Befestigung brechen.
- Das Gerät gut befestigen. Eine freischwingende Aufhängung ist gefährlich und sollte auf gar keinen Fall in Betracht gezogen werden!
- Die Ventilationsöffnungen nicht abdecken, da Überhitzungsgefahr!
- Der Betreiber muss sicherstellen, dass die sicherheitsrelevanten und technischen Installationen vor Erstbetrieb fachmännisch vorgenommen worden sind. Installationen sollten jährlich durch qualifiziertes Fachpersonal überprüft werden, um jederzeit einen sicheren Betrieb zu gewährleisten.



ELEKTROINSTALLATION + ADRESSIERUNG

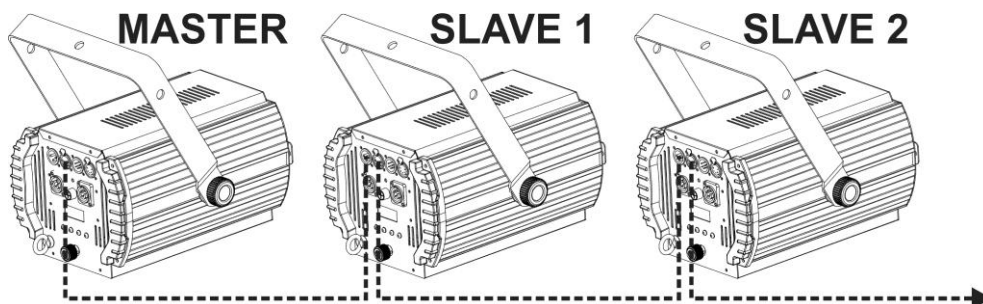


Wichtig: Die elektrische Installation darf nur von qualifiziertem Personal, unter Beachtung der Vorschriften zur elektrischen und mechanischen Sicherheit in Ihrem Land durchgeführt werden.

Master/Slave:

Schließen Sie die Projektoren wie in der Zeichnung dargestellt an. Um den Master einzurichten, finden Sie im Absatz „SETUPMENÜ“ weitere Informationen. Sie können am Master auch die IR-Fernbedienung aktivieren und die im Lieferumfang enthaltene IR-Fernbedienung verwenden. Alle Slaves muss auf den SLAVE-Modus eingestellt werden. Sie können beliebig viele Slaves einschalten, aber nur unter der Bedingung, dass der Gesamtstrom des Netzverktettung unterhalb von 10 A (2300 W) liegt.

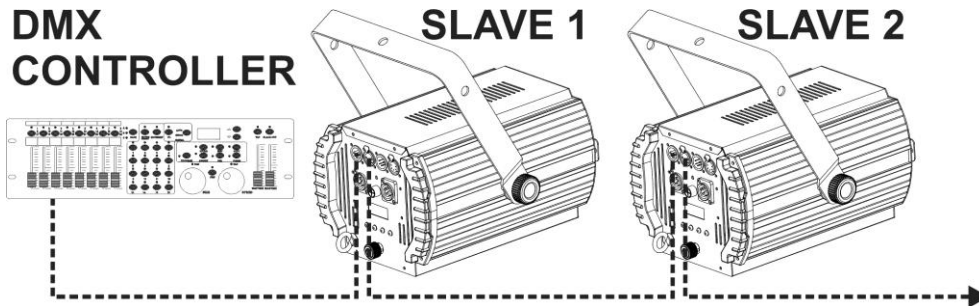
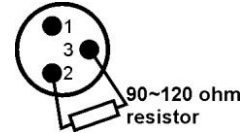
WICHTIG: Achten Sie darauf, dass kein DMX-Controller angeschlossen wurde. Dies führt zu einem unerwarteten Verhalten!



Elektrische Installation von zwei oder weiteren Geräten im DMX-Modus:

- Das DMX-Protokoll ist ein gängiges Hochgeschwindigkeitssignal zur Steuerung von intelligenten Lichtsystemen. Sie müssen Ihren DMX-Controller und alle angeschlossenen Geräte hintereinander schalten (Daisy Chain).
- Verwenden Sie das mitgelieferte DMX-Eingangsadapterkabel (IP-Kabel auf XLR-Stecker) für den Anschluss des ersten Geräts in der Verkettung an den Controller.
- Stiftanordnung 3-poliger XLR-Stecker: Pin1 = GND (Masse) - Pin2 = Negatives Signal (-) - Pin3 = Positives Signal (+)

- Stiftanordnung 5-poliger XLR-Stecker: Pin1 = GND (Masse) - Pin2 = Negatives Signal (-) - Pin3 = Positives Signal (+) - Pins 4 u. 5 werden nicht verwendet.
- Um durch Interferenzen verursachte Fehlfunktionen der Lichteffekte zu vermeiden, müssen Sie die Kette mit einem 90Ω bis 120Ω Abschlusswiderstand abschließen. Verwenden Sie niemals Y-Splitter-Kabel, das funktioniert einfach nicht!
- Wenn Geräte auf den Projektor folgen, die über einen normalen DMX-Eingang mit 3-poligem XLR verfügen, verwenden Sie für den Anschluss das mitgelieferte DMX-Ausgangsadapterkabel (IP-Kabel auf XLR-Buchse).



- Achten Sie darauf, dass alle Geräte an die Netzversorgung angeschlossen sind.
- Jeder Lichteffekt in der Kette muss seine eigene Startadresse haben, damit er erkennt, welche Befehle der Controller entschlüsseln muss. Im folgenden Abschnitt erhalten Sie eine Anleitung zum Einstellen der DMX-Adressen.

EINRICHTUNGSANLEITUNG:

Bei beiden Modellen sind alle Punkte identisch, mit Ausnahme der Displaymeldungen: Die Meldungen sind auf der linken Seite dargestellt.

- Drücken Sie zur Auswahl einer der Funktionen die Taste MODE, bis die gewünschte Funktion auf dem Display gezeigt wird oder blättern Sie mit den Tasten DOWN und UP durch die Menüs.
- Wählen Sie die Funktion mit ENTER.
- Sie können die Werte mit den Tasten DOWN und UP ändern.
- Wenn der gewünschte Wert ausgewählt wurde, bestätigen Sie ihn mit ENTER.

DMX-ADRESSE

Stellt die gewünschte DMX-Adresse ein.

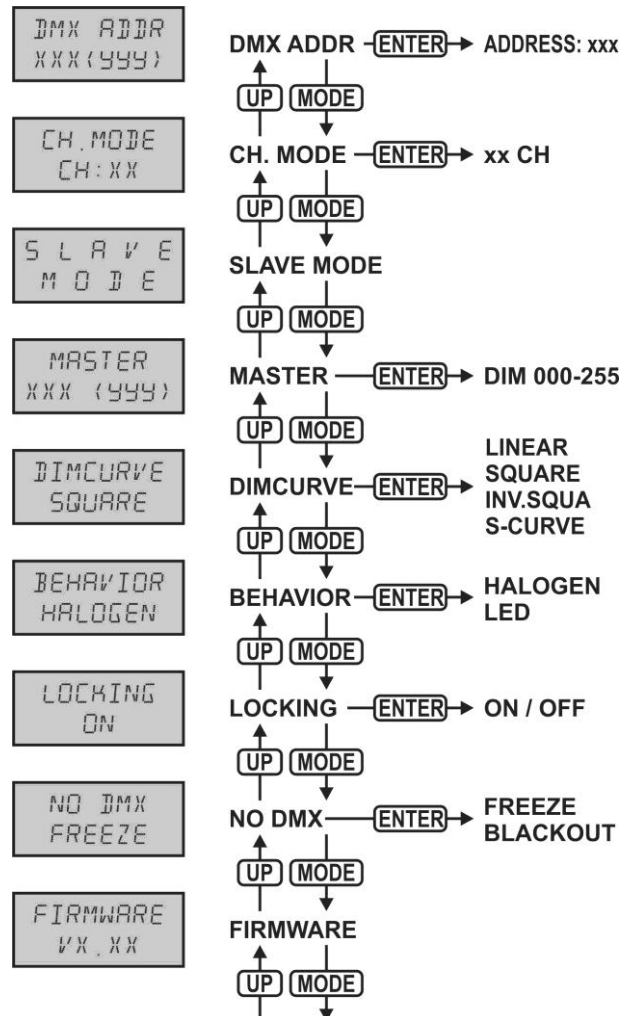
- Drücken Sie MODE, bis die gewünschte Funktion im Display angezeigt wird.
- Drücken Sie die ENTER-Taste: Die Werte können geändert werden.
- Wählen Sie nun mit den Tasten DOWN und UP die gewünschte DMX512-Adresse. Die letzte belegte DMX-Adresse wird auch angezeigt: Dies macht es einfacher, die Adresse des nächsten Geräts in der Kette einzustellen.
- Wenn Sie die korrekte Adresse eingestellt haben, speichern Sie Ihre Auswahl mit ENTER.

Hinweis: Bei RDM-kompatiblen Controllern kann diese Option auch per Fernzugriff eingerichtet werden.

KANALMODUS

Stellt den gewünschten Kanalmodus ein.

- Drücken Sie MODE, bis die gewünschte Funktion im Display angezeigt wird.
- Drücken Sie die ENTER-Taste: Die Werte können geändert werden.
- Wählen Sie mit DOWN und UP den gewünschten Modus:



- **CH:01** Dimmer.
 - **CH:02** Dimmer, Stroboskop.
- Wenn die richtige Option auf dem Display angezeigt wird, speichern Sie sie mit ENTER.
- Hinweis: Bei RDM-kompatiblen Controllern kann diese Option auch per Fernzugriff eingerichtet werden.*

SLAVE-MODUS

Stellt den Projektor als Slave in einer Master/Slave-Konfiguration ein.

- Drücken Sie die MODE-Taste, bis SLAVE MODE auf dem Display angezeigt wird.

MASTER-DIMMER

Stellt den Master-Dimmer bei Verwendung als Master ein.

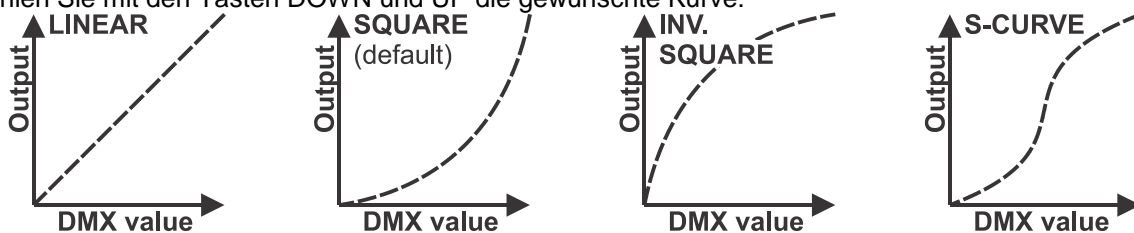
- Drücken Sie MODE, bis die gewünschte Funktion im Display angezeigt wird.
- Drücken Sie die ENTER-Taste: Die Werte können geändert werden.
- Wählen Sie nun mit den Tasten DOWN und UP den gewünschten Pegel des Master-Dimmers. (Beachten Sie, dass die zuletzt ausgewählte statische Farbe zum Einstellen des Werts verwendet wird)
- Sobald Sie den gewünschten Pegel eingestellt haben, speichern Sie ihn mit ENTER.

Hinweis: Die Einstellung dieser Option hat KEINE Auswirkungen, wenn der Projektor als Slave oder im DMX-Modus verwendet wird.

DIMMERKURVE

Stellt die Dimmerkurve des Master-Dimmers ein.

- Drücken Sie MODE, bis die gewünschte Funktion im Display angezeigt wird.
- Drücken Sie die ENTER-Taste: Die Werte können geändert werden.
- Wählen Sie mit den Tasten DOWN und UP die gewünschte Kurve:



- Sobald Sie die gewünschte Kurve gewählt haben, speichern Sie sie mit ENTER.

LAMPENVERHALTEN

Wählt die Reaktionszeit des Projektors aus.

- Drücken Sie MODE, bis die gewünschte Funktion im Display angezeigt wird.
- Drücken Sie die ENTER-Taste: Die Werte können geändert werden.
- Wählen Sie mit DOWN und UP den gewünschten Modus:
 - **LED** Der Projektor folgt ohne Verzögerung sofort den Anweisungen.
 - **HALOGEN** Der Projektor imitiert das Verhalten einer Halogenlampe (langsamere Reaktionszeit).
- Wenn die richtige Option auf dem Display angezeigt wird, speichern Sie sie mit ENTER.

SPERRMODUS

Sperrt das Setupmenü gegen unbefugtes verändern der Einstellungen.

- Drücken Sie MODE, bis die gewünschte Funktion im Display angezeigt wird.
- Drücken Sie die ENTER-Taste: Die Werte können geändert werden.
- Wählen Sie mit DOWN und UP den gewünschten Modus:
 - **OFF** Das Setupmenü kann jederzeit verwendet werden.
 - **ON** Nach kurzer Zeit wird das Setupmenü automatisch gesperrt. Das Display zeigt „**LOCKED *******“ an.
Geben Sie das Display durch Drücken der Tasten in dieser Reihenfolge frei: **UP, DOWN, UP, DOWN, ENTER.**
- Wenn die richtige Option auf dem Display angezeigt wird, speichern Sie sie mit ENTER.

VERHALTEN BEI „KEIN DMX“

Legt fest, wie der Projektor reagiert, wenn das DMX-Signal plötzlich verschwindet.

- Drücken Sie MODE, bis die gewünschte Funktion im Display angezeigt wird.
- Drücken Sie die ENTER-Taste: Die Werte können geändert werden.
- Wählen Sie mit DOWN und UP den gewünschten Modus:
 - **BLACKOUT** Wenn kein DMX-Signal erkannt wurde, wird Schwarz ausgegeben.

- **FREEZE** Die Ausgabe des Projektors wird auf Grundlage des letzten gültigen DMX-Signals gehalten.
 - Wenn die richtige Option auf dem Display angezeigt wird, speichern Sie sie mit ENTER.
- Hinweis:** Sobald der Eingang ein DMX-Signal erkennt, wird der Blackout- oder Freeze-Modus abgebrochen.

FIRMWARE-VERSION

Zeigt die aktuelle Version der Firmware an.

- Drücken Sie die MODE-Taste, bis FIRMWARE auf dem Display angezeigt wird.

Die Firmware des Geräts kann über ein spezielles Aktualisierungswerkzeug mit Windows®-Software aktualisiert werden. (optional von Briteq erhältlich).

Jedes Mal, wenn der Projektor eingeschaltet wird, zeigt das Display „UPDATE Wait ...“ an: Während diese Nachricht auf dem Display können Sie die Aktualisierung mit Hilfe unseres speziellen Aktualisierungswerkzeugs starten. Weitere Informationen hierzu finden Sie in der Bedienungsanleitung des Aktualisierungswerkzeugs bzw. auf unserer Website: www.briteq-lighting.com

RDM-FUNKTIONEN/EINSTELLUNG FERNBEDIENUNG

RDM bedeutet „Verwaltung von Remote-Geräten“. Dieser Projektor funktioniert mit einem kurzen Set von RDM-Funktionen, und dies bedeutet, dass er eine bidirektionale Kommunikation mit einem RDM-kompatiblen DMX-Controller einrichten kann. Einige dieser Funktionen werden nachfolgend kurz erläutert, andere werden zukünftig hinzugefügt.

- Der DMX-Controller sendet einen „Erkennungsbefehl“, alle RDM-Geräte reagieren und senden ihre eindeutige Geräte-ID.
- Der DMX-Controller fragt jedes RDM-Gerät nach einigen grundlegenden Daten, so dass er weiß, welche Geräte angeschlossen sind. Der Projektor antwortet:
 - **Gerätename:** Der aktuelle Name des Geräts
 - **Hersteller:** Briteq®
 - **Kategorie:** LED-Dimmer
 - **Firmware:** x.x.x.x (Firmware-Version des Projektors)
 - **DMX-Adresse:** xxx (aktuelle DMX-Startadresse des Projektors)
 - **DMX-Fußabdruck:** xx (Anzahl der DMX-Kanäle, die vom Projektor verwendet werden)
 - **Eigenschaft:** xx (aktuelle Eigenschaft [oder DMX-Arbeitsmodus], die von den Projektoren verwendet wird)
- Der DMX-Controller kann bestimmte Befehle, die Ferneinstellung der Geräte erlauben, an jedes RDM-Gerät senden. Dadurch können die Projektoren ferngesteuert eingerichtet werden.

Die folgenden Funktionen können ferngesteuert verwaltet werden:

Es ist nicht mehr erforderlich, alle Geräte mit einer Leiter, eines nach dem anderen einzustellen!

- **DMX-STARTADRESSE:** Die Startadresse kann ferngesteuert von 001 bis xxx eingestellt werden.
- **EIGENSCHAFT:** Der DMX-Arbeitsmodus (DMX-Grafik) kann ferngesteuert eingestellt werden.

Mit diesen 2 Funktionen kann ein vollständiger DMX-Patch aller Projektoren an dem DMX-Controller vorbereitet und diese Daten sofort an alle Projektoren gesendet werden. Weitere Funktionen werden später hinzugefügt.

BEDIENUNGSANLEITUNG

Hinweis: Wenn der Projektor eingeschaltet wurde, zeigt das Display „UPDATE WAIT ...“ an. Diese Meldung weist darauf hin, dass eine Aktualisierung der Firmware erfolgen muss, während diese Meldung auf dem Display angezeigt wird. Beim normalen Gebrauch können Sie diese Meldung ignorieren.

A. Standalone 1 Gerät:

- Schließen Sie einfach den Projektor an eine Steckdose an.
- Wählen Sie die Menüoption „MASTER“, um die gewünschte Lichtleistung einzustellen.
- Schlagen Sie im Kapitel EINRICHTUNGSANLEITUNG nach, wie man die anderen Menüoptionen einstellt.

B. Zwei oder weitere Geräte in der Master/Slave-Einstellung:

- Verketteten Sie alle Geräte. Im Kapitel „Elektrische Installation“ erfahren Sie mehr darüber.
- Wählen Sie die Menüoption „MASTER“, um die gewünschte Lichtleistung am Master einzustellen (der

erste Projektor in der DMX-Kette)

- Stellen Sie alle anderen Projektoren in den Slave-Modus.
- Die Projektoren folgen jetzt den Einstellungen des Master-Projektors, so dass sie alle synchron arbeiten.

C. Steuerung mittels Universal-DMX-Controller:

- Verketteten Sie alle Geräte. Im Kapitel „Elektrische Installation von zwei oder weiteren Geräten im DMX-Modus“ erfahren Sie mehr darüber (vergessen Sie nicht, alle Geräte richtig zu adressieren!)
- Anschließend schließen Sie alle Geräte an die Stromversorgung an und schalten Sie den DMX-Controller ein.

Da jedes Gerät eine eigene DMX-Adresse besitzt, können Sie die Geräte einzeln steuern. Denken Sie daran, dass jedes Gerät eine unterschiedliche Anzahl von DMX-Kanälen verwenden kann, abhängig vom DMX-Modus, den Sie in diesem Menü gewählt haben. Siehe die folgenden unterschiedlichen DMX-Tabellen:

1 Kanal DMX-Modus: DIMMER

Kanal:	Wert:	Funktion:	Hinweise:
1	000-255	Master-Dimmer (0-100%)	

2 Kanal DMX-Modus: DIMMER + STROBOSKOP

Kanal:	Wert:	Funktion:	Hinweise:
1	000-255	Master-Dimmer (0-100%)	
2	000-005	Offen	Kein Stroboskopeffekt
	006-255	Stroboskop-Geschwindigkeit erhöhen	006 = langsam, 255 = schnell

WARTUNG

- Stellen Sie sicher, dass sich keine unbefugten Personen unterhalb des Geräts befinden, während es gewartet wird.
- Schalten Sie das Gerät aus, ziehen Sie den Netzstecker und warten Sie, bis es sich abgekühlt hat.

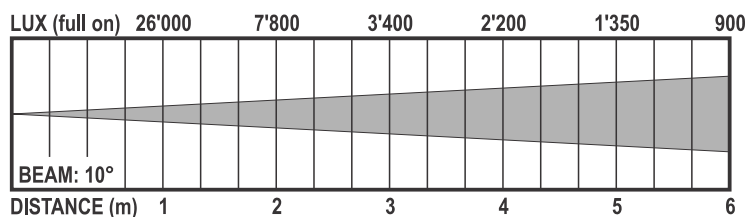
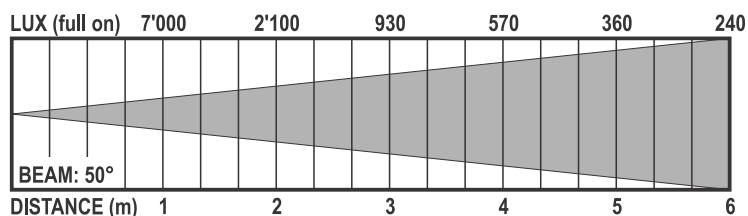
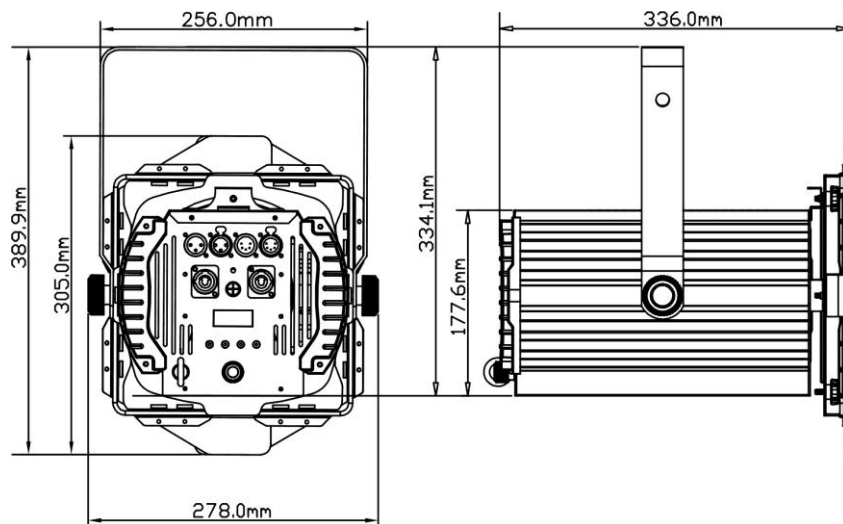
Während der Wartung sind folgende Punkte ganz besonders zu beachten:

- Sämtliche Schrauben zur Installation und Befestigung jeglicher Teile müssen fest angezogen und rostfrei sein.
- Gehäuse, Befestigungsmaterialien und Aufhängungen (Decke, Balken, abgehängte Decken) dürfen keine Anzeichen von Verformung aufweisen.
- Wenn die Optik sichtbar beschädigt ist (Sprünge oder tiefe Kratzer), dann müssen die entsprechenden Teile ausgetauscht werden.
- Die Netzkabel müssen stets in einwandfreiem Zustand sein und selbst bei kleinsten Beschädigungen erneuert werden.
- Zur Vermeidung von Überhitzung müssen die Ventilatoren (sofern vorhanden) und Lüftungsschlitze monatlich gereinigt werden.
- Die Reinigung der inneren und äußeren optischen Linsen bzw. Spiegel muss in regelmäßigen Abständen zur Beibehaltung einer optimalen Lichtausbeute vorgenommen werden. Die Reinigungsintervalle hängen stark von der Umgebung ab: Feuchte, verrauchte oder besonders verschmutzte Umgebungen führen zu einer größeren Verschmutzung auf den Linsen.
 - Mit einem weichem Tuch und gewöhnlichem Glasreiniger säubern.
 - Alle Teile stets gut abtrocknen.

Achtung: Wir empfehlen dringend, die Reinigung des Geräteinneren nur von qualifiziertem Personal durchführen zu lassen!

TECHNISCHE DATEN

Netzspannung:	AC 110V - 240V, 50/60Hz
Leistungsaufnahme:	125 Watt max.
Sicherung:	250V T2A (20mm Glas)
DMX-Anschlüsse:	3- und 5-poliger XLR Stecker/Buchse
Benutzte DMX-Kanäle:	1 oder 2 Kanäle
Lichtquelle:	100W Warm weiß COB, 3200K CRI = 85
LED-Bildwiederholrate:	1200Hz
Abstrahlwinkel:	10° - 50°
Abmessungen:	siehe Zeichnung
Gewicht:	6,5kg



Technische Änderungen können auch ohne Vorankündigung vorgenommen werden
 Sie können die neueste Version dieser Bedienungsanleitung von unserer Website
www.briteq-lighting.com herunterladen



MAILING LIST

EN: Subscribe today to our mailing list for the latest product news!

FR: Inscrivez-vous à notre liste de distribution si vous souhaitez suivre l'actualité de nos produits!

NL: Abonneer je vandaag nog op onze mailinglijst en ontvang ons laatste product nieuws!

DE: Abonnieren Sie unseren Newsletter und erhalten Sie aktuelle Produktinformationen!

ES: Suscribete hoy a nuestra lista de correo para recibir las últimas noticias!

WWW.BRITEQ-LIGHTING.COM

Copyright © 2015 by BEGLEC NV

't Hofveld 2C ~ B1702 Groot-Bijgaarden ~ Belgium

Reproduction or publication of the content in any manner, without express permission of the publisher, is prohibited.