

EQUINOX

PFM1500

Foam Machine

User Manual



Order code: EQLED394

WARNING:

FOR YOUR OWN SAFETY, PLEASE READ THIS USER MANUAL CAREFULLY BEFORE YOUR INITIAL START-UP!

- Before your initial start-up, please make sure that there is no damage caused during transportation.
- Should there be any damage, consult your dealer and do not use the equipment.
- To maintain the equipment in good working condition and to ensure safe operation, it is necessary for the user to follow the safety instructions and warning notes written in this manual.



- Please note that damages caused by user modifications to this equipment are not subject to warranty.

IMPORTANT: The manufacturer will not accept liability for any resulting damages caused by the non-observance of this manual or any unauthorised modification to the equipment.

- Never let the power cable come into contact with other cables. Handle the power cable and all mains voltage connections with particular caution!
- Never remove warning or informative labels from the unit.
- Do not open the equipment and do not modify the unit.
- Do not switch the equipment on and off in short intervals, as this will reduce the system's life.
- Only use the equipment indoors.
- Do not expose to flammable sources, liquids or gases.
- Always disconnect the power from the mains when equipment is not in use or before cleaning! Only handle the power-cable by the plug. Never pull out the plug by pulling the power-cable.
- Make sure that the available mains supply voltage is 240V AC, 50Hz.
- Make sure that the power cable is never crimped or damaged. Check the equipment and the power cable periodically.
- If the equipment is dropped or damaged, disconnect the mains power supply immediately and have a qualified engineer inspect the equipment before operating again.
- This unit is not intended for fixed installation.
- If the equipment has been exposed to drastic temperature fluctuation (e.g. after transportation), do not connect power or switch it on immediately. The arising condensation might damage the equipment. Leave the equipment switched off until it has reached room temperature.
- If your product fails to function correctly, stop use immediately. Pack the unit securely (preferably in the original packing material), and return it to your Prolight dealer for service.
- Only use fuses of same type and rating.
- Repairs, servicing and power connection must only be carried out by a qualified technician. THIS UNIT CONTAINS NO USER SERVICEABLE PARTS.
- This fixture is for professional use only - it is not designed for or suitable for household use. The product must be installed by a qualified technician in accordance with local territory regulations. The safety of the installation is the responsibility of the installer. The fixture presents risks of severe injury or death due to fire hazards, electric shock and falls.
- **WARRANTY:** One year from date of purchase.

OPERATING DETERMINATIONS

If this equipment is operated in any other way, than those described in this manual, the product may suffer damage and the warranty becomes void. Incorrect operation may lead to danger e.g: short-circuit, burns and electric shocks etc.

Do not endanger your own safety and the safety of others!

Incorrect installation or use can cause serious damage to people and/or property.

Before filling the unit disconnect the mains. Never fill with hot liquids.

Only use high quality, water based foam fluid recommended by the manufacturer.

Other foam fluids may cause clogging and void the guarantee.

Always make sure there is sufficient foam fluid present. Operating this foam machine without foam fluid will cause damage to the pump.

Operate the unit only after you have familiarised yourself with its functions. Do not permit operation by persons not qualified for operating the unit and always drain the tank and use the original packaging if the unit is to be transported.

PFM1500 Foam Machine

Designed for large events, the PFM1500 Foam Machine from Equinox utilises a large, high output fan to project foam up to 10 metres away. Supplied complete with custom designed flight case for protection during transportation. The robust steel chassis with built-in tilt mechanism allows the user to direct the output as required.

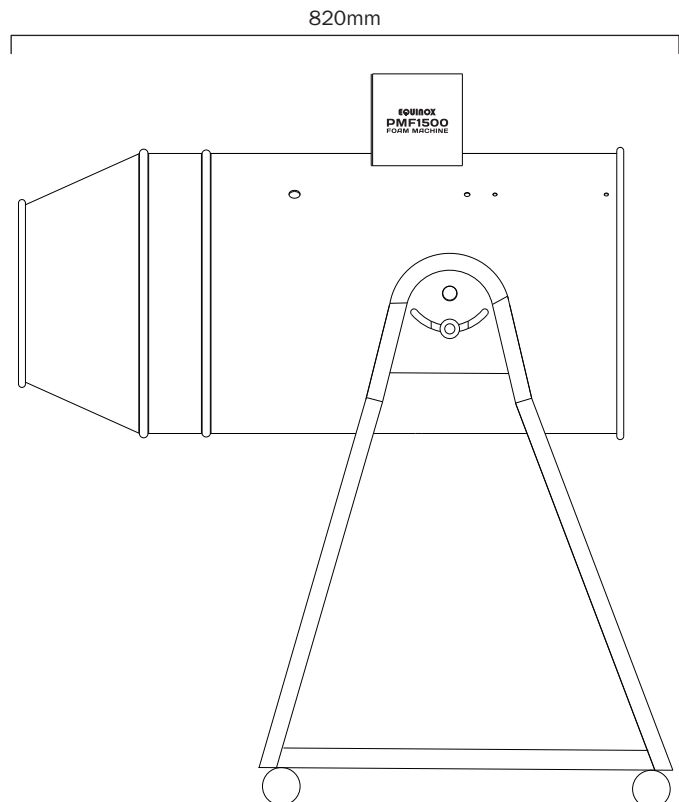
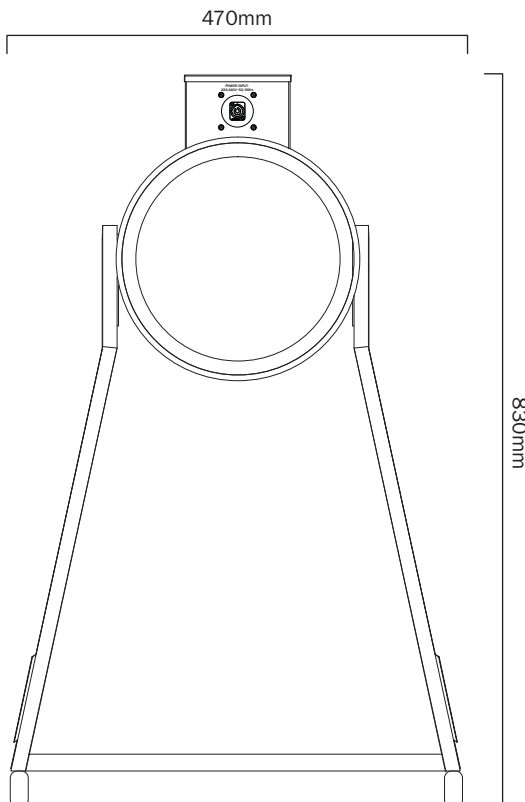
- Output volume: 5m³ per minute (full on)
- Output distance: 6-8m
- Fluid consumption: 67l/min
- Use with water based foam fluid

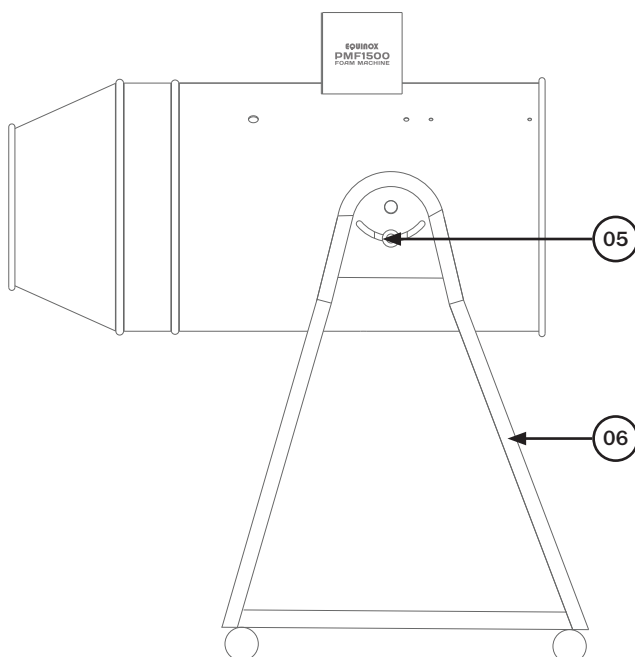
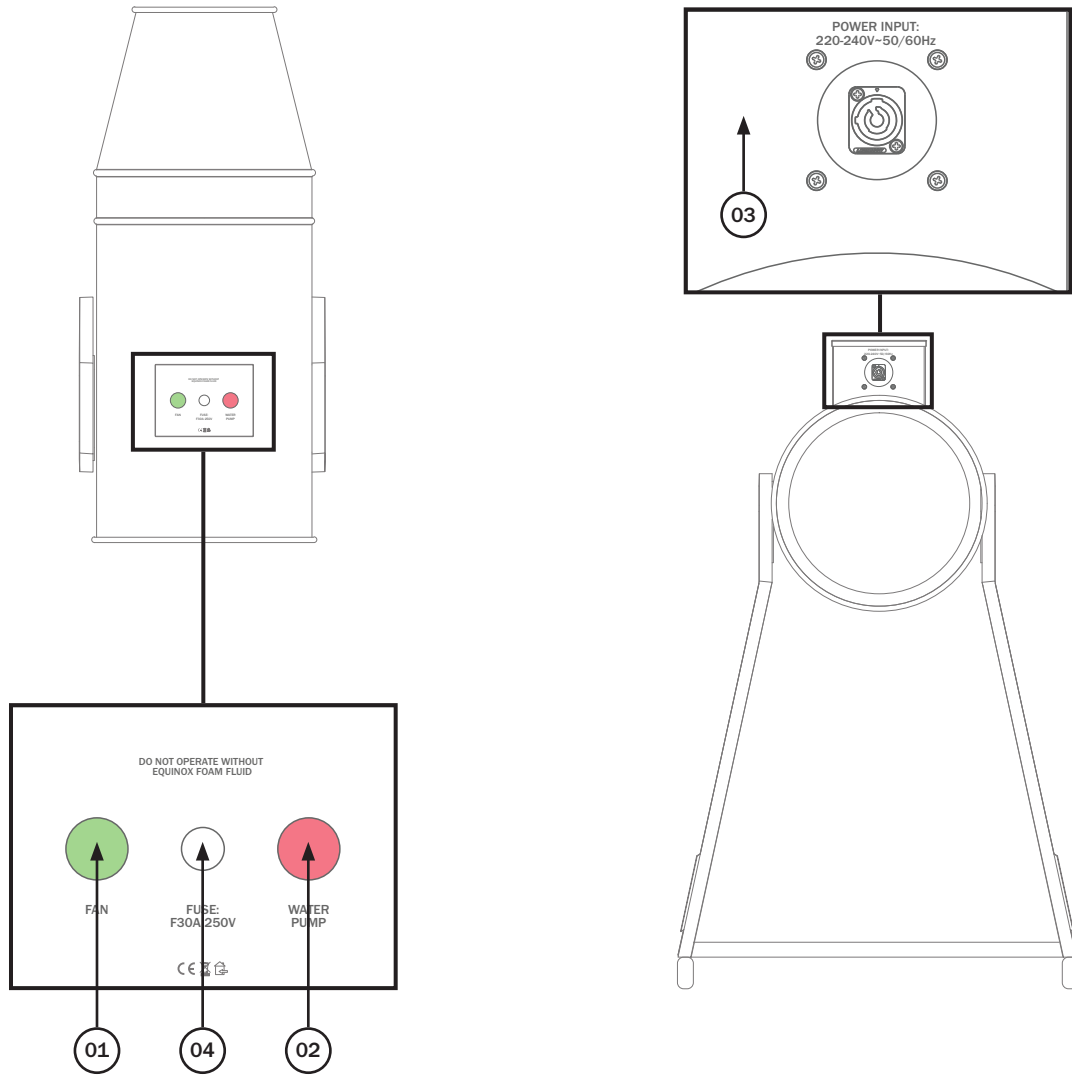


Specifications	
Power consumption	1500W (max.)
Power supply	220-240V, 50/60Hz
Unit dimensions	1040 x 620 x 890mm
Unit weight	32.5kg
Flight case dimensions with wheels	1220 x 1000 x 680mm
Flight case dimensions without wheels	1120 x 1000 x 680mm
Flight case weight	36.5kg
Total weight	69kg
Order code	EQLED394



Flightcase included





- 01 - Fan on/off switch
- 02 - Pump on/off switch
- 03 - PowerCON TRUE1 input
- 04 - Fuse: F30A 250V
- 05 - Bracket adjustment knobs
- 06 - Bracket

In the box:
1 x fixture,
1 x flightcase with
wheels, 1 x powerCON
TRUE 1 cable
& 1 x user manual

Installation:

Place the unit on a level surface.

Always disconnect it from the mains supply before filling as fluid could be spilled.

If fluid should get inside the main housing, disconnect the unit from the mains immediately and consult a technician.

Install the unit in a well-ventilated area. Use in an insufficiently ventilated room can lead to the condensation of the foam fluid. The resulting slippery surface can cause accidents. Keep a minimum distance of 3m around the unit.

Furthermore do not orientate the output aperture directly in the direction of the audience's eyes. In order to create the best effect, there should be a distance between the unit and the audience of at least 5m.

Only install the foam machine on fire resistant, scratch resistant and water resistant surfaces.

This unit is constructed for a free standing installation only. The unit can be used whilst in the base of the flightcase with the lid removed. Make sure all brakes are applied to the flightcase and the unit.

The operator must always make sure that the safety-relating and machine-technical installations are approved by an expert before operation for the first time and after any further changes are made.

The operator has to make sure that the safety-relating and machine-technical installations are approved by a qualified person once a year.

Important:

Please make sure you connect a substantial fluid source as 25 litres of fluid will only produce a maximum of 20 seconds full on foam output. Do not allow the fluid source to run dry.

To prevent the unit from overheating it is advised after 20 minutes on continuous operation you stop the unit outputting foam for approx. 10 minutes so the unit can cool down.

At the end of each operation water must be run through the pump to prevent seizure.



DANGER OF FIRE!

When installing the unit, make sure there is no highly flammable material (decoration articles etc) within a minimum distance of 3m



DANGER TO LIFE!

Disconnect from the mains before starting maintenance



Only use quality snow fluids recommended by your dealer. You must not use substances which are classified as 'DANGEROUS WORKING MATERIALS' or 'FLAMMABLE FLUIDS'.

Operation:

Connect the foam fluid input hose to a sufficient amount of foam fluid. Information on this can be found on the previous page.

Connect the unit to a mains power supply via a powerCON TRUE1 cable.

Now turn on the fan by pressing the green button situated on the top panel.

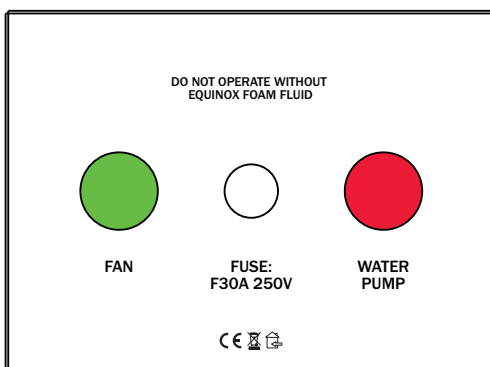
This will illuminate to indicate the fan is on.

Now turn on the pump by pressing the red button situated on the top panel.

This will illuminate to indicate the pump is on.

Please note: the pump will take a little time to pump the fluid through and start outputting.

This should be primed prior to use.



Cleaning and maintenance:

We recommend a frequent cleaning of the unit. Please use a soft lint-free and moistened cloth.

Never use alcohol or solvents!

The fluids we recommend are non-hazardous to the environment and can be disposed of via the sewage system.

There are no serviceable parts inside this unit.

Maintenance and service operations are only to be carried out by authorised dealers.

Replacing the fuse

Only replace the fuse with a fuse of the same type and rating.

Before replacing the fuse, unplug the mains cable.

Procedure:

Step 1: Open fuse holder on the top panel with a screwdriver.

Step 2: Remove the old fuse from the fuse holder.

Step 3: Install the new fuse in the fuse holder.

Step 4: Replace the fuse holder in the housing.

Should you need any spare parts, please use genuine parts.

Should you have any further questions, please contact your dealer.



Correct Disposal of this Product (Waste Electrical & Electronic Equipment)

**(Applicable in the European Union and other European countries
with separate collection systems)**

This marking shown on the product or its literature, indicates that it should not be disposed of with other household wastes at the end of its working life. To prevent possible harm to the environment or human health from uncontrolled waste disposal, please separate this from other types of wastes and recycle it responsibly to promote the sustainable reuse of material resources.

Household users should contact either the retailer where they purchased this product, or their local government office, for details of where and how they can take this item for environmentally safe recycling.

Business users should contact their supplier and check the terms and conditions of the purchase contract. This product should not be mixed with other commercial wastes for disposal.

