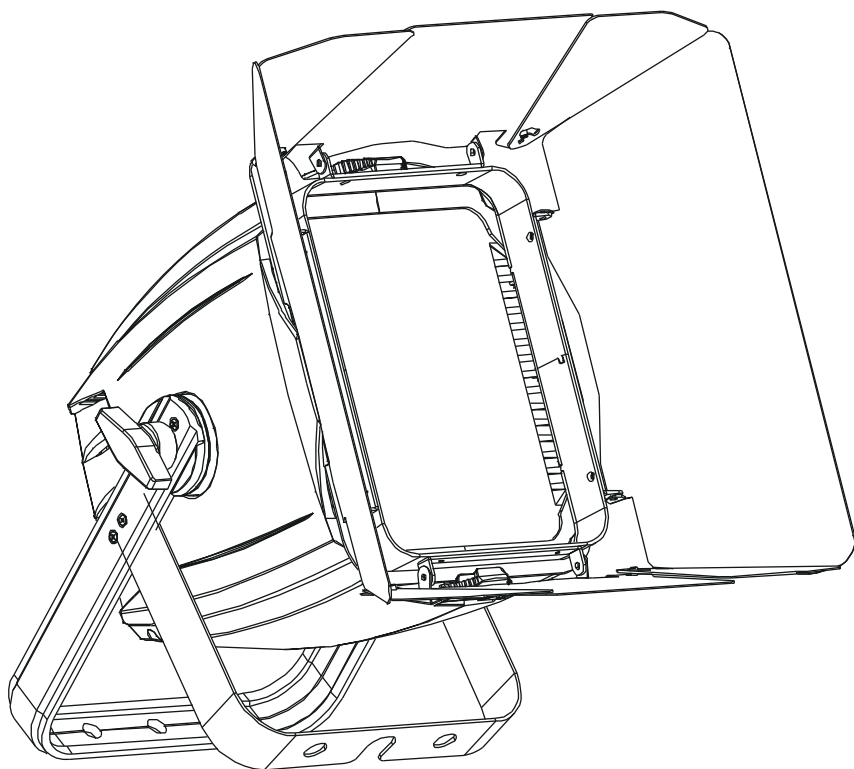


SCENE
STORE
EXPO

sfx

scenografx



SFX-HO150 QC

Contest® 

USER GUIDE
10701 - Version 1 / 02-2017

1 - Safety information

Important safety information



This unit is intended for indoor use only. Do not use it in a wet, or extremely cold/hot locations. Failure to follow these safety instructions could result in fire, electric shock, injury, or damage to this product or other property.



Any maintenance procedure must be performed by a CONTEST authorised technical service. Basic cleaning operations must thoroughly follow our safety instructions.



This product contains non-isolated electrical components. Do not undertake any maintenance operation when it is switched on as it may result in electric shock.

Symbols used



This symbol signals an important safety precaution.



The WARNING symbol signals a risk to the user's physical integrity. The product may also be damaged.



The CAUTION symbol signals a risk of product deterioration.

Instructions and recommendations

1 - Please read carefully :

We strongly recommend to read carefully and understand the safety instructions before attempting to operate this unit.

2 - Please keep this manual :

We strongly recommend to keep this manual with the unit for future reference.

3 - Operate carefully this product :

We strongly recommend to take into consideration every safety instruction.

4 - Follow the instructions:

Please carefully follow each safety instruction to avoid any physical harm or property damage.

5 - Avoid water and wet locations :

Do not use this product in rain, or near washbasins or other wet locations.

6 - Installation :

We strongly encourage you to only use a fixation system or support recommended by the manufacturer or supplied with this product. Carefully follow the installation instructions and use the adequate tools. Always ensure this unit is firmly fixed to avoid vibration and slipping while operating as it may result in physical injury.

7 - Ceiling or wall installation :

Please contact your local dealer before attempting any ceiling or wall installation.

8 - Ventilation :

The cooling vents ensure a safe use of this product, and avoid any overheating risk. Do not obstruct or cover these vents as it may result in overheating and potential physical injury or product damage. This product should never be operated in a closed non-ventilated area such as a flight case or a rack, unless cooling vents are provided for the purpose .

9 - Heat exposure :

Sustained contact or proximity with warm surfaces may cause overheating and product damages. Please keep this product away from any heat source such as a heaters, amplifiers, hot plates, etc..

10 - Electric power supply :

This product can only be operated according to a very specific voltage. These information are specified on the label located at the rear of the product.

11 - Power cords protection:

Power-supply cords should be routed so that they are not likely to be walked on or pinched by items placed upon or against them, paying particular attention to cords at lugs, convenience receptacles and the point where they exit from the fixture.

CAUTION
RISK OF ELECTRIC SHOCK
DO NOT OPEN

WARNING : This unit contains no user-serviceable parts. Do not open the housing or attempt any maintenance by yourself. In the unlikely even your unit may require service, please contact your nearest dealer.
In order to avoid any electrical malfunction, please do not use any multi-socket, power cord extension or connecting system without making sure they are perfectly isolated and present no defect.

Warning
This product is equipped with Class 2 LEDs.
Please avoid looking directly at the beam as it may cause severe eye injuries.

Recycling your device

- As HITMUSIC is really involved in the environmental cause, we only commercialise clean, ROHS compliant products.
- When this product reaches its end of life, take it to a collection point designated by local authorities. The separate collection and recycling of your product at the time of disposal will help conserve natural resources and ensure that it is recycled in a manner that protects human health and the environment.

12 - Cleaning precautions :

Unplug the product before attempting any cleaning operation. This product should be cleaned only with accessories recommended by the manufacturer. Use a damp cloth to clean the surface. Do not wash this product.

13 - Long periods of non use :

Disconnect the unit's main power during long periods of non use.

14 - Liquids or objects penetration :

Do not let any object penetrate this product as it may result in electric shock or fire. Never spill any liquid on this product as it may infiltrate the electronic components and result in electric shock or fire.

15 - This product should be serviced when :

Please contact the qualified service personnel if :

- The power cord or the plug has been damaged.
- Objects have fallen or liquid has been spilled into the appliance.
- The appliance has been exposed to rain or water.
- The product does not appear to operate normally.
- The product has been damaged.

16 - Inspection/maintenance :

Please do not attempt any inspection or maintenance by yourself. Refer all servicing to qualified personnel.

17 - Operating environment :

Ambient temperature and humidity: +5 - +35°C, relative humidity must be less than 85% (when cooling vents are not obstructed).

Do not operate this product in a non-ventilated, very humid or warm place.

2 - Technical specifications

Optical

- › 1 x 150W COB RGBW LED
- › Light output of 220 Lux at 4m
- › Colour temperature from 2800°K to 6000°K
- › Beam angle: 90°X113°

Functions

- › Built-in drop-down menu with LCD display to:
 - Select the DMX address
 - Select the number of channels: 1, 4, 6 or 8
 - Select dimmer curves and speed
 - Access to hour meter, temperature and soft version information
 - Test mode
- › Virtual colour wheel with 24 presets
- › 7 Macros with speed settings and music-sensitive mode
- › Strobe at adjustable speed

Connectors

- › DMX IN and OUT via 5-pin XLR,
- › POWER IN/OUT via Powercon® plugs

Additional information:

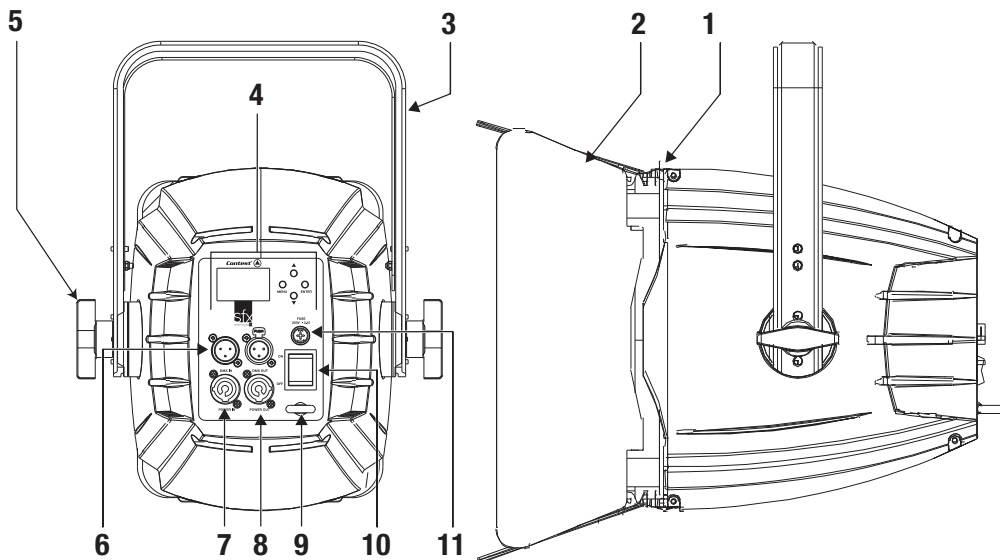
- › Power supply: 100-240V/50-60Hz
- › Power consumption: 155 W
- › Cooling system: Cooler cell system with thermal dissipator and silent fan
- › Finish: Black
- › Dimensions: 295 x 315 x 377 mm
- › Weight: 6,2 kg

Package contents:

The package must contain the following elements:

- › The projector
- › The user guide
- › One Powercon® / 2 poles + earth power cord
- › One filter holder
- › One rotative shutter system

3 - Description



- 1 Filter holder**
Allows you to add a colored filter and colorize your beam.

- 2 Rotative shutters**
Allow you to adjust the light output from the projector.

- 3 Display and menu buttons**
Display
Allows you to intuitively configure your device. Please refer to next paragraph for more details about the menu functions. The backlight can be turned off via the Backlight function from the menu.

MODE Button
Allows you to access the menu and select a function.

ENTER Button
Allows you to enter sub-menus and apply changes.

UP and DOWN buttons
Allows you to increase or decrease parameter values.

- 4 Suspension bracket**
Allows you to suspend and adjust the projector.



CAUTION!

Please make sure the tightening wheel is securely fastened.

Using a safety cable is mandatory.

When using this device in public places, current legislation requires that each device features a double fixation system to ensure its stability. This system must hold up to 10 times times the weight of the device, meaning you will be required to use a cable able to hold 62 kilos to support your SFX-H0150QC.

- 5 Tightening wheel for suspension bracket**
Allows to adjust the position of the projector and lock it in this position.

- 5 Locking latch**
Allows you to lock the filter holder and/or the rotative shutter system.

- 6 DMX input/output**

3 and 5-pin XLR plugs hardwired as follows:

- Pin 1: Mass
- Pin 2: Negative signal
- Pin 3: Positive signal
- Pin 5: Not connected
- Pin 6: Not connected

- 7 Power input socket**
Allows you to power up your projector via Powercon® / 2 poles + earth cable. This cable is supplied with the projector. Please make sure the voltage of your workplace matches this projector.

- 8 Power output socket**
Allows you to connect your projector to another projector with a Seetronic® Power male/female cord. This cord is not supplied with the projector. You can daisy-chain up to 24 SFX-H0150QC onto the same 16 amps source.

- 9 Beam angle jog wheel**
Hanging ring for safety cable.

- 9 ON/OFF Button**
Activates or deactivates your projector.

- 11 Fuse**
If need to change the fuse, please make sure the new fuse has the exact same characteristics as the old one.

4 - Internal menu

4.1 - Initialisation

Upon initialisation, the display will indicate:

```
Initialisation...
```

The projector initialises the functions of the internal program.
It will then enter standby mode and indicate:

```
Standby
      CPU  XX°C
      LED  XX°C
```

The projector is now ready to be used.

4.2 - Menu tree

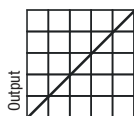
Menu	Sub-menu	Action
DMX Functions	DMX Address	Allows you to set the DMX address. Values from 001 to 512.
	DMX Channel Mode	Allows you to select the number of DMX channels used DMX modes: Mode 01 (1ch): Colours and Macros Mode 04 (4ch): Red/Green/Blue/White Mode 06 (6ch): Red/Green/Blue/White/Dimmer/Shutter Mode 08 (8ch): Red/Green/Blue/White/Dimmer/Shutter/Colours and Macros/ Speed and Microphone
	View DMX Value	Allows you to visualise the DMX value of the current function
Dimmer Curve	MOde 1	Brightness settings are proportional to values indicated by the display
	MOde 2	Brightness settings are exponential
	MOde 3	Brightness settings are inversely exponential
	MOde 4	Brightness increases slowly in lower values and strongly in higher values
Lamp Behaviour	Halogen LED	Allows you to adjust dimmer speed: Halogen : Progressive dimmer LED : Instant dimmer
Display Setting	Display Inverse	Rotates the display by 180°
	Backlight Auto Off	Turns off the backlight when the menu buttons have not been used for 3 seconds
	Contrast Ratio	Increases or decreases contrast Adjustable from 1 to 30
	Temperature Unit	Allows you to select the measure unit used to display the temperature. Celsius or Fahrenheit degrees

Menu	Sub-menu	Action
Fixture Test	Auto Test	Automatically tests every function of the projector.
	Manual Test	Allows to manually select and test any function
Fixture information	Fixture Use time	Displays time elapsed since the first time the projector was activated.
	Led Temp	Displays the LED temperature
	Firmware Version	Displays the current software version.
Factory Setting	Resets your projector to factory settings	

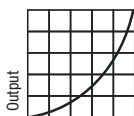
4.2 - More about the 4 DIMMER CURVE modes

Dimmer curves modes allow you to define the dimmer behaviour.

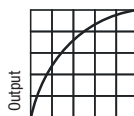
Please find below the 4 modes and the brightness increase depending on the mode and DMX channel levels.



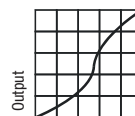
% DMX
Mode 1 : Linear



% DMX
Mode 2 : Exponential



% DMX
Mode 3 : Parabolic



% DMX
Mode 4 : S-shaped

5 - DMX modes

The projector enters DMX mode as soon as an incoming DMX signal has been detected.

5.1 - 1-channel mode

Canal	Values	Action
1	Colours and macros	
	000 - 007	LED off
	008 - 015	Red
	016 - 023	Orange
	024 - 030	Yellow
	031 - 038	Green
	039 - 045	Cyan
	046 - 053	Blue
	054 - 060	Pink
	061 - 068	Magenta
	069 - 075	Cold white
	076 - 083	Warm white
	084 - 090	White at full power
	091 - 098	Pastel pink
	099 - 105	Pastel apricot
	106 - 113	Very pastel ochre
	114 - 120	Pastel Green/ Yellow
	121 - 128	Pastel Pearl / Green
	129 - 135	Pastel Pearl / Grey
	136 - 143	Pastel Pearl
	144 - 150	Pastel Pearl /Blue
	151 - 158	Pastel Veronese Green
	159 - 165	Very pastel Lagoon
	166 - 173	Pastel sky blue
	174 - 180	Sky blue
	181 - 188	Pastel blue
	189 - 195	Macro 1
	196 - 203	Macro 2
	204 - 210	Macro 3
211 - 218	Macro 4	
219 - 225	Macro 5	
226 - 233	Macro 6	
234 - 240	Macro 7	
241 - 248	Music-sensitive colour macro 1: RGB	
249 - 255	Music-sensitive colour macro 1: RGBW	

5.2 - 4-channel mode

Channel	Values	Action
1	Red	
	000 - 255	000 : black out - 255 : 100%
2	Green	
	000 - 255	000 : black out - 255 : 100%
3	Blue	
	000 - 255	000 : black out - 255 : 100%
4	White	
	000 - 255	000 : black out - 255 : 100%

5.3 - 6-channel mode

Channel	Values	Action
1	Red	
	000 - 255	000 : black out - 255 : 100%
2	Green	
	000 - 255	000 : black out - 255 : 100%
3	Blue	
	000 - 255	000 : black out - 255 : 100%
4	White	
	000 - 255	000 : black out - 255 : 100%
5	Dimmer	
	000 - 255	Adjustable brightness from 0 to 100%
6	Strobe	
	000 - 031	LED off
	032 - 063	LED on
	064 - 095	Strobe effect at increasing speed
	096 - 127	LED on
	128 - 159	Pulse effects sequence
	160 - 191	LED on
	192 - 223	Random strobe effect at increasing speed
223 - 255	LED on	

5.4 - 8-channel mode

Channel	Values	Action
1	Red	
	000 - 255	000 : black out - 255 : 100%
2	Green	
	000 - 255	000 : black out - 255 : 100%
3	Blue	
	000 - 255	000 : black out - 255 : 100%
4	White	
	000 - 255	000 : black out - 255 : 100%
5	Dimmer	
	000 - 255	Adjustable brightness from 0 to 100%
6	Strobe	
	000 - 031	LED off
	032 - 063	LED on
	064 - 095	Strobe effect at increasing speed
	096 - 127	LED on
	128 - 159	Pulse effects sequence
	160 - 191	LED on
	192 - 223	Random strobe effect at increasing speed
223 - 255	LED on	

5.4 - 8-channel mode (continuation and end)

Channel	Values	Action
7	Colours and macros	
	000 - 007	LED off
	008 - 015	Red
	016 - 023	Orange
	024 - 030	Yellow
	031 - 038	Green
	039 - 045	Cyan
	046 - 053	Blue
	054 - 060	Pink
	061 - 068	Magenta
	069 - 075	Cold white
	076 - 083	Warm white
	084 - 090	White at full power
	091 - 098	Pastel pink
	099 - 105	Pastel apricot
	106 - 113	Very pastel ochre
	114 - 120	Pastel Green/ Yellow
	121 - 128	Pastel Pearl / Green
	129 - 135	Pastel Pearl / Grey
	136 - 143	Pastel Pearl
	144 - 150	Pastel Pearl /Blue
	151 - 158	Pastel Veronese Green
	159 - 165	Very pastel Lagoon
	166 - 173	Pastel sky blue
	174 - 180	Sky blue
	181 - 188	Pastel blue
	189 - 195	Macro 1
	196 - 203	Macro 2
	204 - 210	Macro 3
	211 - 218	Macro 4
219 - 225	Macro 5	
226 - 233	Macro 6	
234 - 240	Macro 7	
241 - 248	Music-sensitive colour macro 1: RGB	
249 - 255	Music-sensitive colour macro 1: RGBW	
8	Speed and music sensitivity	
	000 - 127	Slow to fast speed
	128 - 255	Increasing music sensitivity

6 - Colour values and macros

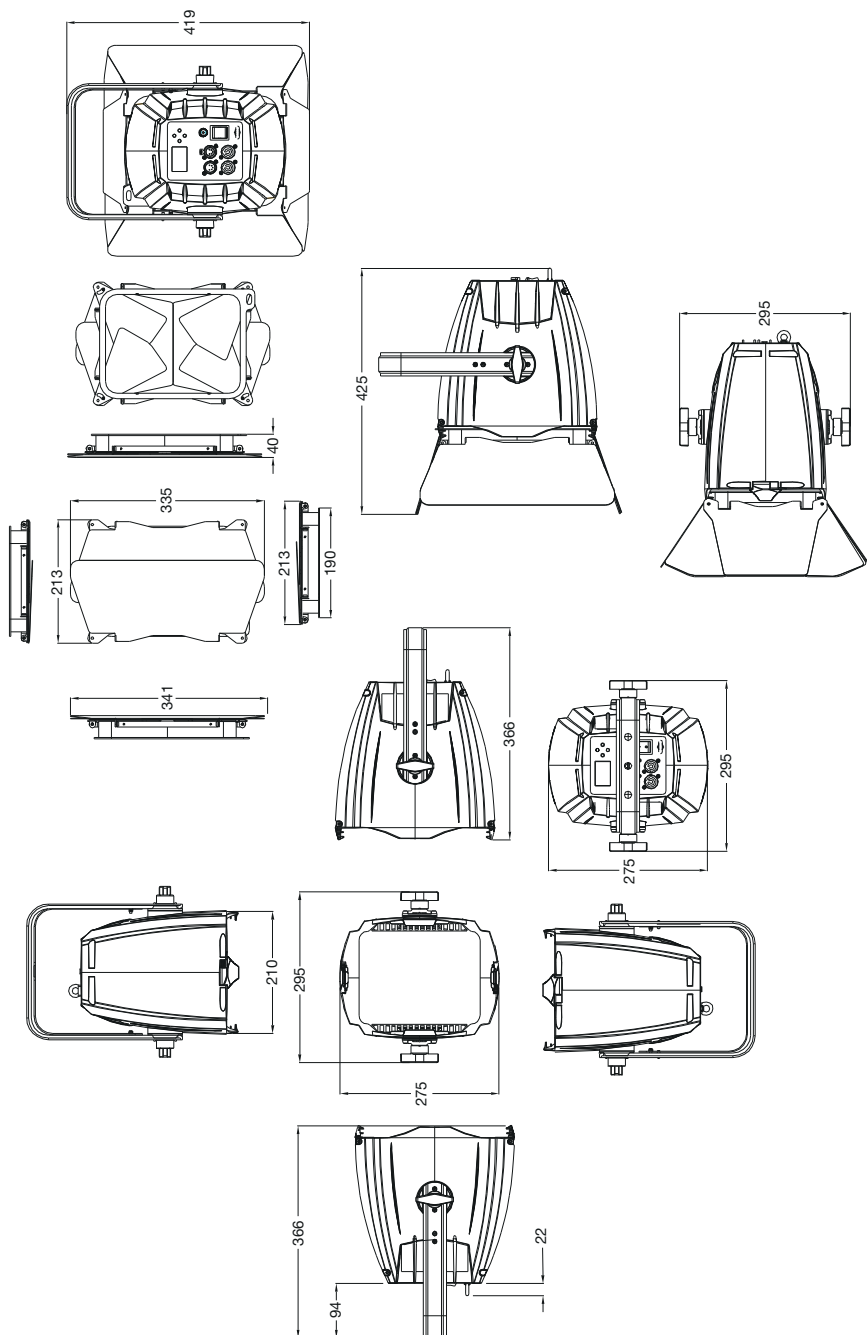
6.1 - Colour values

	DMX Values			
	RED	GREEN	BLUE	WHITE
Red	255	0	0	0
Orange	255	40	0	0
Yellow	255	237	0	0
Green	0	255	140	0
Cyan	0	0	255	0
Blue	0	0	255	0
Pink	155	0	235	85
Magenta	255	0	34	0
Cold white	20	239	216	255
Warm white	52	48	16	255
White at full power	95	255	134	255
Pastel pink	255	0	9	255
Pastel apricot	255	78	7	49
Very pastel ochre	195	139	9	16
Pastel Green/ Yellow	151	255	0	102
Pastel Pearl / Green	151	230	0	255
Pastel Pearl / Grey	151	95	9	158
Pastel Pearl	145	70	25	255
Pastel Pearl /Blue	52	152	180	184
Pastel Veronese Green	72	255	66	58
Very pastel Lagoon	48	255	81	34
Pastel sky blue	0	172	255	96
Sky blue	0	190	255	96
Pastel blue	45	190	255	167

6.2 - Macros

	Macros composition
Macro 1	Sequence: Red, Orange, Yellow, Green, Cyan, Blue, Pink, Magenta, Cold white, Warm White : step-mode
Macro 2	Sequence: Red, Green, Blue, White + Pastel colours: step-mode
Macro 3	Red to Yellow crossfade
Macro 4	Red to blue crossfade then Full power then Yellow then Blue then Pearl then Magenta then Cyan
Macro 5	Blue to Cyan crossfade
Macro 6	Blue to Red crossfade
Macro 7	Cold white to Warm white crossfade
Music-sensitive colour macro 1: RGB	Sequence: Red, Orange, Yellow, Green, Cyan, Blue, Pink, Magenta, Cold white, Warm white: music-sensitive
Music-sensitive colour macro 2: RGBW	Music-sensitive sequence including all colours

7 - Dimensions



Because CONTEST® takes the utmost care in its products to make sure you only get the best possible quality, our products are subjects to modifications without prior notice. That is why technical specifications and the products physical configuration might differ from the illustrations.

Make sure you get the latest news and updates about the CONTEST® products on www.contest-lighting.com
CONTEST® is a trademark of HITMUSIC S.A.S - Zone Cahors sud - 46230 FONTANES - FRANCE