

1	2
品牌	BOYA
长丰型号	BY-BM3011

7	8
修改名称	版本
变更内容	变更日期
变更担当	



BY-BM3011
Compact Shotgun Microphone
Instruction Manual

Instruction Manual

Thanks for choosing BOYA!

The BOYA BY-BM3011 is a compact and sturdy directional condenser microphone, which can improve the sound quality of videos on the basis of build-in microphones. With both TRS cable and TRRS output cable included, it can be used for Smartphones, Tablets, DSLR cameras, camcorders, audio recorder computers, and more.

With directional condenser capsule, the BY-BM3011 will decrease ambient noise while recording sound with greater clarity. It also features an integrated shock mount that can be mounted on a camera or boompole, and ideals for Youtubers, Vbloggers, facebook and more.

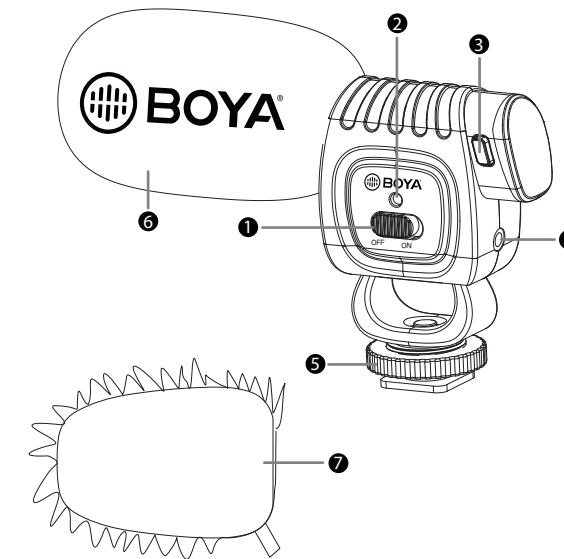
The BY-BM3011 includes a foam windscreen and a wind cover that helps to decrease vocal plosives and wind noise when recording dialog.

Package Contents

- Microphone
- Foam windscreen
- Fur windscreen
- 3.5mm TRS audio output cable
- 3.5mm TRRS audio output cable
- Instruction manual

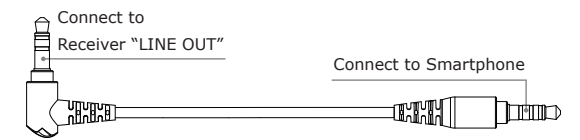
Instructure

- 1.OFF/ON switch
2. Indicator
3. Battery compartment button
4. 3.5mm headphone jack
5. Camera cold shoe mount with 1/4 screw
6. A BY-BM3011 microphone (foam windscreen included)
7. Fur windscreen



What's Difference?

- ① 3.5 mm TRRS connector
 - For Smartphone, tablet, Mac or laptop with combo headphone/Mic jack



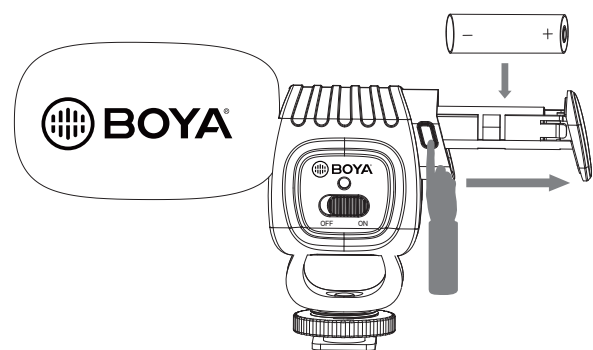
- ② 3.5 mm TRS connector
 - For cameras, camcorders, audio recorders and other audio/video recording devices.



How To Use It

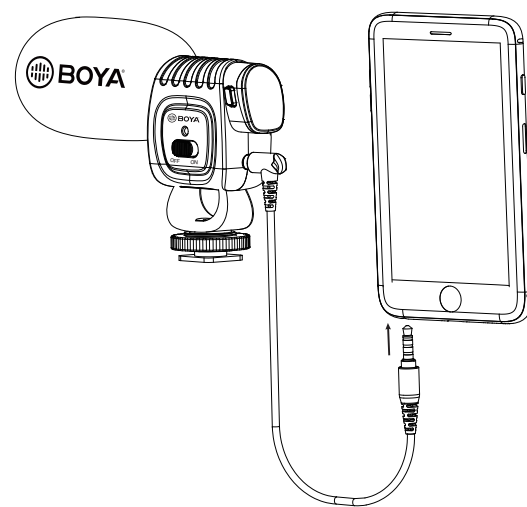
Insert battery

1. Push battery compartment bottom.
2. Pull the battery compartment out.
3. Install one AAA battery in right palority.
4. Close the battery compartment.



Using the microphone with a Smartphone, tablet or Mac.

1. Plug the 3.5 mm TRRS connector into the audio jack of your smartphone, tablet or Mac.
2. Open the audio-only or video recording app and begin recording.

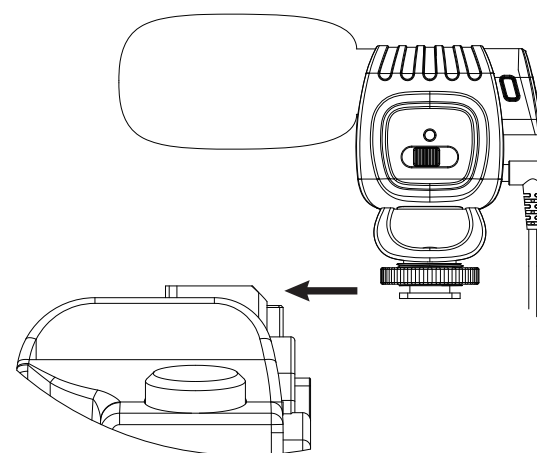


NOTE:

Not all Android devices support external microphone when taking video, and you may need to download a third-party app and set up sound source as external microphone.

Using the microphone with cameras, camcorders, audio recorders and other audio/video recording devices.

1. Lock the microphone on the camera hot shoe.
2. Plug the 3.5 mm TRS connector into the audio input jack of your device (audio recorder, amplifier, PC, laptop).



Features:

- Shotgun Mic for Smartphones, cameras, camcorders, audio recorders, PCs
- Compact Directional Condenser Microphone
- Higher Signal to Noise Ratio
- Integrated Shock Mount
- 1/4"-20 Socket For Use with Boom Pole
- 3.5mm Mini Plug Output Connector
- Foam Windscreen and Fur Wind Cover Included
- Durable ABS Construction

Specifications:

Acoustic Principle:	Condenser
Polar Pattern:	Cardioid
Frequency Response:	38 Hz - 20 kHz
Sensitivity:	-40±3dB (0dB=1V/Pa @ 1kHz)
Output Impedance:	100Ω
S/N:	75dB
Output Connector:	3.5mm
Cable:	3.5mm TRS audio output cable
	3.5mm TRRS audio output cable
Power Requirement:	One AAA battery
Operating time with battery:	72H
Size:	12.9x8.7x4.1cm
Weight:	70.5g (2.5oz)

www.boyamicro.com

SHENZHEN JIAYZ PHOTO INDUSTRIAL., LTD.
The BOYA logo is a trademark which is registered and owned by Shenzhen Jiayz Photo Industrial., Ltd.
COPY RIGHT 2010-2020
Email: sales@boyamicro.com
www.boyamicro.com / www.jiayz.com

技术要求:

- 1、表面无色差
- 2、无正负公差
- 3、包装标注尺寸为内尺寸



JIAYZ长丰 深圳市长丰影像器材有限公司

子件名称	BY-BM3011 说明书	版本	V00
子件编号	1F0300300154	材质	105g双铜纸 双面印刷 5折页
尺寸	100x140	比例	1:1
设计/日期	吴蒙蒙 2019-6-14	审核	暂无
		核准/日期	赵宏亮