


1	2
品牌	BOYA 长丰型号 BY-HM2

7	8			
修改名称	版本	变更内容	变更日期	变更担当
BY-HM2说明书	V02	参数更新	2019-11-2	吴蒙蒙



BOYA

BY-HM2
Digital Handheld Microphone

Instruction Manual

Instruction:

BOYA BY-HM2 is a cardioid handheld mic, which is specially designed for mobile devices.

With USB Type-C, USB-A and Lightning audio cables all included, it perfectly compatibles with most iOS, Android smartphones & tablets, Windows and Mac PC etc.

With cardioid polar pattern, it greatly helps mobile devices to focus on sound in front of the microphone and effectively reduce unwanted background noise.

With gain control on both microphone and Headphone, it allows users to adjust volume on both headphone and the microphone to get the best recording experience according to different environment.

A mini tripod and 3/8" to 5/8" microphone mount are included as well, which allow users to make any on desk recording like vlogging, live streaming and music recording, or the microphone could be mounted on any professional microphone stand with 3/8" or 5/8" male screw, perfect for live, speech and studio recording etc.

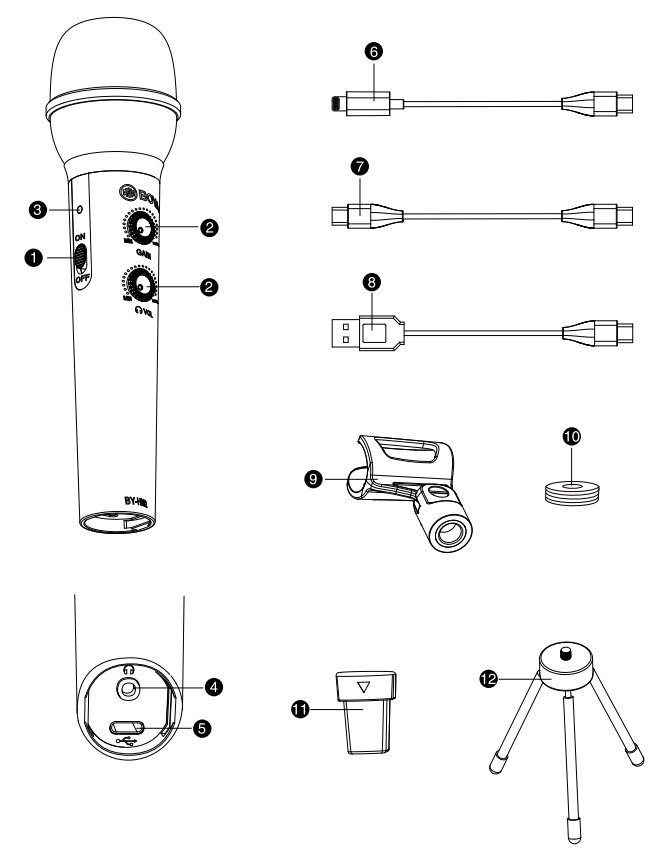
On the bottom of the microphone, there is an interchangeable USB Type-C socket that allow BY-HM2 to be used with different devices via different cables, the otherside is a built-in 3.5mm headphone output jack, and no latency headphone monitoring is allowed.

To protect earphone cables and audio cables in chaos environment, in the BY-HM2 kit, a very considerable cable protector will be included to protect cables from damaging.

Package Content:

- BY-HM2 microphone
- USB Type-C to Lightning audio cable
- USB Type-C to USB-A audio cable
- USB Type-C audio cable
- Microphone mini tripod
- A 3/8" to 5/8" microphone mount
- Cable protector
- Carrying Pouch
- Manual

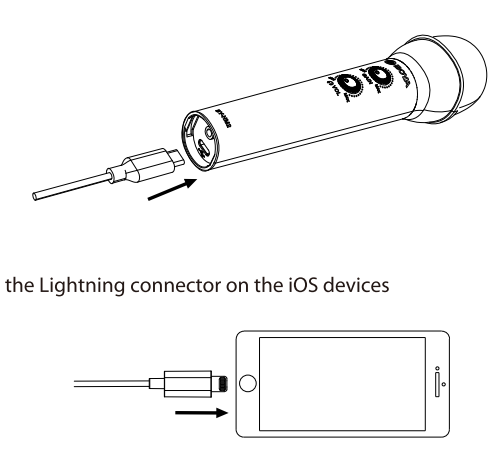
Main features:



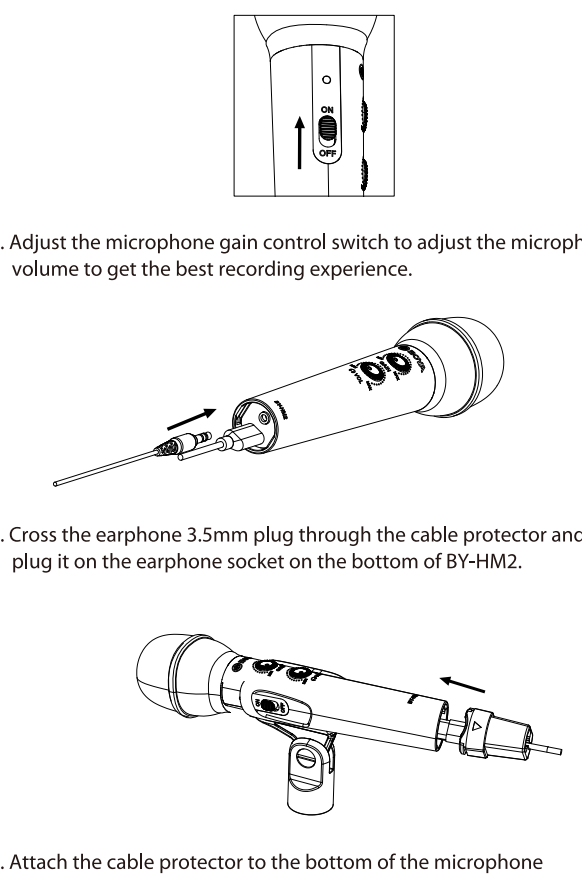
- On/Off switch
- Gain control switches for microphone and headphone
- Indicator light
- 3.5mm headphone monitoring jack
- USB Type-C socket
- USB Type-C to Lightning audio cable
- USB Type-C audio cable
- USB Type-C to USB-A audio cable
- 5/8" microphone mount
- 3/8" to 5/8" screw
- Cable protector
- Mini tripod

How to use BY-HM2 handheld mic with iOS devices:

- Use the USB Type-C to Lightning audio cable, cross the USB Type-C connector side through the cable protector and plug it on the USB Type-C socket on the bottom of BY-HM2.
- Plug the Lightning connector on the iOS devices



- Turn on the microphone, the LED indicator light will turn solid green.
- Adjust the microphone gain control switch to adjust the microphone volume to get the best recording experience.
- Cross the earphone 3.5mm plug through the cable protector and plug it on the earphone socket on the bottom of BY-HM2.
- Attach the cable protector to the bottom of the microphone

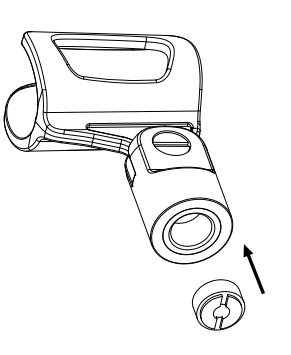


Android devices, Windows and Mac PC please refer to the usage of iOS devices.

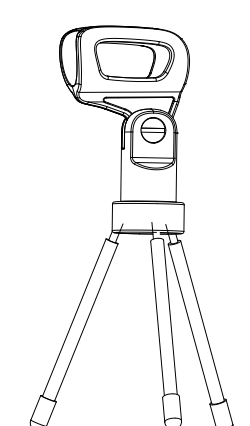
Please noted that Android built-in camera do not allow external microphone, when you using this microphone on Android devices, a third party audio/video App need to be download before you start recording.

For some applications,they do not allow no latency headphone monitoring.So if you found the sound could not be monitored while you are recording, please kindly check all the settings on your application and see if no latency sound monitoring is supported.

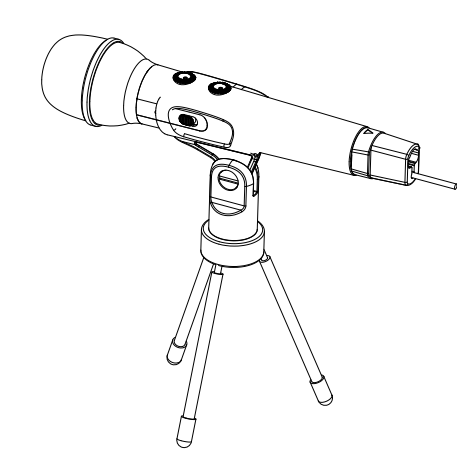
Accessories instruction:
Insert the 3/8" screw to the 5/8" screw on the bottom of the microphone mount



Lock the microphone mount on the mini tripod

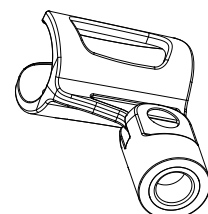


Put the microphone on the microphone mount



Put the microphone on other stand with 5/8" mount

Take out the 3/8" screw from the 5/8" mount



Lock the microphone mount on any 5/8" microphone stand
Put the microphone on the microphone mount

Tips and notes:

- Please keep the microphone away from dust and water.
- Please follow all the safety instruction.
- Please put the manual in safe place if you are about to sell it to customers.
- Please do not replace any components inside the microphone on your own.
- Please keep it away from children and pets.

Features:

- High quality handheld digital condenser microphone
- USB Type-C, USB-A, Lightning audio cables all included
- Compatible with iOS, Android mobile devices, Windows and Mac PC
- Intergrated gain control switches for microphone and headphone
- Mini tripod, 3/8" to 5/8" microphone mount included
- Zinc alloy construction

Specification:

Principle of acoustics:	Condenser
Polar pattern:	Cardioid
Frequency response:	20-20,000HZ
Sensitivity:	-40±3dB (0dB=1V/Pa@1KHz)
Signal to noise ratio:	85dB
Plug socket:	Type-C
Headphone output:	3.5mm TRS
A/D:	16bit/24bit
Sampling rate:	44.1kHz,48kHz,96kHz
Power requirement:	iOS, Android mobile devices & PC
Size:	Ø50*225mm (Ø1.9x8.8")
Cables included:	USB Type-C to USB-A USB Type-C to Lightning USB Type-C to USB Type-C
Cable length:	2m (6.6ft)
Construction:	Zinc alloy
Weight:	345g (12oz)
Working environment temperature:	-10 C -55 C

www.boya-mic.com

SHENZHEN JIAYZ PHOTO INDUSTRIAL, LTD.
The BOYA logo is a trademark which is registered and owned by Shenzhen Jiayz Photo Industrial, Ltd.
COPY RIGHT 2010-2020
TEL: 400 6131096
Email: sales@boya-mic.com
www.boya-mic.com / www.jiayz.com

受控文件
 2019-11-2
 长丰影像

- 技术要求:
- 1、表面无色差
 - 2、无正负公差
 - 3、包装标注尺寸为内尺寸



JIAYZ 长丰 深圳市长丰影像器材有限公司					
子件名称	BY-HM2说明书	版本	V02		
子件编号	1F0300300217	材质	105g双铜纸 双面印刷 5折页		
尺寸	100x160	比例	1:1	单位	mm
设计/日期	吴蒙蒙 2019-11-2	审核	暂无	核准/日期	赵宏亮