


	1	2
品牌	BOYA	长丰型号 BY-WM6S

7	8
修改名称	版本
	变更内容
	变更日期
	变更担当



BOYA
BY-WM6S
UHF Wireless Microphone System
Instruction Manual

Instruction

Thank you for purchasing BOYA BY-WM6S!

The BOYA BY-WM6S is a new generation UHF wireless microphone system, compatible with smartphone, tablet, DSLR camera, camcorder, audio recorder and more.

With low-interference capacity and UHF transmission with true-diversity reception, it helps users guard against many kinds of troubles, even under difficult shooting conditions, and delivers the broadcast sound quality and integrity of audio.

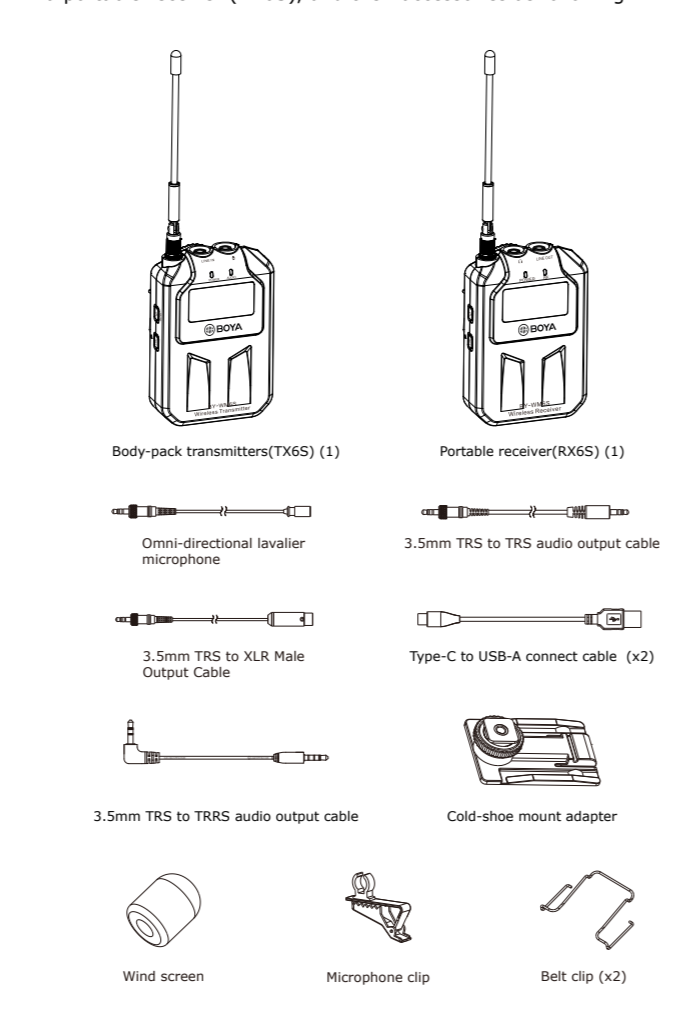
It runs on built-in rechargeable batteries or powered by Type-C DC 5V.

This system is designed with a compact and rugged housing and a detachable antenna that easily carries to indoor and outdoor environments.

Features

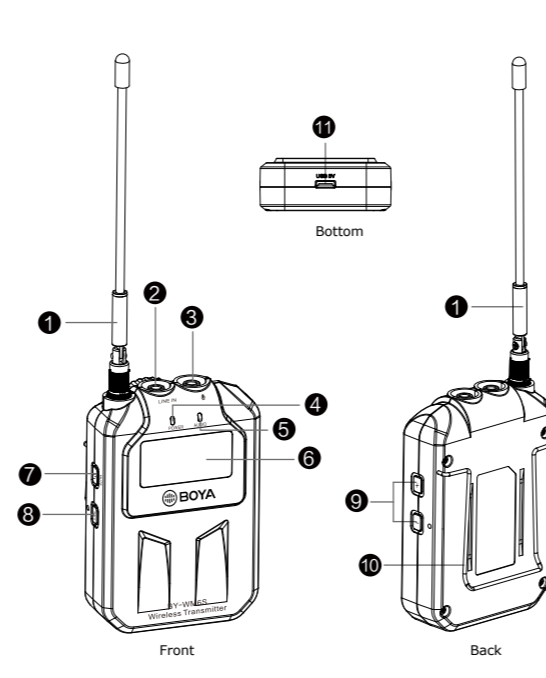
- For mobile journalist, vlogger, filmmaker and videographer
- Compatible with smartphone, tablet, DSLR camera, camcorder, audio recorder
- Deliver clean and broadcast-quality sound for recording
- UHF transmission with 48 channels
- Omnidirectional lavalier microphone included
- Easy-to-read LCD displays
- USB Type-C ports for battery recharging
- Rugged all-metal construction
- Up to 70m (230') (without obstacle) operation range
- Mute function
- 3.5mm headphone output

The **BY-WM6S** consists of one body-pack transmitter (TX6S), a portable receiver (RX6S), and their accessories as following:



Body-pack transmitters (TX6S) (x1) Portable receiver (RX6S) (x1)
Omnidirectional lavalier microphone 3.5mm TRS to TRS audio output cable
3.5mm TRS to XLR Male Output Cable Type-C to USB-A connect cable (x2)
3.5mm TRS to TRRS audio output cable Cold-shoe mount adapter
Wind screen Microphone clip Belt clip (x2)

Transmitter



1. Antenna
2. Microphone input
Connect the supplied lavalier microphone here. Fully insert the microphone's 3.5mm TRS plug and make sure it clicks into place, then lock the plug. To remove, release the locking mechanism, then pull the plug out.
3. Power indicator

For more details about LED indicator, please refer to as following:

Status	LED	"POWER"	"AUDIO"	"RF"
The transmitter and the receiver is connected	Transmitter	✓	✓	/
The transmitter and the receiver is disconnected	Receiver	✓	/	✓
The transmitter and the receiver is connected, and muting function is on	Transmitter	✓	Flashes blue	/
The transmitter or the receiver is in low power	Transmitter	✓	/	✓
The transmitter or the receiver is in charging	Transmitter	Flashes red	/	/
	Receiver	/	/	✓

Notes: "✓" means the LED light is on. "x" means the LED light is off.

5. AUDIO indicator
6. LCD display
For details, please refer to "LCD display Operation Guide" on page 8.

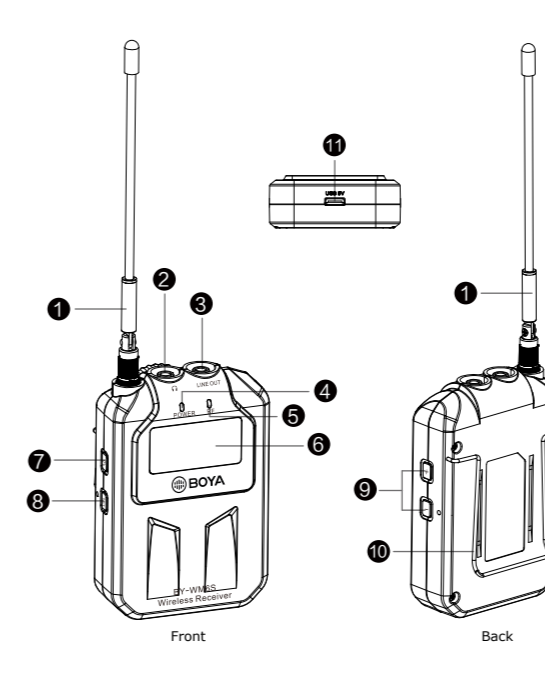
7. Power/Mute button
1) Long press the power of the transmitter ON or OFF.
2) Short press to mute

8. SET button
Channel / Light setting

9. + (selection)/- (- selection) buttons
Press these buttons to set the transmission channel, light setting.

10. Belt clip
11. USB Type-C charging port


Receiver




1. Antenna
2. Headphone output
3. LINE OUT
(3.5mm diameter stereo mini jack)
Connect one end of the supplied stereo 3.5mm TRS to TRS or XLR to XLR Male output cable here, and the other end to the microphone input on a DSLR camera, camcorder, mixer, or amplifier etc.
4. Power LED
For more details about LED indicator, please refer to page 5.

What's difference?


① For Smartphone, tablet, Mac or laptop with combo headphone/mic jack




② For cameras, camcorders, audio recorders and other audio/video recording devices.



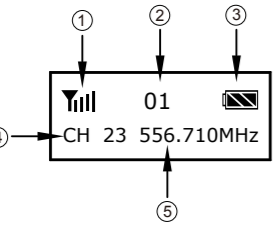
③ USB Type-C to USB-A charging cable
- Using this cable, the devices with USB-A output can deliver power to BY-WM6S.



④ The end of XLR is connected to audio devices with a standard XLR input, such as mixer, amplifier, and more.




LCD Display Operation Guide
Receiver



1. Signal level
2. Volume setting (1-16)
- Press the SET button to volume setting
- Press the +/- (+/- selection) button to adjust volume.
3. Battery indication
4. Channel number (1-48)
5. Frequency

Mute function

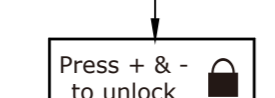
Mute On



- Transmitter is mute on.


Lock function

Press + & - to unlock



- LCD will be locked automatically in 30 seconds.
- Long press bottoms "+" and "-" to unlock.

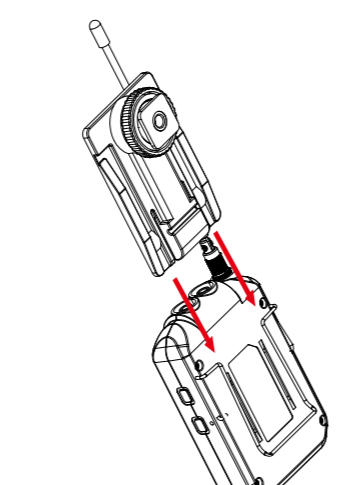
Charging status



- This indication shows the battery is charging.

Attaching the shoe mount adapter

- Please attach the belt clip in the direction of the shown picture before attaching the shoe mount adapter.
- Slide the adapter down fitting into the vertical slot between the belt clip and the receiver.
- Make sure the adapter insert into the space slot in parallel until it properly fits into the horizontal groove and locks.



Setting the Transmitter and the Receiver

To connect the transmitters and the receiver, follow these steps:

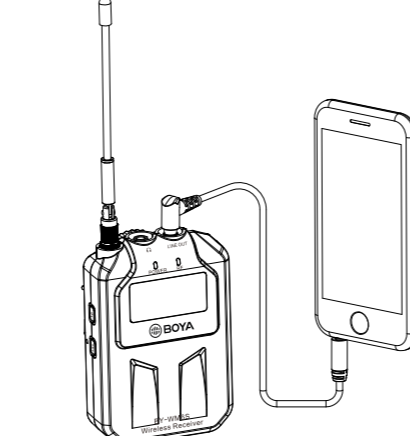
- Make sure the supplied lavalier microphones are connected to the transmitter microphones input or plug a line-level source into the transmitter line input.
- Turn on the transmitters and the receiver.
- Set the transmitters and the receiver to the same channel. If you are experiencing interference or noise on one channel, try a different channel.
- When the headphone volume low, plug your headphones into the receiver and gradually raise the level to a comfortable volume for monitoring the transmission.
- The Channel and Volume of the Transmitter and the Receiver are default value when turn on them for the first time.
- Adjust channel as you need.
- Adjust as necessary to make sure an ample level is being transmitted to the receiver.
- The objective is to transmit the highest level without distortion for the best signal-to-noise ratio throughout the signal path.
- Once you have determined the transmission quality and level are good, mount the transmitter and the receiver.

NOTE:
If you are connecting the receiver to a sound system, mute the sound system. Do not monitor with the headphones at the stage. Anytime you are changing the channel, remove your headphones and mute connected sound systems to avoid audible RF noise bursts.

Connecting the transmitter and receiver
Using the microphone with smartphone, tablet, Mac or laptop with combo headphone/Mic jack.

Receiver

- Mount receiver to smartphone, tablet, Mac or laptop.
- Using TRRS cable, plug the 3.5 mm connector (straight plug) into the audio jack of your smartphone.
- Insert the 90° plug of the connecting cable into the receiver "LINE OUT" jack.
- Insert earphone into receiver "C" for monitoring sound if you need.
- Long press the power ON/OFF button (the "POWER" indicator will light in blue)
Caution: Please do not mix up plug, for details, please refer to "What's difference?" on page 7.

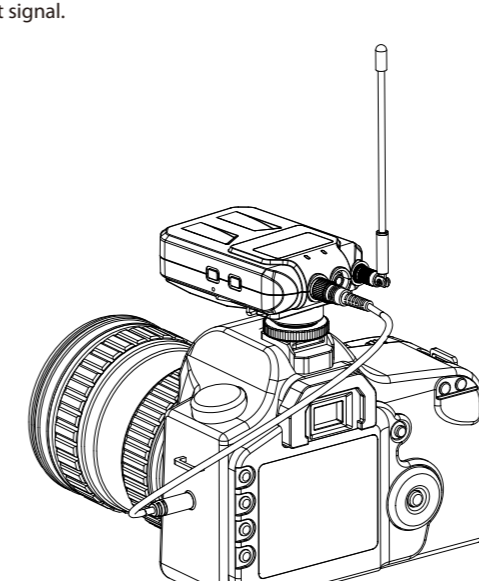


NOTE:
Not all Android devices support external microphone when taking video, and you may need to download a third-party app and set up sound source as external microphone.

Using the microphone with cameras, camcorders, audio recorders and other audio/video recording devices.

Receiver

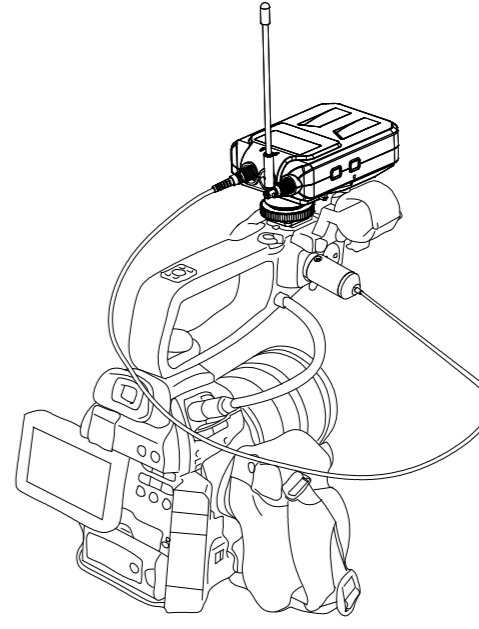
- Mount receiver to cameras, camcorders, audio recorders and other audio/video recording devices.
- Using TRS cable, plug the 3.5 mm connector into the audio jack of your camera.
- Insert the other end of the connecting cable into the receiver "LINE OUT" jack.
- Insert earphone into receiver "C" for monitoring sound if you need.
- Long press the power ON/OFF button (the "POWER" indicator will light in blue)
- Please make sure the antenna is oriented to the subject getting the best signal.



Using the microphone with camcorders and other XLR recording devices.

Receiver

- Mount receiver to camcorders and other XLR audio/video recording devices.
- Using the supplied XLR cable, plug the terminal of XLR connector into the audio jack of your camcorder.
- Insert the other end of the connecting cable into the receiver "LINE OUT" jack.
- Insert earphone into receiver "C" for monitoring sound if you need.
- Press the power ON/OFF button (the "POWER" indicator will light in blue)
- Please make sure the antenna is oriented to the subject getting the best signal.



Troubleshooting

If you have any problem using the BY-WM6S components, use the following checklist. If any problem persists, please consult our local dealer, or contact us directly.

Status	Cause	Measure
The units does not turn on	The batteries of BY-WM6S TX exhausted.	Use the supplied USB Type-C cable to charge it.
The batteries become drained quickly.	The BY-WM6S components is being used under extremely cold conditions. The BY-WM6S components is being used under extremely hot conditions.	The batteries drain quickly under extremely cold conditions. The batteries drain quickly under extremely hot conditions.
There is no sound.	There are in different channel on both transmitter and receiver. There do not have a good connection with the lavalier. There do not have a well connection with the earphone.	Keep the same channel on both transmitter and receiver. Please try to reconnect it again.
The sound is weak.	The input level of the receiver is low.	Please try to reconnect it again. The input level of the transmitter is low. Adjust the audio output level on the transmitter. Keep this level as high as possible without distortion to reach best Sound and Noise Ratio.
There is distortion in the sound.	Insert the lavalier incorrectly into the MIC IN jack. The input level of the receiver is inappropriate.	Pull it out and reconnect to the MIC IN jack. Adjust the audio output level on the transmitter. Keep this level as high as possible without distortion to reach best Sound and Noise Ratio.
	There are in different channel on both transmitter and receiver. Headphone with a non-audio mini jack is used.	There are in different channel on both transmitter and receiver. Keep the same channel as both the transmitter and receiver. Use the headphones with a stereo mini jack.

Status	Cause	Measure
	RF interference	There can be a lot of RF interference outdoors. Try moving indoors, where there is less RF interference. Overhead fluorescent lights, and metal fences can all cause interference. Turn off all nearby computers and mobile phones.
The audio is noisy or distorted. This situation can include dropouts, white noise, hums, pops and clicks.	RF signal is weak.	Make sure there is an unobstructed line of sight between the transmitter and the receiver. Keep in mind that your body, clothes, and outages are any possible obstructions. If there are obstructions, you may need to move closer.
	The input level on the camera, recorder, or mixer is too high.	Turn down the audio input level on your camera or recording device. Turn down the audio output level on the receiver. Turn down the gain level on mixer.
Too much ambience is being picked up.	When using an omnidirectional microphone like the one included with this system, the microphone may be picking up too much ambience.	Make sure the microphone is as close as to the subject as possible.

FCC STATEMENT:

This device complies with part 15 of the FCC Rules. Operation is subject to the following two conditions:
(1) This device must not cause harmful interference.
(2) This device must accept any interference received, including interference that may cause undesired operation.

Warning: Changes or modifications to this unit not expressly approved by the party responsible for compliance could void the user's authority to operate the equipment.

NOTE: This equipment has been tested and found to comply with the limits for a Class B digital device, pursuant to Part 15 of the FCC Rules. These limits are designed to provide reasonable protection against harmful interference in a residential installation. This equipment generates, uses and can radiate radio frequency energy and, if not installed and used in accordance with the instructions, may cause harmful interference to radio communications.

However, there is no guarantee that interference will not occur in a particular installation. If this equipment does cause harmful interference to radio or television reception, which can be determined by turning the equipment off and on, the user is encouraged to try to correct the interference by one or more of the following measures:
- Reorient or relocate the receiving antenna.
- Increase the separation between the equipment and receiver.
- Connect the equipment into an outlet on a circuit different from that to which the receiver is connected.
- Consult the dealer or an experienced radio/TV technician for help.

RF warning statements:
The device has been evaluated to meet general RF exposure requirement. The device can be used in portable exposure condition without restriction.

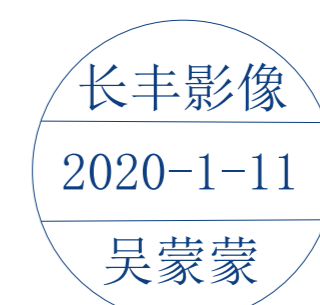
Specifications

Channel number	48
Oscillator type	PLL synthesizer
Carrier frequencies	556.710-575.980MHz
Reference deviation	+/-5KHz(-60dB, 1kHz input)
Signal to noise ratio	82dB or more
RF output power	10mW
Distortion	0.1% or less
Antenna	1/4λ wire antenna
Headphone output level	30mW(16 ohm)
Receive sensitivity	-98dBm
Frequency response	40Hz to 18kHz (+/-3dB)
Reference audio input level	-60dB (MIC input, 0dB attenuation)
Power requirement	Built-in Li-Ion battery 1600mAh DC5V (USB TYPE-C)
Dimensions	60x24x90mm (2.4"x0.9"x3.5")
Weight	149g (5.3oz)

www.boy-mic.com

SHENZHEN JIAYZ PHOTO INDUSTRIAL, LTD.
The BOYA logo is a trademark which is registered and owned by Shenzhen Jiaz Photo Industrial, Ltd.
COPY RIGHT 2010-2020
TEL: 400 6131996
Email: sales@boy-mic.com
www.boy-mic.com / www.jiayz.com

- 技术要求:
- 表面无色差
 - 无正负公差
 - 包装标注尺寸为内尺寸



JIAYZ 长丰 深圳市长丰影像器材有限公司

子件名称	BY-WM6S说明书	版本	V00
子件编号	1F0300300252	材质	105双铜纸, 骑马钉 20P
尺寸	100x160	比例	1:1 单位 mm
设计/日期	吴蒙蒙 2020-1-11	审核	暂无 核准/日期 赵宏亮