

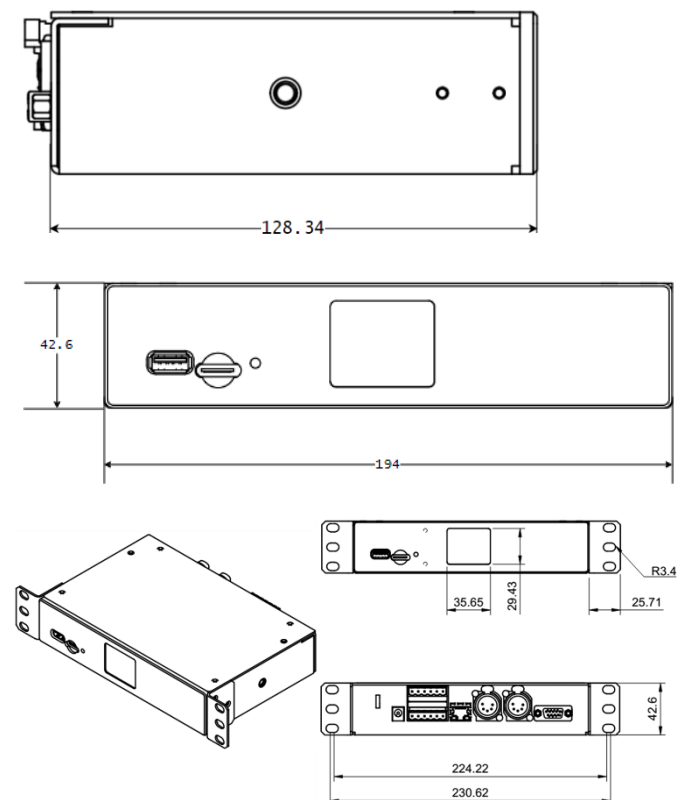
S-PLAY



Features

- In built controls to record and play cues
- USB port to backup and restore device
- Four digital inputs to trigger device from external sources
- Two relay outputs to control devices
- Monitor the DMX values for recording cues
- Create playlists from dynamic and static cues
- Add events and triggers to playlists
- Two Universe DMX output or Input
- Up to 16 Universes in ArtNet and sACN
- Schedule playlists
- Mapping different protocols to different ports
- Remote trigger options: RS232, ArtNet, DMX, GPIO, sACN, OSC

Physical Dimensions



Wiring Diagrams

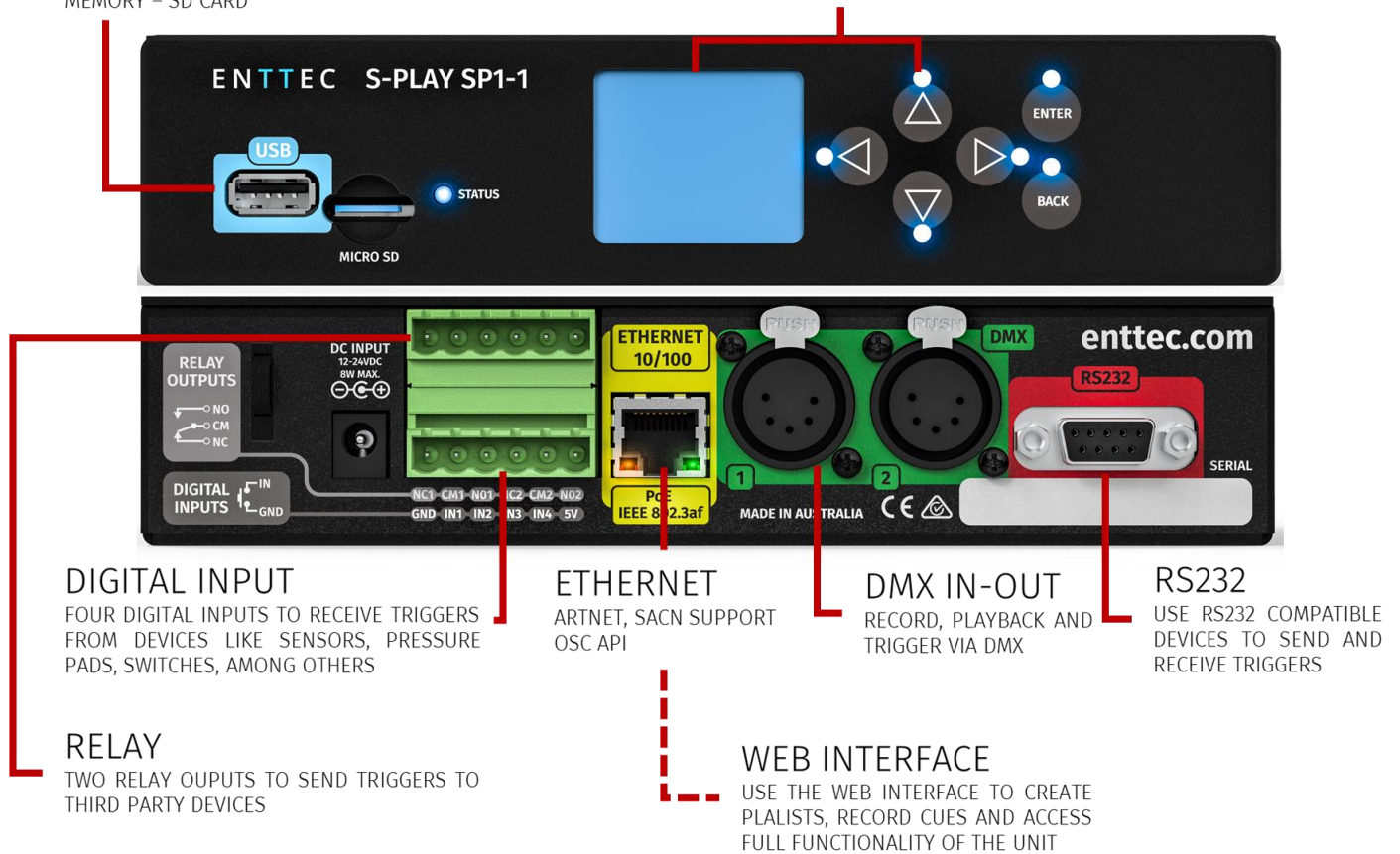
USB

USE A USB DRIVE OR SD CARD TO BACKUP AND RESTORE FILES

SELECT BETWEEN INTERNAL AND EXTERNAL MEMORY - SD CARD

USER INTERFACE

LCD SCREEN MENU AND NAVIGATION
BUTTONS TO ACCESS PLAYLISTS AND CUES



Safety

- This unit is intended for indoor use only.
- Do not expose this device to rain or moisture, doing this will void the warranty.
- Make all the connections before you plug in the mains power
- Do not remove the cover, there are no user serviceable components inside.
- Never plug this unit in to a dimmer pack
- Ensure proper earth connections
- Always be sure to mount this unit in an area that will allow proper ventilation. Allow about 6" (20 cm) between this device and a wall.
- Power-supply cords should be routed so that they are not likely to be walked on or pinched by items placed upon or against them, pay particular attention to the point they enter and exit the unit.

Ordering Information

SKU	Description
70092	S-Play

Specifications

Item	Value
Input Voltage	12 V DC to 24 V DC
Universes	2DMX Up to 16 ArtNet and sACN
PoE	IEEE 802.3af
Output Protocol	DMX512/Art-Net/sACN
Connectors	2X DMX 5Pin 1X RJ45 1X RS232 1X DC Jack 1X USB Host 4X Dry Inputs 2X Relay Outputs 1X Micro SD
IP Rating	IP 20
Operating Temperature	-10° to 50° C
Relative Humidity	0 – 95% (Non-Condensing)
Cooling Method	Convection
Shipped Weight	1.25 Kg / 2.76 lb
Packaging Dimensions	272 X 204 X 102 mm

Due to continuous improvements and innovations of all ENTTEC products, specifications and features are subject to change without notice.

enttec.com

MELBOURNE AUS / LONDON UK / RALEIGH-DURHAM USA