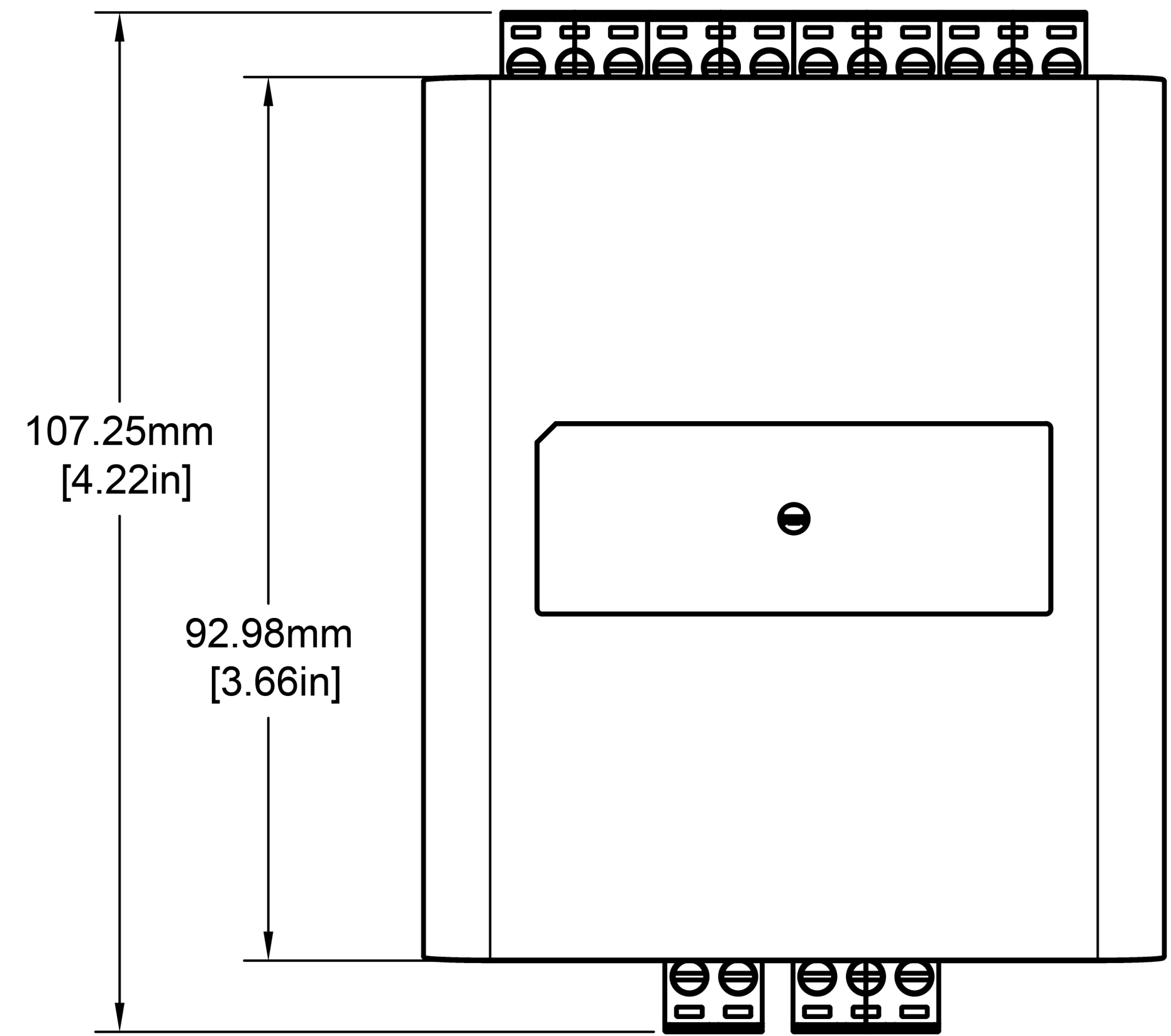
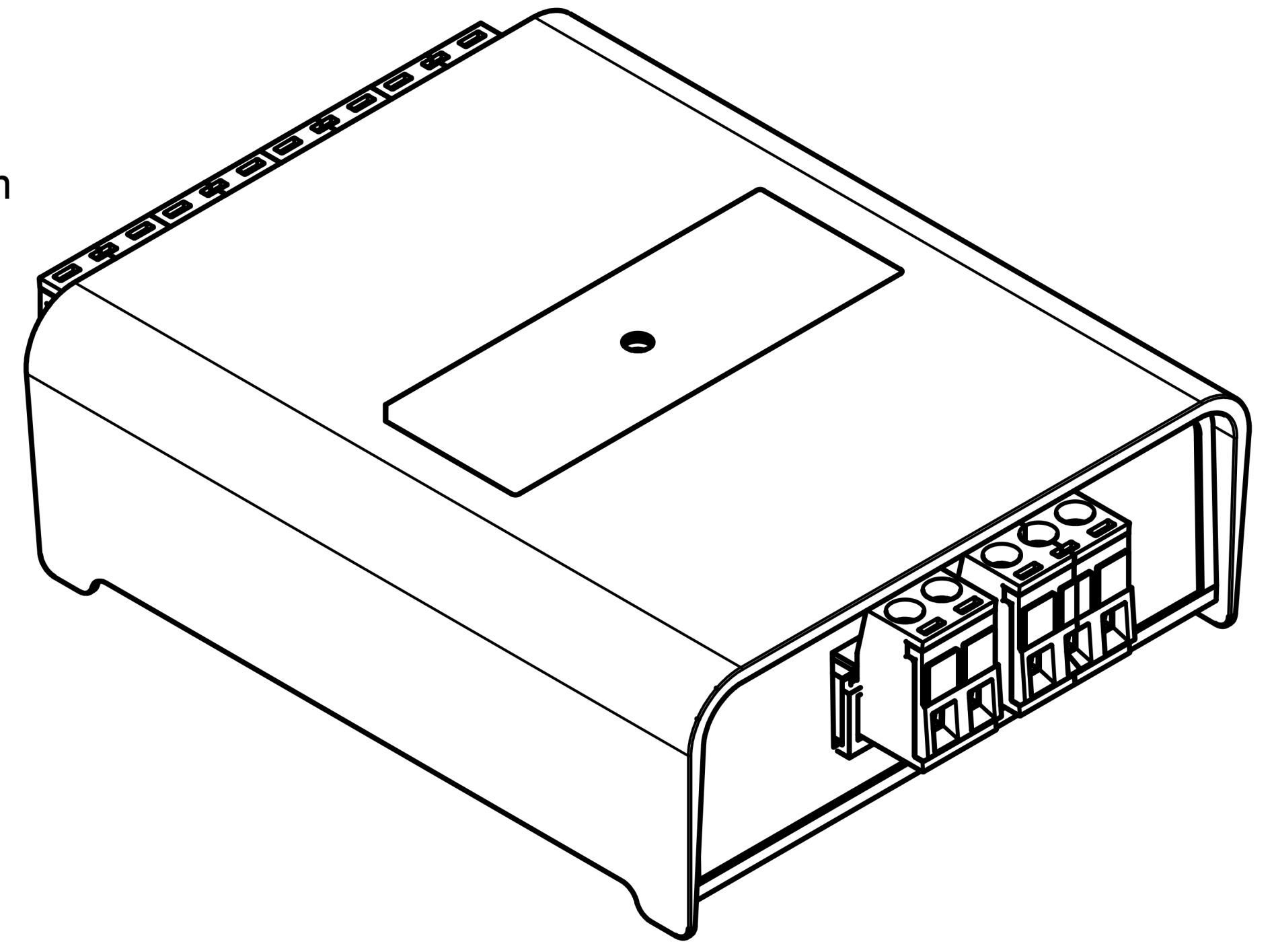
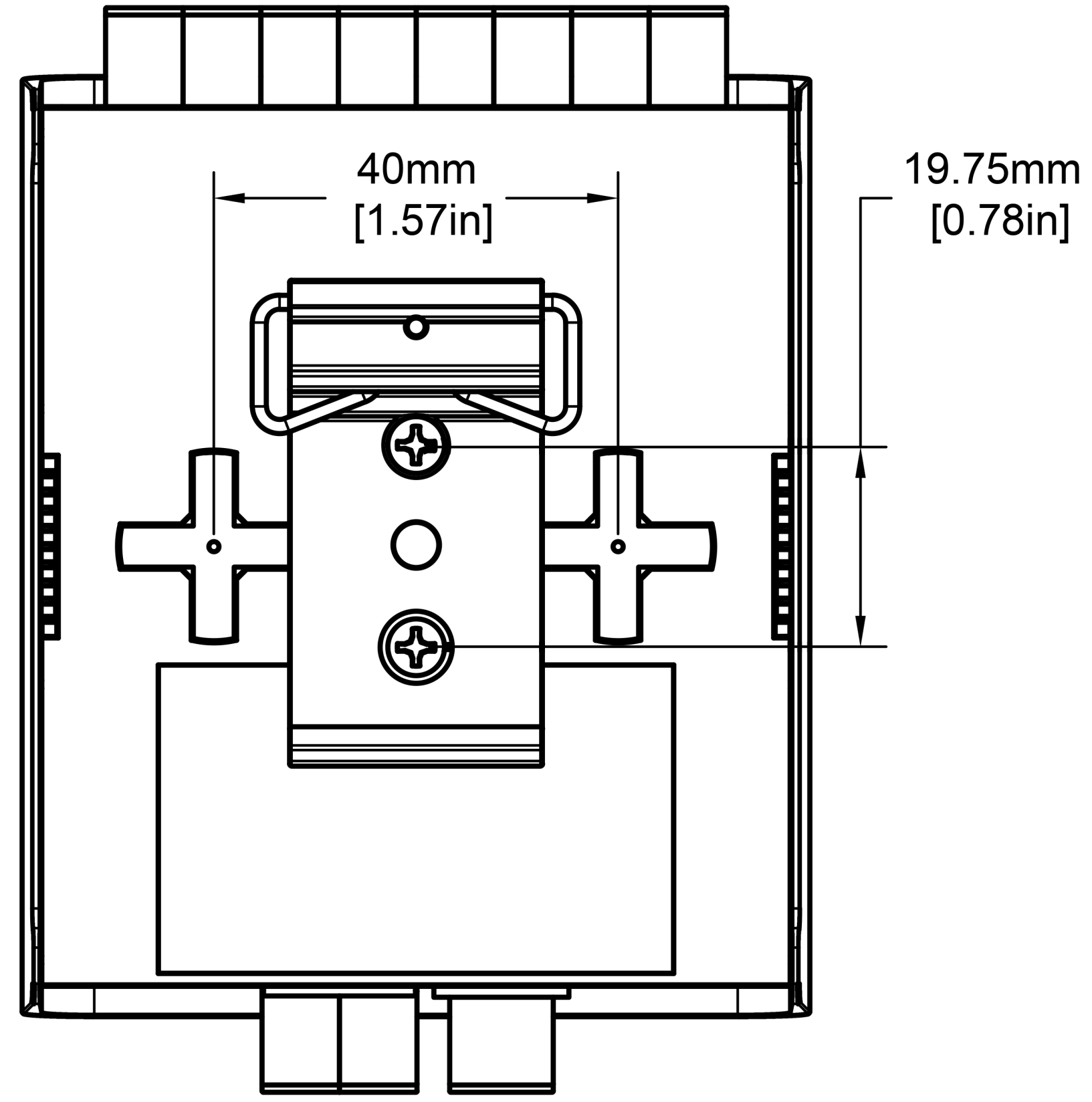


ISOMETRIC ACTUAL SIZE

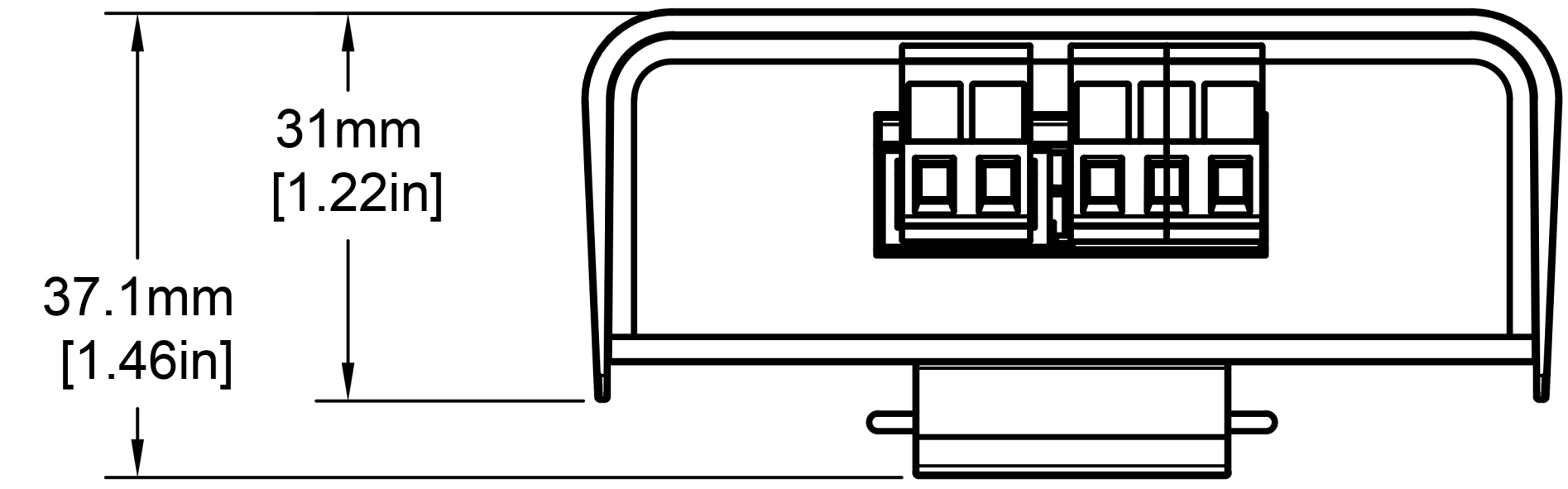
FRONT VIEW



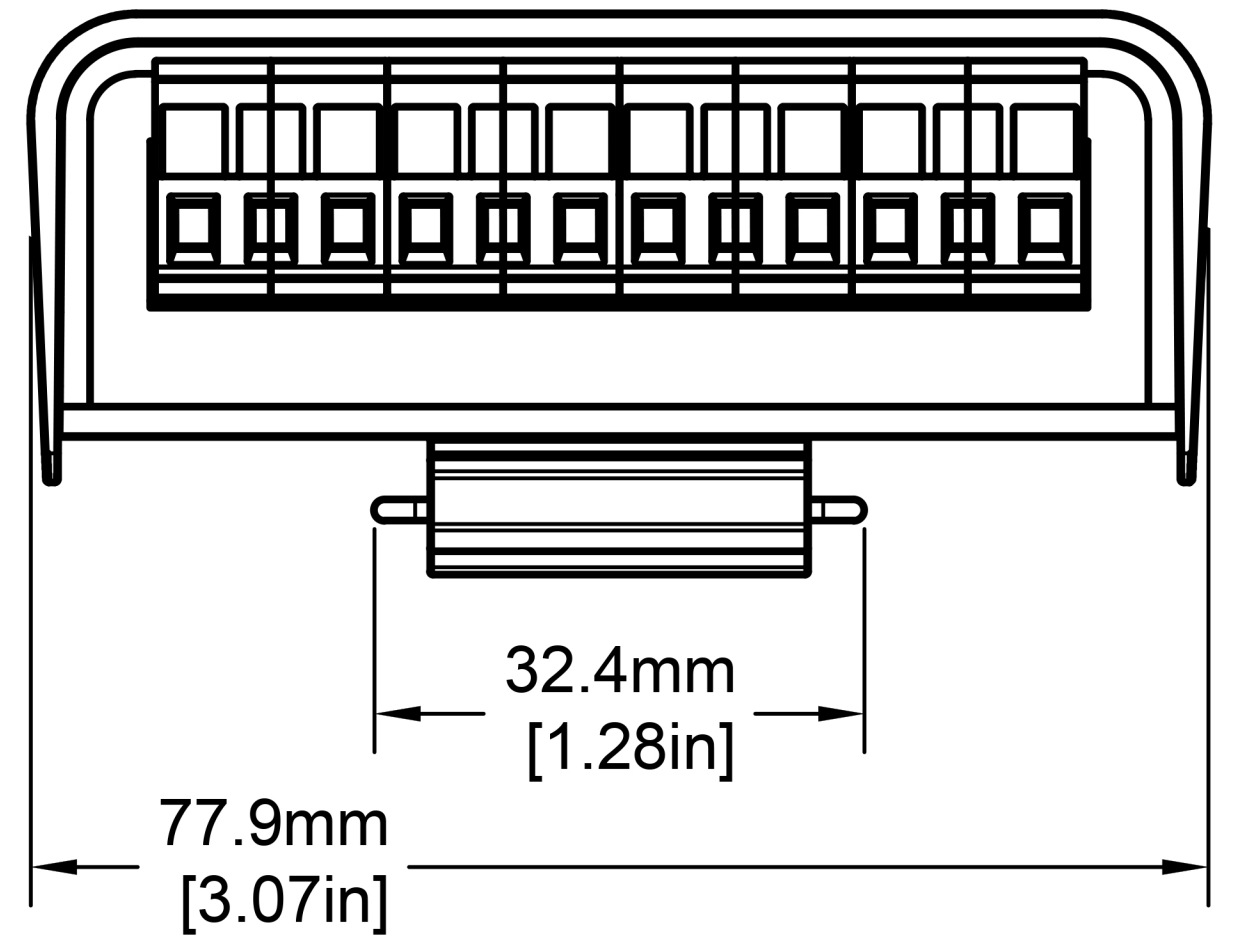
BACK VIEW



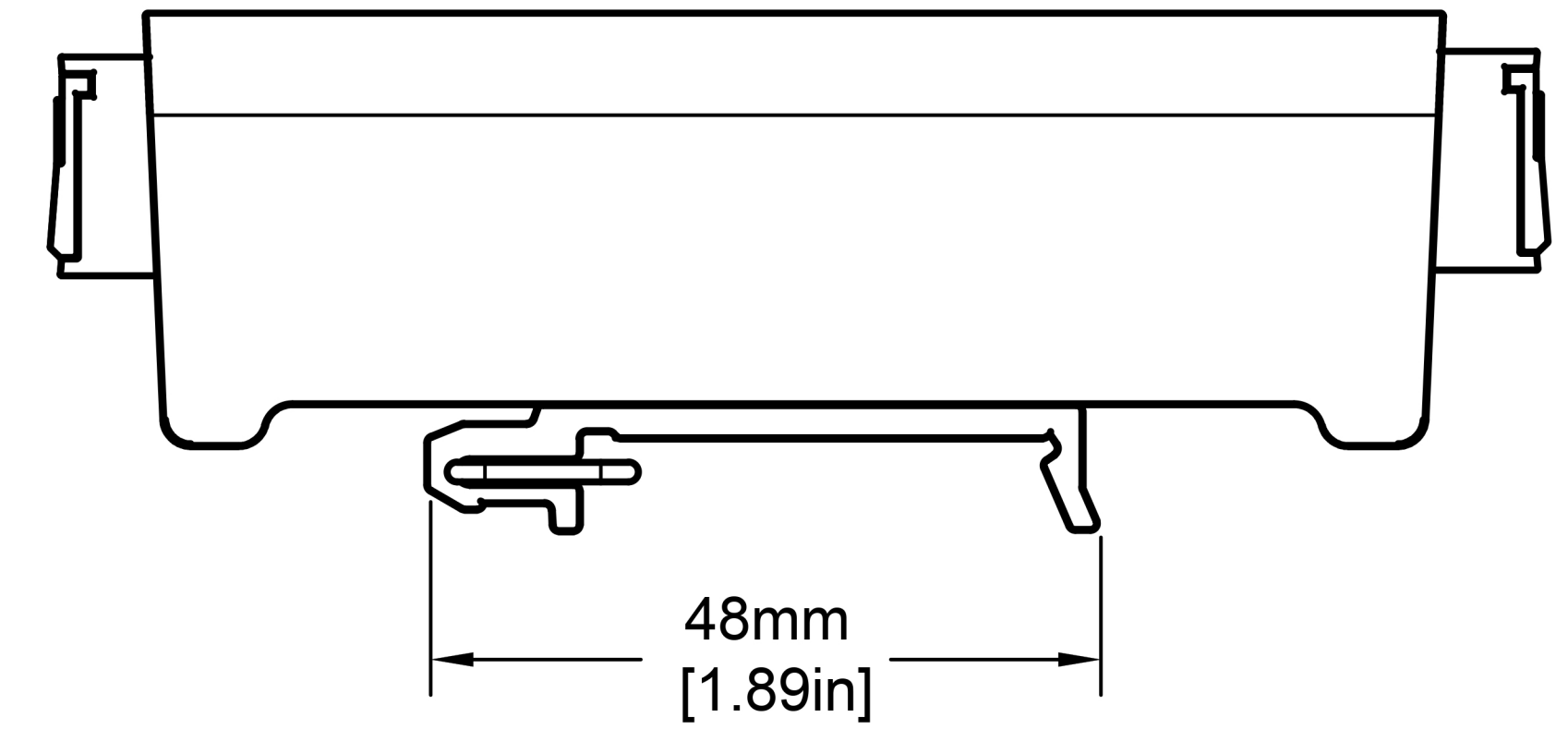
BOTTOM VIEW



TOP VIEW



SIDE VIEW



1	RELEASED FOR PRODUCTION	ROC	09-02-21				
ISSUE	REVISION	DCN / INITIAL	DATE	ISSUE	REVISION	DCN / INITIAL	DATE

MATERIAL & FINISH  
**PLASTIC, BLACK**

**TOLERANCES**  
(UNLESS OTHERWISE SPECIFIED)  
0.1 UP TO 6mm IS ±0.05  
OVER 6 UP TO 30mm IS ±0.10  
OVER 30MM UP TO 120mm IS ±0.25  
OVER 120MM TO 400mm IS ±0.50  
OVER 400mm IS ±1.00  
ANGULAR IS ±1/2°

	INITIAL	DATE
DRAWN	ROC	09-02-21
CHECKED	JT	09-02-21
SCALE	1:1	
TITLE		

THIS DOCUMENT AND THE DESIGN IT CONTAINS IS EXCLUSIVELY THE PROPERTY OF ENTTEC AND IS THE SUBJECT OF COPYRIGHT

DRAWN TO AS1100  
ALL DIMENSIONS IN MILLIMETERS  
DO NOT SCALE - IF IN DOUBT ASK

**ENTTEC**  
enttec.com

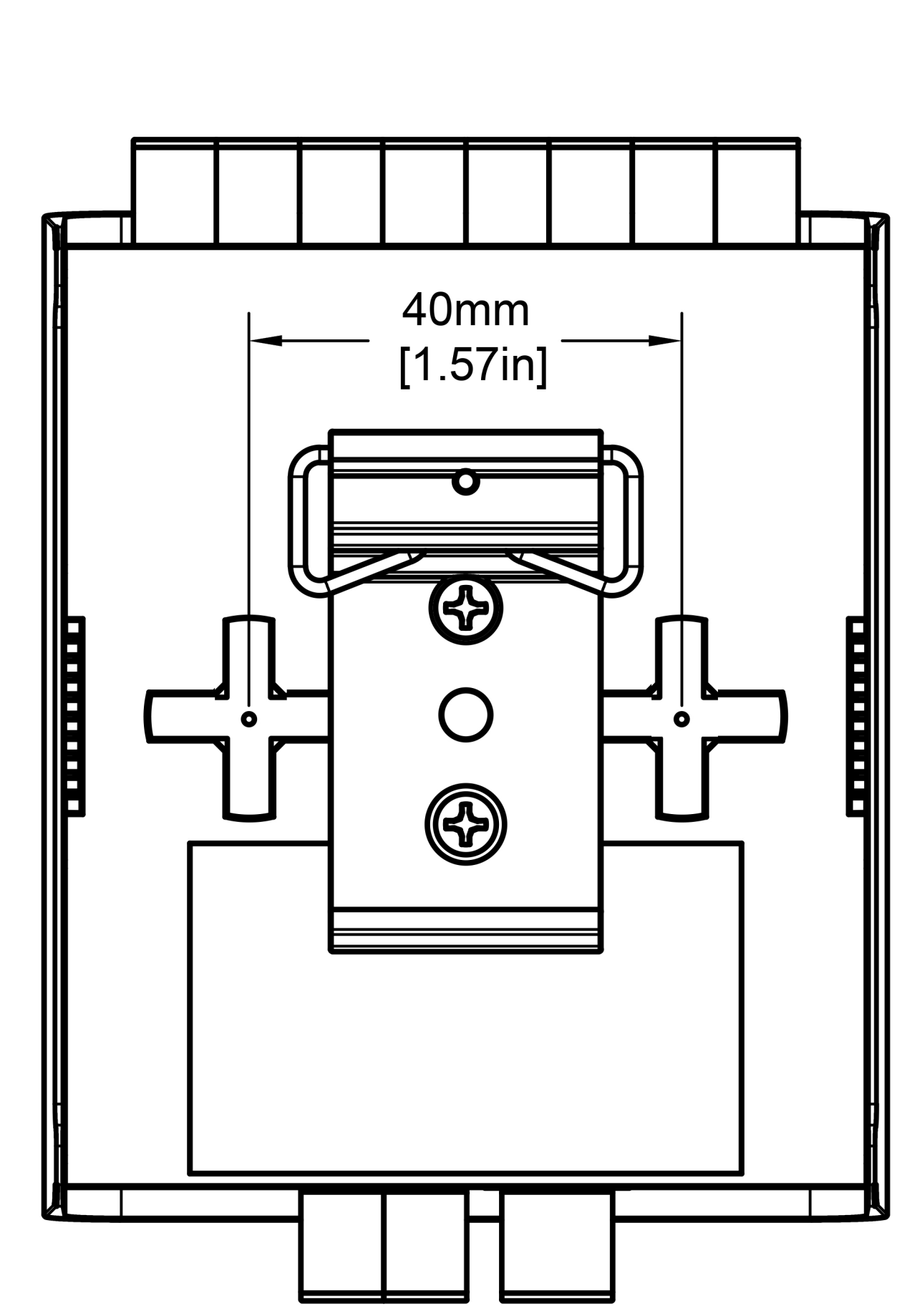
**DIN RDS4 EXTERIOR DIMENSIONS**

A3

ISOMETRIC ACTUAL SIZE

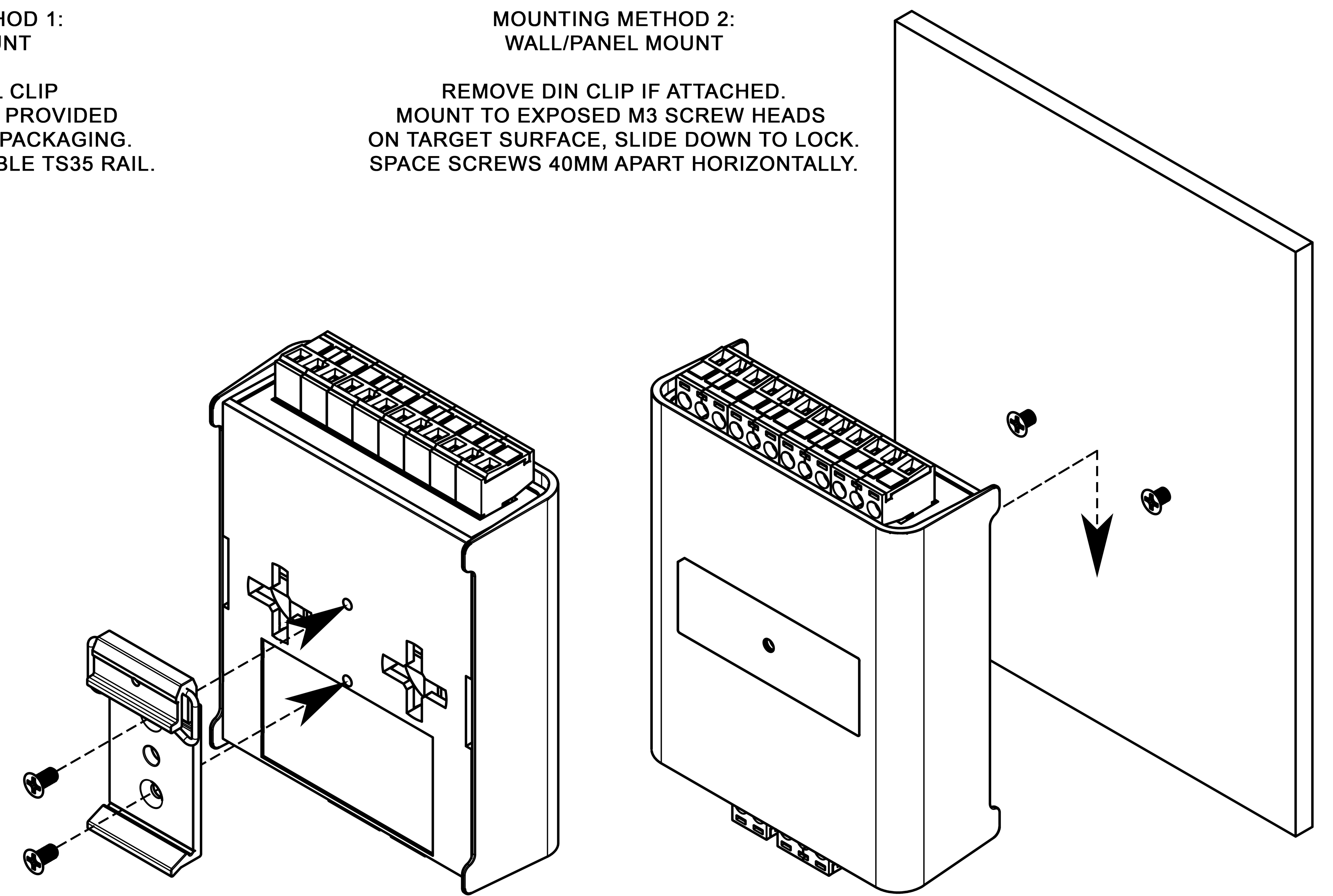
**MOUNTING METHOD 1:  
DIN RAIL MOUNT**

ATTACH DIN RAIL CLIP  
USING THE 2 SCREWS PROVIDED  
WITHIN THE PRODUCT PACKAGING.  
ATTACH UNIT TO A SUITABLE TS35 RAIL.



**MOUNTING METHOD 2:  
WALL/PANEL MOUNT**

REMOVE DIN CLIP IF ATTACHED.  
MOUNT TO EXPOSED M3 SCREW HEADS  
ON TARGET SURFACE, SLIDE DOWN TO LOCK.  
SPACE SCREWS 40MM APART HORIZONTALLY.



1	RELEASED FOR PRODUCTION	ROC	08-02-21						
ISSUE	REVISION	DCN / INITIAL	DATE	ISSUE	REVISION	DCN / INITIAL	DATE		

MATERIAL & FINISH		INITIAL	DATE
PLASTIC, BLACK		ROC	08-02-21
<b>TOLERANCES</b> (UNLESS OTHERWISE SPECIFIED) 0.1 UP TO 6mm IS ±0.05 OVER 6 UP TO 30mm IS ±0.10 OVER 30MM UP TO 120mm IS ±0.25 OVER 120MM TO 400mm IS ±0.50 OVER 400mm IS ±1.00 ANGULAR IS ±1/2°	CHECKED	JT	09-02-21
	SCALE	1:1	
	TITLE	RDS4 MOUNTING DIAGRAMS	

THIS DOCUMENT AND THE DESIGN IT CONTAINS IS EXCLUSIVELY THE PROPERTY OF ENTTEC AND IS THE SUBJECT OF COPYRIGHT  
 DRAWN TO AS1100  
 ALL DIMENSIONS IN MILLIMETERS  
 DO NOT SCALE - IF IN DOUBT ASK

**ENTTEC**  
 enttec.com